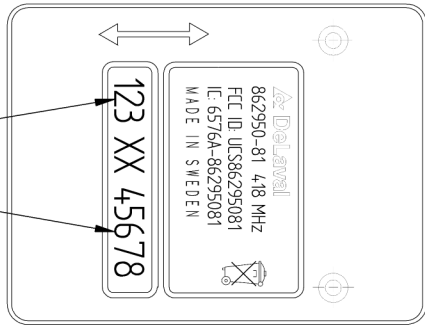
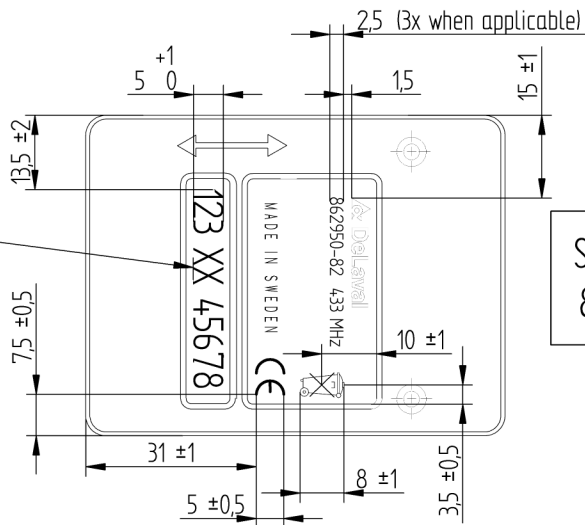


SECTION A-A
862950-80



Serial number acc. to
Test instruction 873704

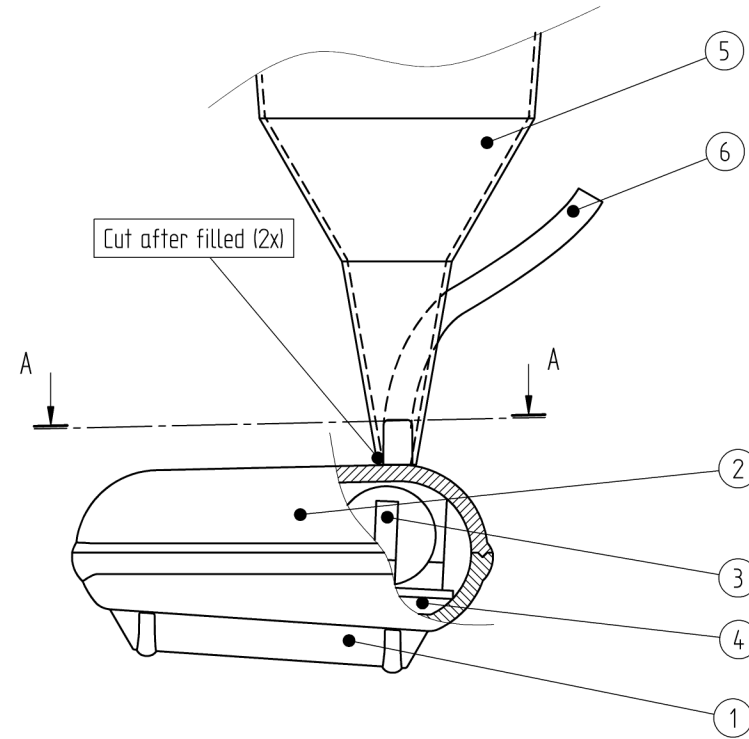
SECTION A-A
862950-81



Year code, month code
acc. to 956227

Engraving depth 0,5

SECTION A-A
862950-82



Rev. No. 2	Date 2014-09-26	Revised LE	Checked	Appr. LE
---------------	--------------------	---------------	---------	-------------

FCC id and IC number added for 862950 81

Article No.	Name/Designation	Material (final condition) Blank	Colour
Title AKTIVITETSMÄTARE 2 KPL ACTIVITY METER 2 CPL			
First angle projection	Scale 1:1	Dept. ATK	Date 2011-11-08
Method ISO E	Class No.	Drawn LE	Checked LE
Sheet No. 1		No. of sheets 1	Revision No.
Document No.			862950

Cadmodel: 1261923472

CAD

