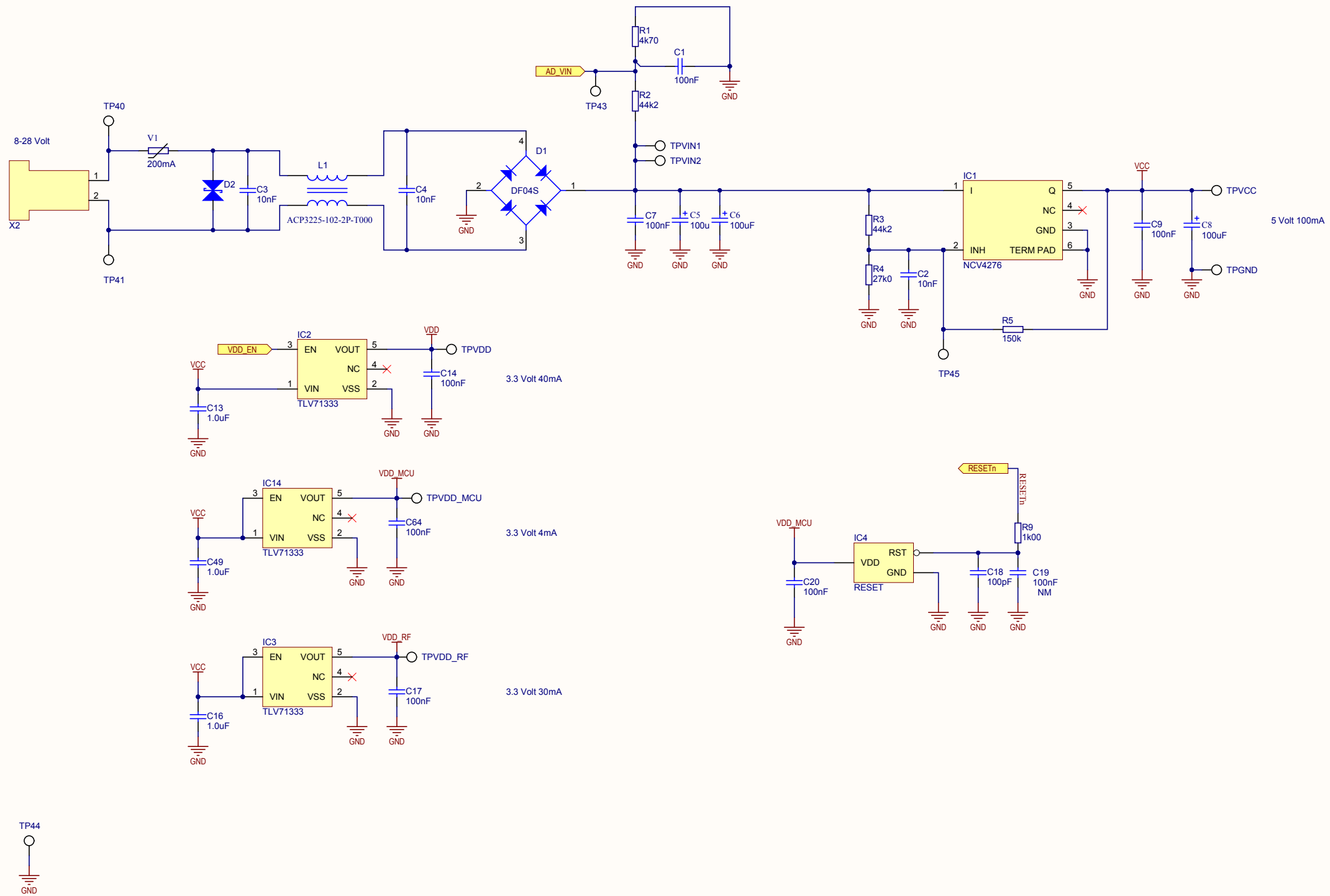
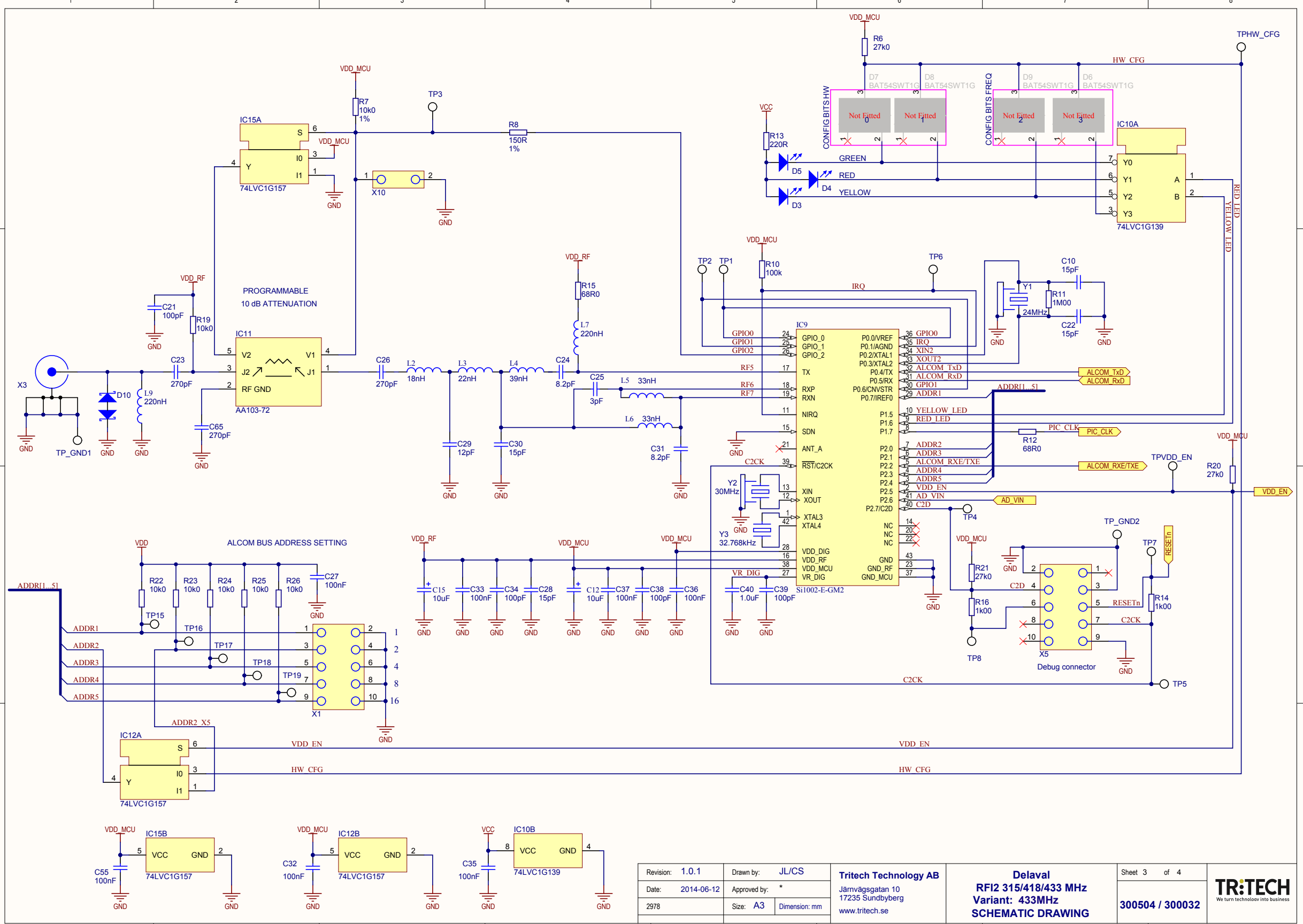


Revision: 1.0.1	Drawn by: JL/CS	Tritech Technology AB Järnvägsgatan 10 17235 Sundbyberg www.tritech.se	Delaval RFI2 315/418/433 MHz Variant: 433MHz SCHEMATIC DRAWING	Sheet 1 of 4	TR:TECH We turn technology into business
Date: 2014-06-12	Approved by: *			300504 / 300032	
2978	Size: A3	Dimension: mm			



Revision: 1.0.1	Drawn by: JL/CS	Tritech Technology AB Järnvägsgatan 10 17235 Sundbyberg www.tritech.se	Delaval RFI2 315/418/433 MHz Variant: 433MHz SCHEMATIC DRAWING	Sheet 2 of 4	TR:TECH We turn technology into business 300504 / 300032
Date: 2014-06-12	Approved by: *				
2978	Size: A3	Dimension: mm			



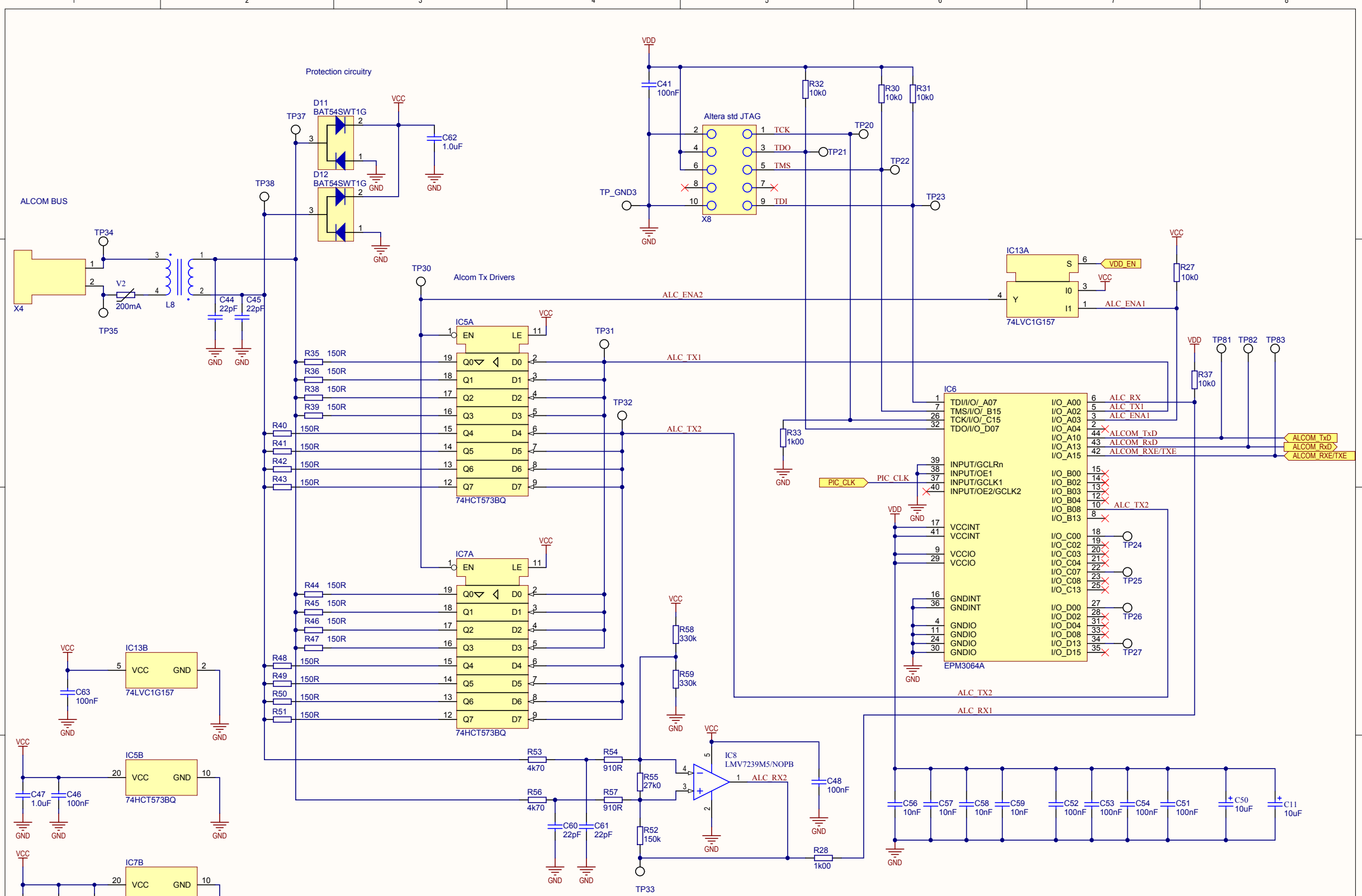
Revision:	1.0.1	Drawn by:	JL/CS
Date:	2014-06-12	Approved by:	*
2978		Size:	A3
		Dimension:	mm

Tritech Technology AB
 Järnvägsgatan 10
 17235 Sundbyberg
 www.tritech.se

Delaval
RFI2 315/418/433 MHz
Variante: 433MHz
SCHEMATIC DRAWING

Sheet 3 of 4
300504 / 300032





Revision: 1.0.1	Drawn by: JL/CS
Date: 2014-06-12	Approved by: *
2978	Size: A3 Dimension: mm

Tritech Technology AB
 Järnvägsgatan 10
 17235 Sundbyberg
 www.tritech.se

Delaval
 RF12 315/418/433 MHz
 Variant: 433MHz
 SCHEMATIC DRAWING

Sheet 4 of 4
 300504 / 300032

