

### Appendix 3. SAR Distribution Scans

This appendix contains SAR distribution scans which are not included in the total number of pages for this report.

Scan Reference Number	Title
SCN/87471JD03A/001	Touch Left Antenna Retracted GSM CH189
SCN/87471JD03A/002	Touch Left Antenna Extended GSM CH189
SCN/87471JD03A/003	Tilt Left Antenna Retracted GSM 189
SCN/87471JD03A/004	Tilt Left Antenna Extended GSM 189
SCN/87471JD03A/005	Touch Right Antenna Retracted GSM CH189
SCN/87471JD03A/006	Touch Right Antenna Extended GSM CH189
SCN/87471JD03A/007	Tilt Right Antenna Retracted GSM CH189
SCN/87471JD03A/008	Tilt Right Antenna Extended GSM CH189
SCN/87471JD03A/009	Touch Right Antenna Retracted GPRS CH189
SCN/87471JD03A/010	Touch Right Antenna Retracted EDGE CH189
SCN/87471JD03A/011	Front of EUT Facing Phantom with Antenna Retracted GPRS CH189
SCN/87471JD03A/012	Front of EUT Facing Phantom with Antenna Extended GPRS CH189
SCN/87471JD03A/013	Back of EUT Facing Phantom with Antenna Retracted GPRS CH189
SCN/87471JD03A/014	Back of EUT Facing Phantom with Antenna Extended GPRS CH189
SCN/87471JD03A/015	Left Hand Side of EUT Facing Phantom with Antenna Retracted GPRS CH189
SCN/87471JD03A/016	Left Hand Side of EUT Facing Phantom with Antenna Extended GPRS CH189
SCN/87471JD03A/017	Right Hand Side of EUT Facing Phantom with Antenna Retracted GPRS CH189
SCN/87471JD03A/018	Right Hand Side of EUT Facing Phantom with Antenna Extended GPRS CH189
SCN/87471JD03A/019	Bottom of EUT Facing Phantom with Antenna Retracted GPRS CH189
SCN/87471JD03A/020	Back of EUT Facing Phantom with Antenna Retracted with PHF GPRS CH189
SCN/87471JD03A/021	Back of EUT Facing Phantom with Antenna Retracted EDGE CH189
SCN/87471JD03A/022	Touch Left Antenna Retracted PCS CH660
SCN/87471JD03A/023	Touch Left Antenna Extended PCS CH660
SCN/87471JD03A/024	Tilt Left Antenna Retracted PCS CH660
SCN/87471JD03A/025	Tilt Left Antenna Extended PCS CH660
SCN/87471JD03A/026	Touch Right Antenna Retracted PCS CH660
SCN/87471JD03A/027	Touch Right Antenna Extended PCS CH660
SCN/87471JD03A/028	Tilt Right Antenna Retracted PCS CH660
SCN/87471JD03A/029	Tilt Right Antenna Extended PCS CH660
SCN/87471JD03A/030	Touch Right Antenna Extended GPRS CH660
SCN/87471JD03A/031	Touch Right Antenna Extended EDGE CH660

**SAR Distribution Scans (Continued)**

Scan Reference Number	Title
SCN/87471JD03A/032	Front of EUT Facing Phantom with Antenna Retracted GPRS CH660
SCN/87471JD03A/033	Front of EUT Facing Phantom with Antenna Extended GPRS CH660
SCN/87471JD03A/034	Back of EUT Facing Phantom with Antenna Retracted GPRS CH660
SCN/87471JD03A/035	Back of EUT Facing Phantom with Antenna Extended GPRS CH660
SCN/87471JD03A/036	Left Hand Side of EUT Facing Phantom with Antenna Retracted GPRS CH660
SCN/87471JD03A/037	Left Hand Side of EUT Facing Phantom with Antenna Extended GPRS CH660
SCN/87471JD03A/038	Right Hand Side of EUT Facing Phantom with Antenna Retracted GPRS CH660
SCN/87471JD03A/039	Right Hand Side of EUT Facing Phantom with Antenna Extended GPRS CH660
SCN/87471JD03A/040	Bottom of EUT Facing Phantom with Antenna Retracted GPRS CH660
SCN/87471JD03A/041	Back of EUT Facing Phantom with Antenna Retracted with PHF GPRS CH660
SCN/87471JD03A/042	Back of EUT Facing Phantom with Antenna Retracted EDGE CH660
SCN/87471JD03A/043	Touch Left Antenna Retracted UMTS FDD V CH4183
SCN/87471JD03A/044	Touch Left Antenna Extended UMTS FDD V CH4183
SCN/87471JD03A/045	Tilt Left Antenna Retracted UMTS FDD V CH4183
SCN/87471JD03A/046	Tilt Left Antenna Extended UMTS FDD V CH4183
SCN/87471JD03A/047	Touch Right Antenna Retracted UMTS FDD V CH4183
SCN/87471JD03A/048	Touch Right Antenna Extended UMTS FDD V CH4183
SCN/87471JD03A/049	Tilt Right Antenna Retracted UMTS FDD V CH4183
SCN/87471JD03A/050	Tilt Right Antenna Extended UMTS FDD V CH4183
SCN/87471JD03A/051	Front of EUT Facing Phantom with Antenna Retracted UMTS FDD V CH4183
SCN/87471JD03A/052	Front of EUT Facing Phantom with Antenna Extended UMTS FDD V CH4183
SCN/87471JD03A/053	Back of EUT Facing Phantom with Antenna Retracted UMTS FDD V CH4183
SCN/87471JD03A/054	Back of EUT Facing Phantom with Antenna Extended UMTS FDD V CH4183
SCN/87471JD03A/055	Left Hand Side of EUT Facing Phantom with Antenna Retracted UMTS FDD V CH4183
SCN/87471JD03A/056	Left Hand Side of EUT Facing Phantom with Antenna Extended UMTS FDD V CH4183
SCN/87471JD03A/057	Right Hand Side of EUT Facing Phantom with Antenna Retracted UMTS FDD V CH4183
SCN/87471JD03A/058	Right Hand Side of EUT Facing Phantom with Antenna Extended UMTS FDD V CH4183
SCN/87471JD03A/059	Bottom of EUT Facing Phantom with Antenna Retracted UMTS FDD V CH4183

**SAR Distribution Scans (Continued)**

Scan Reference Number	Title
SCN/87471JD03A/060	Back of EUT Facing Phantom with Antenna Retracted with PHF UMTS FDD V CH4183
SCN/87471JD03A/061	Back of EUT Facing Phantom with Antenna Retracted UMTS FDD V + HSDPA CH4183
SCN/87471JD03A/062	Back of EUT Facing Phantom with Antenna Retracted UMTS FDD V + HSPA CH4183
SCN/87471JD03A/063	Touch Left Antenna Retracted WLAN 802.11b 1Mbps CH6
SCN/87471JD03A/064	Touch Left Antenna Extended WLAN 802.11b 1Mbps CH6
SCN/87471JD03A/065	Tilt Left Antenna Retracted WLAN 802.11b 1Mbps CH6
SCN/87471JD03A/066	Tilt Left Antenna Extended WLAN 802.11b 1Mbps CH6
SCN/87471JD03A/067	Touch Right Antenna Retracted WLAN 802.11b 1Mbps CH6
SCN/87471JD03A/068	Touch Right Antenna Extended WLAN 802.11b 1Mbps CH6
SCN/87471JD03A/069	Tilt Right Antenna Retracted WLAN 802.11b 1Mbps CH6
SCN/87471JD03A/070	Tilt Right Antenna Extended WLAN 802.11b 1Mbps CH6
SCN/87471JD03A/071	Touch Left Antenna Retracted WLAN 802.11g 6Mbps CH6
SCN/87471JD03A/072	Touch Left Antenna Retracted WLAN 802.11n 6.5Mbps CH6
SCN/87471JD03A/073	EUT Facing Phantom Antenna Retracted WLAN 802.11b 1Mbps CH6
SCN/87471JD03A/074	EUT Facing Phantom Antenna Extended WLAN 802.11b 1Mbps CH6
SCN/87471JD03A/075	Back of EUT Facing Phantom Antenna Retracted WLAN 802.11b 1Mbps CH6
SCN/87471JD03A/076	Back of EUT Facing Phantom Antenna Extended WLAN 802.11b 1Mbps CH6
SCN/87471JD03A/077	Left Hand Side of EUT Facing Phantom Antenna Retracted WLAN 802.11b 1Mbps CH6
SCN/87471JD03A/078	Left Hand Side of EUT Facing Phantom Antenna Extended WLAN 802.11b 1Mbps CH6
SCN/87471JD03A/079	Right Hand Side of EUT Facing Phantom Antenna Retracted WLAN 802.11b 1Mbps CH6
SCN/87471JD03A/080	Right Hand Side of EUT Facing Phantom Antenna Extended WLAN 802.11b 1Mbps CH6
SCN/87471JD03A/081	Top of EUT Facing Phantom Antenna Retracted WLAN 802.11b 1Mbps CH6
SCN/87471JD03A/082	Back of EUT Facing Phantom Antenna Retracted WLAN 802.11g 6Mbps CH6
SCN/87471JD03A/083	Back of EUT Facing Phantom Antenna Retracted WLAN 802.11n 6.5Mbps CH6
SCN/87471JD03A/084	Back of EUT Facing Phantom with PHF Antenna Retracted WLAN 802.11b 1Mbps CH6

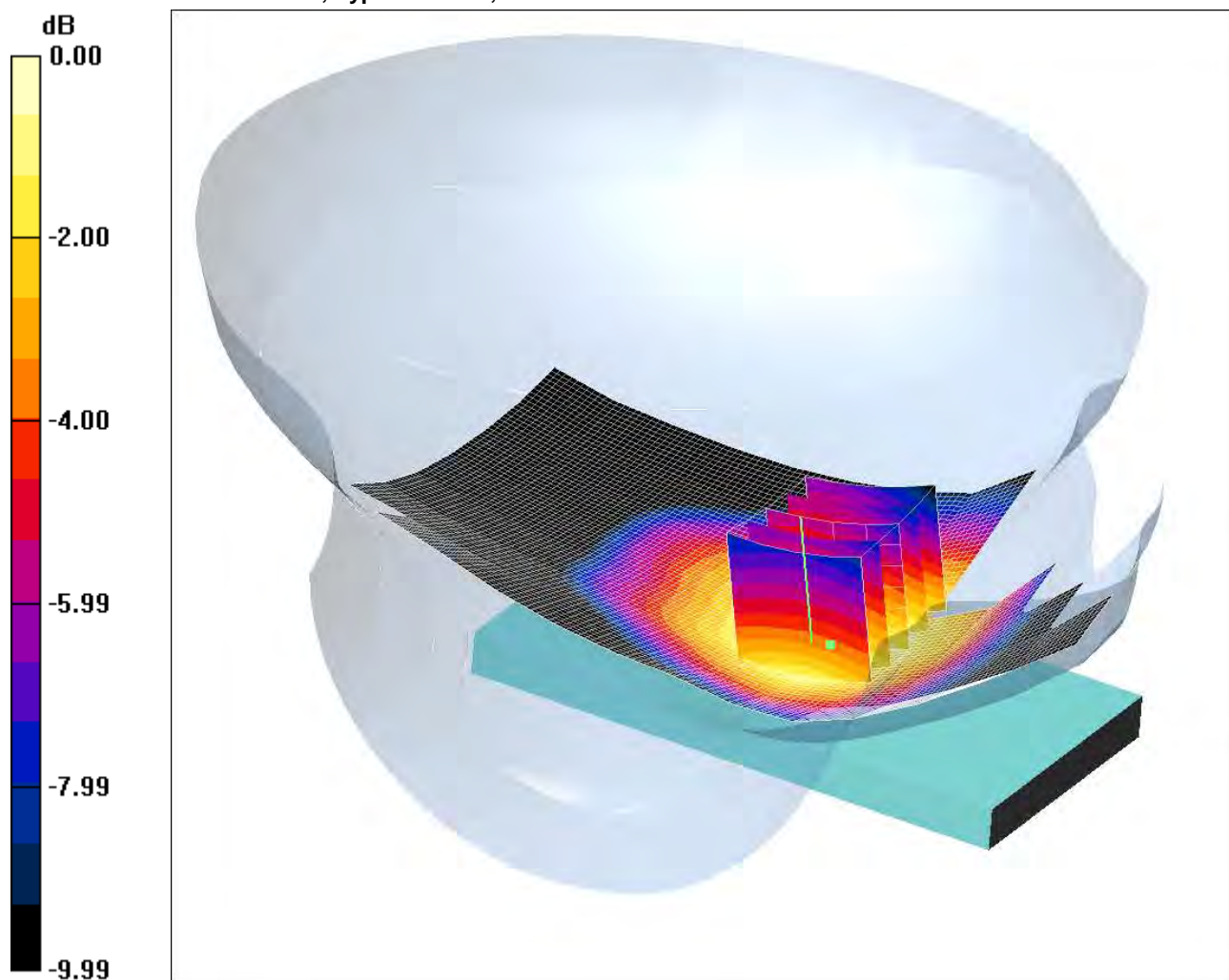
**SAR Distribution Scans (Continued)**

Scan Reference Number	Title
SCN/87471JD03A/085	System Performance Check 900MHz Head 15 05 12
SCN/87471JD03A/086	System Performance Check 900MHz Head 16 05 12
SCN/87471JD03A/087	System Performance Check 900MHz Body 11 05 12
SCN/87471JD03A/088	System Performance Check 900MHz Body 12 05 12
SCN/87471JD03A/089	System Performance Check 900MHz Body 13 05 12
SCN/87471JD03A/090	System Performance Check 900MHz Body 14 05 12
SCN/87471JD03A/091	System Performance Check 1900MHz Head 01 05 12
SCN/87471JD03A/092	System Performance Check 1900MHz Head 16 05 12
SCN/87471JD03A/093	System Performance Check 1900MHz Body 14 05 12
SCN/87471JD03A/094	System Performance Check 1900MHz Body 15 05 12
SCN/87471JD03A/095	System Performance Check 2450MHz Head 17 05 12
SCN/87471JD03A/096	System Performance Check 2450MHz Body 17 05 12
SCN/87471JD03A/097	System Performance Check 2450MHz Body 18 05 12
SCN/87471JD03A/098	System Performance Check 2450MHz Body 19 05 12

SCN/87471JD03A/001: Touch Left Antenna Retracted GSM CH189

Date: 16/05/2012

DUT: Panasonic D21BR7; Type: D21BR7; Serial: 351808050018762



0 dB = 0.329mW/g

Communication System: GSM 850 MHz; Frequency: 836.4 MHz; Duty Cycle: 1:8.3

Medium: 900 MHz HSL Medium parameters used (interpolated):  $f = 836.4$  MHz;  $\sigma = 0.896$  mho/m;  $\epsilon_r = 43.5$ ;  $\rho = 1000$  kg/m<sup>3</sup>

Phantom section: Left Section

DASY4 Configuration:

- Probe: ET3DV6 - SN1528; ConvF(5.85, 5.85, 5.85); Calibrated: 18/07/2011

- Sensor-Surface: 4mm (Mechanical Surface Detection)

- Electronics: DAE3 Sn432; Calibrated: 02/05/2012

- Phantom: SAM 12a (Site 57); Type: SAM 4.0; Serial: TP:1020

- Measurement SW: DASY4, V4.5 Build 19; Postprocessing SW: SEMCAD, V1.8 Build 145

**Touch Left Antenna Retracted - Middle/Area Scan (71x121x1):** Measurement grid: dx=15mm, dy=15mm

Maximum value of SAR (interpolated) = 0.325 mW/g

**Touch Left Antenna Retracted - Middle/Zoom Scan (5x5x7) 2 (5x5x7)/Cube 0:** Measurement grid: dx=8mm, dy=8mm, dz=5mm

Reference Value = 6.98 V/m; Power Drift = 0.028 dB

Peak SAR (extrapolated) = 0.384 W/kg

**SAR(1 g) = 0.315 mW/g; SAR(10 g) = 0.238 mW/g**

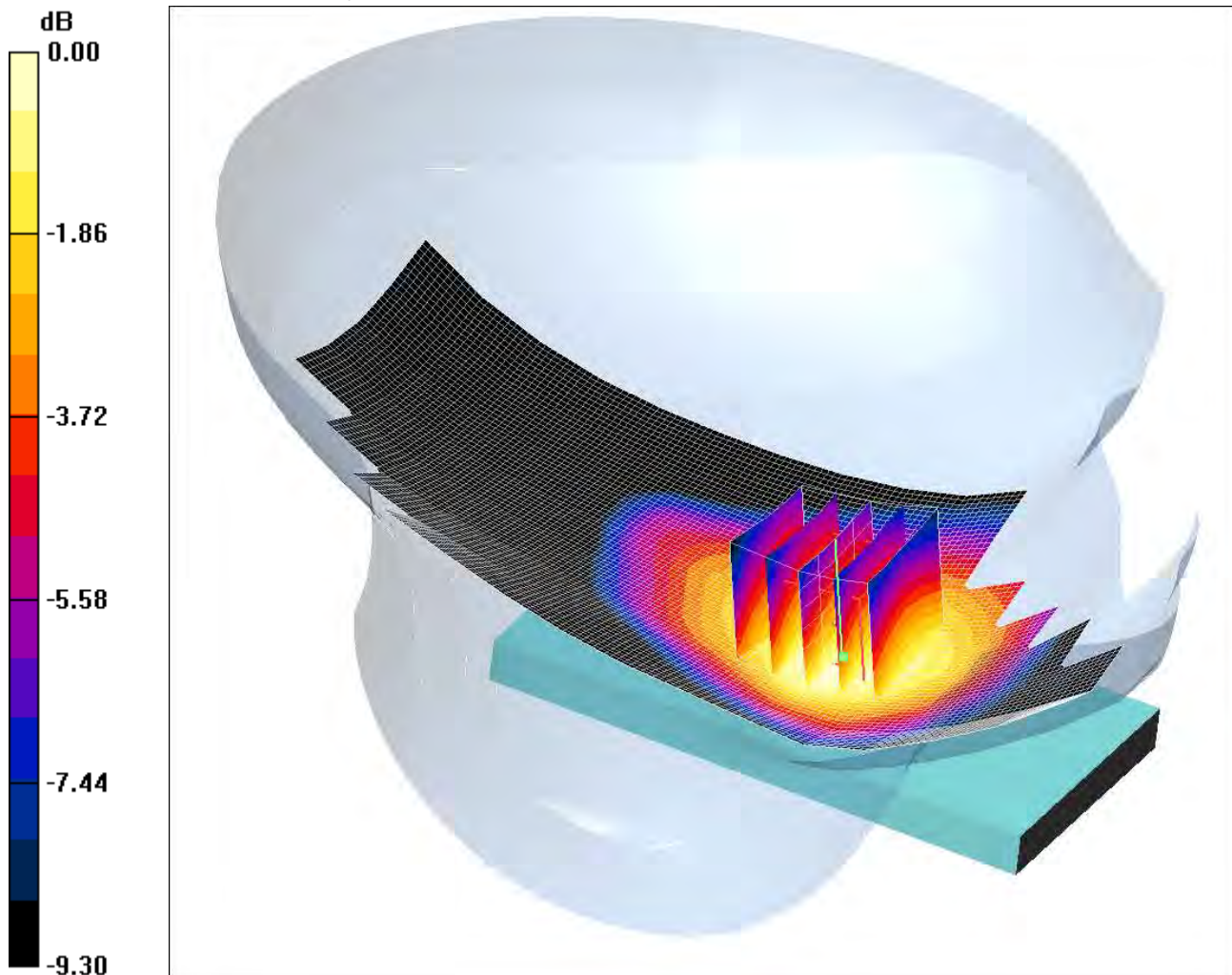
Maximum value of SAR (measured) = 0.329 mW/g



SCN/87471JD03A/002: Touch Left Antenna Extended GSM CH189

Date: 16/05/2012

DUT: Panasonic D21BR7; Type: D21BR7; Serial: 351808050018762



0 dB = 0.310mW/g

Communication System: GSM 850 MHz; Frequency: 836.4 MHz; Duty Cycle: 1:8.3

Medium: 900 MHz HSL Medium parameters used (interpolated):  $f = 836.4$  MHz;  $\sigma = 0.896$  mho/m;  $\epsilon_r = 43.5$ ;  $\rho = 1000$  kg/m<sup>3</sup>

Phantom section: Left Section

DASY4 Configuration:

- Probe: ET3DV6 - SN1528; ConvF(5.85, 5.85, 5.85); Calibrated: 18/07/2011

- Sensor-Surface: 4mm (Mechanical Surface Detection)

- Electronics: DAE3 Sn432; Calibrated: 02/05/2012

- Phantom: SAM 12a (Site 57); Type: SAM 4.0; Serial: TP:1020

- Measurement SW: DASY4, V4.5 Build 19; Postprocessing SW: SEMCAD, V1.8 Build 145

**Touch Left Antenna Extended - Middle 2/Area Scan (71x141x1):** Measurement grid: dx=15mm, dy=15mm

Maximum value of SAR (interpolated) = 0.314 mW/g

**Touch Left Antenna Extended - Middle 2/Zoom Scan (5x5x7) 2 (5x5x7)/Cube 0:** Measurement grid: dx=8mm, dy=8mm, dz=5mm

Reference Value = 7.55 V/m; Power Drift = 0.028 dB

Peak SAR (extrapolated) = 0.371 W/kg

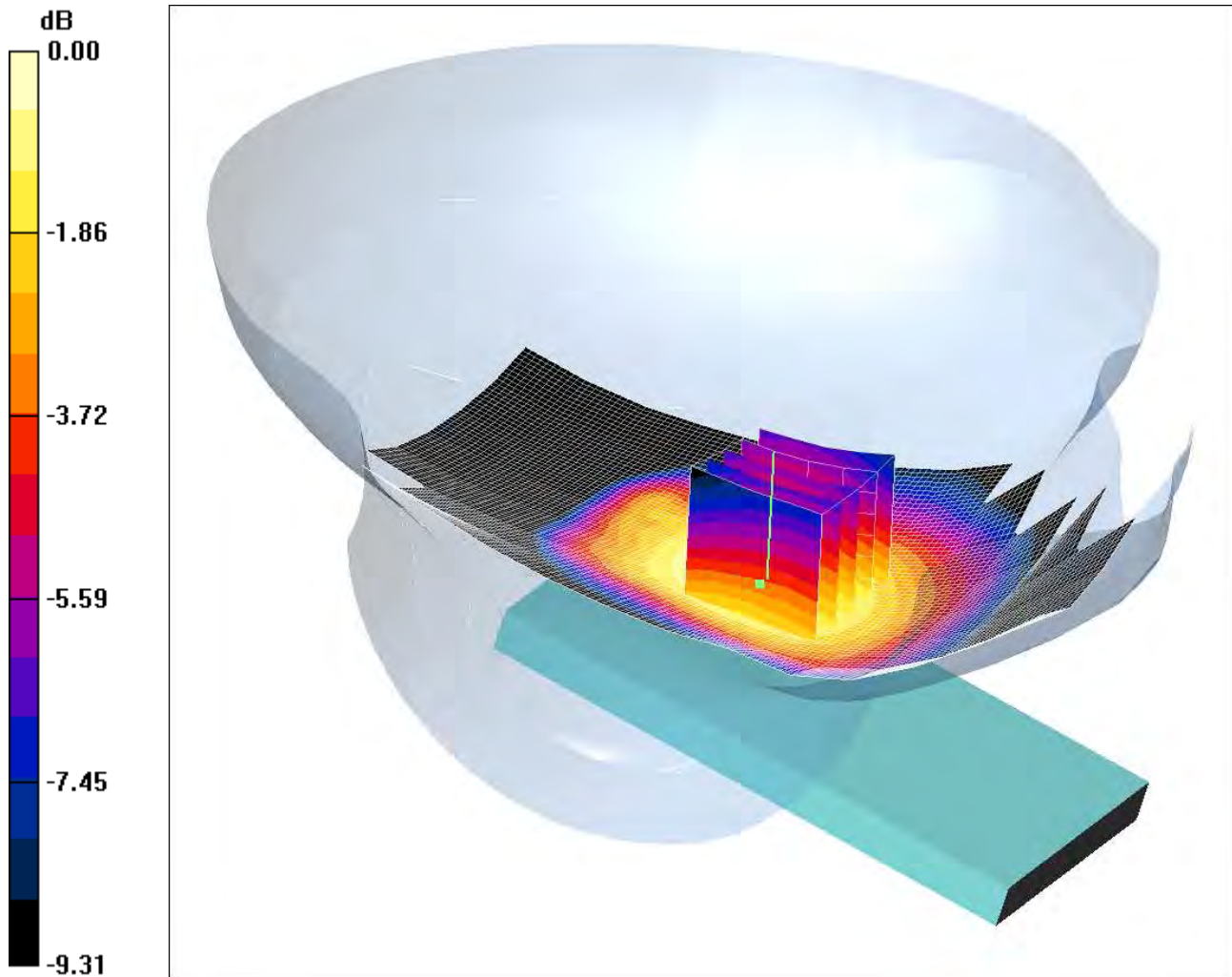
**SAR(1 g) = 0.296 mW/g; SAR(10 g) = 0.221 mW/g**

Maximum value of SAR (measured) = 0.310 mW/g

SCN/87471JD03A/003: Tilt Left Antenna Retracted GSM 189

Date: 16/05/2012

DUT: Panasonic D21BR7; Type: D21BR7; Serial: 351808050018762



0 dB = 0.261mW/g

Communication System: GSM 850 MHz; Frequency: 836.4 MHz; Duty Cycle: 1:8.3

Medium: 900 MHz HSL Medium parameters used (interpolated):  $f = 836.4$  MHz;  $\sigma = 0.896$  mho/m;  $\epsilon_r = 43.5$ ;  $\rho = 1000$  kg/m<sup>3</sup>

Phantom section: Left Section

DASY4 Configuration:

- Probe: ET3DV6 - SN1528; ConvF(5.85, 5.85, 5.85); Calibrated: 18/07/2011

- Sensor-Surface: 4mm (Mechanical Surface Detection)

- Electronics: DAE3 Sn432; Calibrated: 02/05/2012

- Phantom: SAM 12a (Site 57); Type: SAM 4.0; Serial: TP:1020

- Measurement SW: DASY4, V4.5 Build 19; Postprocessing SW: SEMCAD, V1.8 Build 145

**Tilt Left Antenna Retracted - Middle/Area Scan (71x121x1):** Measurement grid: dx=15mm, dy=15mm

Maximum value of SAR (interpolated) = 0.252 mW/g

**Tilt Left Antenna Retracted - Middle/Zoom Scan (5x5x7) 2 (5x5x7)/Cube 0:** Measurement grid: dx=8mm, dy=8mm, dz=5mm

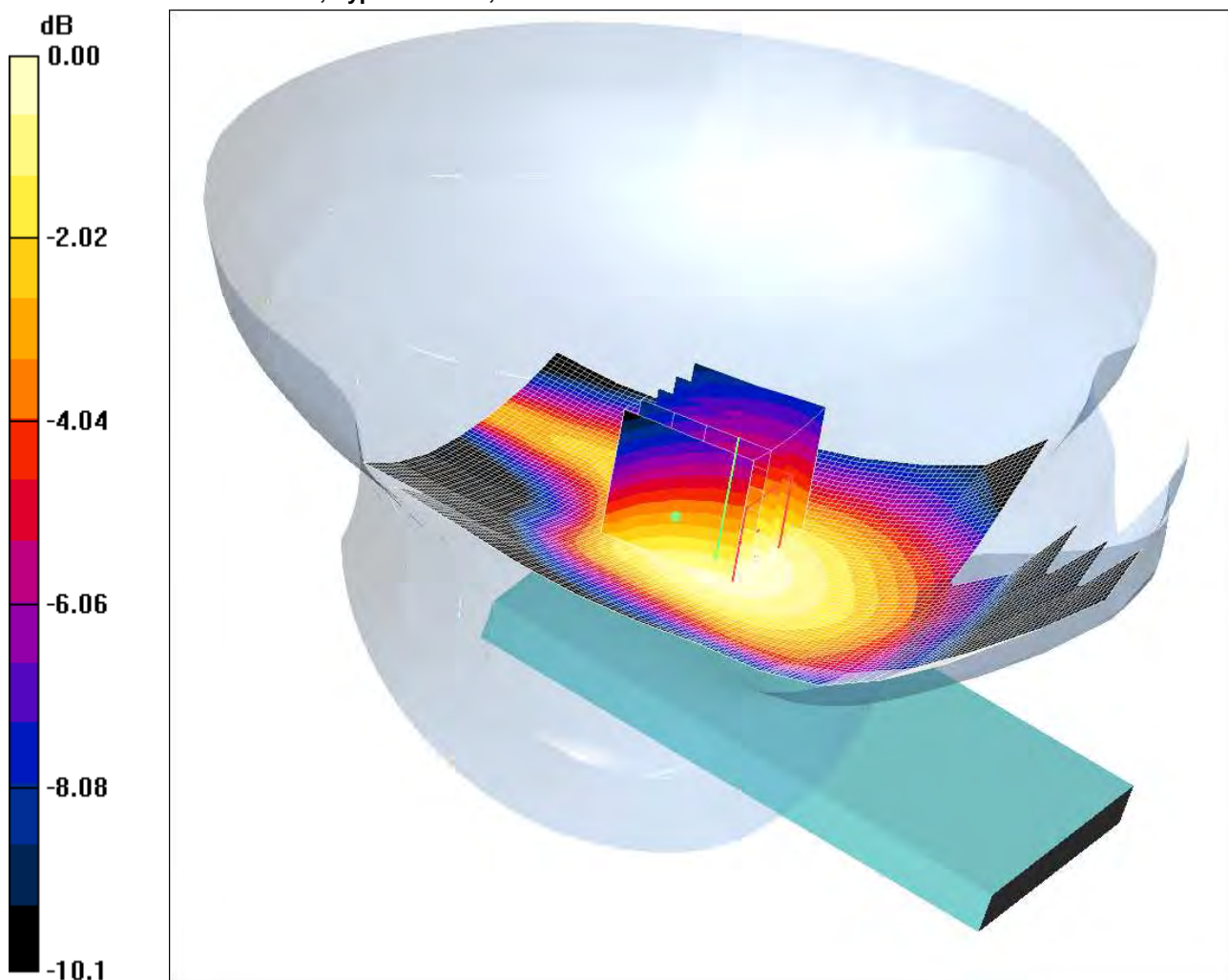
Reference Value = 12.0 V/m; Power Drift = -0.055 dB

Peak SAR (extrapolated) = 0.302 W/kg

**SAR(1 g) = 0.249 mW/g; SAR(10 g) = 0.189 mW/g**

Maximum value of SAR (measured) = 0.261 mW/g

SCN/87471JD03A/004: Tilt Left Antenna Extended GSM 189  
Date: 16/05/2012  
DUT: Panasonic D21BR7; Type: D21BR7; Serial: 351808050018762



0 dB = 0.203mW/g

Communication System: GSM 850 MHz; Frequency: 836.4 MHz; Duty Cycle: 1:8.3  
Medium: 900 MHz HSL Medium parameters used (interpolated):  $f = 836.4$  MHz;  $\sigma = 0.896$  mho/m;  $\epsilon_r = 43.5$ ;  $\rho = 1000$  kg/m<sup>3</sup>

Phantom section: Left Section

DASY4 Configuration:

- Probe: ET3DV6 - SN1528; ConvF(5.85, 5.85, 5.85); Calibrated: 18/07/2011
- Sensor-Surface: 4mm (Mechanical Surface Detection)
- Electronics: DAE3 Sn432; Calibrated: 02/05/2012
- Phantom: SAM 12a (Site 57); Type: SAM 4.0; Serial: TP:1020
- Measurement SW: DASY4, V4.5 Build 19; Postprocessing SW: SEMCAD, V1.8 Build 145

**Tilt Left Antenna Extended - Middle/Area Scan (71x121x1):** Measurement grid: dx=15mm, dy=15mm

Maximum value of SAR (interpolated) = 0.208 mW/g

**Tilt Left Antenna Extended - Middle/Zoom Scan (5x5x7) 2 2 2 (5x5x7)/Cube 0:** Measurement grid: dx=8mm, dy=8mm, dz=5mm

Reference Value = 12.5 V/m; Power Drift = -0.043 dB

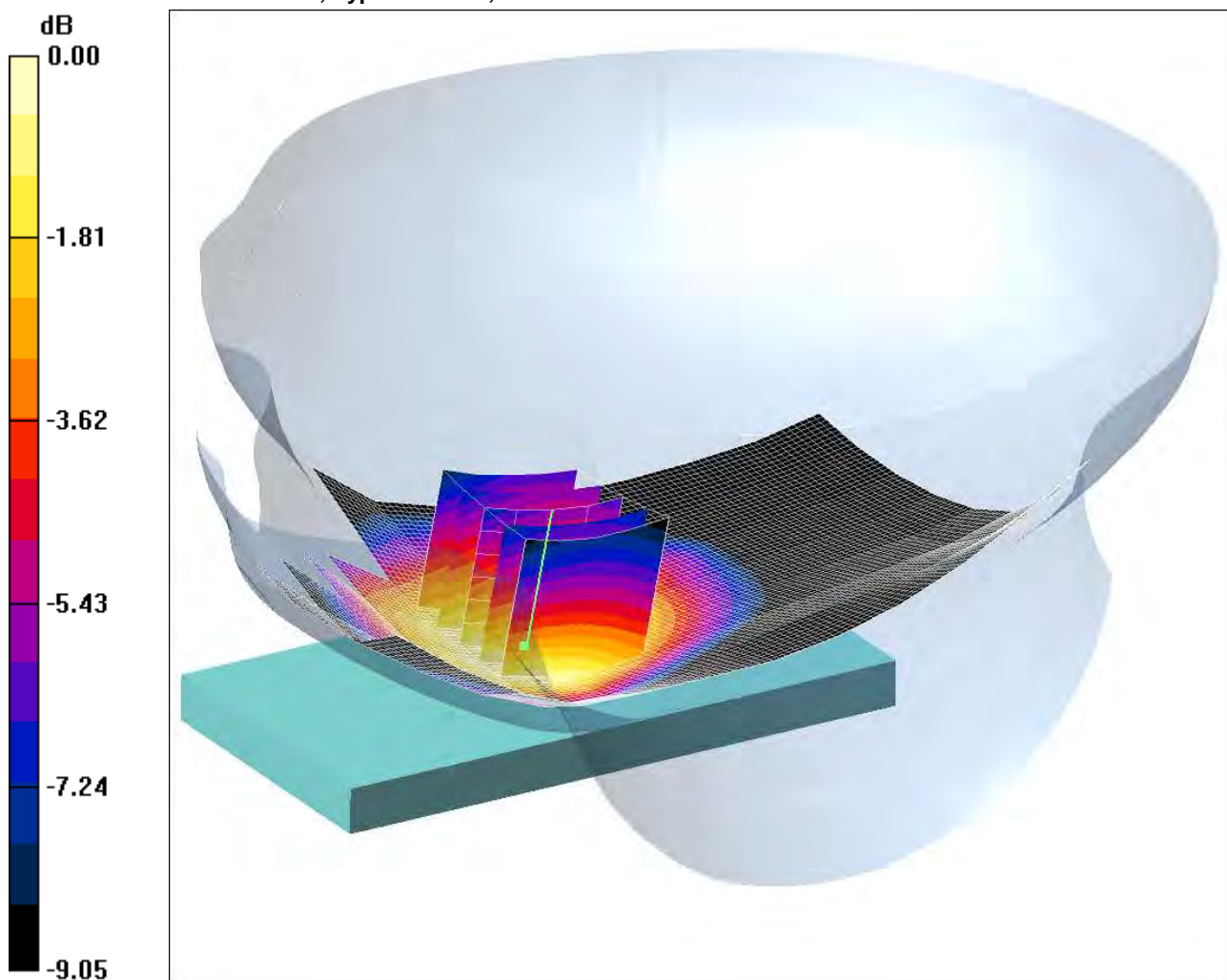
Peak SAR (extrapolated) = 0.247 W/kg

**SAR(1 g) = 0.195 mW/g; SAR(10 g) = 0.146 mW/g**

Maximum value of SAR (measured) = 0.203 mW/g



SCN/87471JD03A/005: Touch Right Antenna Retracted GSM CH189  
Date: 16/05/2012  
DUT: Panasonic D21BR7; Type: D21BR7; Serial: 351808050018762



0 dB = 0.369mW/g

Communication System: GSM 850 MHz; Frequency: 836.4 MHz; Duty Cycle: 1:8.3  
Medium: 900 MHz HSL Medium parameters used (interpolated):  $f = 836.4$  MHz;  $\sigma = 0.896$  mho/m;  $\epsilon_r = 43.5$ ;  $\rho = 1000$  kg/m<sup>3</sup>

Phantom section: Right Section

DASY4 Configuration:

- Probe: ET3DV6 - SN1528; ConvF(5.85, 5.85, 5.85); Calibrated: 18/07/2011
- Sensor-Surface: 4mm (Mechanical Surface Detection)
- Electronics: DAE3 Sn432; Calibrated: 02/05/2012
- Phantom: SAM 12a (Site 57); Type: SAM 4.0; Serial: TP:1020
- Measurement SW: DASY4, V4.5 Build 19; Postprocessing SW: SEMCAD, V1.8 Build 145

**Touch Right Antenna Retracted - Middle/Area Scan (71x121x1):** Measurement grid: dx=15mm, dy=15mm

Maximum value of SAR (interpolated) = 0.376 mW/g

**Touch Right Antenna Retracted - Middle/Zoom Scan (5x5x7) 2 (5x5x7)/Cube 0:** Measurement grid: dx=8mm, dy=8mm, dz=5mm

Reference Value = 6.35 V/m; Power Drift = -0.050 dB

Peak SAR (extrapolated) = 0.429 W/kg

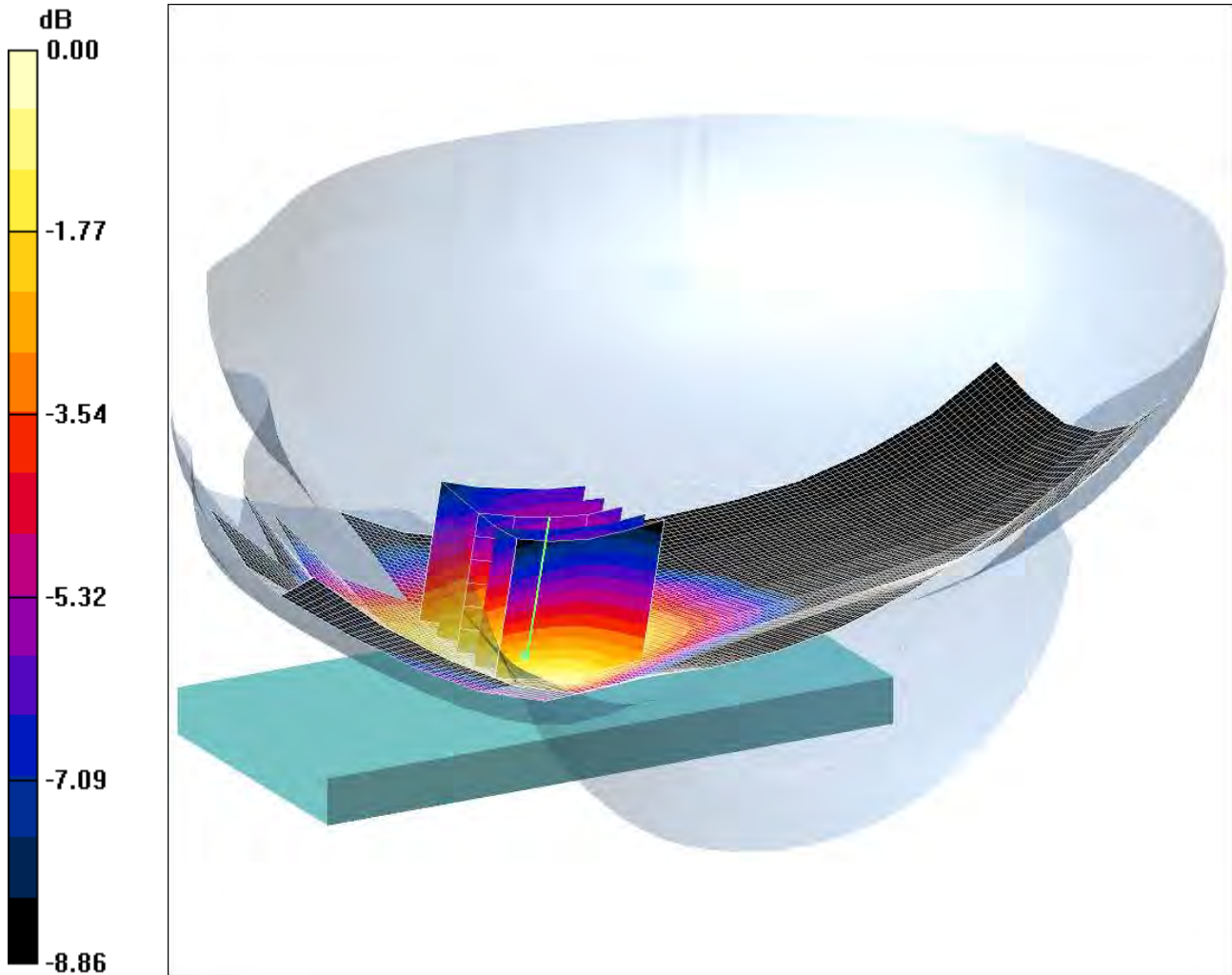
**SAR(1 g) = 0.350 mW/g; SAR(10 g) = 0.267 mW/g**

Maximum value of SAR (measured) = 0.369 mW/g

SCN/87471JD03A/006: Touch Right Antenna Extended GSM CH189

Date: 16/05/2012

DUT: Panasonic D21BR7; Type: D21BR7; Serial: 351808050018762



0 dB = 0.338mW/g

Communication System: GSM 850 MHz; Frequency: 836.4 MHz; Duty Cycle: 1:8.3

Medium: 900 MHz HSL Medium parameters used (interpolated):  $f = 836.4$  MHz;  $\sigma = 0.896$  mho/m;  $\epsilon_r = 43.5$ ;  $\rho = 1000$  kg/m<sup>3</sup>

Phantom section: Right Section

DASY4 Configuration:

- Probe: ET3DV6 - SN1528; ConvF(5.85, 5.85, 5.85); Calibrated: 18/07/2011

- Sensor-Surface: 4mm (Mechanical Surface Detection)

- Electronics: DAE3 Sn432; Calibrated: 02/05/2012

- Phantom: SAM 12a (Site 57); Type: SAM 4.0; Serial: TP:1020

- Measurement SW: DASY4, V4.5 Build 19; Postprocessing SW: SEMCAD, V1.8 Build 145

**Touch Right Antenna Extended - Middle/Area Scan (71x141x1):** Measurement grid: dx=15mm, dy=15mm

Maximum value of SAR (interpolated) = 0.342 mW/g

**Touch Right Antenna Extended - Middle/Zoom Scan (5x5x7) 2 (5x5x7)/Cube 0:** Measurement grid: dx=8mm, dy=8mm, dz=5mm

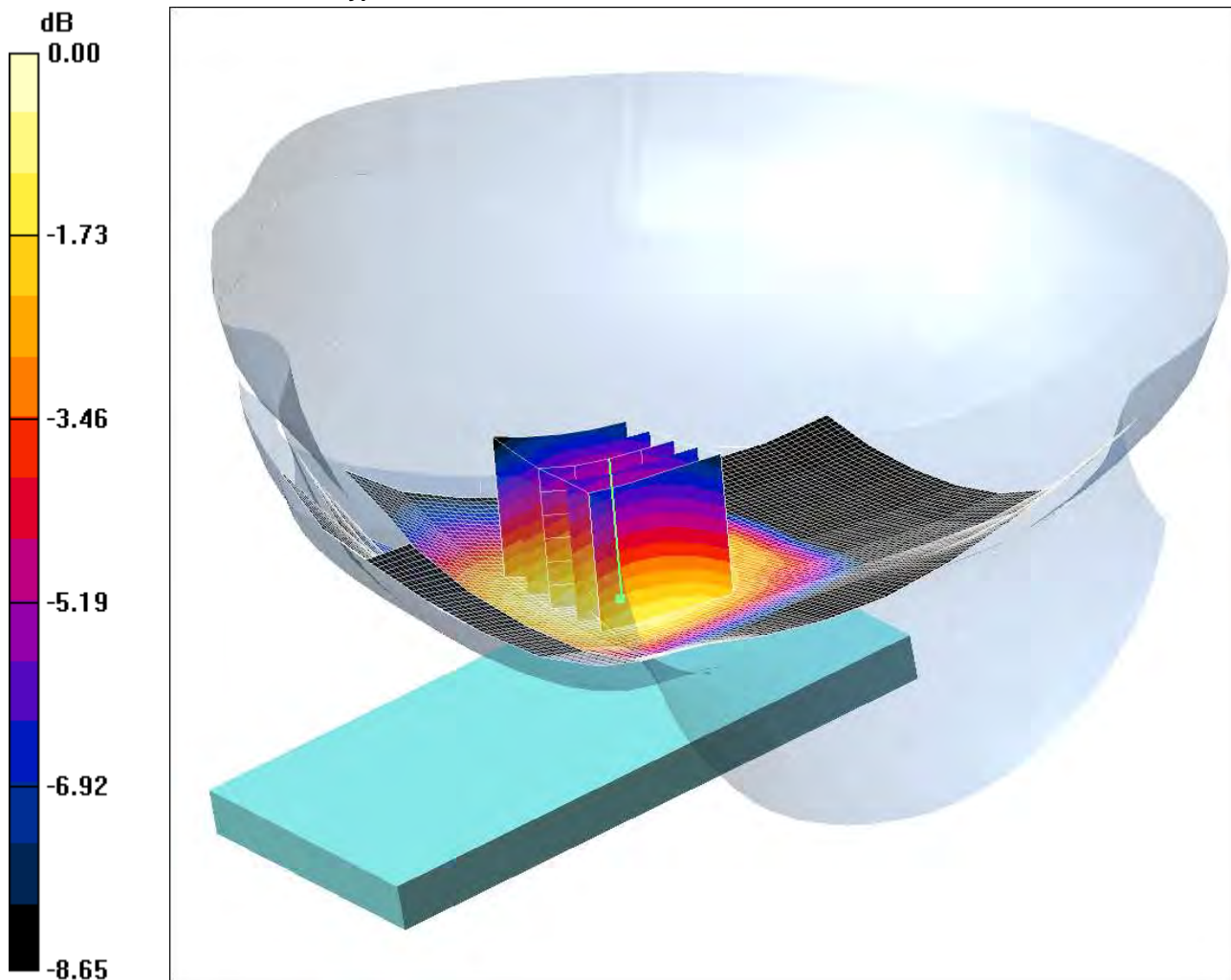
Reference Value = 7.18 V/m; Power Drift = 0.042 dB

Peak SAR (extrapolated) = 0.397 W/kg

**SAR(1 g) = 0.324 mW/g; SAR(10 g) = 0.246 mW/g**

Maximum value of SAR (measured) = 0.338 mW/g

SCN/87471JD03A/007: Tilt Right Antenna Retracted GSM CH189  
Date: 16/05/2012  
DUT: Panasonic D21BR7; Type: D21BR7; Serial: 351808050018762



0 dB = 0.286mW/g

Communication System: GSM 850 MHz; Frequency: 836.4 MHz; Duty Cycle: 1:8.3  
Medium: 900 MHz HSL Medium parameters used (interpolated):  $f = 836.4$  MHz;  $\sigma = 0.896$  mho/m;  $\epsilon_r = 43.5$ ;  $\rho = 1000$  kg/m<sup>3</sup>

Phantom section: Right Section

DASY4 Configuration:

- Probe: ET3DV6 - SN1528; ConvF(5.85, 5.85, 5.85); Calibrated: 18/07/2011
- Sensor-Surface: 4mm (Mechanical Surface Detection)
- Electronics: DAE3 Sn432; Calibrated: 02/05/2012
- Phantom: SAM 12a (Site 57); Type: SAM 4.0; Serial: TP:1020
- Measurement SW: DASY4, V4.5 Build 19; Postprocessing SW: SEMCAD, V1.8 Build 145

**Tilt Right Antenna Retracted - Middle/Area Scan (71x121x1):** Measurement grid: dx=15mm, dy=15mm

Maximum value of SAR (interpolated) = 0.285 mW/g

**Tilt Right Antenna Retracted - Middle/Zoom Scan (5x5x7) 2 (5x5x7)/Cube 0:** Measurement grid: dx=8mm, dy=8mm, dz=5mm

Reference Value = 11.8 V/m; Power Drift = 0.041 dB

Peak SAR (extrapolated) = 0.320 W/kg

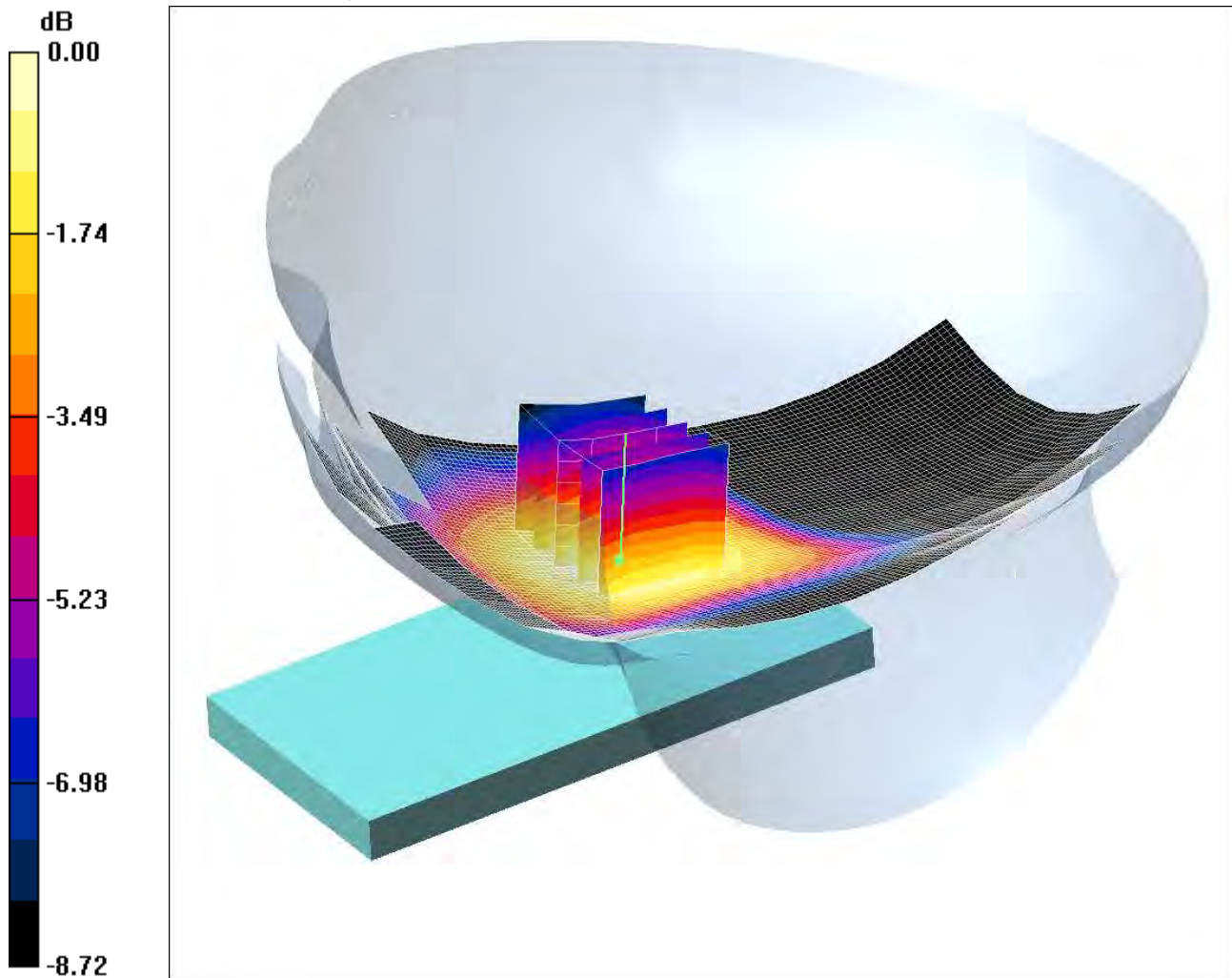
**SAR(1 g) = 0.271 mW/g; SAR(10 g) = 0.209 mW/g**

Maximum value of SAR (measured) = 0.286 mW/g

SCN/87471JD03A/008: Tilt Right Antenna Extended GSM CH189

Date/Time: 16/05/2012

DUT: Panasonic D21BR7; Type: D21BR7; Serial: 351808050018762



0 dB = 0.253mW/g

Communication System: GSM 850 MHz; Frequency: 836.4 MHz; Duty Cycle: 1:8.3

Medium: 900 MHz HSL Medium parameters used (interpolated):  $f = 836.4$  MHz;  $\sigma = 0.896$  mho/m;  $\epsilon_r = 43.5$ ;  $\rho = 1000$  kg/m<sup>3</sup>

Phantom section: Right Section

DASY4 Configuration:

- Probe: ET3DV6 - SN1528; ConvF(5.85, 5.85, 5.85); Calibrated: 18/07/2011
- Sensor-Surface: 4mm (Mechanical Surface Detection)
- Electronics: DAE3 Sn432; Calibrated: 02/05/2012
- Phantom: SAM 12a (Site 57); Type: SAM 4.0; Serial: TP:1020
- Measurement SW: DASY4, V4.5 Build 19; Postprocessing SW: SEMCAD, V1.8 Build 145

**Tilt Right Antenna Extended - Middle/Area Scan (71x141x1):** Measurement grid: dx=15mm, dy=15mm

Maximum value of SAR (interpolated) = 0.252 mW/g

**Tilt Right Antenna Extended - Middle/Zoom Scan (5x5x7) 2 (5x5x7)/Cube 0:** Measurement grid: dx=8mm, dy=8mm, dz=5mm

Reference Value = 12.0 V/m; Power Drift = -0.049 dB

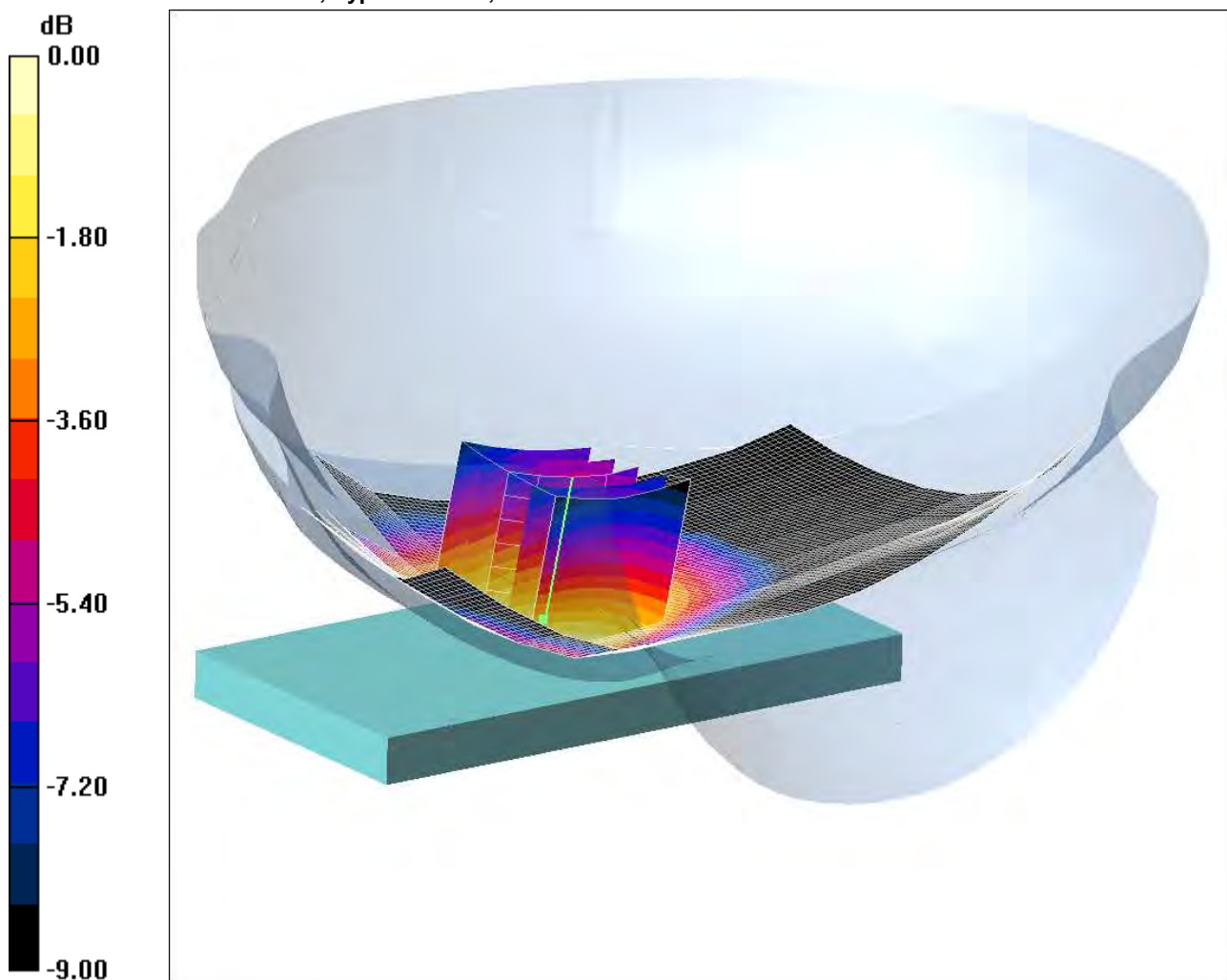
Peak SAR (extrapolated) = 0.287 W/kg

**SAR(1 g) = 0.243 mW/g; SAR(10 g) = 0.188 mW/g**

Maximum value of SAR (measured) = 0.253 mW/g



SCN/87471JD03A/009: Touch Right Antenna Retracted GPRS CH189  
Date: 16/05/2012  
DUT: Panasonic D21BR7; Type: D21BR7; Serial: 351808050018762



0 dB = 0.417mW/g

Communication System: GPRS 850 MHz 4TX; Frequency: 836.4 MHz; Duty Cycle: 1:2  
Medium: 900 MHz HSL Medium parameters used (interpolated):  $f = 836.4$  MHz;  $\sigma = 0.896$  mho/m;  $\epsilon_r = 43.5$ ;  $\rho = 1000$  kg/m<sup>3</sup>

Phantom section: Right Section

DASY4 Configuration:

- Probe: ET3DV6 - SN1528; ConvF(5.85, 5.85, 5.85); Calibrated: 18/07/2011
- Sensor-Surface: 4mm (Mechanical Surface Detection)
- Electronics: DAE3 Sn432; Calibrated: 02/05/2012
- Phantom: SAM 12a (Site 57); Type: SAM 4.0; Serial: TP:1020
- Measurement SW: DASY4, V4.5 Build 19; Postprocessing SW: SEMCAD, V1.8 Build 145

**Touch Right Antenna Retracted - Middle/Area Scan (71x121x1):** Measurement grid: dx=15mm, dy=15mm

Maximum value of SAR (interpolated) = 0.419 mW/g

**Touch Right Antenna Retracted - Middle/Zoom Scan (5x5x7) 2 (5x5x7)/Cube 0:** Measurement grid: dx=8mm, dy=8mm, dz=5mm

Reference Value = 7.64 V/m; Power Drift = -0.066 dB

Peak SAR (extrapolated) = 0.481 W/kg

**SAR(1 g) = 0.395 mW/g; SAR(10 g) = 0.303 mW/g**

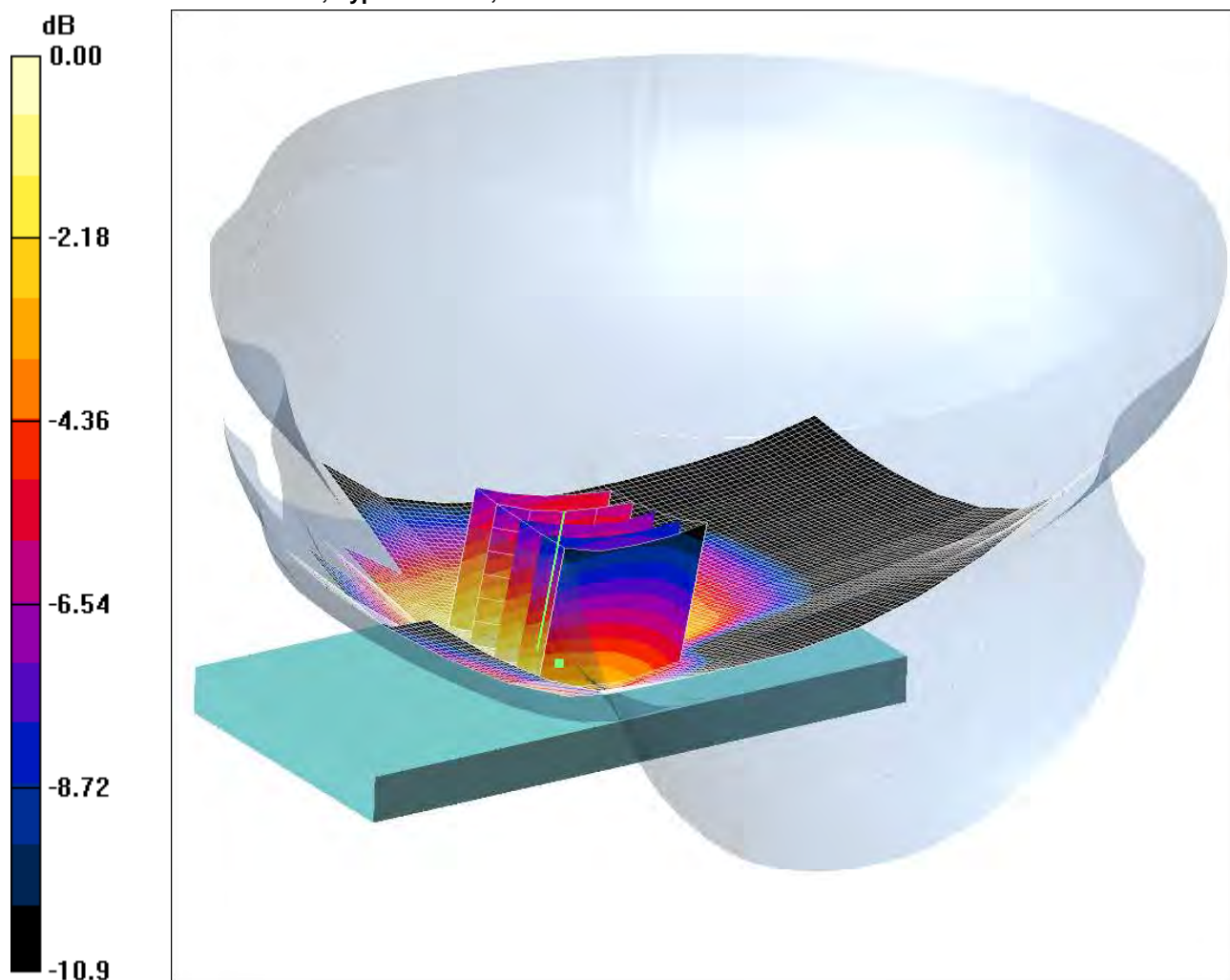
Maximum value of SAR (measured) = 0.417 mW/g



SCN/87471JD03A/010: Touch Right Antenna Retracted EDGE CH189

Date: 16/05/2012

DUT: Panasonic D21BR7; Type: D21BR7; Serial: 351808050018762



0 dB = 0.454mW/g

Communication System: EDGE 850 MHz 4TX; Frequency: 836.4 MHz; Duty Cycle: 1:2  
Medium: 900 MHz HSL Medium parameters used (interpolated):  $f = 836.4$  MHz;  $\sigma = 0.896$  mho/m;  $\epsilon_r = 43.5$ ;  $\rho = 1000$  kg/m<sup>3</sup>

Phantom section: Right Section

DASY4 Configuration:

- Probe: ET3DV6 - SN1528; ConvF(5.85, 5.85, 5.85); Calibrated: 18/07/2011
- Sensor-Surface: 4mm (Mechanical Surface Detection)
- Electronics: DAE3 Sn432; Calibrated: 02/05/2012
- Phantom: SAM 12a (Site 57); Type: SAM 4.0; Serial: TP:1020
- Measurement SW: DASY4, V4.5 Build 19; Postprocessing SW: SEMCAD, V1.8 Build 145

**Touch Right Antenna Retracted - Middle/Area Scan (71x121x1):** Measurement grid: dx=15mm, dy=15mm

Maximum value of SAR (interpolated) = 0.468 mW/g

**Touch Right Antenna Retracted - Middle/Zoom Scan (5x5x7) 2 2 (5x5x7)/Cube 0:** Measurement grid:

dx=8mm, dy=8mm, dz=5mm

Reference Value = 7.52 V/m; Power Drift = -0.014 dB

Peak SAR (extrapolated) = 0.549 W/kg

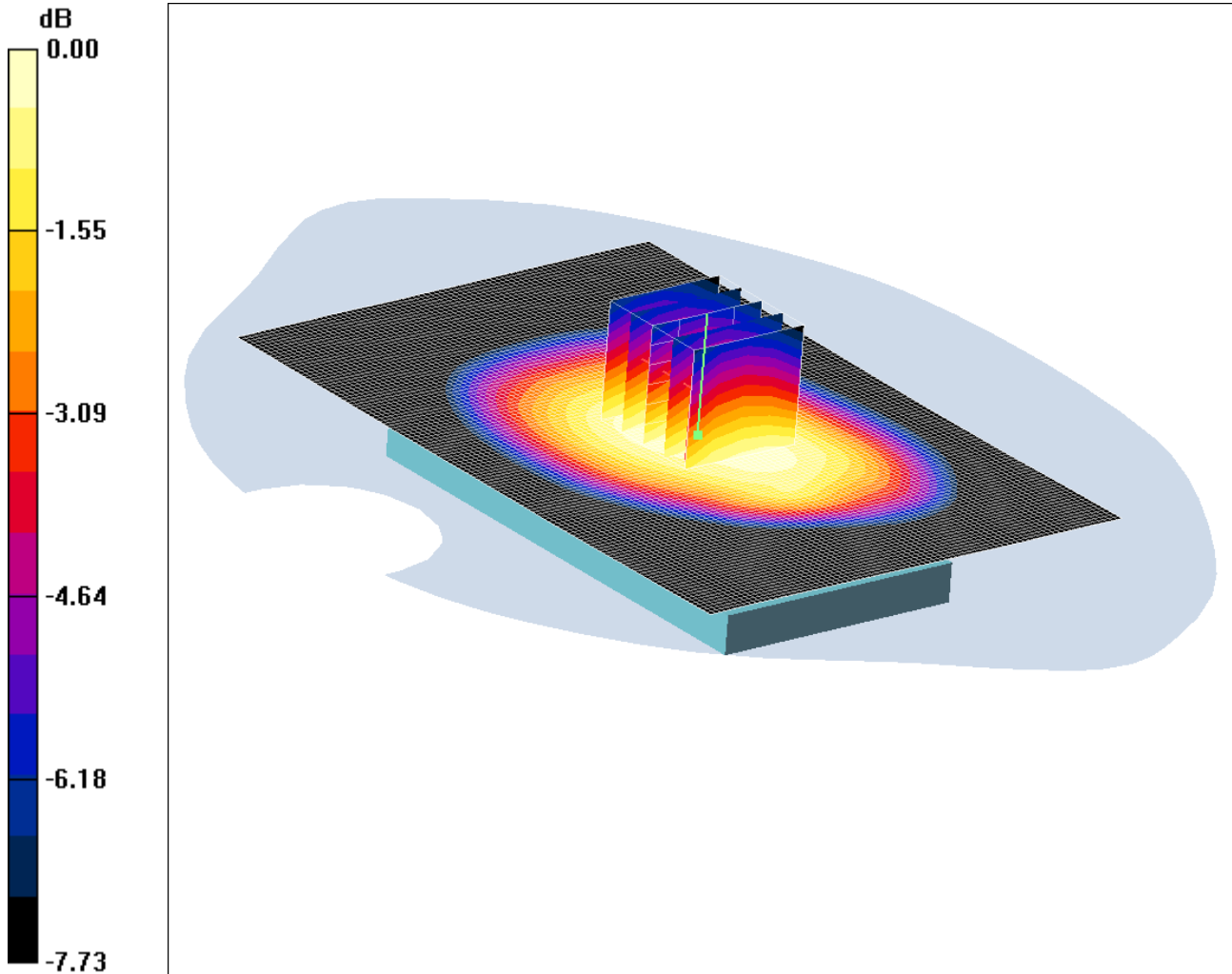
**SAR(1 g) = 0.436 mW/g; SAR(10 g) = 0.323 mW/g**

Maximum value of SAR (measured) = 0.454 mW/g

SCN/87471JD03A/011: Front of EUT Facing Phantom with Antenna Retracted GPRS CH189

Date: 11/05/2012

DUT: Panasonic D21BR7; Type: D21BR7; Serial: 351808050018762



0 dB = 0.668mW/g

Communication System: GPRS 850 MHz 4TX; Frequency: 836.4 MHz; Duty Cycle: 1:2  
 Medium: 900 MHz MSL Medium parameters used (interpolated):  $f = 836.4$  MHz;  $\sigma = 0.99$  mho/m;  $\epsilon_r = 57$ ;  $\rho = 1000$  kg/m<sup>3</sup>

Phantom section: Flat Section

DASY4 Configuration:

- Probe: ET3DV6 - SN1528; ConvF(5.77, 5.77, 5.77); Calibrated: 18/07/2011
- Sensor-Surface: 4mm (Mechanical Surface Detection)
- Electronics: DAE3 Sn432; Calibrated: 02/05/2012
- Phantom: SAM 12a (Site 57); Type: SAM 4.0; Serial: TP:1020
- Measurement SW: DASY4, V4.5 Build 19; Postprocessing SW: SEMCAD, V1.8 Build 145

**Front of EUT Facing Phantom with Antenna Retracted - Middle 2/Area Scan (81x121x1):** Measurement grid: dx=15mm, dy=15mm

Maximum value of SAR (interpolated) = 0.661 mW/g

**Front of EUT Facing Phantom with Antenna Retracted - Middle 2/Zoom Scan (5x5x7) 2 (5x5x7)/Cube 0:**

Measurement grid: dx=8mm, dy=8mm, dz=5mm

Reference Value = 26.9 V/m; Power Drift = -0.00 dB

Peak SAR (extrapolated) = 0.743 W/kg

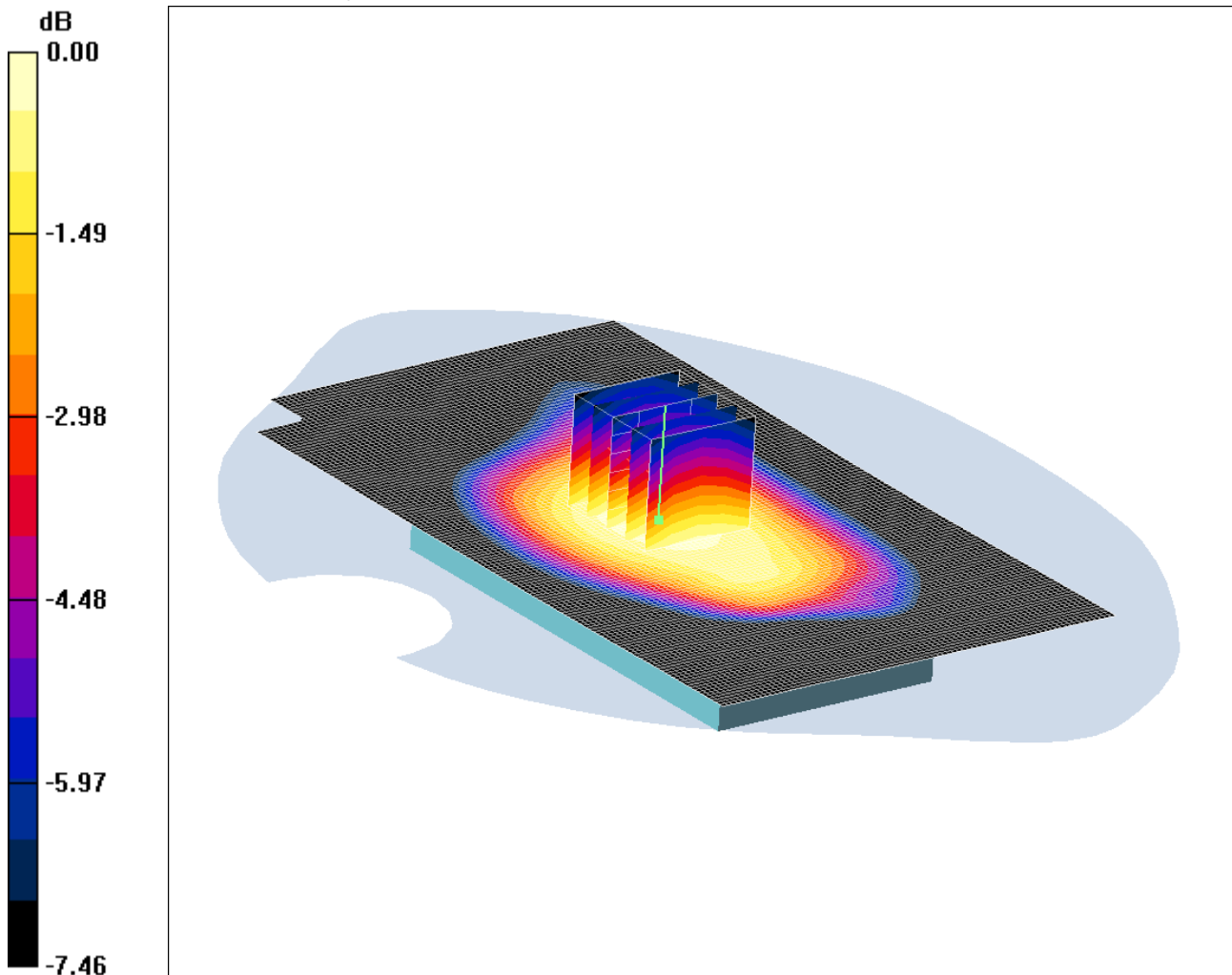
**SAR(1 g) = 0.636 mW/g; SAR(10 g) = 0.498 mW/g**

Maximum value of SAR (measured) = 0.668 mW/g

SCN/87471JD03A/012: Front of EUT Facing Phantom with Antenna Extended GPRS CH189

Date 11/05/2012

DUT: Panasonic D21BR7; Type: D21BR7; Serial: 351808050018762



0 dB = 0.479mW/g

Communication System: GPRS 850 MHz 4TX; Frequency: 836.4 MHz; Duty Cycle: 1:2

Medium: 900 MHz MSL Medium parameters used (interpolated):  $f = 836.4$  MHz;  $\sigma = 0.99$  mho/m;  $\epsilon_r = 57$ ;  $\rho = 1000$  kg/m<sup>3</sup>

Phantom section: Flat Section

DASY4 Configuration:

- Probe: ET3DV6 - SN1528; ConvF(5.77, 5.77, 5.77); Calibrated: 18/07/2011

- Sensor-Surface: 4mm (Mechanical Surface Detection)

- Electronics: DAE3 Sn432; Calibrated: 02/05/2012

- Phantom: SAM 12a (Site 57); Type: SAM 4.0; Serial: TP:1020

- Measurement SW: DASY4, V4.5 Build 19; Postprocessing SW: SEMCAD, V1.8 Build 145

**Front of EUT Facing Phantom with Antenna Extended - Middle/Area Scan (81x141x1):** Measurement grid:

dx=15mm, dy=15mm

Maximum value of SAR (interpolated) = 0.477 mW/g

**Front of EUT Facing Phantom with Antenna Extended - Middle/Zoom Scan (5x5x7) 2 (5x5x7)/Cube 0:**

Measurement grid: dx=8mm, dy=8mm, dz=5mm

Reference Value = 22.8 V/m; Power Drift = -0.022 dB

Peak SAR (extrapolated) = 0.534 W/kg

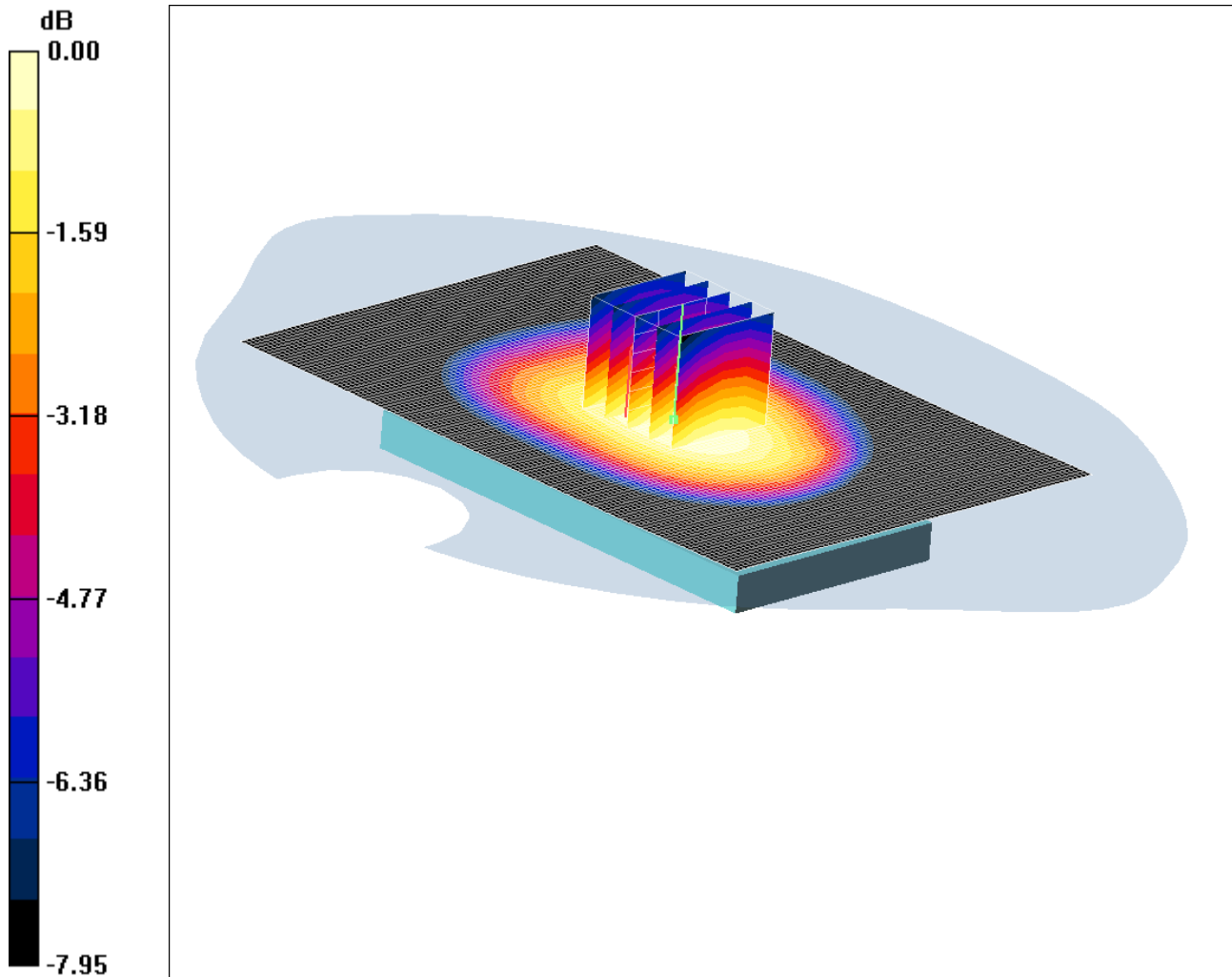
**SAR(1 g) = 0.457 mW/g; SAR(10 g) = 0.357 mW/g**

Maximum value of SAR (measured) = 0.479 mW/g

SCN/87471JD03A/013: Back of EUT Facing Phantom with Antenna Retracted GPRS CH189

Date: 11/05/2012

DUT: Panasonic D21BR7; Type: D21BR7; Serial: 351808050018762



0 dB = 0.830mW/g

Communication System: GPRS 850 MHz 4TX; Frequency: 836.4 MHz; Duty Cycle: 1:2  
 Medium: 900 MHz MSL Medium parameters used (interpolated):  $f = 836.4$  MHz;  $\sigma = 0.99$  mho/m;  $\epsilon_r = 57$ ;  $\rho = 1000$  kg/m<sup>3</sup>

Phantom section: Flat Section

DASY4 Configuration:

- Probe: ET3DV6 - SN1528; ConvF(5.77, 5.77, 5.77); Calibrated: 18/07/2011

- Sensor-Surface: 4mm (Mechanical Surface Detection)

- Electronics: DAE3 Sn432; Calibrated: 02/05/2012

- Phantom: SAM 12a (Site 57); Type: SAM 4.0; Serial: TP:1020

- Measurement SW: DASY4, V4.5 Build 19; Postprocessing SW: SEMCAD, V1.8 Build 145

**Back of EUT Facing Phantom with Antenna Retracted - Middle 2/Area Scan (81x121x1):** Measurement grid:

$dx=15$ mm,  $dy=15$ mm

Maximum value of SAR (interpolated) = 0.838 mW/g

**Back of EUT Facing Phantom with Antenna Retracted - Middle 2/Zoom Scan (5x5x7) 2 (5x5x7)/Cube 0:**

Measurement grid:  $dx=8$ mm,  $dy=8$ mm,  $dz=5$ mm

Reference Value = 30.5 V/m; Power Drift = -0.045 dB

Peak SAR (extrapolated) = 0.929 W/kg

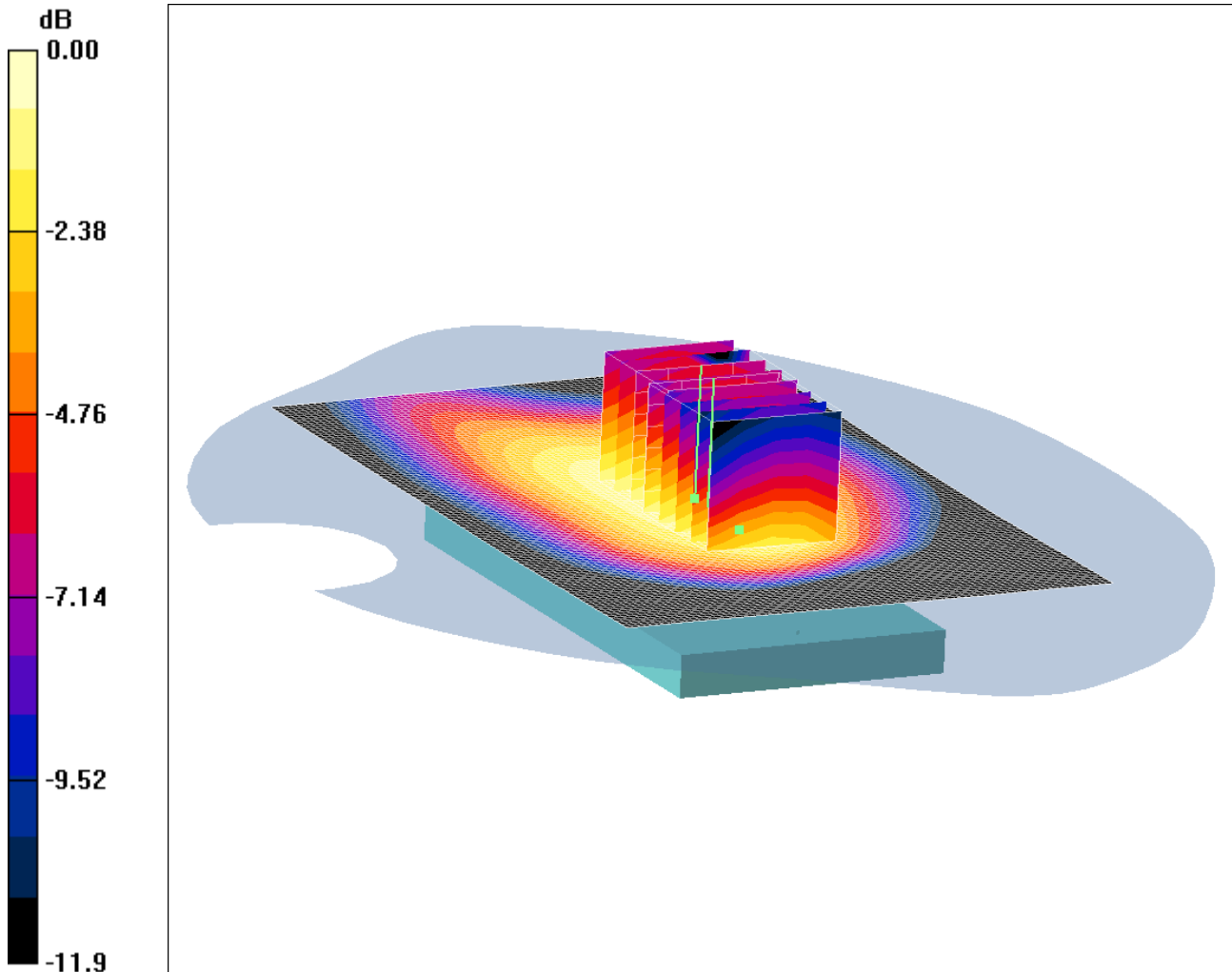
**SAR(1 g) = 0.794 mW/g; SAR(10 g) = 0.619 mW/g**

Maximum value of SAR (measured) = 0.830 mW/g

SCN/87471JD03A/014: Back of EUT Facing Phantom with Antenna Extended GPRS CH189

Date 11/05/2012

DUT: Panasonic D21BR7; Type: D21BR7; Serial: 351808050018762



0 dB = 0.600mW/g

Communication System: GPRS 850 MHz 4TX; Frequency: 836.4 MHz; Duty Cycle: 1:2  
 Medium: 900 MHz MSL Medium parameters used (interpolated):  $f = 836.4$  MHz;  $\sigma = 0.99$  mho/m;  $\epsilon_r = 57$ ;  $\rho = 1000$  kg/m<sup>3</sup>

Phantom section: Flat Section

DASY4 Configuration:

- Probe: ET3DV6 - SN1528; ConvF(5.77, 5.77, 5.77); Calibrated: 18/07/2011
- Sensor-Surface: 4mm (Mechanical Surface Detection)
- Electronics: DAE3 Sn432; Calibrated: 02/05/2012
- Phantom: SAM 12a (Site 57); Type: SAM 4.0; Serial: TP:1020
- Measurement SW: DASY4, V4.5 Build 19; Postprocessing SW: SEMCAD, V1.8 Build 145

**Back of EUT Facing Phantom with Antenna Extended - Middle 2/Area Scan (81x121x1):** Measurement grid: dx=15mm, dy=15mm

Maximum value of SAR (interpolated) = 0.548 mW/g

**Back of EUT Facing Phantom with Antenna Extended - Middle 2/Zoom Scan (5x5x7) (5x5x7)/Cube 0:**

Measurement grid: dx=8mm, dy=8mm, dz=5mm; Reference Value = 24.6 V/m; Power Drift = -0.012 dB; Peak SAR (extrapolated) = 0.615 W/kg

**SAR(1 g) = 0.523 mW/g; SAR(10 g) = 0.410 mW/g**

Maximum value of SAR (measured) = 0.544 mW/g

**Back of EUT Facing Phantom with Antenna Extended - Middle 2/Zoom Scan (5x5x7) (5x5x7)/Cube 1:**

Measurement grid: dx=8mm, dy=8mm, dz=5mm; Reference Value = 24.6 V/m; Power Drift = -0.012 dB; Peak SAR (extrapolated) = 0.602 W/kg

**SAR(1 g) = 0.508 mW/g; SAR(10 g) = 0.384 mW/g**

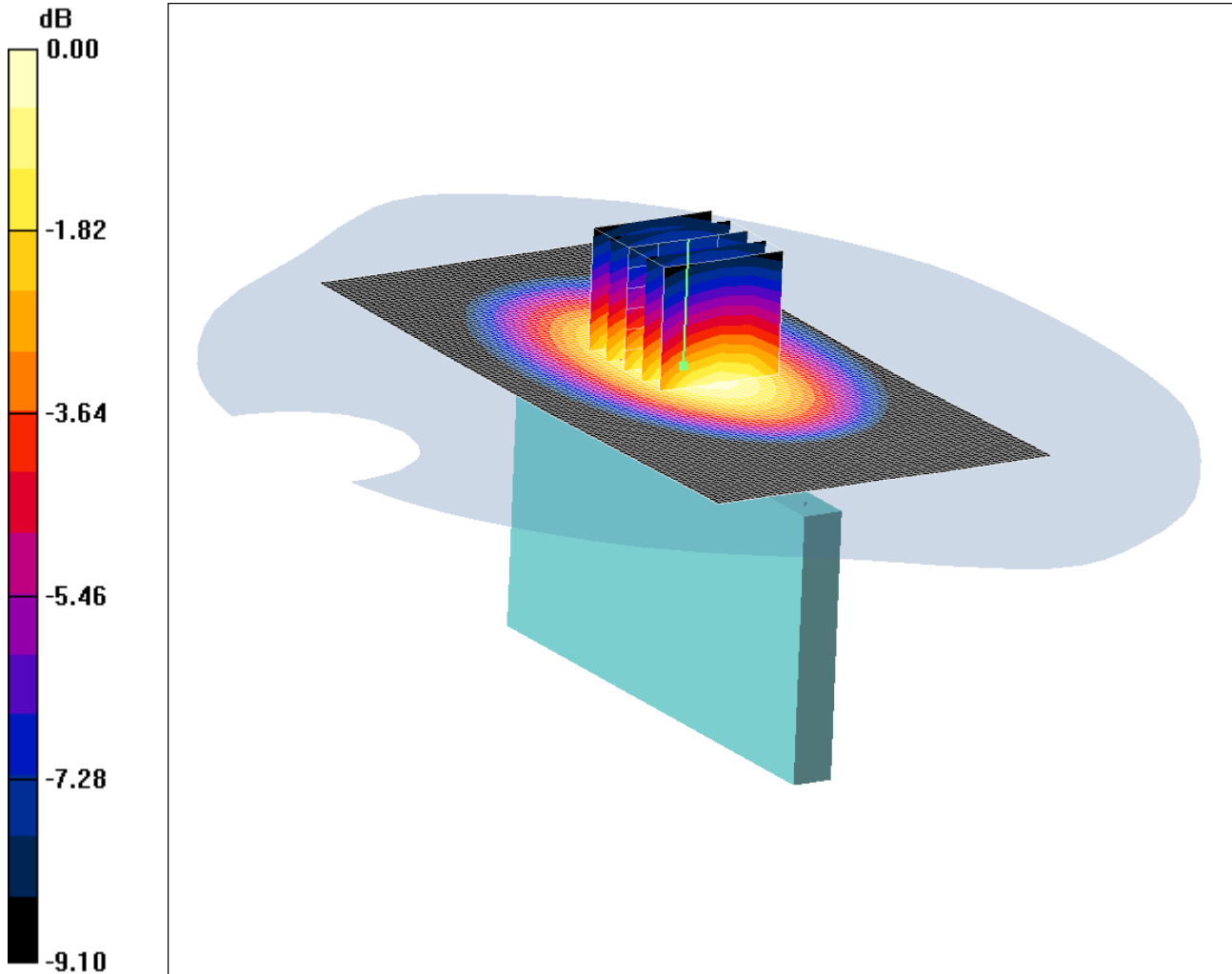
Maximum value of SAR (measured) = 0.539 mW/g



SCN/87471JD03A/015: Left Hand Side of EUT Facing Phantom with Antenna Retracted GPRS CH189

Date: 12/05/2012

DUT: Panasonic D21BR7; Type: D21BR7; Serial: 351808050018762



0 dB = 0.609mW/g

Communication System: GPRS 850 MHz 4TX; Frequency: 836.4 MHz; Duty Cycle: 1:2  
 Medium: 900 MHz MSL Medium parameters used (interpolated):  $f = 836.4$  MHz;  $\sigma = 0.99$  mho/m;  $\epsilon_r = 56.3$ ;  $\rho = 1000$  kg/m<sup>3</sup>

Phantom section: Flat Section

DASY4 Configuration:

- Probe: ET3DV6 - SN1528; ConvF(5.77, 5.77, 5.77); Calibrated: 18/07/2011
- Sensor-Surface: 4mm (Mechanical Surface Detection)
- Electronics: DAE3 Sn432; Calibrated: 02/05/2012
- Phantom: SAM 12a (Site 57); Type: SAM 4.0; Serial: TP:1020
- Measurement SW: DASY4, V4.5 Build 19; Postprocessing SW: SEMCAD, V1.8 Build 145

**Left Hand Side of EUT Facing Phantom with Antenna Retracted - Middle/Area Scan (61x121x1):**

Measurement grid: dx=15mm, dy=15mm

Maximum value of SAR (interpolated) = 0.616 mW/g

**Left Hand Side of EUT Facing Phantom with Antenna Retracted - Middle/Zoom Scan (5x5x7) 2**

(5x5x7)/Cube 0: Measurement grid: dx=8mm, dy=8mm, dz=5mm

Reference Value = 25.8 V/m; Power Drift = -0.00 dB

Peak SAR (extrapolated) = 0.743 W/kg

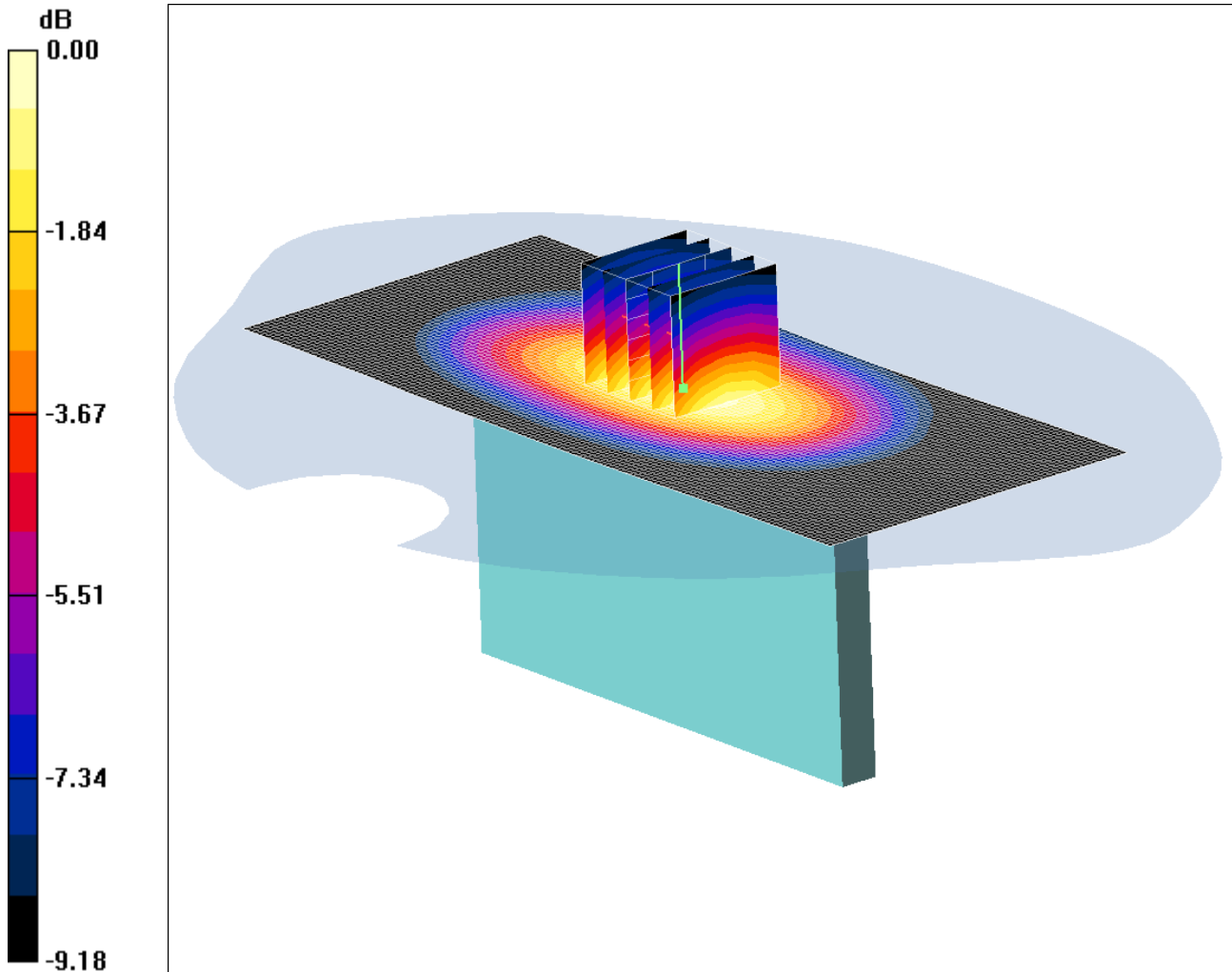
**SAR(1 g) = 0.566 mW/g; SAR(10 g) = 0.396 mW/g**

Maximum value of SAR (measured) = 0.609 mW/g

SCN/87471JD03A/016: Left Hand Side of EUT Facing Phantom with Antenna Extended GPRS CH189

Date: 12/05/2012

DUT: Panasonic D21BR7; Type: D21BR7; Serial: 351808050018762



0 dB = 0.267mW/g

Communication System: GPRS 850 MHz 4TX; Frequency: 836.4 MHz; Duty Cycle: 1:2  
 Medium: 900 MHz MSL Medium parameters used (interpolated):  $f = 836.4$  MHz;  $\sigma = 0.99$  mho/m;  $\epsilon_r = 56.3$ ;  $\rho = 1000$  kg/m<sup>3</sup>

Phantom section: Flat Section

DASY4 Configuration:

- Probe: ET3DV6 - SN1528; ConvF(5.77, 5.77, 5.77); Calibrated: 18/07/2011
- Sensor-Surface: 4mm (Mechanical Surface Detection)
- Electronics: DAE3 Sn432; Calibrated: 02/05/2012
- Phantom: SAM 12a (Site 57); Type: SAM 4.0; Serial: TP:1020
- Measurement SW: DASY4, V4.5 Build 19; Postprocessing SW: SEMCAD, V1.8 Build 145

**Left Hand Side of EUT Facing Phantom with Antenna Extended - Middle/Area Scan 2 (61x141x1):**

Measurement grid: dx=15mm, dy=15mm

Maximum value of SAR (interpolated) = 0.263 mW/g

**Left Hand Side of EUT Facing Phantom with Antenna Extended - Middle/Zoom Scan (5x5x7) 2 2**

**(5x5x7)/Cube 0:** Measurement grid: dx=8mm, dy=8mm, dz=5mm

Reference Value = 16.7 V/m; Power Drift = 0.150 dB

Peak SAR (extrapolated) = 0.326 W/kg

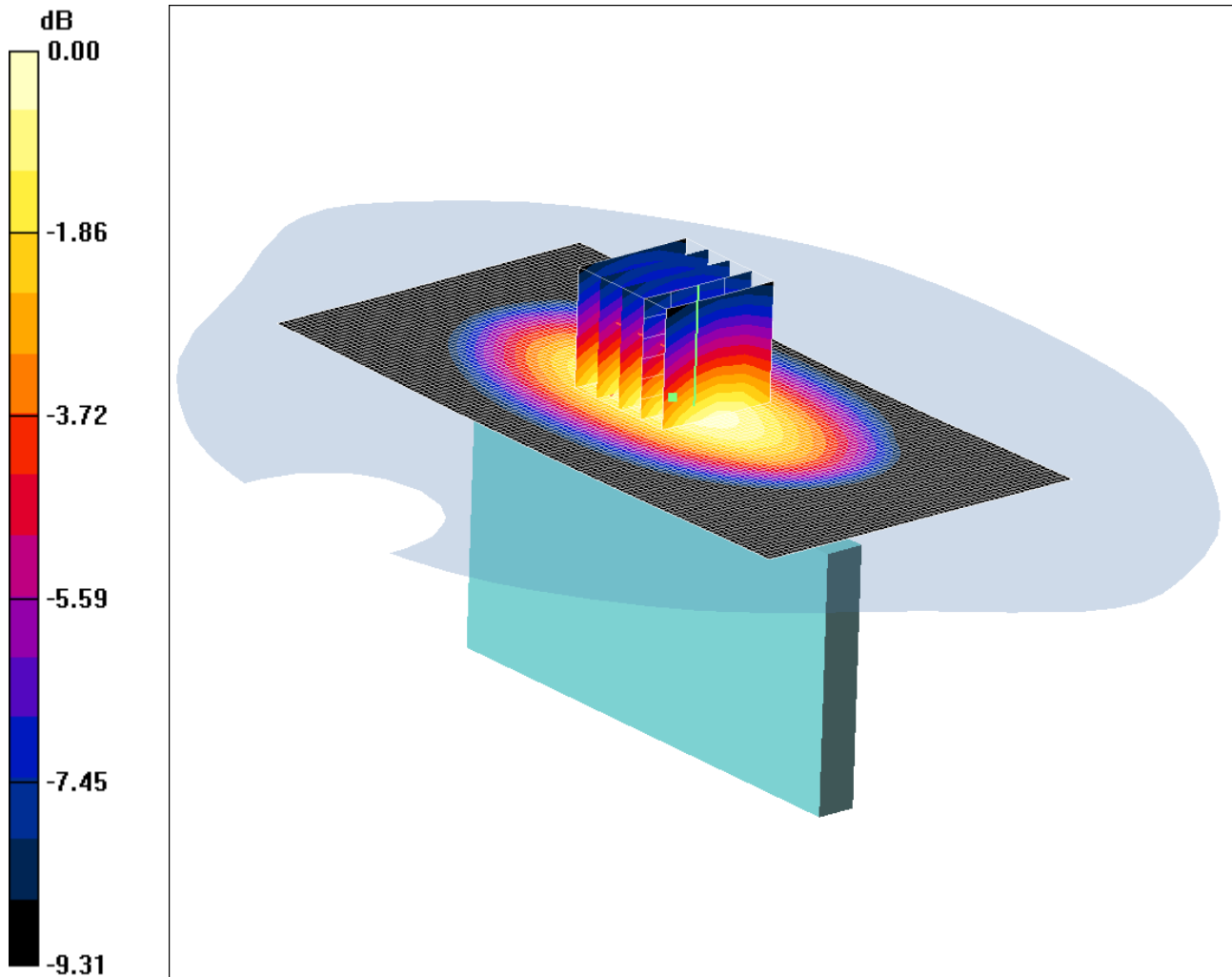
**SAR(1 g) = 0.247 mW/g; SAR(10 g) = 0.172 mW/g**

Maximum value of SAR (measured) = 0.267 mW/g

SCN/87471JD03A/017: Right Hand Side of EUT Facing Phantom with Antenna Retracted GPRS CH189

Date: 12/05/2012

DUT: Panasonic D21BR7; Type: D21BR7; Serial: 351808050018762



0 dB = 0.398mW/g

Communication System: GPRS 850 MHz 4TX; Frequency: 836.4 MHz; Duty Cycle: 1:2

Medium: 900 MHz MSL Medium parameters used (interpolated):  $f = 836.4$  MHz;  $\sigma = 0.99$  mho/m;  $\epsilon_r = 56.3$ ;  $\rho = 1000$  kg/m<sup>3</sup>

Phantom section: Flat Section

DASY4 Configuration:

- Probe: ET3DV6 - SN1528; ConvF(5.77, 5.77, 5.77); Calibrated: 18/07/2011

- Sensor-Surface: 4mm (Mechanical Surface Detection)

- Electronics: DAE3 Sn432; Calibrated: 02/05/2012

- Phantom: SAM 12a (Site 57); Type: SAM 4.0; Serial: TP:1020

- Measurement SW: DASY4, V4.5 Build 19; Postprocessing SW: SEMCAD, V1.8 Build 145

**Right Hand Side of EUT Facing Phantom with Antenna Retracted - Middle/Area Scan (61x121x1):**

Measurement grid: dx=15mm, dy=15mm

Maximum value of SAR (interpolated) = 0.397 mW/g

**Right Hand Side of EUT Facing Phantom with Antenna Retracted - Middle/Zoom Scan (5x5x7) 2**

(5x5x7)/Cube 0: Measurement grid: dx=8mm, dy=8mm, dz=5mm

Reference Value = 20.6 V/m; Power Drift = 0.084 dB

Peak SAR (extrapolated) = 0.487 W/kg

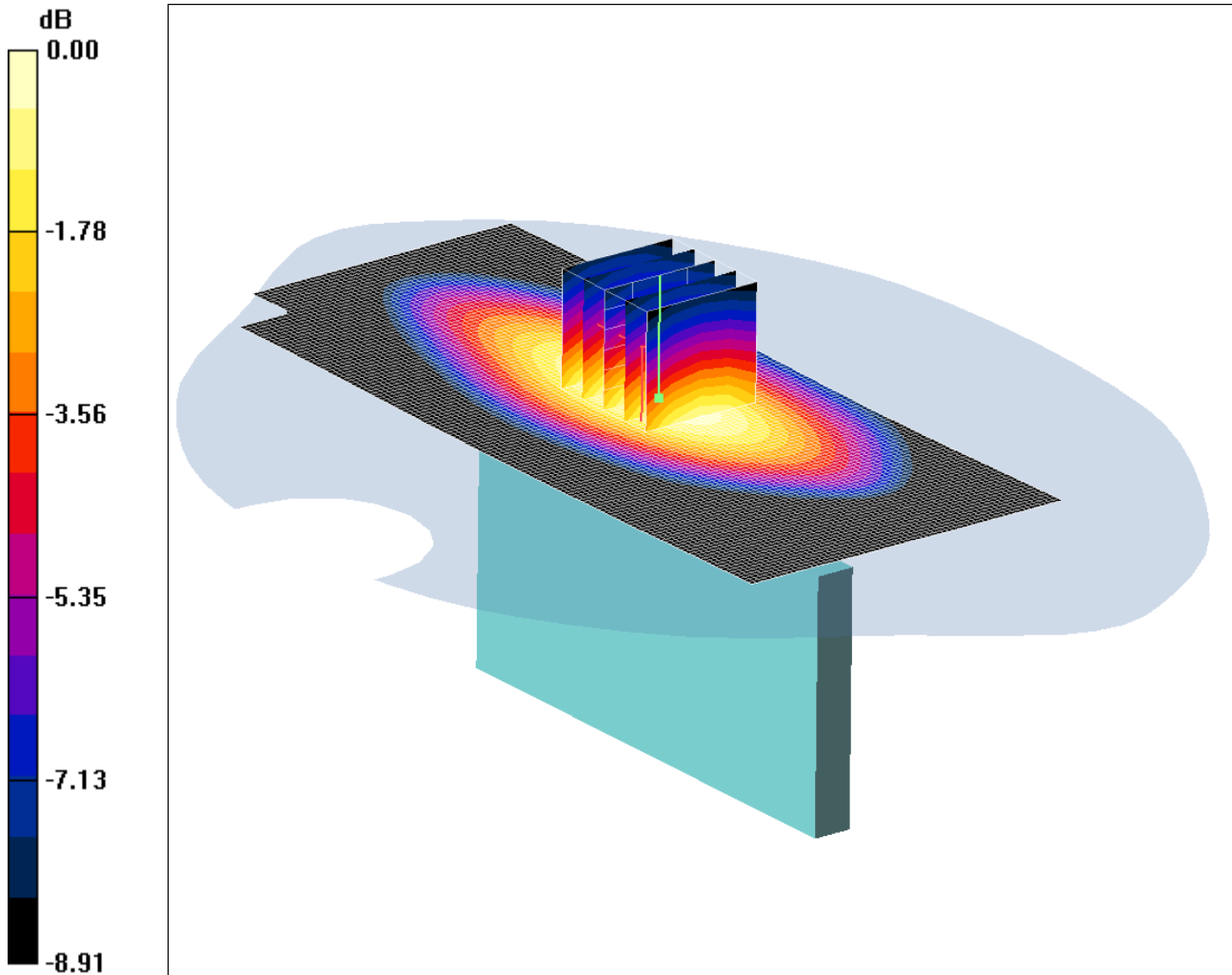
**SAR(1 g) = 0.370 mW/g; SAR(10 g) = 0.260 mW/g**

Maximum value of SAR (measured) = 0.398 mW/g

SCN/87471JD03A/018: Right Hand Side of EUT Facing Phantom with Antenna Extended GPRS CH189

Date: 12/05/2012

DUT: Panasonic D21BR7; Type: D21BR7; Serial: 351808050018762



0 dB = 0.306mW/g

Communication System: GPRS 850 MHz 4TX; Frequency: 836.4 MHz; Duty Cycle: 1:2  
 Medium: 900 MHz MSL Medium parameters used (interpolated):  $f = 836.4$  MHz;  $\sigma = 0.99$  mho/m;  $\epsilon_r = 56.3$ ;  $\rho = 1000$  kg/m<sup>3</sup>

Phantom section: Flat Section

DASY4 Configuration:

- Probe: ET3DV6 - SN1528; ConvF(5.77, 5.77, 5.77); Calibrated: 18/07/2011
- Sensor-Surface: 4mm (Mechanical Surface Detection)
- Electronics: DAE3 Sn432; Calibrated: 02/05/2012
- Phantom: SAM 12a (Site 57); Type: SAM 4.0; Serial: TP:1020
- Measurement SW: DASY4, V4.5 Build 19; Postprocessing SW: SEMCAD, V1.8 Build 145

**Right Hand Side of EUT Facing Phantom with Antenna Extended - Middle/Area Scan 2 (61x141x1):**

Measurement grid: dx=15mm, dy=15mm

Maximum value of SAR (interpolated) = 0.306 mW/g

**Right Hand Side of EUT Facing Phantom with Antenna Extended - Middle/Zoom Scan (5x5x7) 2 2**

**(5x5x7)/Cube 0:** Measurement grid: dx=8mm, dy=8mm, dz=5mm

Reference Value = 16.1 V/m; Power Drift = 0.157 dB

Peak SAR (extrapolated) = 0.369 W/kg

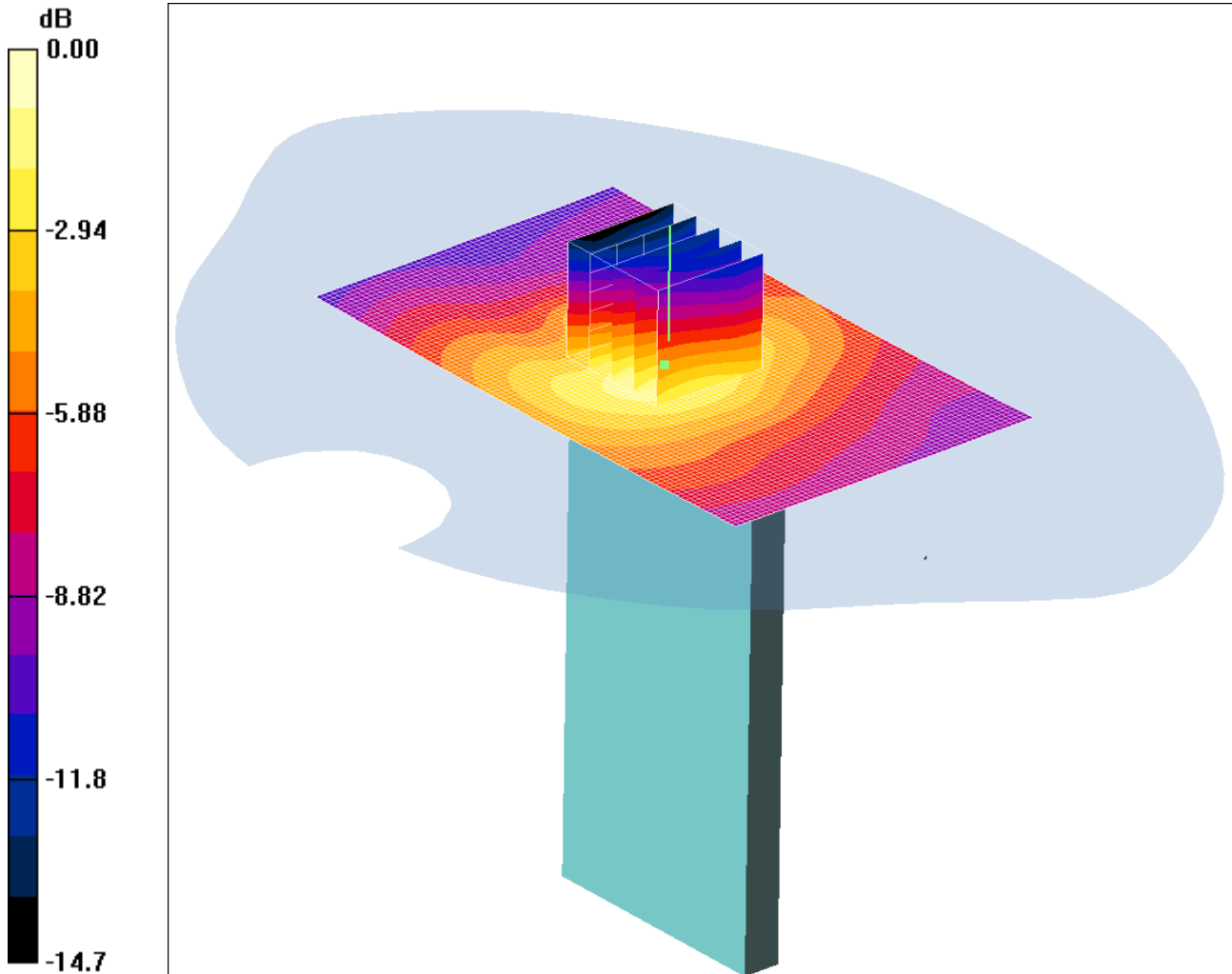
**SAR(1 g) = 0.286 mW/g; SAR(10 g) = 0.203 mW/g**

Maximum value of SAR (measured) = 0.306 mW/g

SCN/87471JD03A/019: Bottom of EUT Facing Phantom with Antenna Retracted GPRS CH189

Date: 12/05/2012

DUT: Panasonic D21BR7; Type: D21BR7; Serial: 351808050018762



0 dB = 0.091mW/g

Communication System: GPRS 850 MHz 4TX; Frequency: 836.4 MHz; Duty Cycle: 1:2  
 Medium: 900 MHz MSL Medium parameters used (interpolated):  $f = 836.4$  MHz;  $\sigma = 0.99$  mho/m;  $\epsilon_r = 56.3$ ;  $\rho = 1000$  kg/m<sup>3</sup>

Phantom section: Flat Section

DASY4 Configuration:

- Probe: ET3DV6 - SN1528; ConvF(5.77, 5.77, 5.77); Calibrated: 18/07/2011
- Sensor-Surface: 4mm (Mechanical Surface Detection)
- Electronics: DAE3 Sn432; Calibrated: 02/05/2012
- Phantom: SAM 12a (Site 57); Type: SAM 4.0; Serial: TP:1020
- Measurement SW: DASY4, V4.5 Build 19; Postprocessing SW: SEMCAD, V1.8 Build 145

**Bottom Hand Side of EUT Facing Phantom with Antenna Retracted - Middle/Area Scan (61x101x1):**

Measurement grid: dx=15mm, dy=15mm

Maximum value of SAR (interpolated) = 0.075 mW/g

**Bottom Hand Side of EUT Facing Phantom with Antenna Retracted - Middle/Zoom Scan (5x5x7)**

(5x5x7)/Cube 0: Measurement grid: dx=8mm, dy=8mm, dz=5mm

Reference Value = 9.05 V/m; Power Drift = 0.160 dB

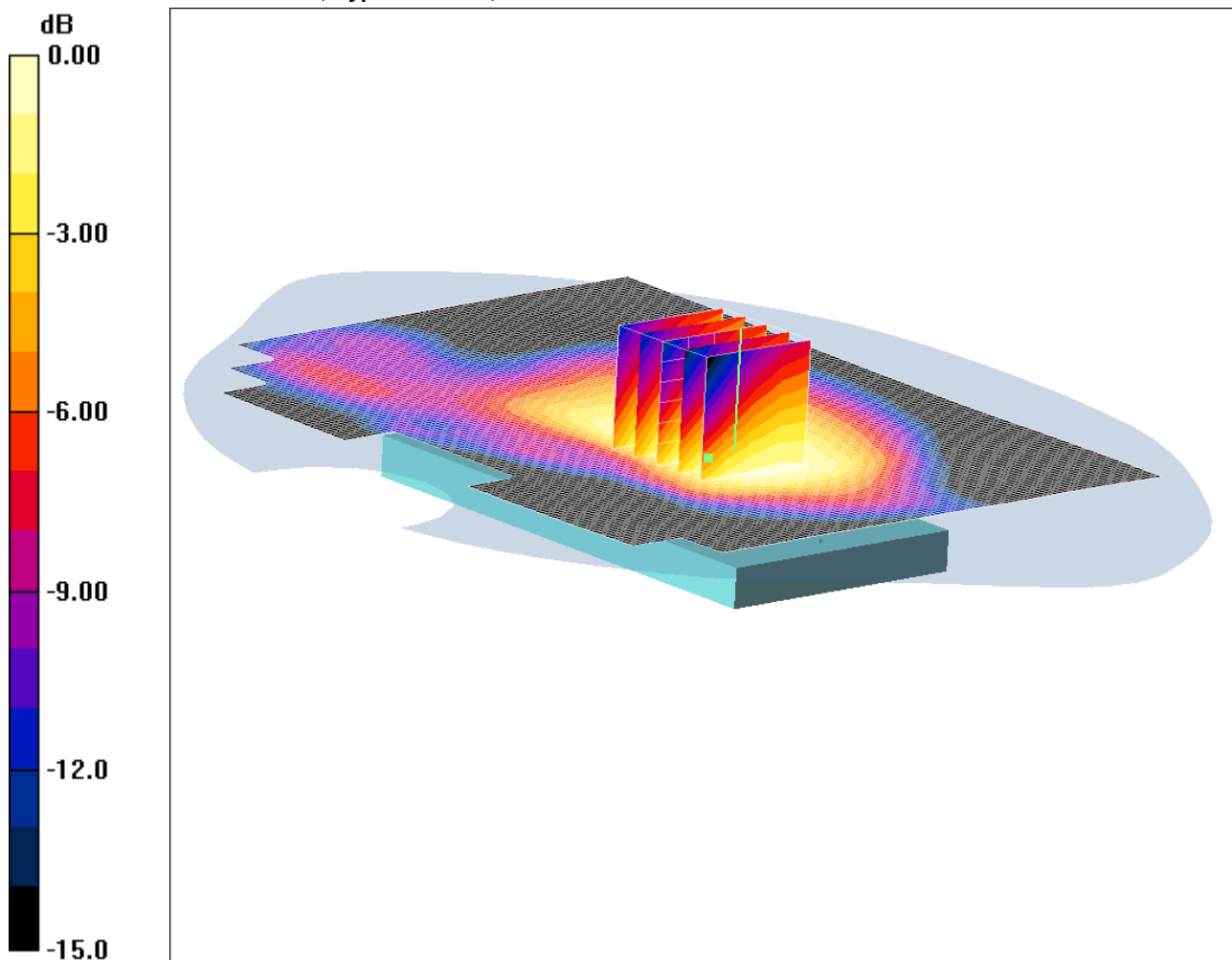
Peak SAR (extrapolated) = 0.190 W/kg

**SAR(1 g) = 0.082 mW/g; SAR(10 g) = 0.044 mW/g**

Maximum value of SAR (measured) = 0.091 mW/g



SCN/87471JD03A/020: Back of EUT Facing Phantom with Antenna Retracted with PHF GPRS CH189  
Date: 14/05/2012  
DUT: Panasonic D21BR7; Type: D21BR7; Serial: 351808050018762



0 dB = 0.643mW/g

Communication System: GPRS 850 MHz 4TX; Frequency: 836.4 MHz; Duty Cycle: 1:2  
Medium: 900 MHz MSL Medium parameters used (interpolated):  $f = 836.4$  MHz;  $\sigma = 0.976$  mho/m;  $\epsilon_r = 56.3$ ;  $\rho = 1000$  kg/m<sup>3</sup>

Phantom section: Flat Section

DASY4 Configuration:

- Probe: ET3DV6 - SN1528; ConvF(5.77, 5.77, 5.77); Calibrated: 18/07/2011

- Sensor-Surface: 4mm (Mechanical Surface Detection)

- Electronics: DAE3 Sn432; Calibrated: 02/05/2012

- Phantom: SAM 12a (Site 57); Type: SAM 4.0; Serial: TP:1020

- Measurement SW: DASY4, V4.5 Build 19; Postprocessing SW: SEMCAD, V1.8 Build 145

**Back of EUT Facing Phantom with Antenna Retracted - Middle 2/Area Scan (101x131x1):** Measurement grid: dx=15mm, dy=15mm

Maximum value of SAR (interpolated) = 0.673 mW/g

**Back of EUT Facing Phantom with Antenna Retracted - Middle 2/Zoom Scan (5x5x7) 2 (5x5x7)/Cube 0:**

Measurement grid: dx=8mm, dy=8mm, dz=5mm

Reference Value = 24.5 V/m; Power Drift = 0.030 dB

Peak SAR (extrapolated) = 0.750 W/kg

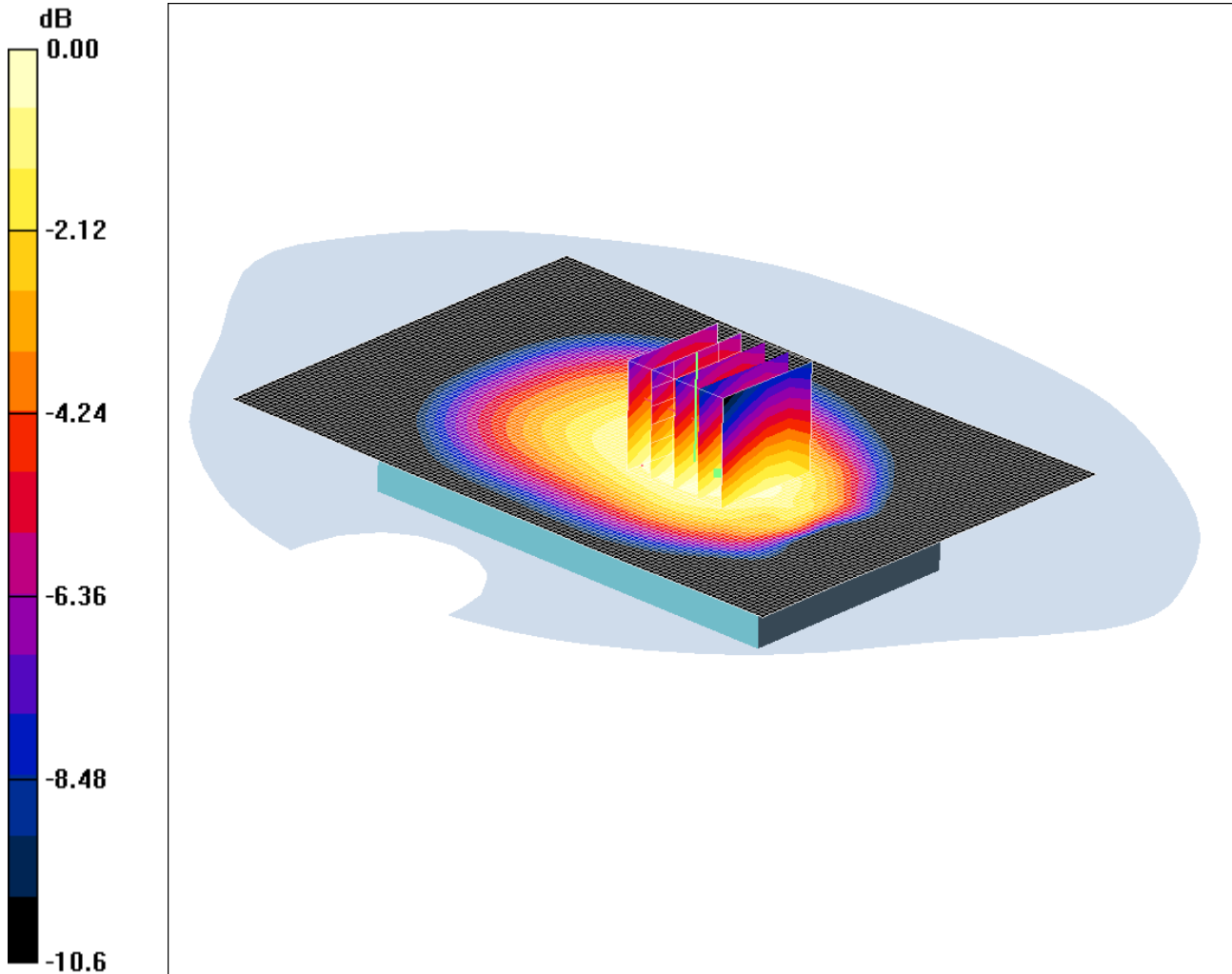
**SAR(1 g) = 0.616 mW/g; SAR(10 g) = 0.465 mW/g**

Maximum value of SAR (measured) = 0.643 mW/g

SCN/87471JD03A/021: Back of EUT Facing Phantom with Antenna Retracted EDGE CH189.

Date: 12/05/2012

DUT: Panasonic D21BR7; Type: D21BR7; Serial: 351808050018762



0 dB = 0.613mW/g

Communication System: EDGE 850 MHz 4TX; Frequency: 836.4 MHz; Duty Cycle: 1:2  
 Medium: 900 MHz MSL Medium parameters used (interpolated):  $f = 836.4$  MHz;  $\sigma = 0.99$  mho/m;  $\epsilon_r = 56.3$ ;  $\rho = 1000$  kg/m<sup>3</sup>

Phantom section: Flat Section

DASY4 Configuration:

- Probe: ET3DV6 - SN1528; ConvF(5.77, 5.77, 5.77); Calibrated: 18/07/2011
- Sensor-Surface: 4mm (Mechanical Surface Detection)
- Electronics: DAE3 Sn432; Calibrated: 02/05/2012
- Phantom: SAM 12a (Site 57); Type: SAM 4.0; Serial: TP:1020
- Measurement SW: DASY4, V4.5 Build 19; Postprocessing SW: SEMCAD, V1.8 Build 145

**Back of EUT Facing Phantom with Antenna Retracted - Middle 2 2/Area Scan (81x121x1):** Measurement grid: dx=15mm, dy=15mm

Maximum value of SAR (interpolated) = 0.608 mW/g

**Back of EUT Facing Phantom with Antenna Retracted - Middle 2 2/Zoom Scan (5x5x7) 2 2 2 (5x5x7)/Cube**

**0:** Measurement grid: dx=8mm, dy=8mm, dz=5mm

Reference Value = 24.8 V/m; Power Drift = 0.095 dB

Peak SAR (extrapolated) = 0.682 W/kg

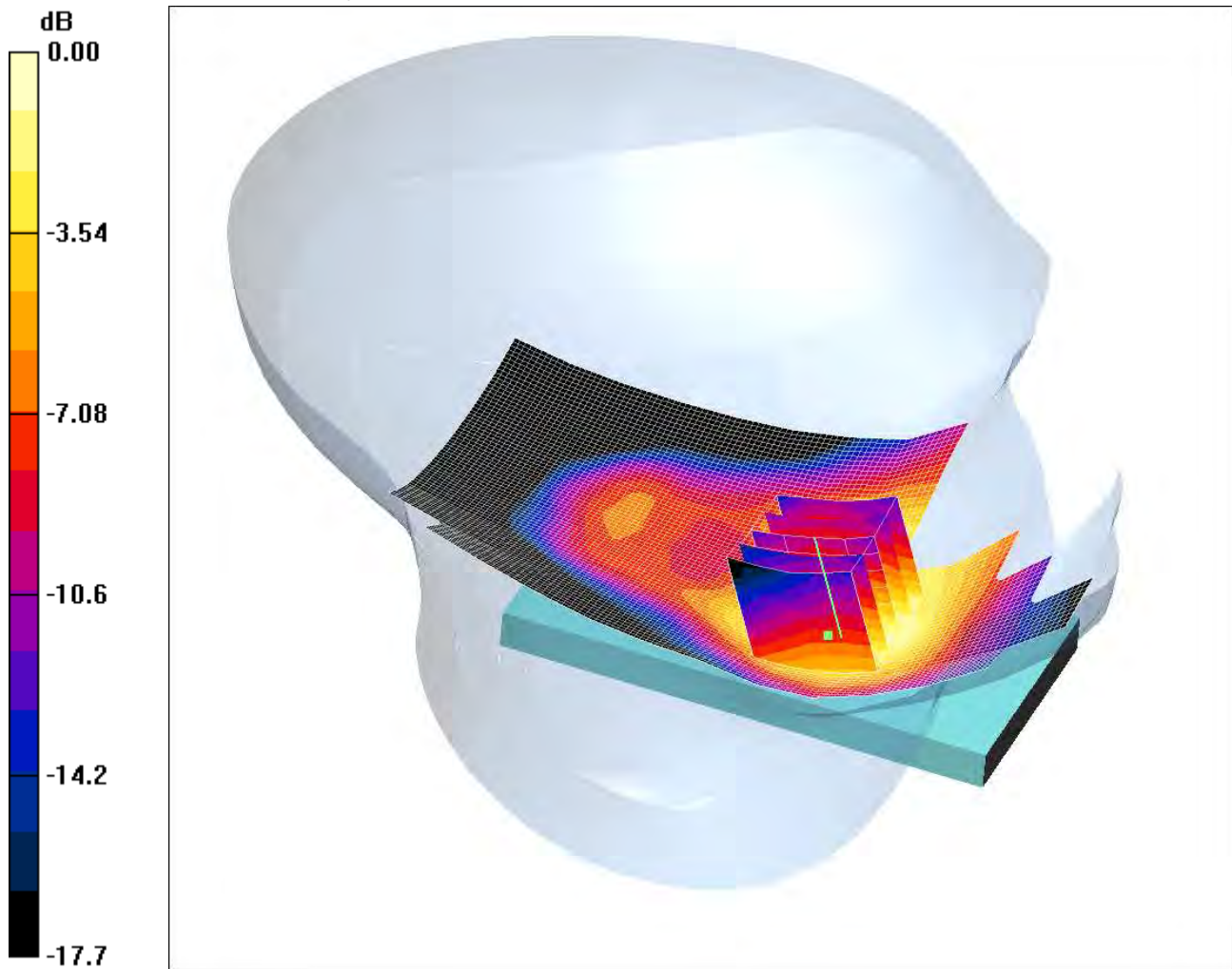
**SAR(1 g) = 0.580 mW/g; SAR(10 g) = 0.447 mW/g**

Maximum value of SAR (measured) = 0.613 mW/g

SCN/87471JD03A/022: Touch Left Antenna Retracted PCS CH660

Date 01/05/2012

DUT: Panasonic D21BR7; Type: D21BR7; Serial: 351808050018762



0 dB = 0.369mW/g

Communication System: PCS 1900; Frequency: 1879.8 MHz; Duty Cycle: 1:8.3

Medium: 1900 MHz HSL Medium parameters used (interpolated):  $f = 1879.8$  MHz;  $\sigma = 1.4$  mho/m;  $\epsilon_r = 38.5$ ;  $\rho = 1000$  kg/m<sup>3</sup>

Phantom section: Left Section

DASY4 Configuration:

- Probe: ET3DV6 - SN1528; ConvF(4.81, 4.81, 4.81); Calibrated: 18/07/2011

- Sensor-Surface: 4mm (Mechanical Surface Detection)

- Electronics: DAE3 Sn431; Calibrated: 05/05/2011

- Phantom: SAM 12a (Site 57); Type: SAM 4.0; Serial: TP:1020

- Measurement SW: DASY4, V4.5 Build 19; Postprocessing SW: SEMCAD, V1.8 Build 145

**Touch Left Antenna Retracted - Middle/Area Scan (71x121x1):** Measurement grid: dx=15mm, dy=15mm

Maximum value of SAR (interpolated) = 0.401 mW/g

**Touch Left Antenna Retracted - Middle/Zoom Scan (5x5x7) 2 (5x5x7)/Cube 0:** Measurement grid: dx=8mm, dy=8mm, dz=5mm

Reference Value = 7.12 V/m; Power Drift = -0.184 dB

Peak SAR (extrapolated) = 0.518 W/kg

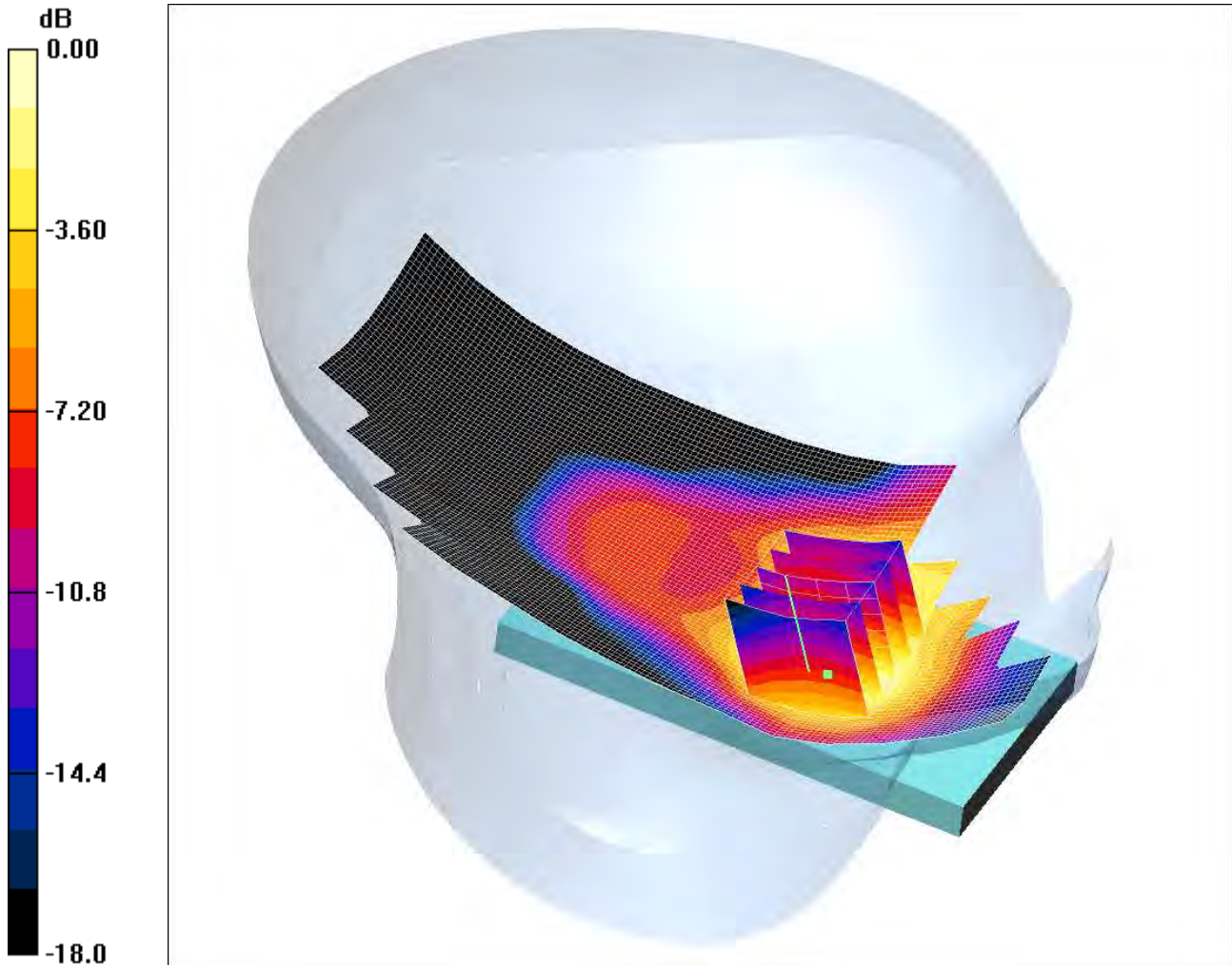
**SAR(1 g) = 0.353 mW/g; SAR(10 g) = 0.221 mW/g**

Maximum value of SAR (measured) = 0.369 mW/g

SCN/87471JD03A/023: Touch Left Antenna Extended PCS CH660

Date 01/05/2012

DUT: Panasonic D21BR7; Type: D21BR7; Serial: 351808050018762



0 dB = 0.382mW/g

Communication System: PCS 1900; Frequency: 1879.8 MHz; Duty Cycle: 1:8.3

Medium: 1900 MHz HSL Medium parameters used (interpolated):  $f = 1879.8$  MHz;  $\sigma = 1.4$  mho/m;  $\epsilon_r = 38.5$ ;  $\rho = 1000$  kg/m<sup>3</sup>

Phantom section: Left Section

DASY4 Configuration:

- Probe: ET3DV6 - SN1528; ConvF(4.81, 4.81, 4.81); Calibrated: 18/07/2011

- Sensor-Surface: 4mm (Mechanical Surface Detection)

- Electronics: DAE3 Sn431; Calibrated: 05/05/2011

- Phantom: SAM 12a (Site 57); Type: SAM 4.0; Serial: TP:1020

- Measurement SW: DASY4, V4.5 Build 19; Postprocessing SW: SEMCAD, V1.8 Build 145

**Touch Left Antenna Extended - Middle/Area Scan (71x141x1):** Measurement grid: dx=15mm, dy=15mm

Maximum value of SAR (interpolated) = 0.412 mW/g

**Touch Left Antenna Extended - Middle/Zoom Scan (5x5x7) 2 (5x5x7)/Cube 0:** Measurement grid: dx=8mm, dy=8mm, dz=5mm

Reference Value = 6.80 V/m; Power Drift = -0.042 dB

Peak SAR (extrapolated) = 0.533 W/kg

**SAR(1 g) = 0.363 mW/g; SAR(10 g) = 0.222 mW/g**

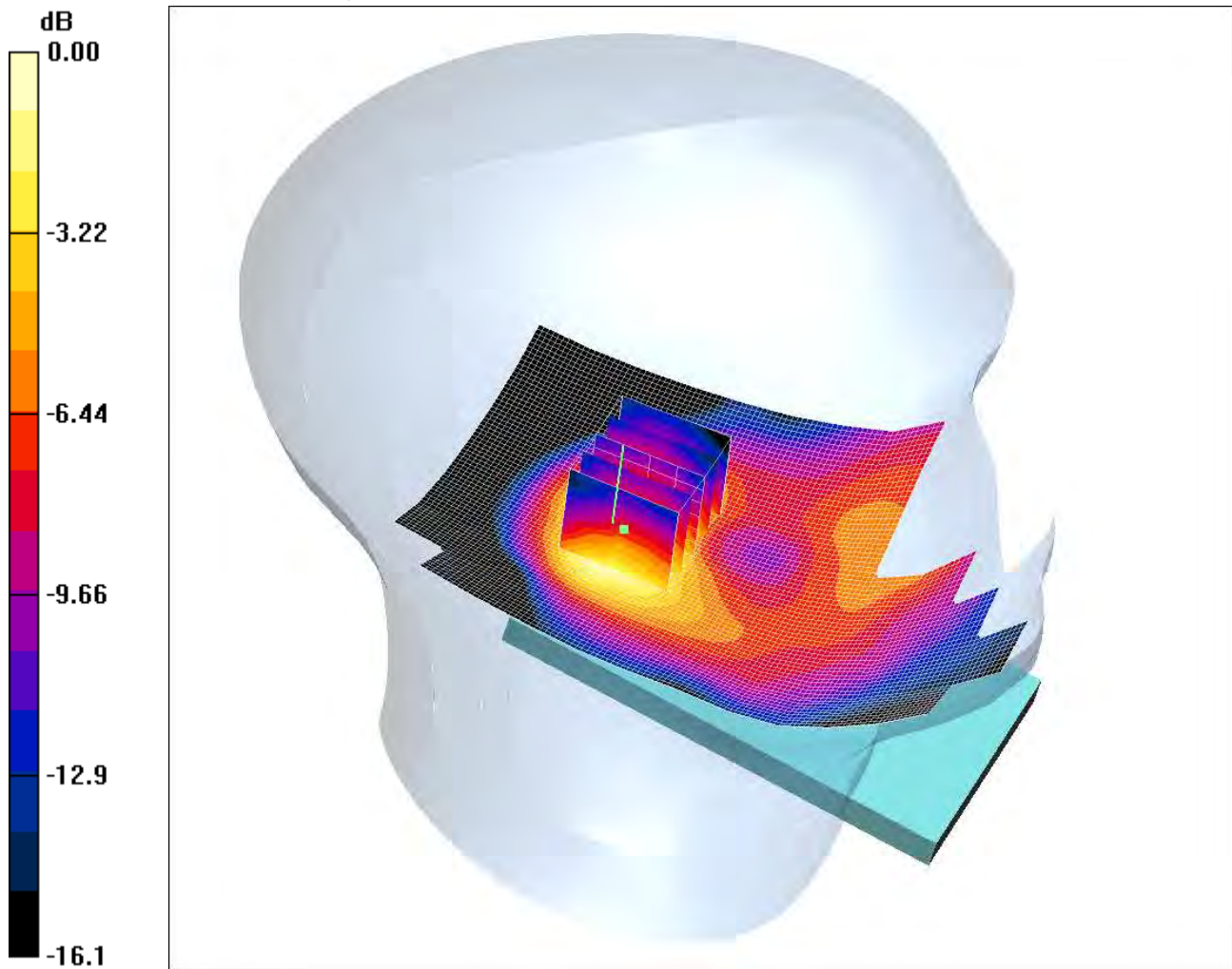
Maximum value of SAR (measured) = 0.382 mW/g



SCN/87471JD03A/024: Tilt Left Antenna Retracted PCS CH660

Date 01/05/2012

DUT: Panasonic D21BR7; Type: D21BR7; Serial: 351808050018762



0 dB = 0.206mW/g

Communication System: PCS 1900; Frequency: 1879.8 MHz; Duty Cycle: 1:8.3

Medium: 1900 MHz HSL Medium parameters used (interpolated):  $f = 1879.8$  MHz;  $\sigma = 1.4$  mho/m;  $\epsilon_r = 38.5$ ;  $\rho = 1000$  kg/m<sup>3</sup>

Phantom section: Left Section

DASY4 Configuration:

- Probe: ET3DV6 - SN1528; ConvF(4.81, 4.81, 4.81); Calibrated: 18/07/2011

- Sensor-Surface: 4mm (Mechanical Surface Detection)

- Electronics: DAE3 Sn431; Calibrated: 05/05/2011

- Phantom: SAM 12a (Site 57); Type: SAM 4.0; Serial: TP:1020

- Measurement SW: DASY4, V4.5 Build 19; Postprocessing SW: SEMCAD, V1.8 Build 145

**Tilt Left Antenna Retracted - Middle/Area Scan (71x121x1):** Measurement grid: dx=15mm, dy=15mm

Maximum value of SAR (interpolated) = 0.220 mW/g

**Tilt Left Antenna Retracted - Middle/Zoom Scan (5x5x7) (5x5x7)/Cube 0:** Measurement grid: dx=8mm, dy=8mm, dz=5mm

Reference Value = 11.1 V/m; Power Drift = -0.070 dB

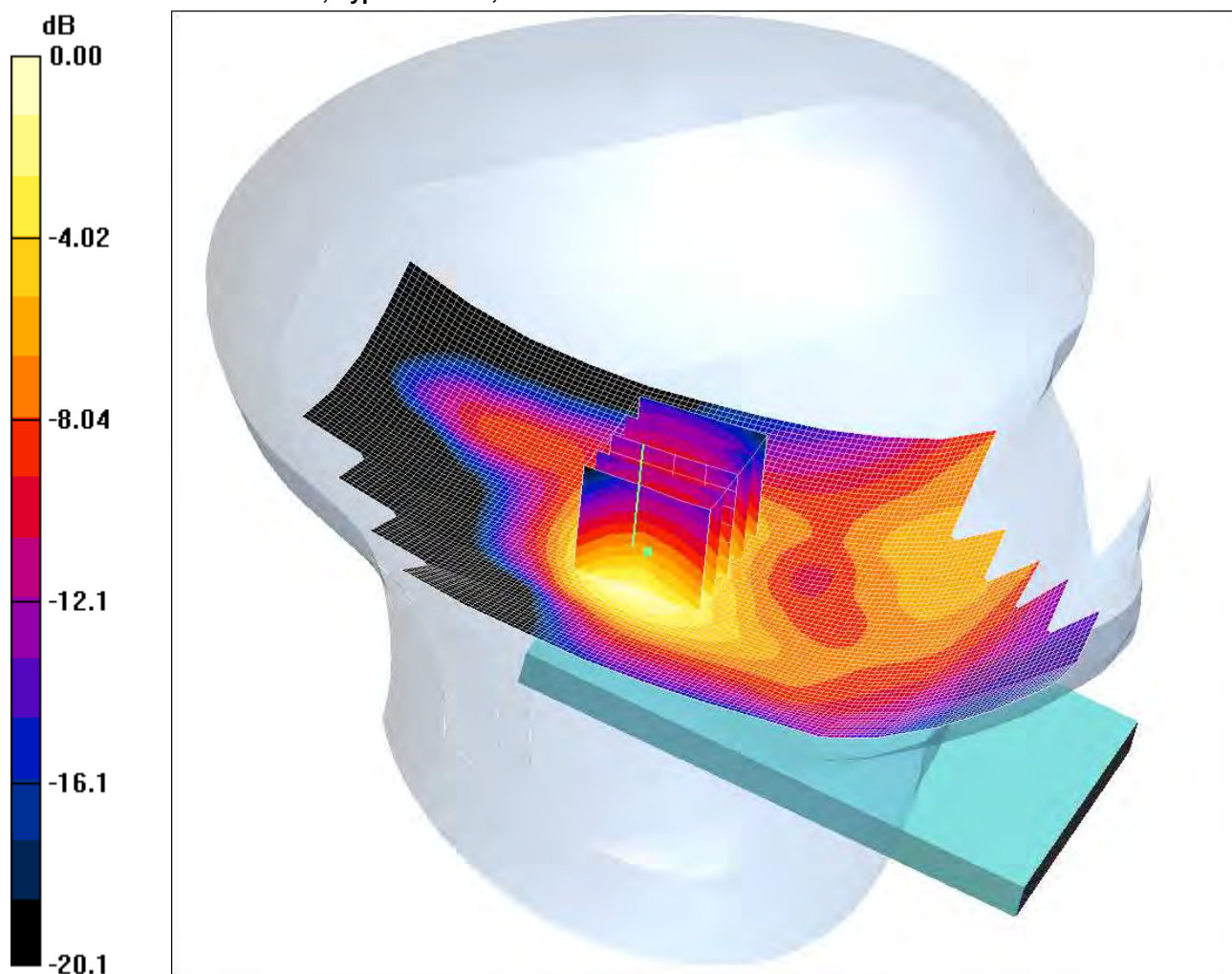
Peak SAR (extrapolated) = 0.313 W/kg

**SAR(1 g) = 0.198 mW/g; SAR(10 g) = 0.116 mW/g**

Maximum value of SAR (measured) = 0.206 mW/g



SCN/87471JD03A/025: Tilt Left Antenna Extended PCS CH660  
Date 01/05/2012  
DUT: Panasonic D21BR7; Type: D21BR7; Serial: 351808050018762



0 dB = 0.208mW/g

Communication System: PCS 1900; Frequency: 1879.8 MHz; Duty Cycle: 1:8.3  
Medium: 1900 MHz HSL Medium parameters used (interpolated):  $f = 1879.8$  MHz;  $\sigma = 1.4$  mho/m;  $\epsilon_r = 38.5$ ;  $\rho = 1000$  kg/m<sup>3</sup>

Phantom section: Left Section

DASY4 Configuration:

- Probe: ET3DV6 - SN1528; ConvF(4.81, 4.81, 4.81); Calibrated: 18/07/2011

- Sensor-Surface: 4mm (Mechanical Surface Detection)

- Electronics: DAE3 Sn431; Calibrated: 05/05/2011

- Phantom: SAM 12a (Site 57); Type: SAM 4.0; Serial: TP:1020

- Measurement SW: DASY4, V4.5 Build 19; Postprocessing SW: SEMCAD, V1.8 Build 145

**Tilt Left Antenna Extended - Middle/Area Scan (71x141x1):** Measurement grid: dx=15mm, dy=15mm

Maximum value of SAR (interpolated) = 0.226 mW/g

**Tilt Left Antenna Extended - Middle/Zoom Scan (5x5x7) 2 (5x5x7)/Cube 0:** Measurement grid: dx=8mm, dy=8mm, dz=5mm

Reference Value = 11.0 V/m; Power Drift = 0.056 dB

Peak SAR (extrapolated) = 0.295 W/kg

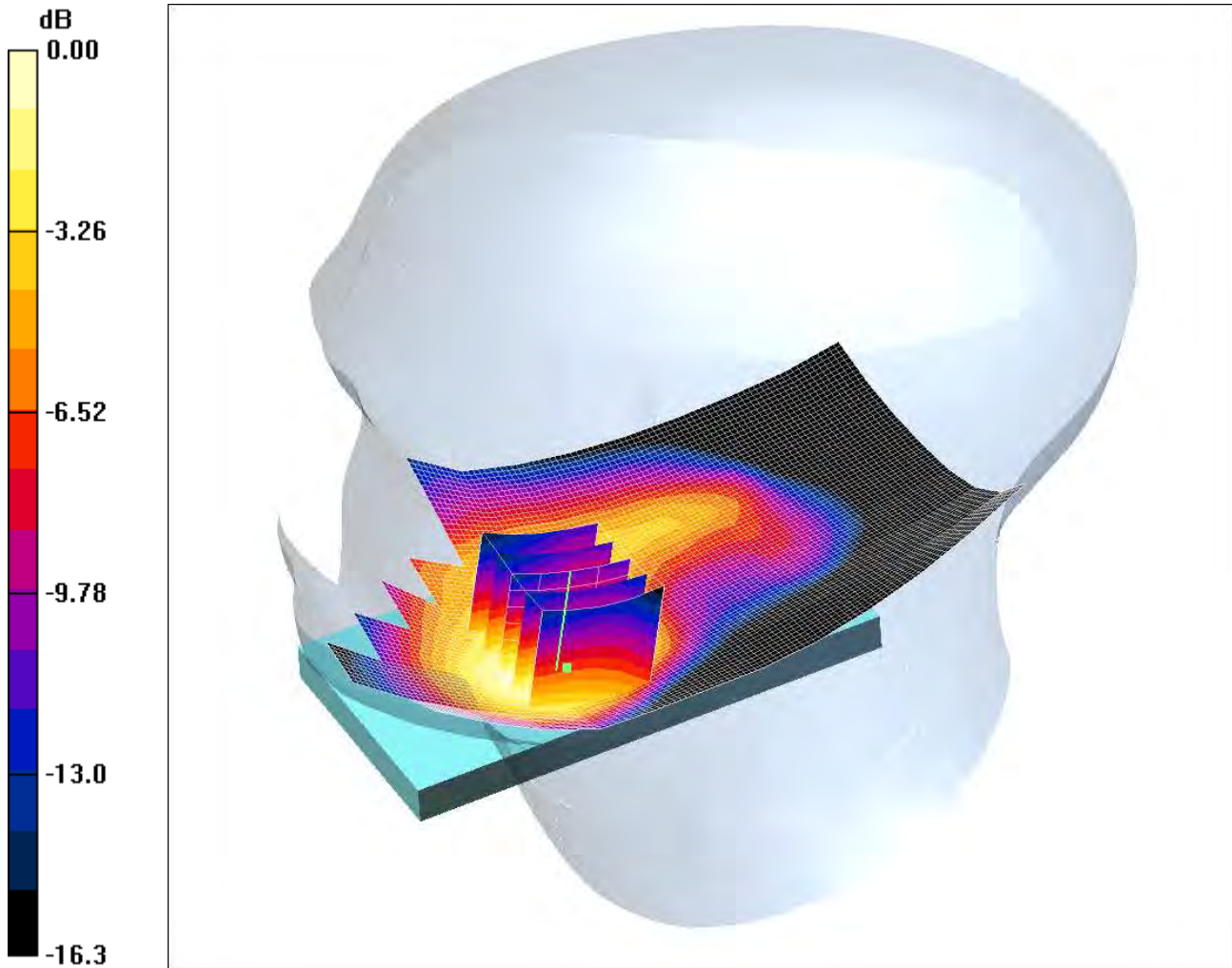
**SAR(1 g) = 0.192 mW/g; SAR(10 g) = 0.112 mW/g**

Maximum value of SAR (measured) = 0.208 mW/g

SCN/87471JD03A/026: Touch Right Antenna Retracted PCS CH660

Date 01/05/2012

DUT: Panasonic D21BR7; Type: D21BR7; Serial: 351808050018762



0 dB = 0.454mW/g

Communication System: PCS 1900; Frequency: 1879.8 MHz; Duty Cycle: 1:8.3

Medium: 1900 MHz HSL Medium parameters used (interpolated):  $f = 1879.8$  MHz;  $\sigma = 1.4$  mho/m;  $\epsilon_r = 38.5$ ;  $\rho = 1000$  kg/m<sup>3</sup>

Phantom section: Right Section

DASY4 Configuration:

- Probe: ET3DV6 - SN1528; ConvF(4.81, 4.81, 4.81); Calibrated: 18/07/2011

- Sensor-Surface: 4mm (Mechanical Surface Detection)

- Electronics: DAE3 Sn431; Calibrated: 05/05/2011

- Phantom: SAM 12a (Site 57); Type: SAM 4.0; Serial: TP:1020

- Measurement SW: DASY4, V4.5 Build 19; Postprocessing SW: SEMCAD, V1.8 Build 145

**Touch Right Antenna Retracted - Middle/Area Scan (71x121x1):** Measurement grid: dx=15mm, dy=15mm

Maximum value of SAR (interpolated) = 0.464 mW/g

**Touch Right Antenna Retracted - Middle/Zoom Scan (5x5x7) 2 (5x5x7)/Cube 0:** Measurement grid: dx=8mm, dy=8mm, dz=5mm

Reference Value = 7.09 V/m; Power Drift = 0.082 dB

Peak SAR (extrapolated) = 0.643 W/kg

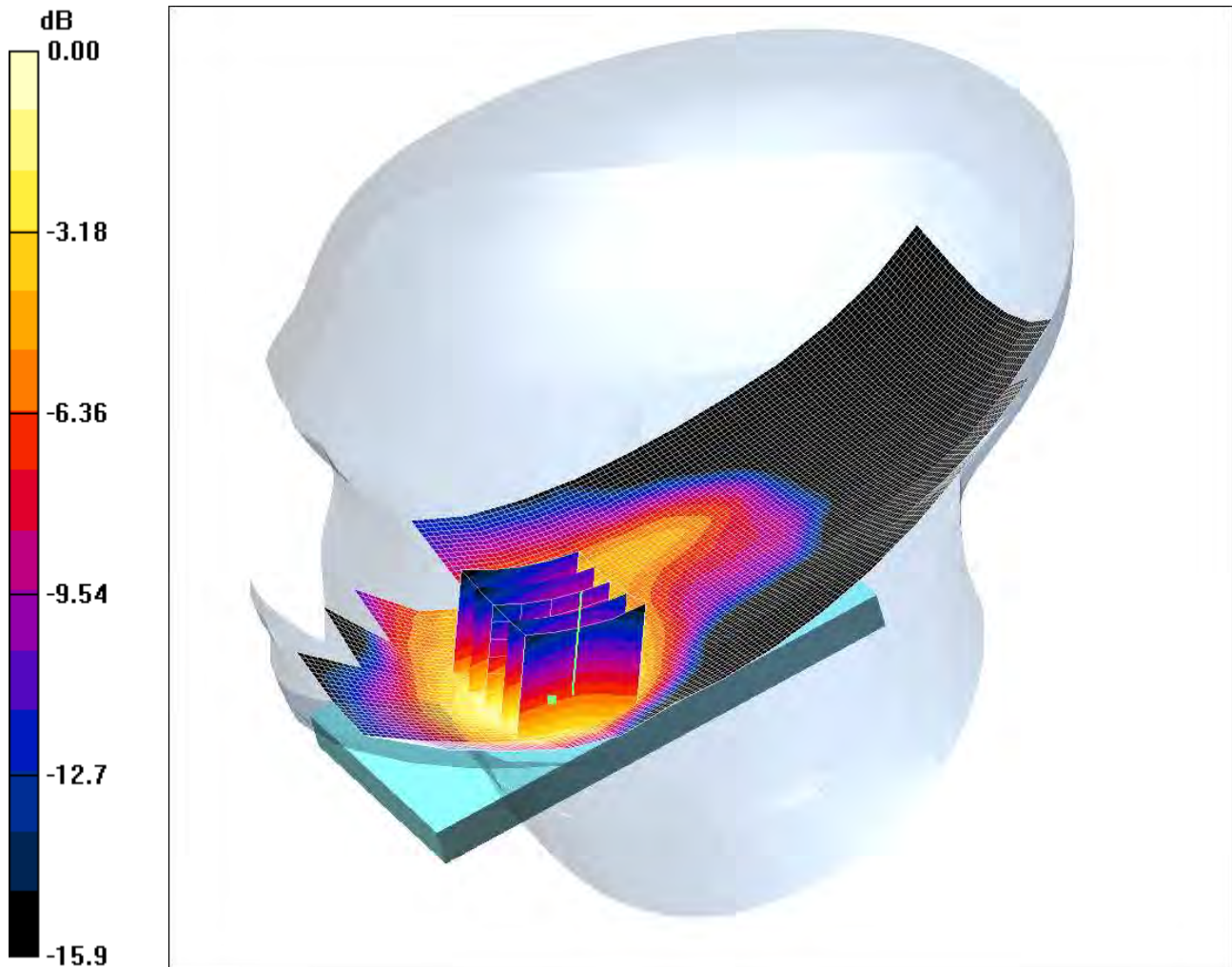
**SAR(1 g) = 0.421 mW/g; SAR(10 g) = 0.256 mW/g**

Maximum value of SAR (measured) = 0.454 mW/g

SCN/87471JD03A/027: Touch Right Antenna Extended PCS CH660

Date 01/05/2012

DUT: Panasonic D21BR7; Type: D21BR7; Serial: 351808050018762



0 dB = 0.455mW/g

Communication System: PCS 1900; Frequency: 1879.8 MHz; Duty Cycle: 1:8.3

Medium: 1900 MHz HSL Medium parameters used (interpolated):  $f = 1879.8$  MHz;  $\sigma = 1.4$  mho/m;  $\epsilon_r = 38.5$ ;  $\rho = 1000$  kg/m<sup>3</sup>

Phantom section: Right Section

DASY4 Configuration:

- Probe: ET3DV6 - SN1528; ConvF(4.81, 4.81, 4.81); Calibrated: 18/07/2011

- Sensor-Surface: 4mm (Mechanical Surface Detection)

- Electronics: DAE3 Sn431; Calibrated: 05/05/2011

- Phantom: SAM 12a (Site 57); Type: SAM 4.0; Serial: TP:1020

- Measurement SW: DASY4, V4.5 Build 19; Postprocessing SW: SEMCAD, V1.8 Build 145

**Touch Right Antenna Extended - Middle/Area Scan (71x141x1):** Measurement grid: dx=15mm, dy=15mm

Maximum value of SAR (interpolated) = 0.453 mW/g

**Touch Right Antenna Extended - Middle/Zoom Scan (5x5x7) 2 (5x5x7)/Cube 0:** Measurement grid: dx=8mm, dy=8mm, dz=5mm

Reference Value = 6.64 V/m; Power Drift = -0.106 dB

Peak SAR (extrapolated) = 0.649 W/kg

**SAR(1 g) = 0.422 mW/g; SAR(10 g) = 0.254 mW/g**

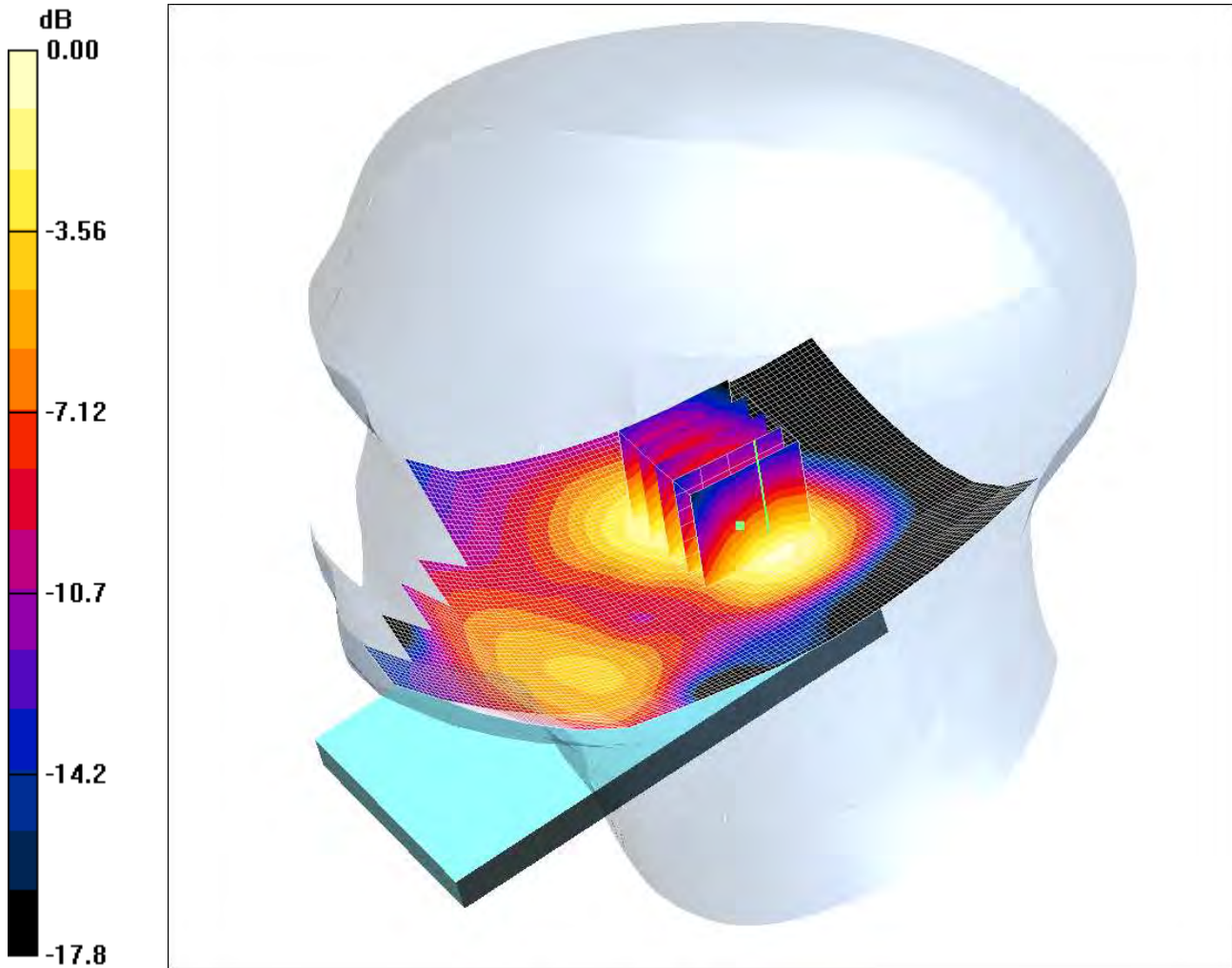
Maximum value of SAR (measured) = 0.455 mW/g



SCN/87471JD03A/028: Tilt Right Antenna Retracted PCS CH660

Date 01/05/2012

DUT: Panasonic D21BR7; Type: D21BR7; Serial: 351808050018762



0 dB = 0.190mW/g

Communication System: PCS 1900; Frequency: 1879.8 MHz; Duty Cycle: 1:8.3

Medium: 1900 MHz HSL Medium parameters used (interpolated):  $f = 1879.8$  MHz;  $\sigma = 1.4$  mho/m;  $\epsilon_r = 38.5$ ;  $\rho = 1000$  kg/m<sup>3</sup>

Phantom section: Right Section

DASY4 Configuration:

- Probe: ET3DV6 - SN1528; ConvF(4.81, 4.81, 4.81); Calibrated: 18/07/2011

- Sensor-Surface: 4mm (Mechanical Surface Detection)

- Electronics: DAE3 Sn431; Calibrated: 05/05/2011

- Phantom: SAM 12a (Site 57); Type: SAM 4.0; Serial: TP:1020

- Measurement SW: DASY4, V4.5 Build 19; Postprocessing SW: SEMCAD, V1.8 Build 145

**Tilt Right Antenna Retracted - Middle/Area Scan (71x121x1):** Measurement grid: dx=15mm, dy=15mm

Maximum value of SAR (interpolated) = 0.218 mW/g

**Tilt Right Antenna Retracted - Middle/Zoom Scan (5x5x7) 2 (5x5x7)/Cube 0:** Measurement grid: dx=8mm, dy=8mm, dz=5mm

Reference Value = 11.1 V/m; Power Drift = -0.106 dB

Peak SAR (extrapolated) = 0.270 W/kg

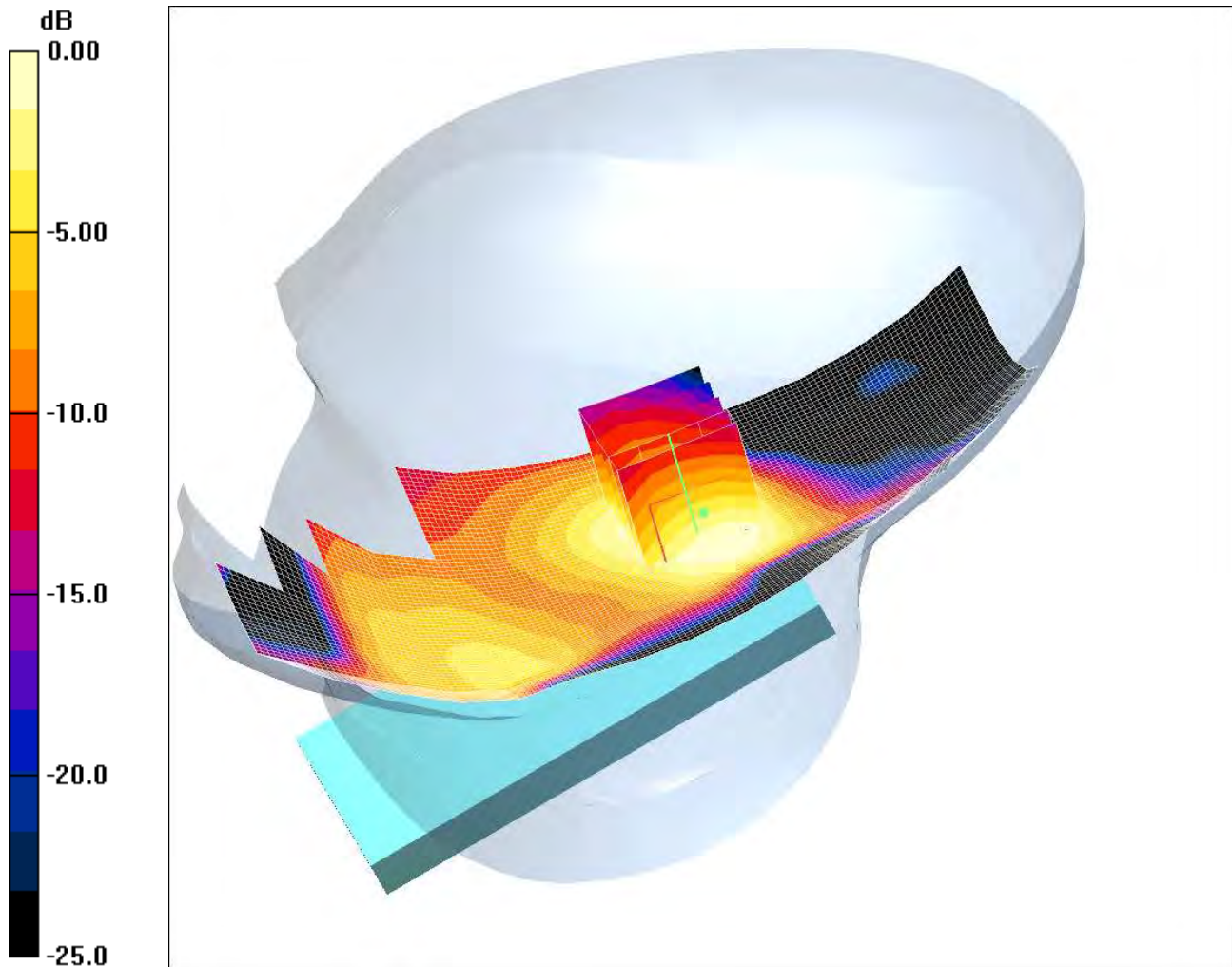
**SAR(1 g) = 0.176 mW/g; SAR(10 g) = 0.109 mW/g**

Maximum value of SAR (measured) = 0.190 mW/g

SCN/87471JD03A/029: Tilt Right Antenna Extended PCS CH660

Date 01/05/2012

DUT: Panasonic D21BR7; Type: D21BR7; Serial: 351808050018762



0 dB = 0.195mW/g

Communication System: PCS 1900; Frequency: 1879.8 MHz; Duty Cycle: 1:8.3

Medium: 1900 MHz HSL Medium parameters used (interpolated):  $f = 1879.8$  MHz;  $\sigma = 1.4$  mho/m;  $\epsilon_r = 38.5$ ;  $\rho = 1000$  kg/m<sup>3</sup>

Phantom section: Right Section

DASY4 Configuration:

- Probe: ET3DV6 - SN1528; ConvF(4.81, 4.81, 4.81); Calibrated: 18/07/2011

- Sensor-Surface: 4mm (Mechanical Surface Detection)

- Electronics: DAE3 Sn431; Calibrated: 05/05/2011

- Phantom: SAM 12a (Site 57); Type: SAM 4.0; Serial: TP:1020

- Measurement SW: DASY4, V4.5 Build 19; Postprocessing SW: SEMCAD, V1.8 Build 145

**Tilt Right Antenna Extended - Middle/Area Scan (71x141x1):** Measurement grid: dx=15mm, dy=15mm

Maximum value of SAR (interpolated) = 0.222 mW/g

**Tilt Right Antenna Extended - Middle/Zoom Scan (5x5x7) 2 (5x5x7)/Cube 0:** Measurement grid: dx=8mm, dy=8mm, dz=5mm

Reference Value = 11.5 V/m; Power Drift = -0.063 dB

Peak SAR (extrapolated) = 0.298 W/kg

**SAR(1 g) = 0.190 mW/g; SAR(10 g) = 0.114 mW/g**

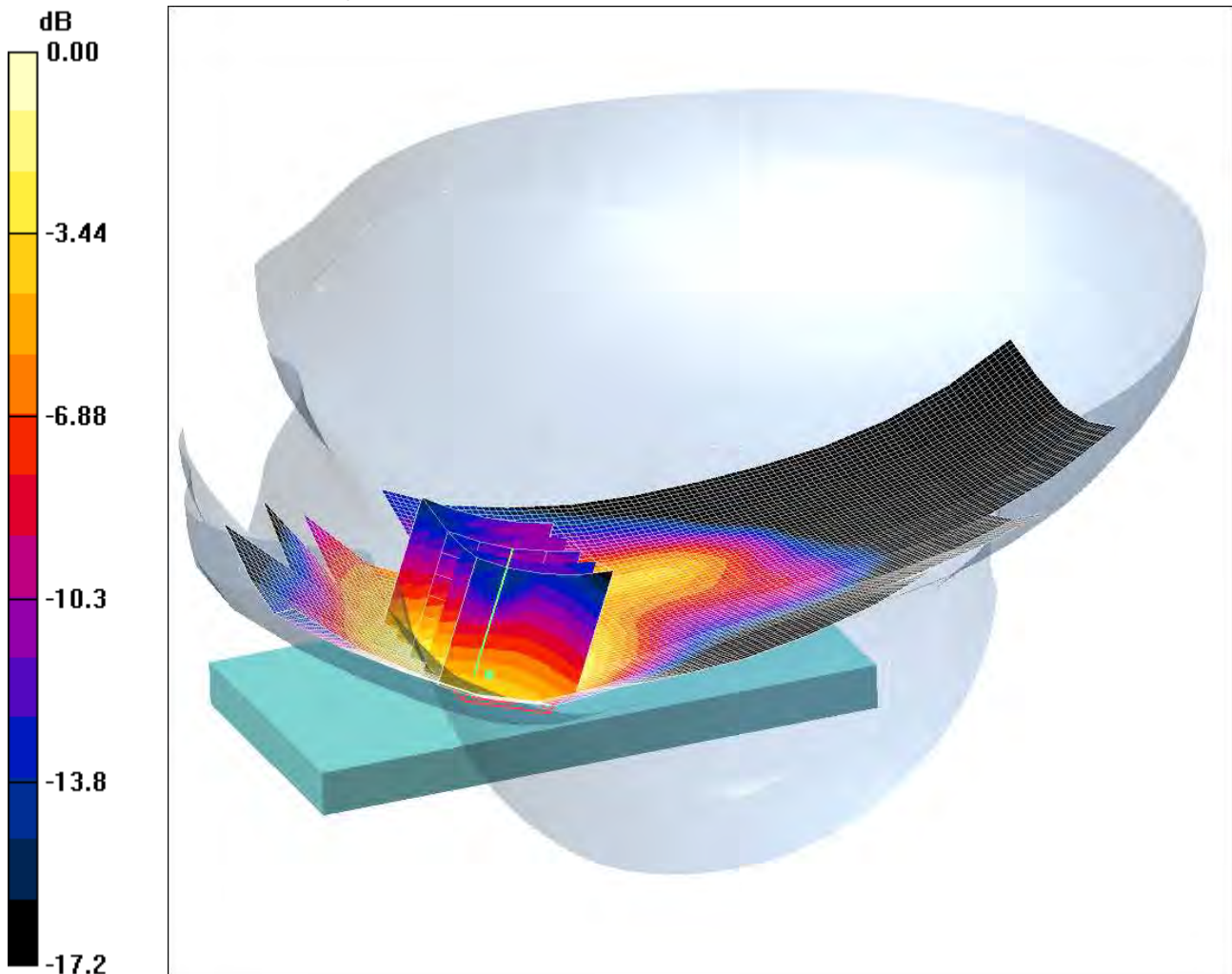
Maximum value of SAR (measured) = 0.195 mW/g



SCN/87471JD03A/030: Touch Right Antenna Extended GPRS CH660

Date: 16/05/2012

DUT: Panasonic D21BR7; Type: D21BR7; Serial: 351808050018762



0 dB = 0.504mW/g

Communication System: GPRS 1900 4Tx; Frequency: 1879.8 MHz; Duty Cycle: 1:2

Medium: 1900 MHz HSL Medium parameters used (interpolated):  $f = 1879.8$  MHz;  $\sigma = 1.42$  mho/m;  $\epsilon_r = 38.7$ ;  $\rho = 1000$  kg/m<sup>3</sup>

Phantom section: Right Section

DASY4 Configuration:

- Probe: ET3DV6 - SN1528; ConvF(4.81, 4.81, 4.81); Calibrated: 18/07/2011

- Sensor-Surface: 4mm (Mechanical Surface Detection)

- Electronics: DAE3 Sn432; Calibrated: 02/05/2012

- Phantom: SAM 12b (Site 57); Type: SAM 4.0; Serial: TP:1031

- Measurement SW: DASY4, V4.5 Build 19; Postprocessing SW: SEMCAD, V1.8 Build 145

**Touch Right Antenna Extended - Middle/Area Scan (71x141x1):** Measurement grid: dx=15mm, dy=15mm

Maximum value of SAR (interpolated) = 0.521 mW/g

**Touch Right Antenna Extended - Middle/Zoom Scan (5x5x7) 2 (5x5x7)/Cube 0:** Measurement grid: dx=8mm, dy=8mm, dz=5mm

Reference Value = 6.82 V/m; Power Drift = -0.052 dB

Peak SAR (extrapolated) = 0.728 W/kg

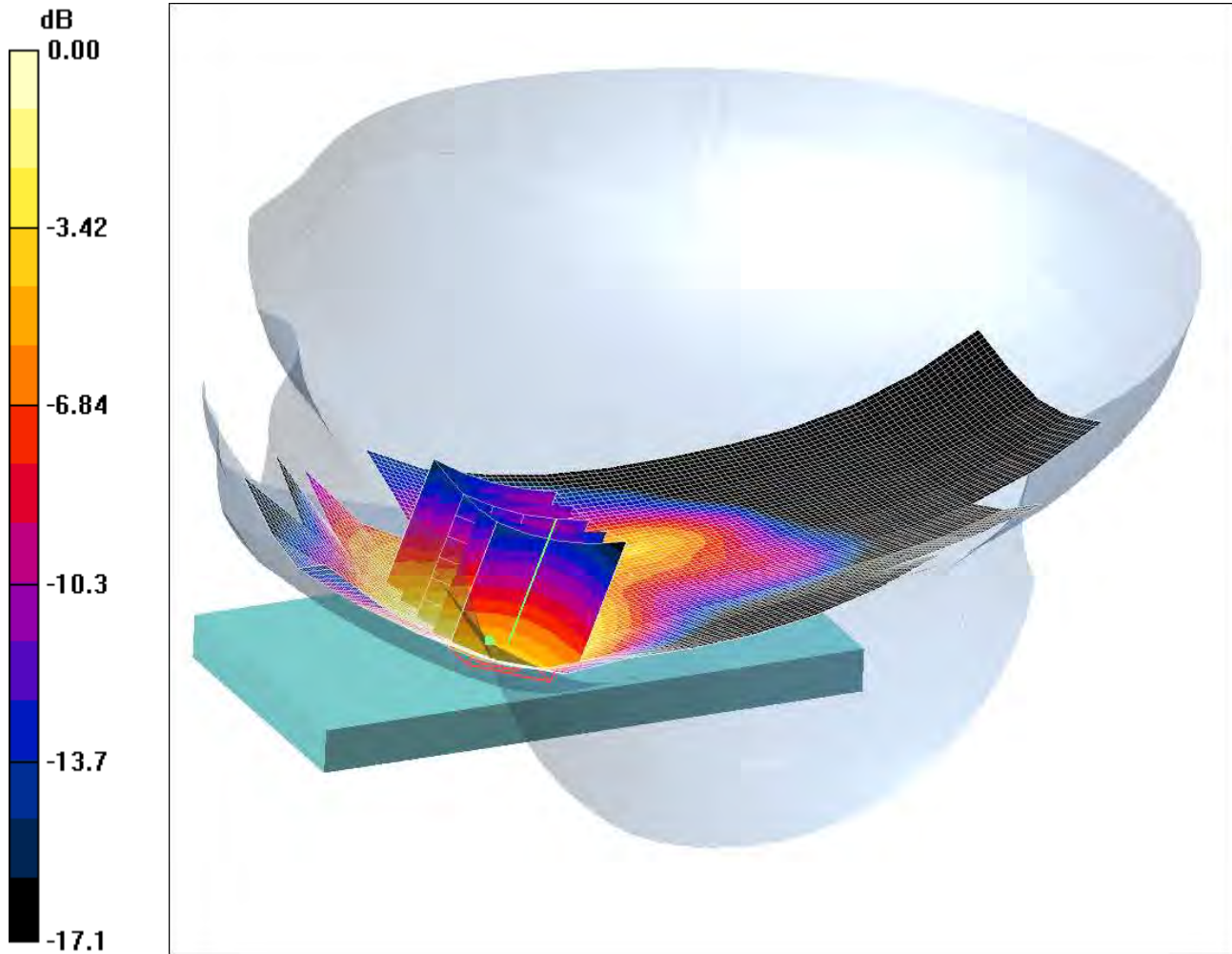
**SAR(1 g) = 0.470 mW/g; SAR(10 g) = 0.283 mW/g**

Maximum value of SAR (measured) = 0.504 mW/g

SCN/87471JD03A/031: Touch Right Antenna Extended EDGE CH660

Date: 16/05/2012

DUT: Panasonic D21BR7; Type: D21BR7; Serial: 351808050018762



0 dB = 0.523mW/g

Communication System: EDGE 1900 4Tx; Frequency: 1879.8 MHz; Duty Cycle: 1:2

Medium: 1900 MHz HSL Medium parameters used (interpolated):  $f = 1879.8$  MHz;  $\sigma = 1.42$  mho/m;  $\epsilon_r = 38.7$ ;  $\rho = 1000$  kg/m<sup>3</sup>

Phantom section: Right Section

DASY4 Configuration:

- Probe: ET3DV6 - SN1528; ConvF(4.81, 4.81, 4.81); Calibrated: 18/07/2011

- Sensor-Surface: 4mm (Mechanical Surface Detection)

- Electronics: DAE3 Sn432; Calibrated: 02/05/2012

- Phantom: SAM 12b (Site 57); Type: SAM 4.0; Serial: TP:1031

- Measurement SW: DASY4, V4.5 Build 19; Postprocessing SW: SEMCAD, V1.8 Build 145

**Touch Right Antenna Extended - Middle/Area Scan (71x141x1):** Measurement grid: dx=15mm, dy=15mm

Maximum value of SAR (interpolated) = 0.525 mW/g

**Touch Right Antenna Extended - Middle/Zoom Scan (5x5x7) 2 (5x5x7)/Cube 0:** Measurement grid: dx=8mm, dy=8mm, dz=5mm

Reference Value = 6.98 V/m; Power Drift = -0.032 dB

Peak SAR (extrapolated) = 0.769 W/kg

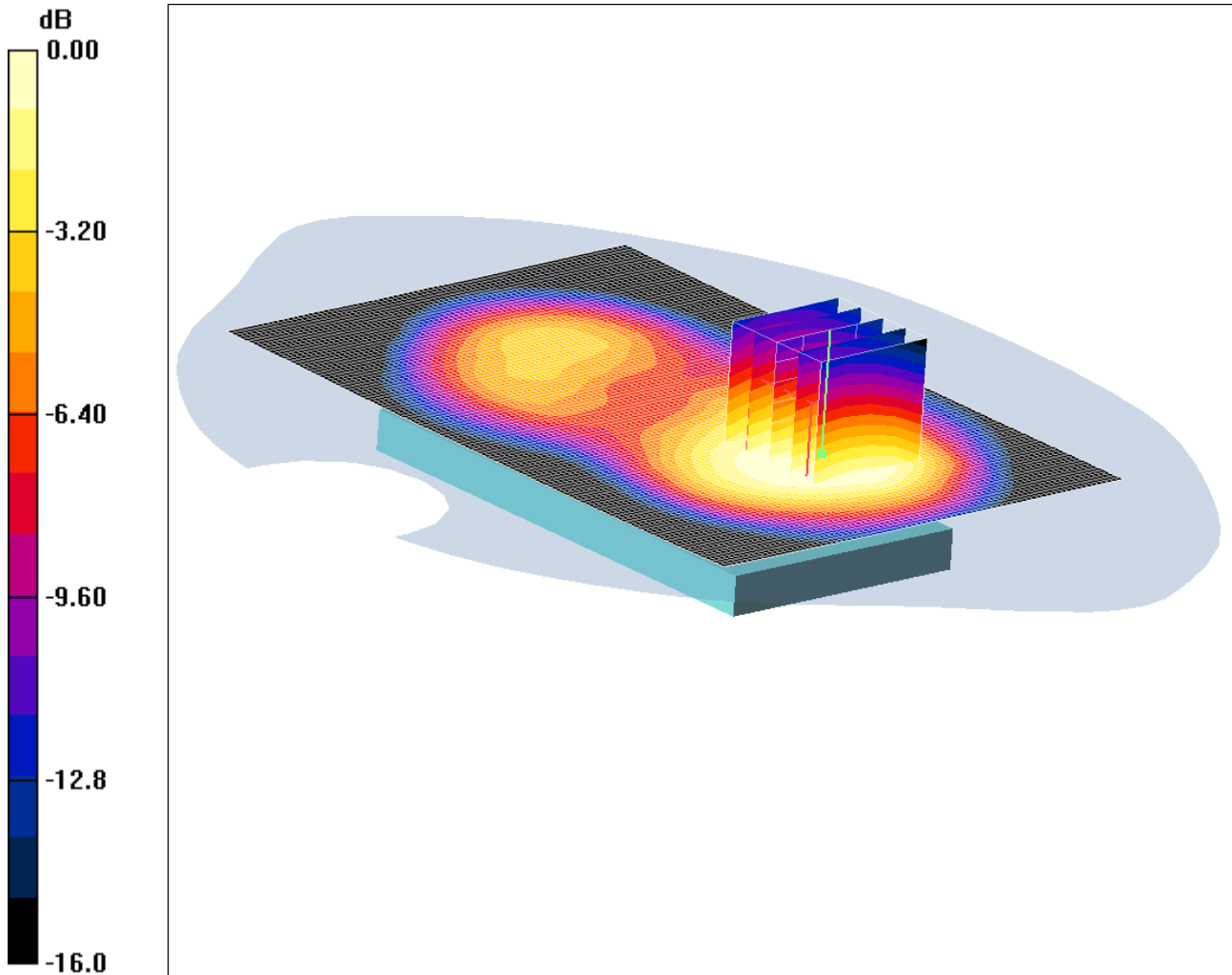
**SAR(1 g) = 0.492 mW/g; SAR(10 g) = 0.294 mW/g**

Maximum value of SAR (measured) = 0.523 mW/g

SCN/87471JD03A/032: Front of EUT Facing Phantom with Antenna Retracted GPRS CH660

Date: 14/05/2012

DUT: Panasonic D21BR7; Type: D21BR7; Serial: 351808050018762



0 dB = 0.492mW/g

Communication System: GPRS 1900 4Tx; Frequency: 1879.8 MHz; Duty Cycle: 1:2

Medium: 1900 MHz MSL Medium parameters used (interpolated):  $f = 1879.8$  MHz;  $\sigma = 1.56$  mho/m;  $\epsilon_r = 50.9$ ;  $\rho = 1000$  kg/m<sup>3</sup>

Phantom section: Flat Section

DASY4 Configuration:

- Probe: ET3DV6 - SN1528; ConvF(4.37, 4.37, 4.37); Calibrated: 18/07/2011

- Sensor-Surface: 4mm (Mechanical Surface Detection)

- Electronics: DAE3 Sn432; Calibrated: 02/05/2012

- Phantom: SAM 12b (Site 57); Type: SAM 4.0; Serial: TP:1031

- Measurement SW: DASY4, V4.5 Build 19; Postprocessing SW: SEMCAD, V1.8 Build 145

**Front of EUT Facing Phantom with Antenna Retracted - Middle/Area Scan (81x121x1):** Measurement grid:

dx=15mm, dy=15mm

Maximum value of SAR (interpolated) = 0.520 mW/g

**Front of EUT Facing Phantom with Antenna Retracted - Middle/Zoom Scan (5x5x7) 2 (5x5x7)/Cube 0:**

Measurement grid: dx=8mm, dy=8mm, dz=5mm

Reference Value = 9.01 V/m; Power Drift = -0.110 dB

Peak SAR (extrapolated) = 0.680 W/kg

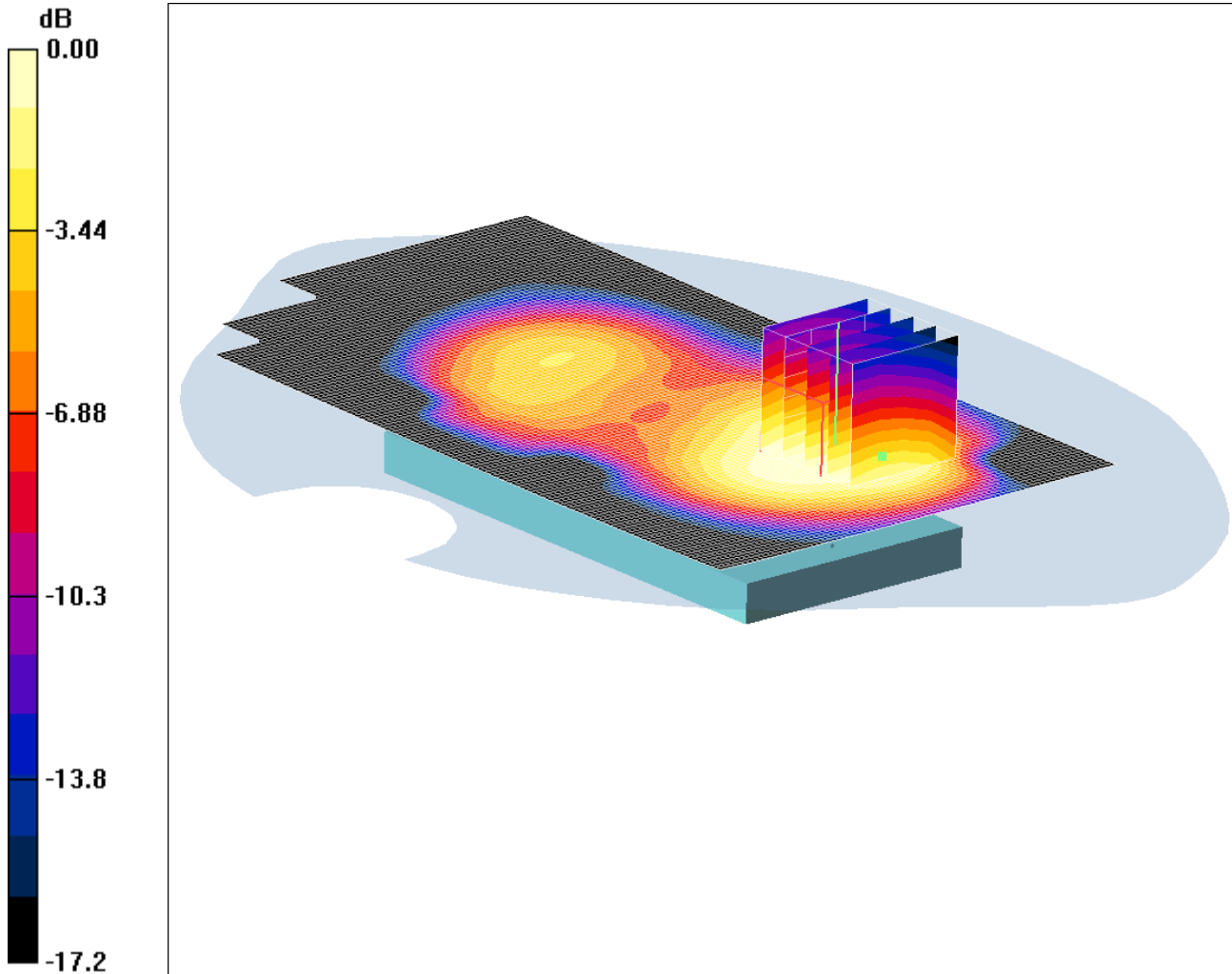
**SAR(1 g) = 0.462 mW/g; SAR(10 g) = 0.301 mW/g**

Maximum value of SAR (measured) = 0.492 mW/g

SCN/87471JD03A/033: Front of EUT Facing Phantom with Antenna Extended GPRS CH660

Date: 14/05/2012

DUT: Panasonic D21BR7; Type: D21BR7; Serial: 351808050018762



0 dB = 0.489mW/g

Communication System: GPRS 1900 4Tx; Frequency: 1879.8 MHz; Duty Cycle: 1:2

Medium: 1900 MHz MSL Medium parameters used (interpolated):  $f = 1879.8 \text{ MHz}$ ;  $\sigma = 1.56 \text{ mho/m}$ ;  $\epsilon_r = 50.9$ ;  $\rho = 1000 \text{ kg/m}^3$

Phantom section: Flat Section

DASY4 Configuration:

- Probe: ET3DV6 - SN1528; ConvF(4.37, 4.37, 4.37); Calibrated: 18/07/2011

- Sensor-Surface: 4mm (Mechanical Surface Detection)

- Electronics: DAE3 Sn432; Calibrated: 02/05/2012

- Phantom: SAM 12b (Site 57); Type: SAM 4.0; Serial: TP:1031

- Measurement SW: DASY4, V4.5 Build 19; Postprocessing SW: SEMCAD, V1.8 Build 145

**Front of EUT Facing Phantom with Antenna Extended - Middle 2/Area Scan (81x141x1):** Measurement grid:

$dx=15\text{mm}$ ,  $dy=15\text{mm}$

Maximum value of SAR (interpolated) = 0.511 mW/g

**Front of EUT Facing Phantom with Antenna Extended - Middle 2/Zoom Scan (5x5x7) 2 2 (5x5x7)/Cube 0:**

Measurement grid:  $dx=8\text{mm}$ ,  $dy=8\text{mm}$ ,  $dz=5\text{mm}$

Reference Value = 9.33 V/m; Power Drift = -0.053 dB

Peak SAR (extrapolated) = 0.674 W/kg

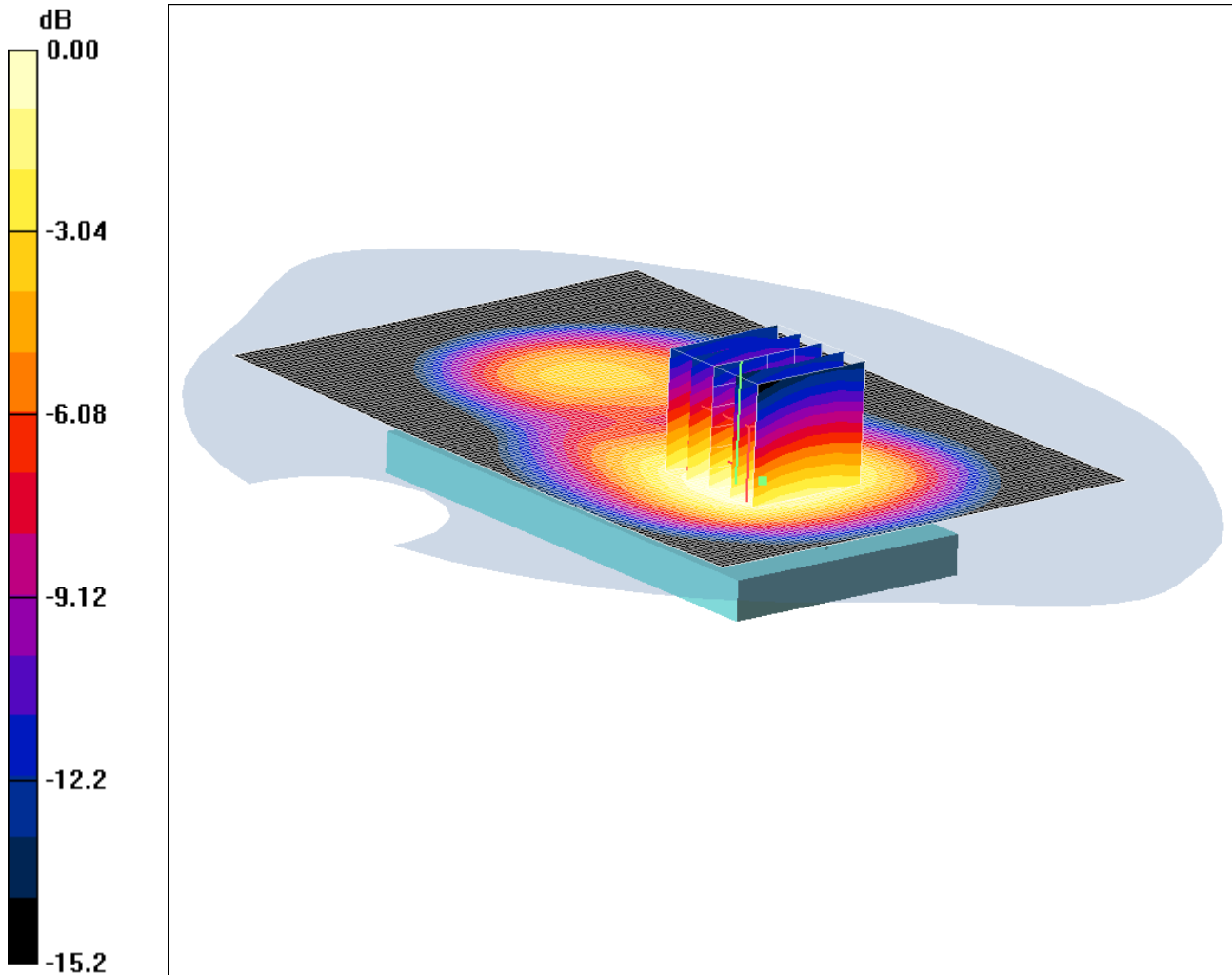
**SAR(1 g) = 0.454 mW/g; SAR(10 g) = 0.293 mW/g**

Maximum value of SAR (measured) = 0.489 mW/g

SCN/87471JD03A/034: Back of EUT Facing Phantom with Antenna Retracted GPRS CH660

Date: 15/05/2012

DUT: Panasonic D21BR7; Type: D21BR7; Serial: 351808050018762



0 dB = 0.640mW/g

Communication System: GPRS 1900 4Tx; Frequency: 1879.8 MHz; Duty Cycle: 1:2

Medium: 1900 MHz MSL Medium parameters used (interpolated):  $f = 1879.8$  MHz;  $\sigma = 1.56$  mho/m;  $\epsilon_r = 50.9$ ;  $\rho = 1000$  kg/m<sup>3</sup>

Phantom section: Flat Section

DASY4 Configuration:

- Probe: ET3DV6 - SN1528; ConvF(4.37, 4.37, 4.37); Calibrated: 18/07/2011

- Sensor-Surface: 4mm (Mechanical Surface Detection)

- Electronics: DAE3 Sn432; Calibrated: 02/05/2012

- Phantom: SAM 12b (Site 57); Type: SAM 4.0; Serial: TP:1031

- Measurement SW: DASY4, V4.5 Build 19; Postprocessing SW: SEMCAD, V1.8 Build 145

**Back of EUT Facing Phantom with Antenna Retracted - Middle/Area Scan (81x121x1):** Measurement grid:

dx=15mm, dy=15mm

Maximum value of SAR (interpolated) = 0.642 mW/g

**Back of EUT Facing Phantom with Antenna Retracted - Middle/Zoom Scan (5x5x7) 2 (5x5x7)/Cube 0:**

Measurement grid: dx=8mm, dy=8mm, dz=5mm

Reference Value = 9.52 V/m; Power Drift = -0.156 dB

Peak SAR (extrapolated) = 0.916 W/kg

**SAR(1 g) = 0.593 mW/g; SAR(10 g) = 0.379 mW/g**

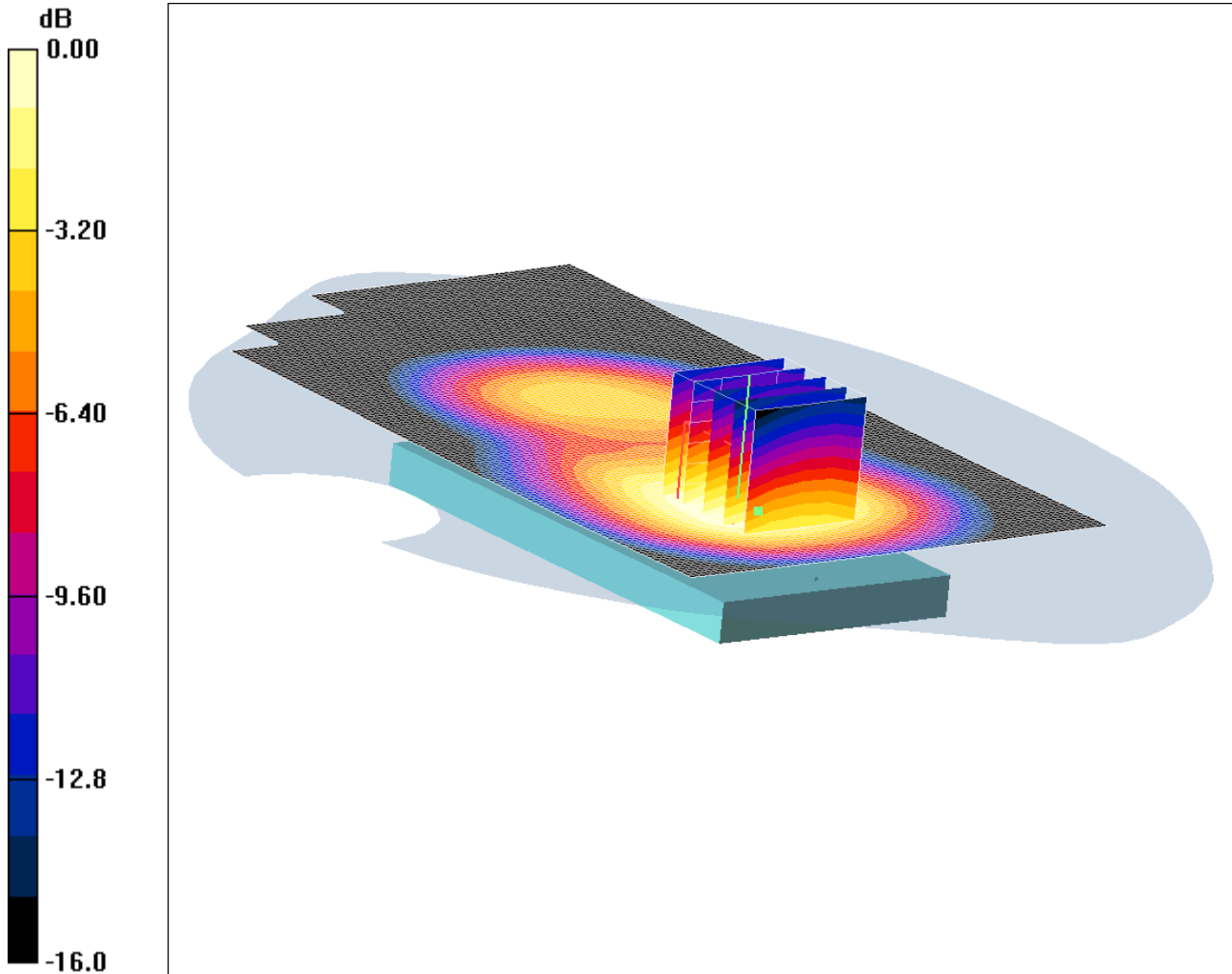
Maximum value of SAR (measured) = 0.640 mW/g



SCN/87471JD03A/035: Back of EUT Facing Phantom with Antenna Extended GPRS CH660

Date: 15/05/201

DUT: Panasonic D21BR7; Type: D21BR7; Serial: 351808050018762



0 dB = 0.610mW/g

Communication System: GPRS 1900 4Tx; Frequency: 1879.8 MHz; Duty Cycle: 1:2

Medium: 1900 MHz MSL Medium parameters used (interpolated):  $f = 1879.8 \text{ MHz}$ ;  $\sigma = 1.56 \text{ mho/m}$ ;  $\epsilon_r = 50.9$ ;  $\rho = 1000 \text{ kg/m}^3$

Phantom section: Flat Section

DASY4 Configuration:

- Probe: ET3DV6 - SN1528; ConvF(4.37, 4.37, 4.37); Calibrated: 18/07/2011

- Sensor-Surface: 4mm (Mechanical Surface Detection)

- Electronics: DAE3 Sn432; Calibrated: 02/05/2012

- Phantom: SAM 12b (Site 57); Type: SAM 4.0; Serial: TP:1031

- Measurement SW: DASY4, V4.5 Build 19; Postprocessing SW: SEMCAD, V1.8 Build 145

**Back of EUT Facing Phantom with Antenna Extended - Middle 2/Area Scan (81x141x1):** Measurement grid:

$dx=15\text{mm}$ ,  $dy=15\text{mm}$

Maximum value of SAR (interpolated) = 0.619 mW/g

**Back of EUT Facing Phantom with Antenna Extended - Middle 2/Zoom Scan (5x5x7) 2 2 (5x5x7)/Cube 0:**

Measurement grid:  $dx=8\text{mm}$ ,  $dy=8\text{mm}$ ,  $dz=5\text{mm}$

Reference Value = 9.97 V/m; Power Drift = 0.072 dB

Peak SAR (extrapolated) = 0.882 W/kg

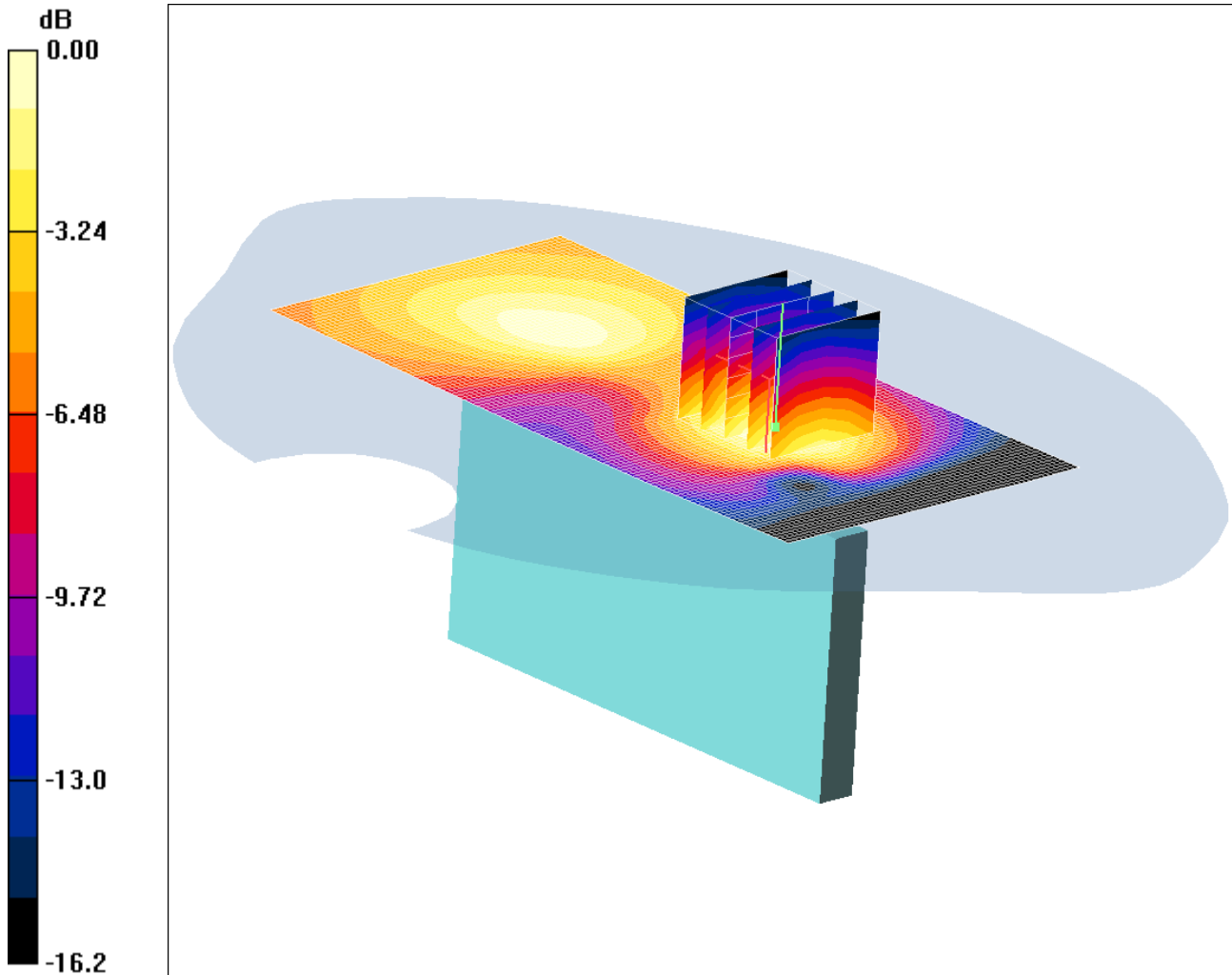
**SAR(1 g) = 0.578 mW/g; SAR(10 g) = 0.368 mW/g**

Maximum value of SAR (measured) = 0.610 mW/g

SCN/87471JD03A/036: Left Hand Side of EUT Facing Phantom with Antenna Retracted GPRS CH660

Date: 15/05/2012

DUT: Panasonic D21BR7; Type: D21BR7; Serial: 351808050018762



0 dB = 0.098mW/g

Communication System: GPRS 1900 4Tx; Frequency: 1879.8 MHz; Duty Cycle: 1:2

Medium: 1900 MHz MSL Medium parameters used (interpolated):  $f = 1879.8 \text{ MHz}$ ;  $\sigma = 1.56 \text{ mho/m}$ ;  $\epsilon_r = 50.9$ ;  $\rho = 1000 \text{ kg/m}^3$

Phantom section: Flat Section

DASY4 Configuration:

- Probe: ET3DV6 - SN1528; ConvF(4.37, 4.37, 4.37); Calibrated: 18/07/2011

- Sensor-Surface: 4mm (Mechanical Surface Detection)

- Electronics: DAE3 Sn432; Calibrated: 02/05/2012

- Phantom: SAM 12b (Site 57); Type: SAM 4.0; Serial: TP:1031

- Measurement SW: DASY4, V4.5 Build 19; Postprocessing SW: SEMCAD, V1.8 Build 145

**Left Hand Side of EUT Facing Phantom with Antenna Retracted - Middle/Area Scan (61x121x1):**

Measurement grid:  $dx=15\text{mm}$ ,  $dy=15\text{mm}$

Maximum value of SAR (interpolated) = 0.097 mW/g

**Left Hand Side of EUT Facing Phantom with Antenna Retracted - Middle/Zoom Scan (5x5x7) 2 2**

**(5x5x7)/Cube 0:** Measurement grid:  $dx=8\text{mm}$ ,  $dy=8\text{mm}$ ,  $dz=5\text{mm}$

Reference Value = 4.77 V/m; Power Drift = -0.015 dB

Peak SAR (extrapolated) = 0.144 W/kg

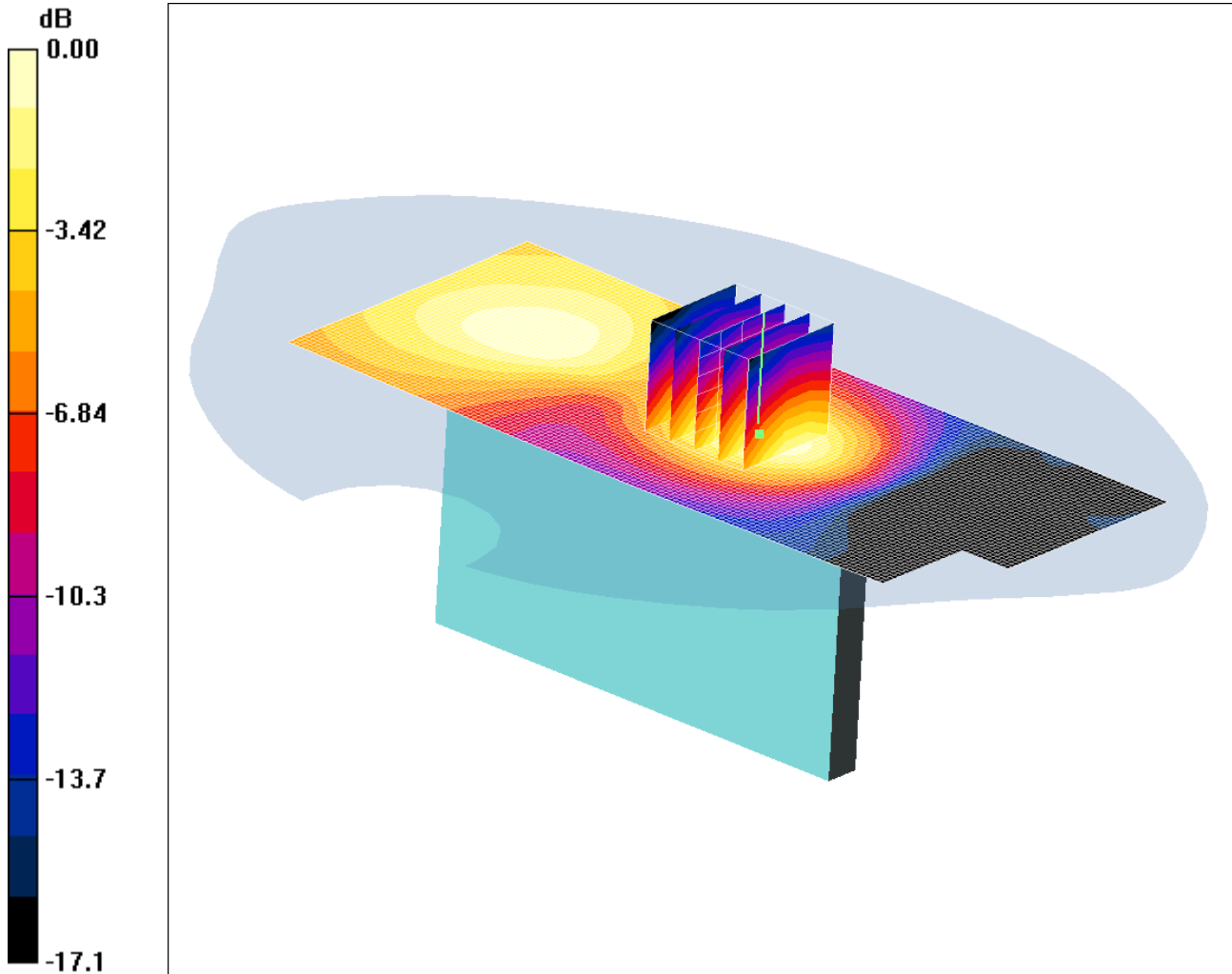
**SAR(1 g) = 0.091 mW/g; SAR(10 g) = 0.054 mW/g**

Maximum value of SAR (measured) = 0.098 mW/g

SCN/87471JD03A/037: Left Hand Side of EUT Facing Phantom with Antenna Extended GPRS CH660

Date: 15/05/2012

DUT: Panasonic D21BR7; Type: D21BR7; Serial: 351808050018762



0 dB = 0.083mW/g

Communication System: GPRS 1900 4Tx; Frequency: 1879.8 MHz; Duty Cycle: 1:2

Medium: 1900 MHz MSL Medium parameters used (interpolated):  $f = 1879.8$  MHz;  $\sigma = 1.56$  mho/m;  $\epsilon_r = 50.9$ ;  $\rho = 1000$  kg/m<sup>3</sup>

Phantom section: Flat Section

DASY4 Configuration:

- Probe: ET3DV6 - SN1528; ConvF(4.37, 4.37, 4.37); Calibrated: 18/07/2011

- Sensor-Surface: 4mm (Mechanical Surface Detection)

- Electronics: DAE3 Sn432; Calibrated: 02/05/2012

- Phantom: SAM 12b (Site 57); Type: SAM 4.0; Serial: TP:1031

- Measurement SW: DASY4, V4.5 Build 19; Postprocessing SW: SEMCAD, V1.8 Build 145

**Left Hand Side of EUT Facing Phantom with Antenna Extended - Middle 2/Area Scan (61x141x1):**

Measurement grid: dx=15mm, dy=15mm

Maximum value of SAR (interpolated) = 0.089 mW/g

**Left Hand Side of EUT Facing Phantom with Antenna Extended - Middle 2/Zoom Scan (5x5x7) 2 2**

(5x5x7)/Cube 0: Measurement grid: dx=8mm, dy=8mm, dz=5mm

Reference Value = 5.12 V/m; Power Drift = -0.048 dB

Peak SAR (extrapolated) = 0.125 W/kg

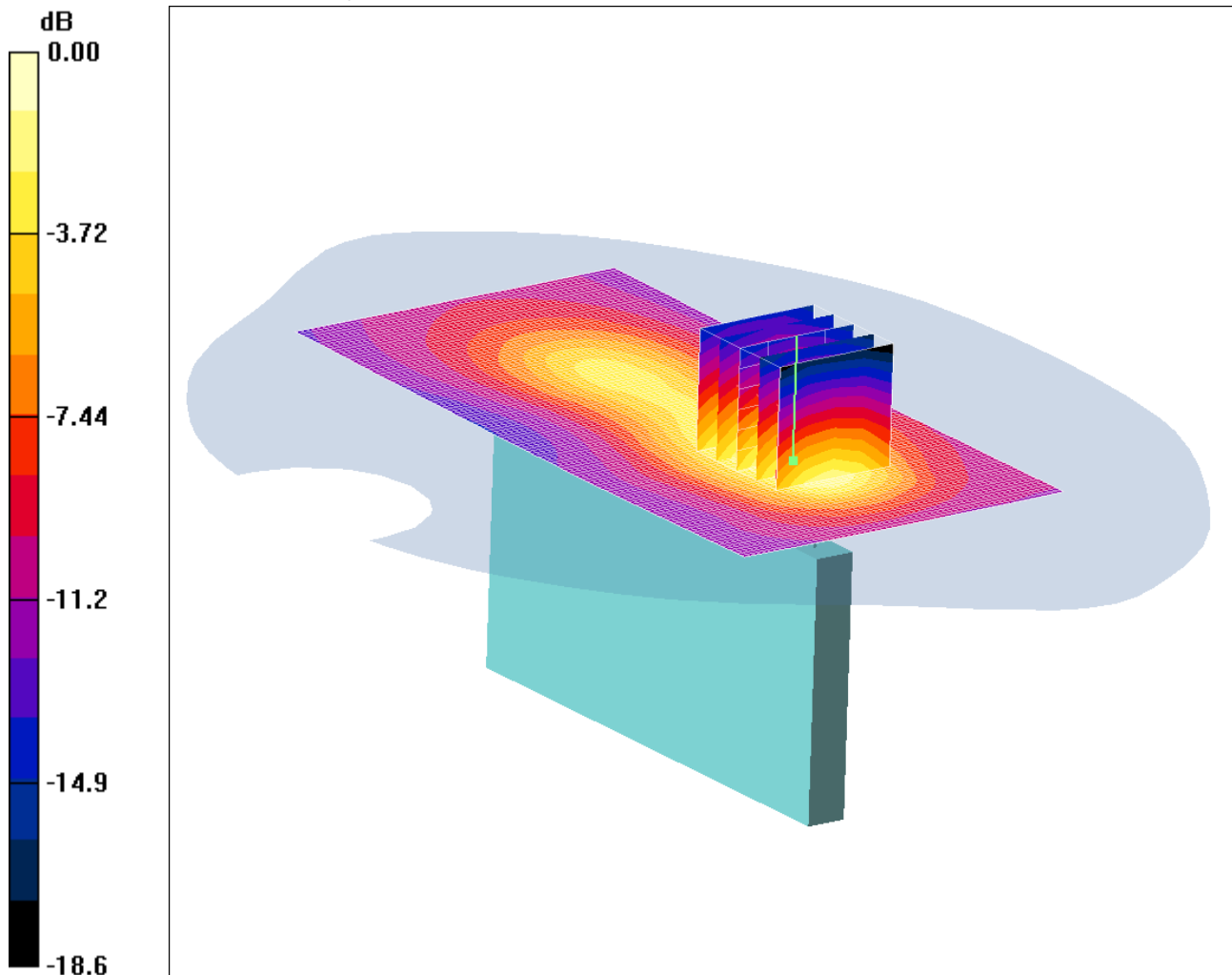
**SAR(1 g) = 0.079 mW/g; SAR(10 g) = 0.047 mW/g**

Maximum value of SAR (measured) = 0.083 mW/g

SCN/87471JD03A/038: Right Hand Side of EUT Facing Phantom with Antenna Retracted GPRS CH660

Date: 15/05/2012

DUT: Panasonic D21BR7; Type: D21BR7; Serial: 351808050018762



0 dB = 0.195mW/g

Communication System: GPRS 1900 4Tx; Frequency: 1879.8 MHz; Duty Cycle: 1:2

Medium: 1900 MHz MSL Medium parameters used (interpolated):  $f = 1879.8$  MHz;  $\sigma = 1.56$  mho/m;  $\epsilon_r = 50.9$ ;  $\rho = 1000$  kg/m<sup>3</sup>

Phantom section: Flat Section

DASY4 Configuration:

- Probe: ET3DV6 - SN1528; ConvF(4.37, 4.37, 4.37); Calibrated: 18/07/2011

- Sensor-Surface: 4mm (Mechanical Surface Detection)

- Electronics: DAE3 Sn432; Calibrated: 02/05/2012

- Phantom: SAM 12b (Site 57); Type: SAM 4.0; Serial: TP:1031

- Measurement SW: DASY4, V4.5 Build 19; Postprocessing SW: SEMCAD, V1.8 Build 145

**Right Hand Side of EUT Facing Phantom with Antenna Retracted - Middle/Area Scan (61x121x1):**

Measurement grid: dx=15mm, dy=15mm

Maximum value of SAR (interpolated) = 0.207 mW/g

**Right Hand Side of EUT Facing Phantom with Antenna Retracted - Middle/Zoom Scan (5x5x7) 2 2**

**(5x5x7)/Cube 0:** Measurement grid: dx=8mm, dy=8mm, dz=5mm

Reference Value = 7.94 V/m; Power Drift = 0.049 dB

Peak SAR (extrapolated) = 0.290 W/kg

**SAR(1 g) = 0.175 mW/g; SAR(10 g) = 0.101 mW/g**

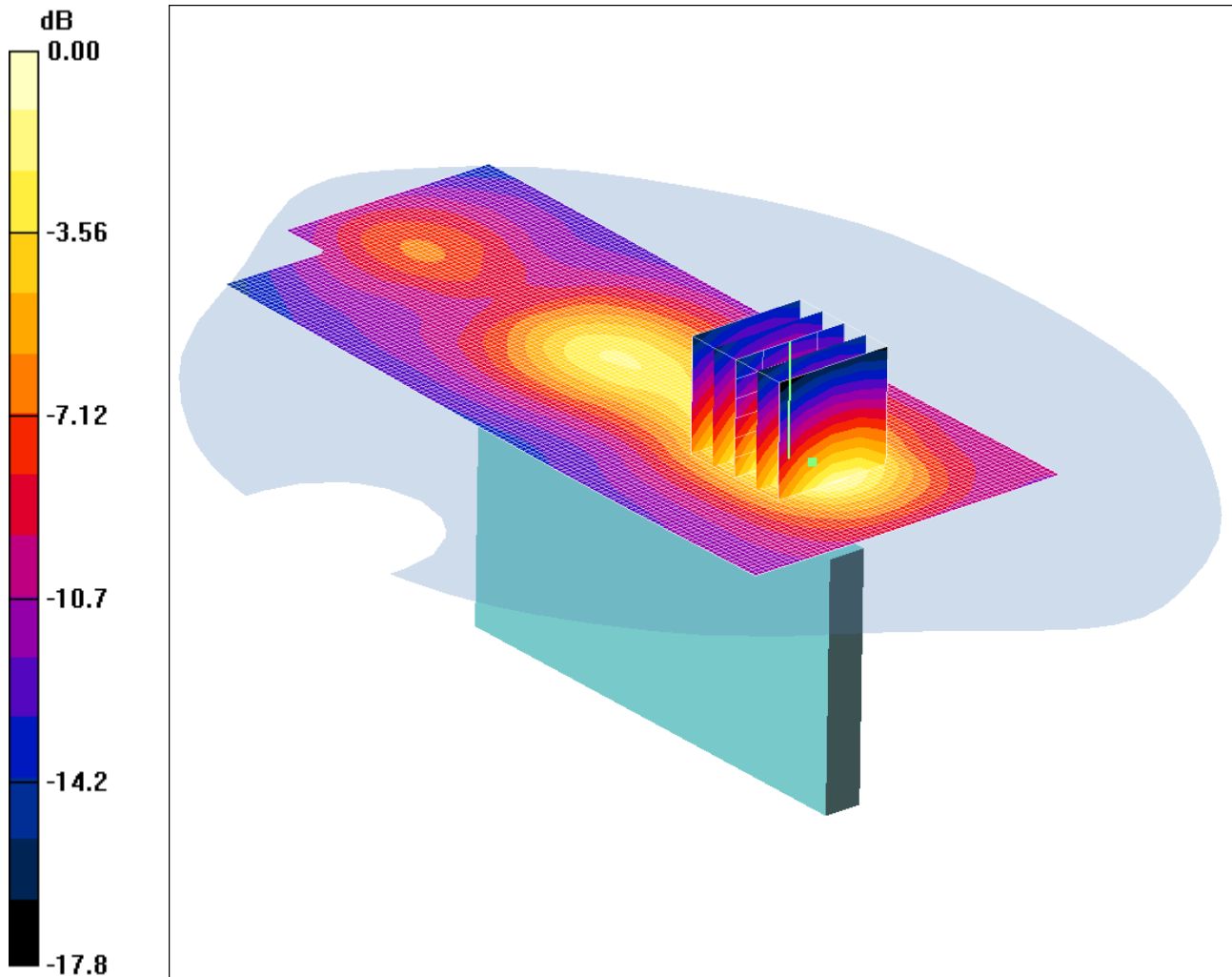
Maximum value of SAR (measured) = 0.195 mW/g



SCN/87471JD03A/039: Right Hand Side of EUT Facing Phantom with Antenna Extended GPRS CH660

Date: 15/05/2012

DUT: Panasonic D21BR7; Type: D21BR7; Serial: 351808050018762



0 dB = 0.197mW/g

Communication System: GPRS 1900 4Tx; Frequency: 1879.8 MHz; Duty Cycle: 1:2

Medium: 1900 MHz MSL Medium parameters used (interpolated):  $f = 1879.8$  MHz;  $\sigma = 1.56$  mho/m;  $\epsilon_r = 50.9$ ;  $\rho = 1000$  kg/m<sup>3</sup>

Phantom section: Flat Section

DASY4 Configuration:

- Probe: ET3DV6 - SN1528; ConvF(4.37, 4.37, 4.37); Calibrated: 18/07/2011

- Sensor-Surface: 4mm (Mechanical Surface Detection)

- Electronics: DAE3 Sn432; Calibrated: 02/05/2012

- Phantom: SAM 12b (Site 57); Type: SAM 4.0; Serial: TP:1031

- Measurement SW: DASY4, V4.5 Build 19; Postprocessing SW: SEMCAD, V1.8 Build 145

**Right Hand Side of EUT Facing Phantom with Antenna Extended - Middle 2/Area Scan (61x141x1):**

Measurement grid: dx=15mm, dy=15mm

Maximum value of SAR (interpolated) = 0.214 mW/g

**Right Hand Side of EUT Facing Phantom with Antenna Extended - Middle 2/Zoom Scan (5x5x7) 2 2**

**(5x5x7)/Cube 0:** Measurement grid: dx=8mm, dy=8mm, dz=5mm

Reference Value = 7.89 V/m; Power Drift = 0.01 dB

Peak SAR (extrapolated) = 0.314 W/kg

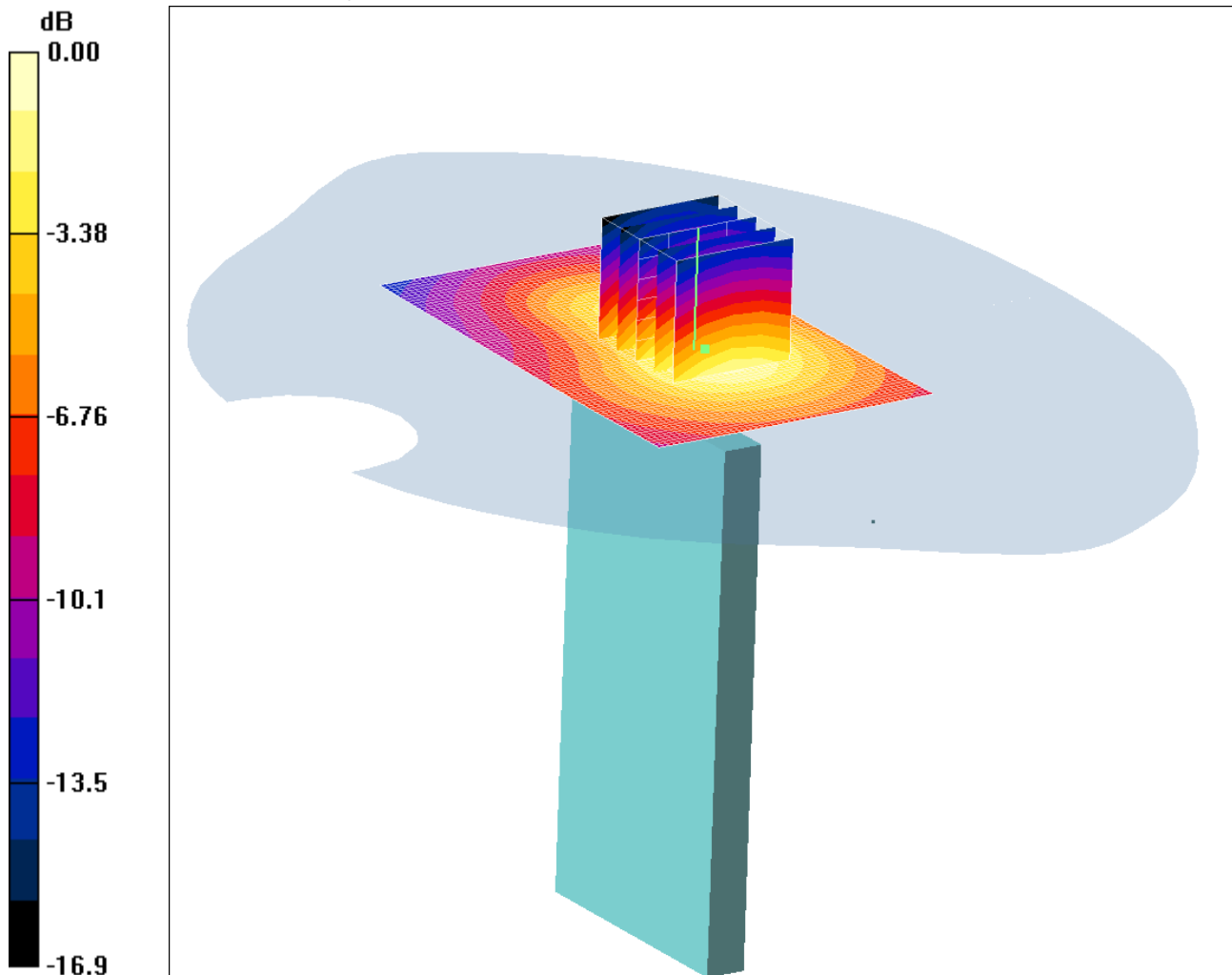
**SAR(1 g) = 0.188 mW/g; SAR(10 g) = 0.107 mW/g**

Maximum value of SAR (measured) = 0.197 mW/g

SCN/87471JD03A/040: Bottom of EUT Facing Phantom with Antenna Retracted GPRS CH660

Date: 15/05/2012

DUT: Panasonic D21BR7; Type: D21BR7; Serial: 351808050018762



0 dB = 0.217mW/g

Communication System: GPRS 1900 4Tx; Frequency: 1879.8 MHz; Duty Cycle: 1:2

Medium: 1900 MHz MSL Medium parameters used (interpolated):  $f = 1879.8$  MHz;  $\sigma = 1.56$  mho/m;  $\epsilon_r = 50.9$ ;  $\rho = 1000$  kg/m<sup>3</sup>

Phantom section: Flat Section

DASY4 Configuration:

- Probe: ET3DV6 - SN1528; ConvF(4.37, 4.37, 4.37); Calibrated: 18/07/2011

- Sensor-Surface: 4mm (Mechanical Surface Detection)

- Electronics: DAE3 Sn432; Calibrated: 02/05/2012

- Phantom: SAM 12b (Site 57); Type: SAM 4.0; Serial: TP:1031

- Measurement SW: DASY4, V4.5 Build 19; Postprocessing SW: SEMCAD, V1.8 Build 145

**Bottom of EUT Facing Phantom with Antenna Retracted - Middle/Area Scan 2 (51x81x1):** Measurement

grid: dx=15mm, dy=15mm

Maximum value of SAR (interpolated) = 0.222 mW/g

**Bottom of EUT Facing Phantom with Antenna Retracted - Middle/Zoom Scan (5x5x7) 2 2 (5x5x7)/Cube 0:**

Measurement grid: dx=8mm, dy=8mm, dz=5mm

Reference Value = 12.1 V/m; Power Drift = -0.019 dB

Peak SAR (extrapolated) = 0.318 W/kg

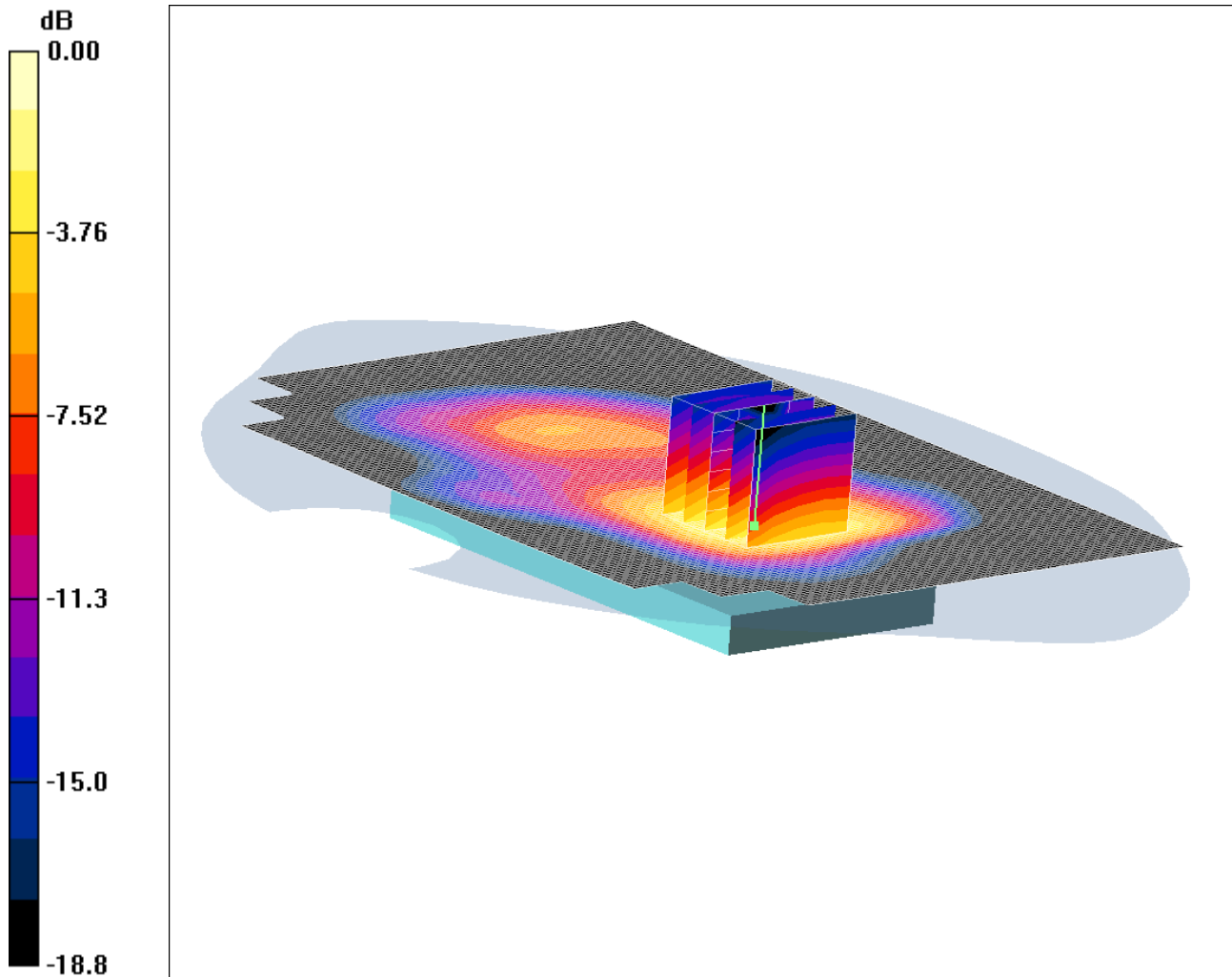
**SAR(1 g) = 0.200 mW/g; SAR(10 g) = 0.118 mW/g**

Maximum value of SAR (measured) = 0.217 mW/g

SCN/87471JD03A/041: Back of EUT Facing Phantom with Antenna Retracted with PHF GPRS CH660

Date: 15/05/2012

DUT: Panasonic D21BR7; Type: D21BR7; Serial: 351808050018762



0 dB = 1.00mW/g

Communication System: GPRS 1900 4Tx; Frequency: 1879.8 MHz; Duty Cycle: 1:2

Medium: 1900 MHz MSL Medium parameters used (interpolated):  $f = 1879.8$  MHz;  $\sigma = 1.56$  mho/m;  $\epsilon_r = 50.9$ ;  $\rho = 1000$  kg/m<sup>3</sup>

Phantom section: Flat Section

DASY4 Configuration:

- Probe: ET3DV6 - SN1528; ConvF(4.37, 4.37, 4.37); Calibrated: 18/07/2011

- Sensor-Surface: 4mm (Mechanical Surface Detection)

- Electronics: DAE3 Sn432; Calibrated: 02/05/2012

- Phantom: SAM 12b (Site 57); Type: SAM 4.0; Serial: TP:1031

- Measurement SW: DASY4, V4.5 Build 19; Postprocessing SW: SEMCAD, V1.8 Build 145

**Back of EUT Facing Phantom with Antenna Retracted with PHF- Middle/Area Scan (101x141x1):**

Measurement grid: dx=15mm, dy=15mm

Maximum value of SAR (interpolated) = 0.635 mW/g

**Back of EUT Facing Phantom with Antenna Retracted with PHF- Middle/Zoom Scan (5x5x7) 2**

**(5x5x7)/Cube 0:** Measurement grid: dx=8mm, dy=8mm, dz=5mm

Reference Value = 9.11 V/m; Power Drift = 0.00 dB

Peak SAR (extrapolated) = 0.851 W/kg

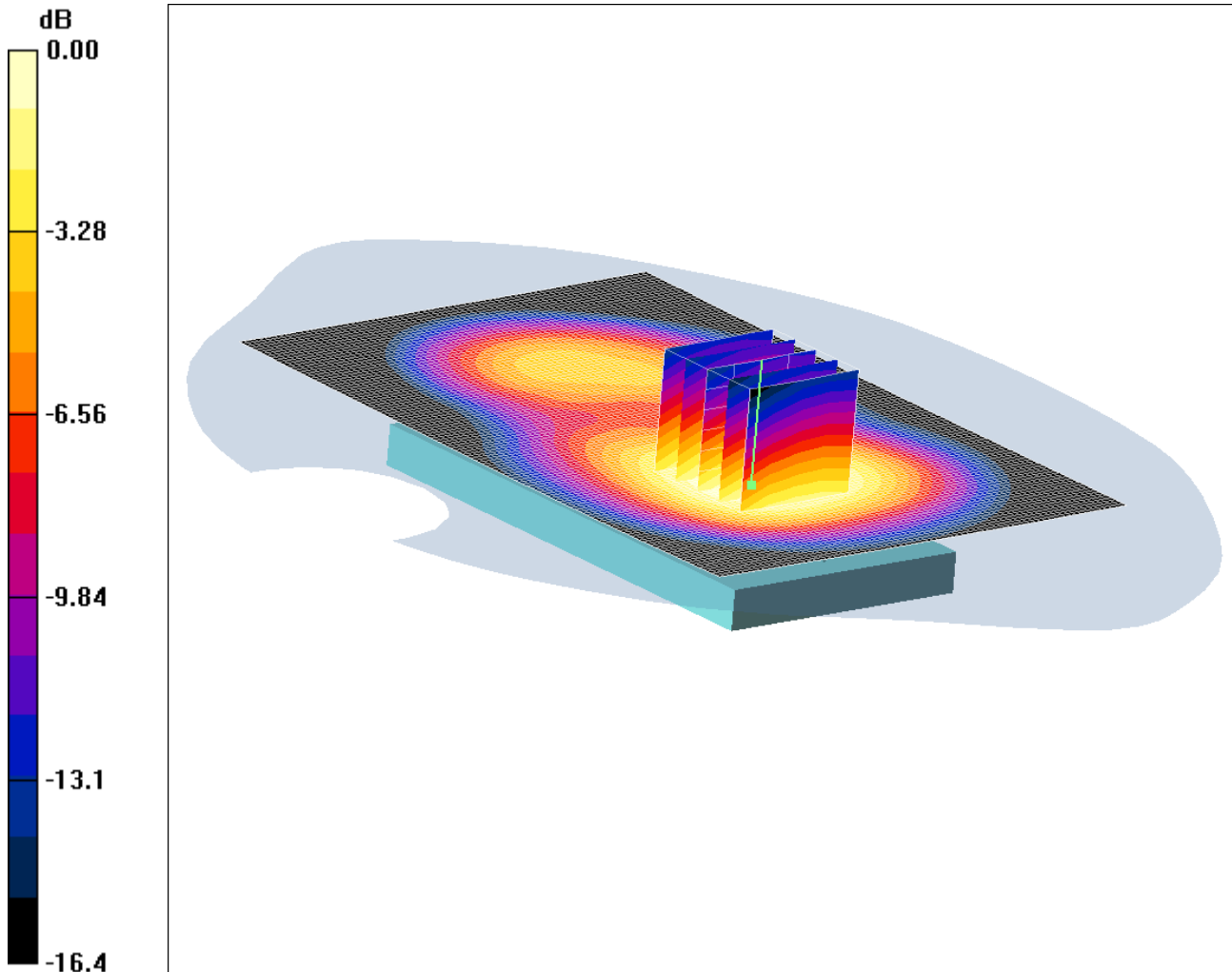
**SAR(1 g) = 0.565 mW/g; SAR(10 g) = 0.365 mW/g**

Maximum value of SAR (measured) = 0.603 mW/g

SCN/87471JD03A/042: Back of EUT Facing Phantom with Antenna Retracted EDGE CH660

Date: 15/05/2012

DUT: Panasonic D21BR7; Type: D21BR7; Serial: 351808050018762



0 dB = 0.614mW/g

Communication System: EDGE 1900 4Tx; Frequency: 1879.8 MHz; Duty Cycle: 1:2

Medium: 1900 MHz MSL Medium parameters used (interpolated):  $f = 1879.8$  MHz;  $\sigma = 1.56$  mho/m;  $\epsilon_r = 50.9$ ;  $\rho = 1000$  kg/m<sup>3</sup>

Phantom section: Flat Section

DASY4 Configuration:

- Probe: ET3DV6 - SN1528; ConvF(4.37, 4.37, 4.37); Calibrated: 18/07/2011

- Sensor-Surface: 4mm (Mechanical Surface Detection)

- Electronics: DAE3 Sn432; Calibrated: 02/05/2012

- Phantom: SAM 12b (Site 57); Type: SAM 4.0; Serial: TP:1031

- Measurement SW: DASY4, V4.5 Build 19; Postprocessing SW: SEMCAD, V1.8 Build 145

**Back of EUT Facing Phantom with Antenna Retracted - Middle/Area Scan (81x121x1):** Measurement grid:

dx=15mm, dy=15mm

Maximum value of SAR (interpolated) = 0.641 mW/g

**Back of EUT Facing Phantom with Antenna Retracted - Middle/Zoom Scan (5x5x7) 2 (5x5x7)/Cube 0:**

Measurement grid: dx=8mm, dy=8mm, dz=5mm

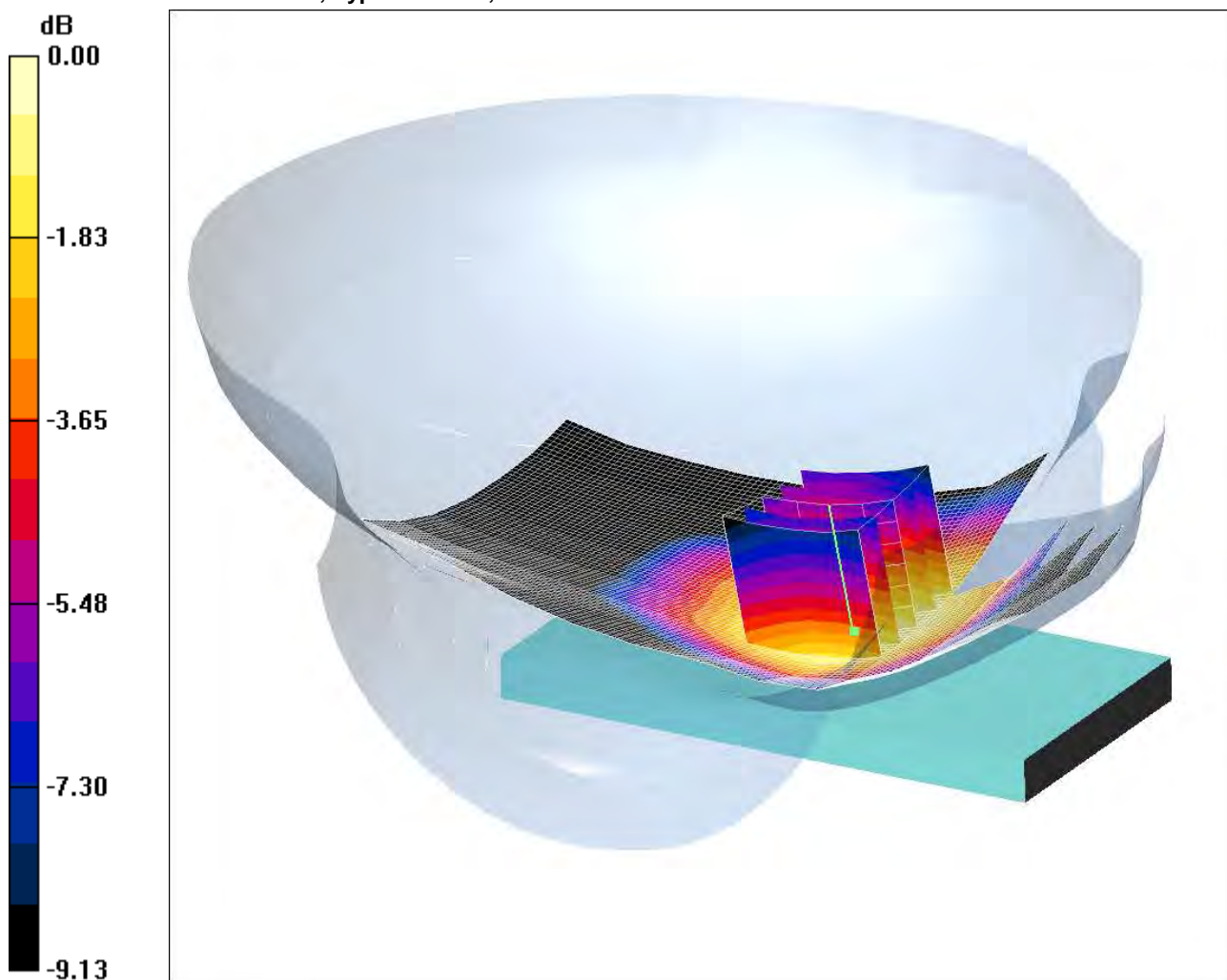
Reference Value = 10.0 V/m; Power Drift = -0.025 dB

Peak SAR (extrapolated) = 0.873 W/kg

**SAR(1 g) = 0.569 mW/g; SAR(10 g) = 0.360 mW/g**

Maximum value of SAR (measured) = 0.614 mW/g

SCN/87471JD03A/043: Touch Left Antenna Retracted UMTS FDD V CH4183  
Date: 16/05/2012  
DUT: Panasonic D21BR7; Type: D21BR7; Serial: 351808050018762



0 dB = 0.408mW/g

Communication System: UMTS-FDD V; Frequency: 836.6 MHz; Duty Cycle: 1:1  
Medium: 900 MHz HSL Medium parameters used (interpolated):  $f = 836.6$  MHz;  $\sigma = 0.896$  mho/m;  $\epsilon_r = 43.5$ ;  $\rho = 1000$  kg/m<sup>3</sup>

Phantom section: Left Section

DASY4 Configuration:

- Probe: ET3DV6 - SN1528; ConvF(5.85, 5.85, 5.85); Calibrated: 18/07/2011
- Sensor-Surface: 4mm (Mechanical Surface Detection)
- Electronics: DAE3 Sn432; Calibrated: 02/05/2012
- Phantom: SAM 12a (Site 57); Type: SAM 4.0; Serial: TP:1020
- Measurement SW: DASY4, V4.5 Build 19; Postprocessing SW: SEMCAD, V1.8 Build 145

**Touch Left Antenna Retracted - Middle/Area Scan (71x121x1):** Measurement grid: dx=15mm, dy=15mm

Maximum value of SAR (interpolated) = 0.408 mW/g

**Touch Left Antenna Retracted - Middle/Zoom Scan (5x5x7) 2 (5x5x7)/Cube 0:** Measurement grid: dx=8mm, dy=8mm, dz=5mm

Reference Value = 7.52 V/m; Power Drift = -0.010 dB

Peak SAR (extrapolated) = 0.474 W/kg

**SAR(1 g) = 0.390 mW/g; SAR(10 g) = 0.297 mW/g**

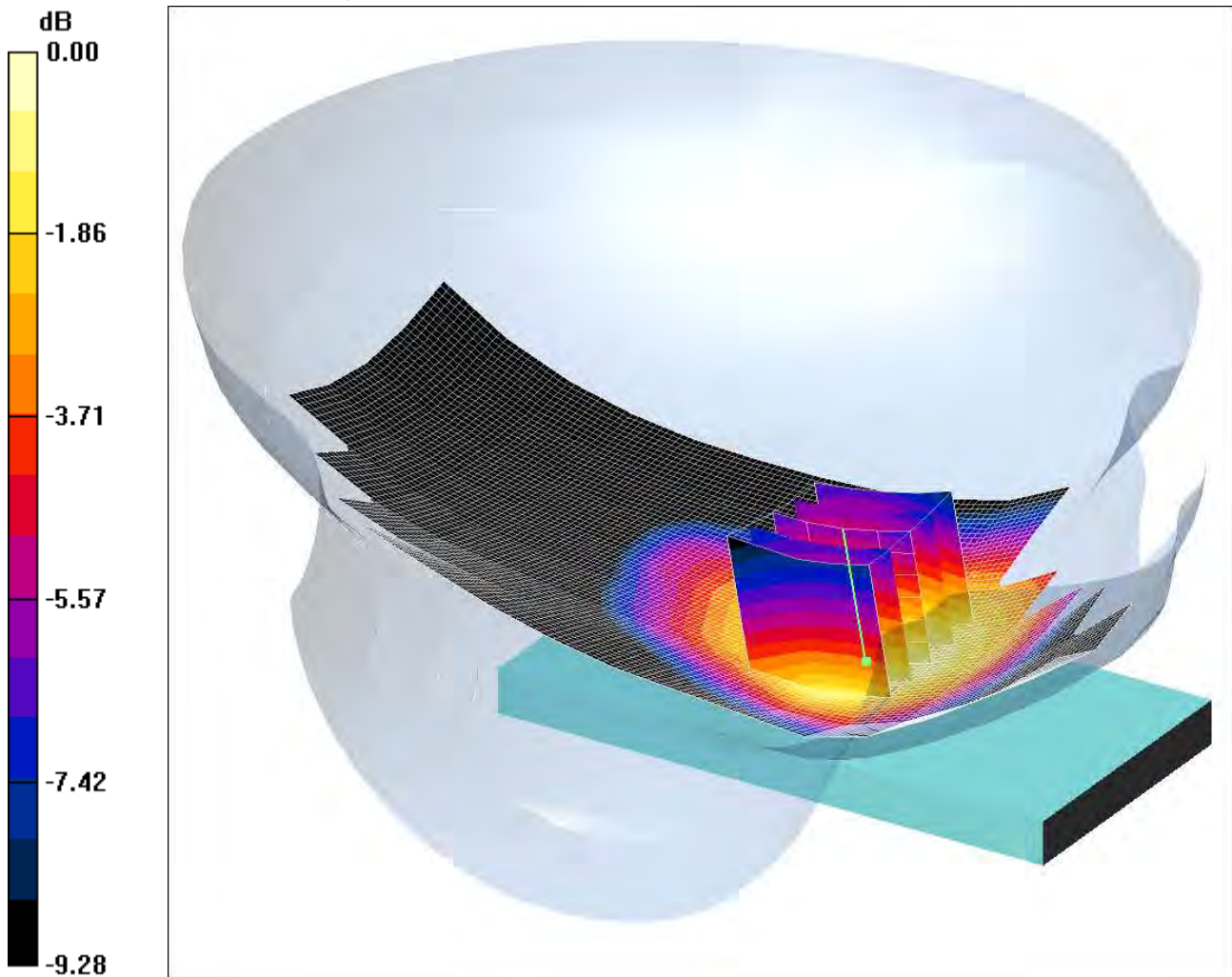
Maximum value of SAR (measured) = 0.408 mW/g



SCN/87471JD03A/044: Touch Left Antenna Extended UMTS FDD V CH4183

Date: 16/05/2012

DUT: Panasonic D21BR7; Type: D21BR7; Serial: 351808050018762



0 dB = 0.379mW/g

Communication System: UMTS-FDD V; Frequency: 836.6 MHz; Duty Cycle: 1:1

Medium: 900 MHz HSL Medium parameters used (interpolated):  $f = 836.6$  MHz;  $\sigma = 0.896$  mho/m;  $\epsilon_r = 43.5$ ;  $\rho = 1000$  kg/m<sup>3</sup>

Phantom section: Left Section

DASY4 Configuration:

- Probe: ET3DV6 - SN1528; ConvF(5.85, 5.85, 5.85); Calibrated: 18/07/2011

- Sensor-Surface: 4mm (Mechanical Surface Detection)

- Electronics: DAE3 Sn432; Calibrated: 02/05/2012

- Phantom: SAM 12a (Site 57); Type: SAM 4.0; Serial: TP:1020

- Measurement SW: DASY4, V4.5 Build 19; Postprocessing SW: SEMCAD, V1.8 Build 145

**Touch Left Antenna Extended - Middle 2/Area Scan (71x141x1):** Measurement grid: dx=15mm, dy=15mm

Maximum value of SAR (interpolated) = 0.386 mW/g

**Touch Left Antenna Extended - Middle 2/Zoom Scan (5x5x7) 2 (5x5x7)/Cube 0:** Measurement grid: dx=8mm, dy=8mm, dz=5mm

Reference Value = 7.67 V/m; Power Drift = 0.039 dB

Peak SAR (extrapolated) = 0.449 W/kg

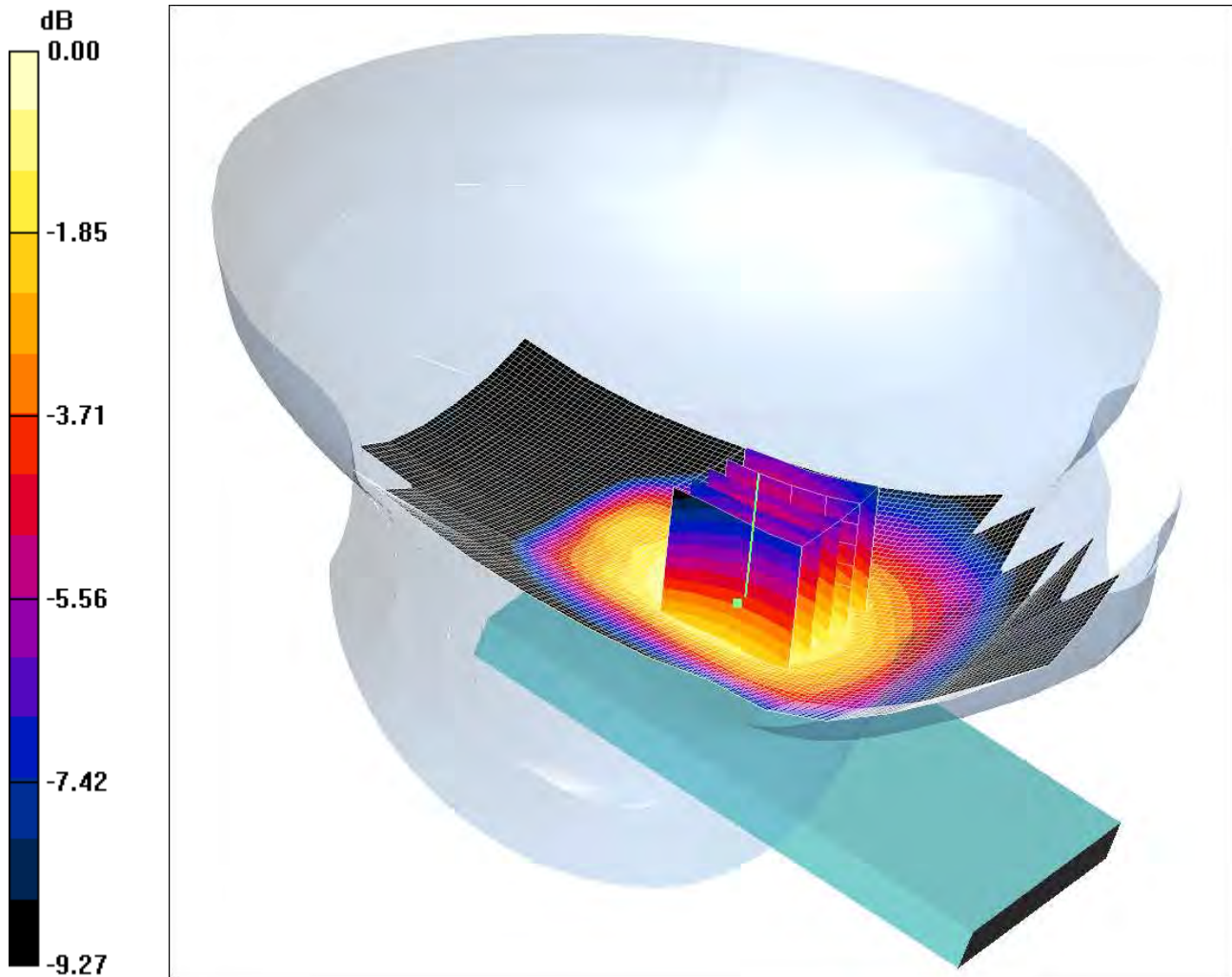
**SAR(1 g) = 0.363 mW/g; SAR(10 g) = 0.274 mW/g**

Maximum value of SAR (measured) = 0.379 mW/g

SCN/87471JD03A/045: Tilt Left Antenna Retracted UMTS FDD V CH4183

Date: 16/05/2012

DUT: Panasonic D21BR7; Type: D21BR7; Serial: 351808050018762



0 dB = 0.278mW/g

Communication System: UMTS-FDD V; Frequency: 836.6 MHz; Duty Cycle: 1:1

Medium: 900 MHz HSL Medium parameters used (interpolated):  $f = 836.6$  MHz;  $\sigma = 0.896$  mho/m;  $\epsilon_r = 43.5$ ;  $\rho = 1000$  kg/m<sup>3</sup>

Phantom section: Left Section

DASY4 Configuration:

- Probe: ET3DV6 - SN1528; ConvF(5.85, 5.85, 5.85); Calibrated: 18/07/2011

- Sensor-Surface: 4mm (Mechanical Surface Detection)

- Electronics: DAE3 Sn432; Calibrated: 02/05/2012

- Phantom: SAM 12a (Site 57); Type: SAM 4.0; Serial: TP:1020

- Measurement SW: DASY4, V4.5 Build 19; Postprocessing SW: SEMCAD, V1.8 Build 145

**Tilt Left Antenna Retracted - Middle/Area Scan (71x121x1):** Measurement grid: dx=15mm, dy=15mm

Maximum value of SAR (interpolated) = 0.275 mW/g

**Tilt Left Antenna Retracted - Middle/Zoom Scan (5x5x7) 2 (5x5x7)/Cube 0:** Measurement grid: dx=8mm, dy=8mm, dz=5mm

Reference Value = 13.1 V/m; Power Drift = 0.077 dB

Peak SAR (extrapolated) = 0.322 W/kg

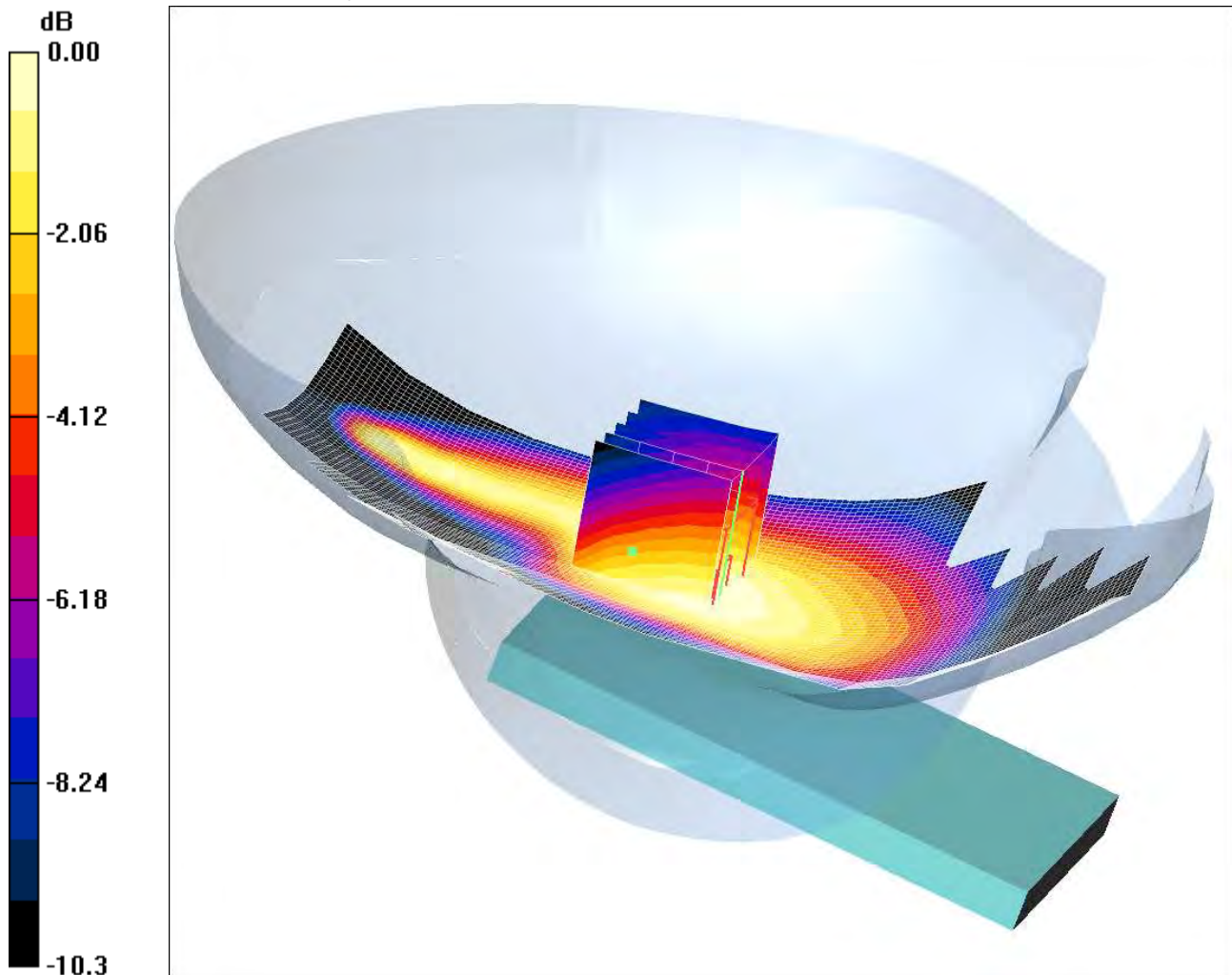
**SAR(1 g) = 0.265 mW/g; SAR(10 g) = 0.201 mW/g**

Maximum value of SAR (measured) = 0.278 mW/g

SCN/87471JD03A/046: Tilt Left Antenna Extended UMTS FDD V CH4183

Date: 16/05/2012

DUT: Panasonic D21BR7; Type: D21BR7; Serial: 351808050018762



0 dB = 0.203mW/g

Communication System: UMTS-FDD V; Frequency: 836.6 MHz; Duty Cycle: 1:1

Medium: 900 MHz HSL Medium parameters used (interpolated):  $f = 836.6$  MHz;  $\sigma = 0.896$  mho/m;  $\epsilon_r = 43.5$ ;  $\rho = 1000$  kg/m<sup>3</sup>

Phantom section: Left Section

DASY4 Configuration:

- Probe: ET3DV6 - SN1528; ConvF(5.85, 5.85, 5.85); Calibrated: 18/07/2011

- Sensor-Surface: 4mm (Mechanical Surface Detection)

- Electronics: DAE3 Sn432; Calibrated: 02/05/2012

- Phantom: SAM 12a (Site 57); Type: SAM 4.0; Serial: TP:1020

- Measurement SW: DASY4, V4.5 Build 19; Postprocessing SW: SEMCAD, V1.8 Build 145

**Tilt Left Antenna Extended - Middle/Area Scan (71x141x1):** Measurement grid: dx=15mm, dy=15mm

Maximum value of SAR (interpolated) = 0.218 mW/g

**Tilt Left Antenna Extended - Middle/Zoom Scan (5x5x7) 2 (5x5x7)/Cube 0:** Measurement grid: dx=8mm, dy=8mm, dz=5mm

Reference Value = 12.4 V/m; Power Drift = -0.023 dB

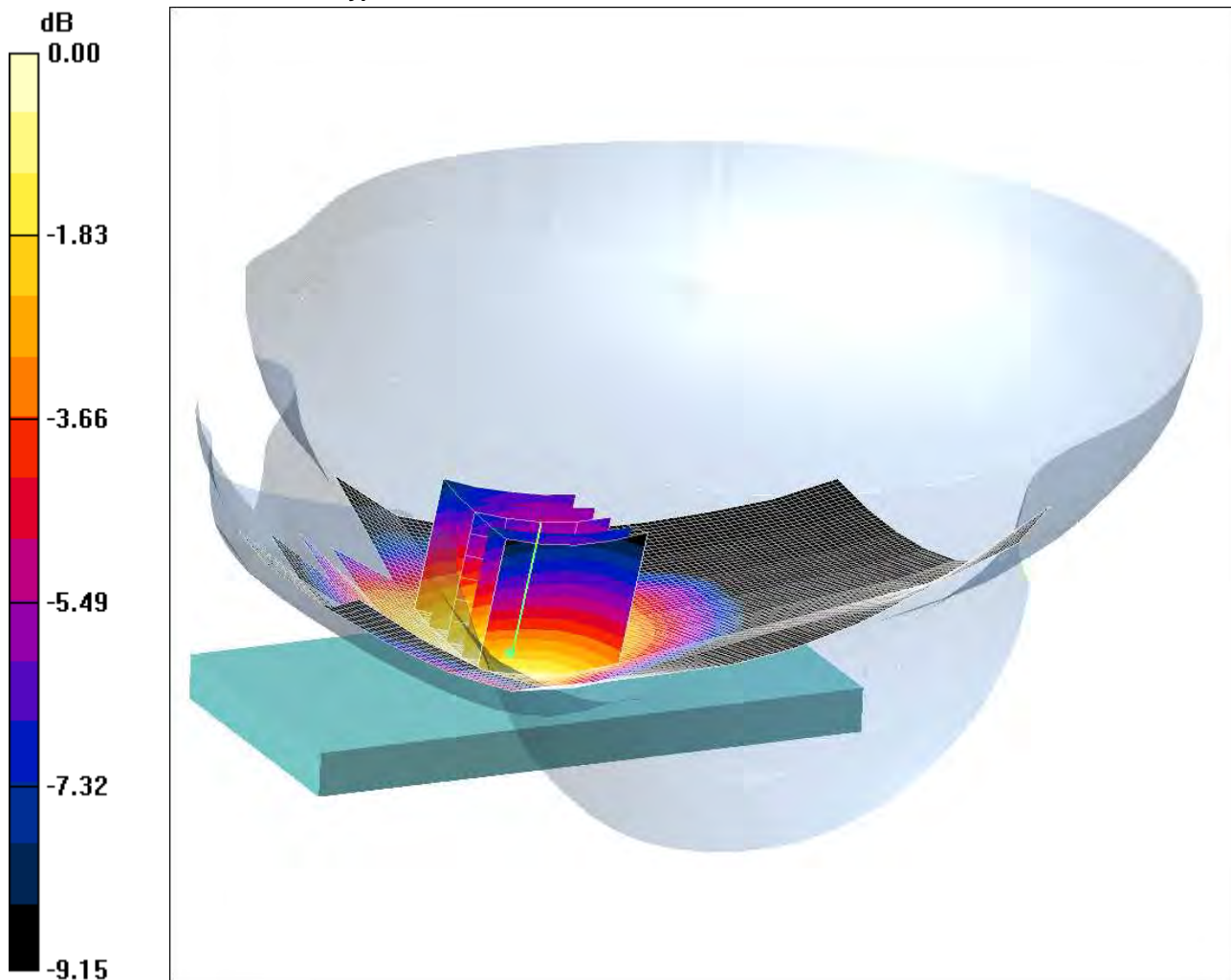
Peak SAR (extrapolated) = 0.263 W/kg

**SAR(1 g) = 0.195 mW/g; SAR(10 g) = 0.146 mW/g**

Maximum value of SAR (measured) = 0.203 mW/g



SCN/87471JD03A/047: Touch Right Antenna Retracted UMTS FDD V CH4183  
Date: 16/05/2012  
DUT: Panasonic D21BR7; Type: D21BR7; Serial: 351808050018762



0 dB = 0.455mW/g

Communication System: UMTS-FDD V; Frequency: 836.6 MHz; Duty Cycle: 1:1  
Medium: 900 MHz HSL Medium parameters used (interpolated):  $f = 836.6$  MHz;  $\sigma = 0.896$  mho/m;  $\epsilon_r = 43.5$ ;  $\rho = 1000$  kg/m<sup>3</sup>

Phantom section: Right Section

DASY4 Configuration:

- Probe: ET3DV6 - SN1528; ConvF(5.85, 5.85, 5.85); Calibrated: 18/07/2011
- Sensor-Surface: 4mm (Mechanical Surface Detection)
- Electronics: DAE3 Sn432; Calibrated: 02/05/2012
- Phantom: SAM 12a (Site 57); Type: SAM 4.0; Serial: TP:1020
- Measurement SW: DASY4, V4.5 Build 19; Postprocessing SW: SEMCAD, V1.8 Build 145

**Touch Right Antenna Retracted - Middle/Area Scan (71x121x1):** Measurement grid: dx=15mm, dy=15mm

Maximum value of SAR (interpolated) = 0.445 mW/g

**Touch Right Antenna Retracted - Middle/Zoom Scan (5x5x7) 2 (5x5x7)/Cube 0:** Measurement grid: dx=8mm, dy=8mm, dz=5mm

Reference Value = 6.96 V/m; Power Drift = -0.027 dB

Peak SAR (extrapolated) = 0.524 W/kg

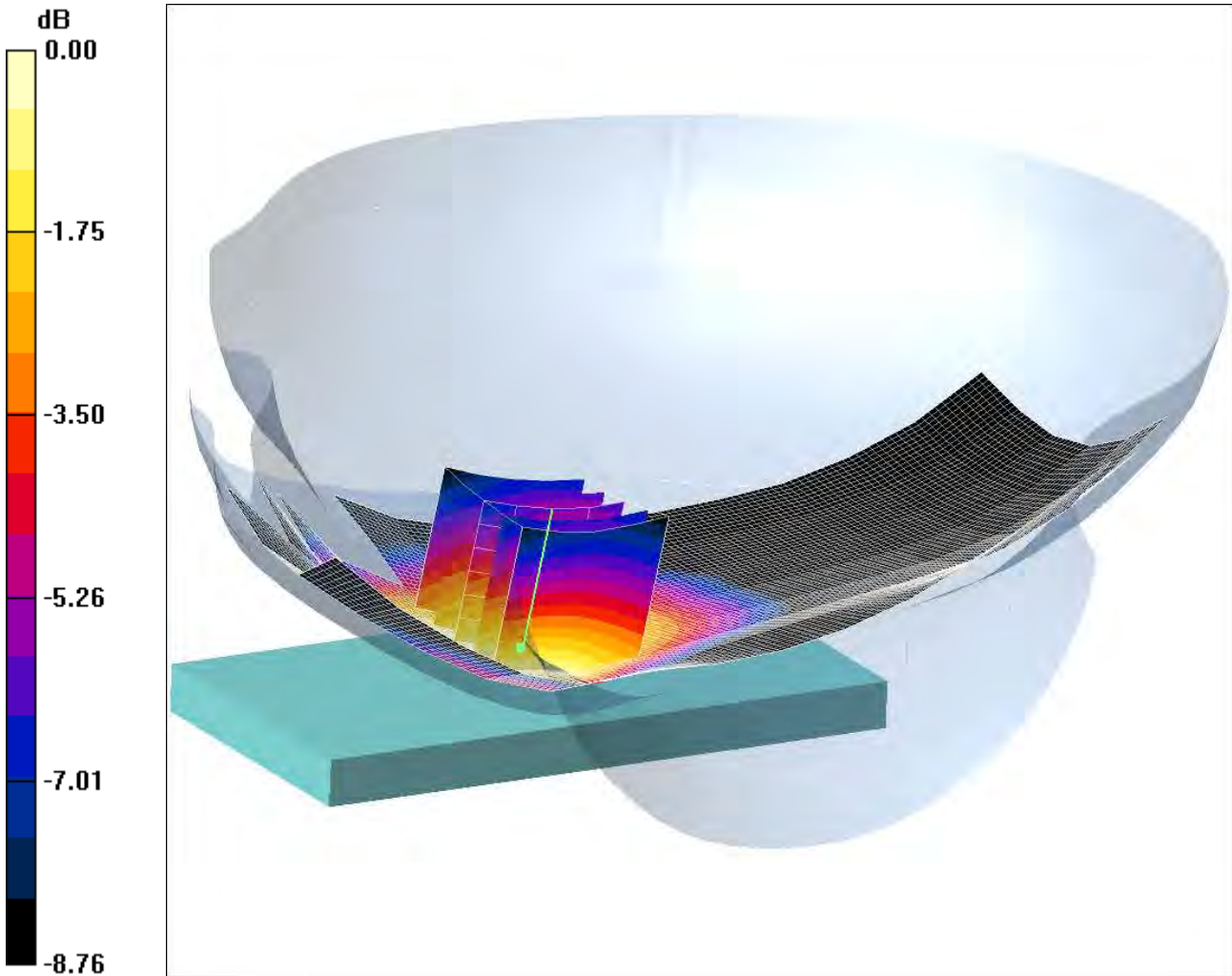
**SAR(1 g) = 0.430 mW/g; SAR(10 g) = 0.327 mW/g**

Maximum value of SAR (measured) = 0.455 mW/g

SCN/87471JD03A/048: Touch Right Antenna Extended UMTS FDD V CH4183

Date: 16/05/2012

DUT: Panasonic D21BR7; Type: D21BR7; Serial: 351808050018762



0 dB = 0.418mW/g

Communication System: UMTS-FDD V; Frequency: 836.6 MHz; Duty Cycle: 1:1

Medium: 900 MHz HSL Medium parameters used (interpolated):  $f = 836.6$  MHz;  $\sigma = 0.896$  mho/m;  $\epsilon_r = 43.5$ ;  $\rho = 1000$  kg/m<sup>3</sup>

Phantom section: Right Section

DASY4 Configuration:

- Probe: ET3DV6 - SN1528; ConvF(5.85, 5.85, 5.85); Calibrated: 18/07/2011

- Sensor-Surface: 4mm (Mechanical Surface Detection)

- Electronics: DAE3 Sn432; Calibrated: 02/05/2012

- Phantom: SAM 12a (Site 57); Type: SAM 4.0; Serial: TP:1020

- Measurement SW: DASY4, V4.5 Build 19; Postprocessing SW: SEMCAD, V1.8 Build 145

**Touch Right Antenna Extended - Middle/Area Scan (71x141x1):** Measurement grid: dx=15mm, dy=15mm

Maximum value of SAR (interpolated) = 0.413 mW/g

**Touch Right Antenna Extended - Middle/Zoom Scan (5x5x7) 2 (5x5x7)/Cube 0:** Measurement grid: dx=8mm, dy=8mm, dz=5mm

Reference Value = 7.92 V/m; Power Drift = -0.021 dB

Peak SAR (extrapolated) = 0.497 W/kg

**SAR(1 g) = 0.400 mW/g; SAR(10 g) = 0.303 mW/g**

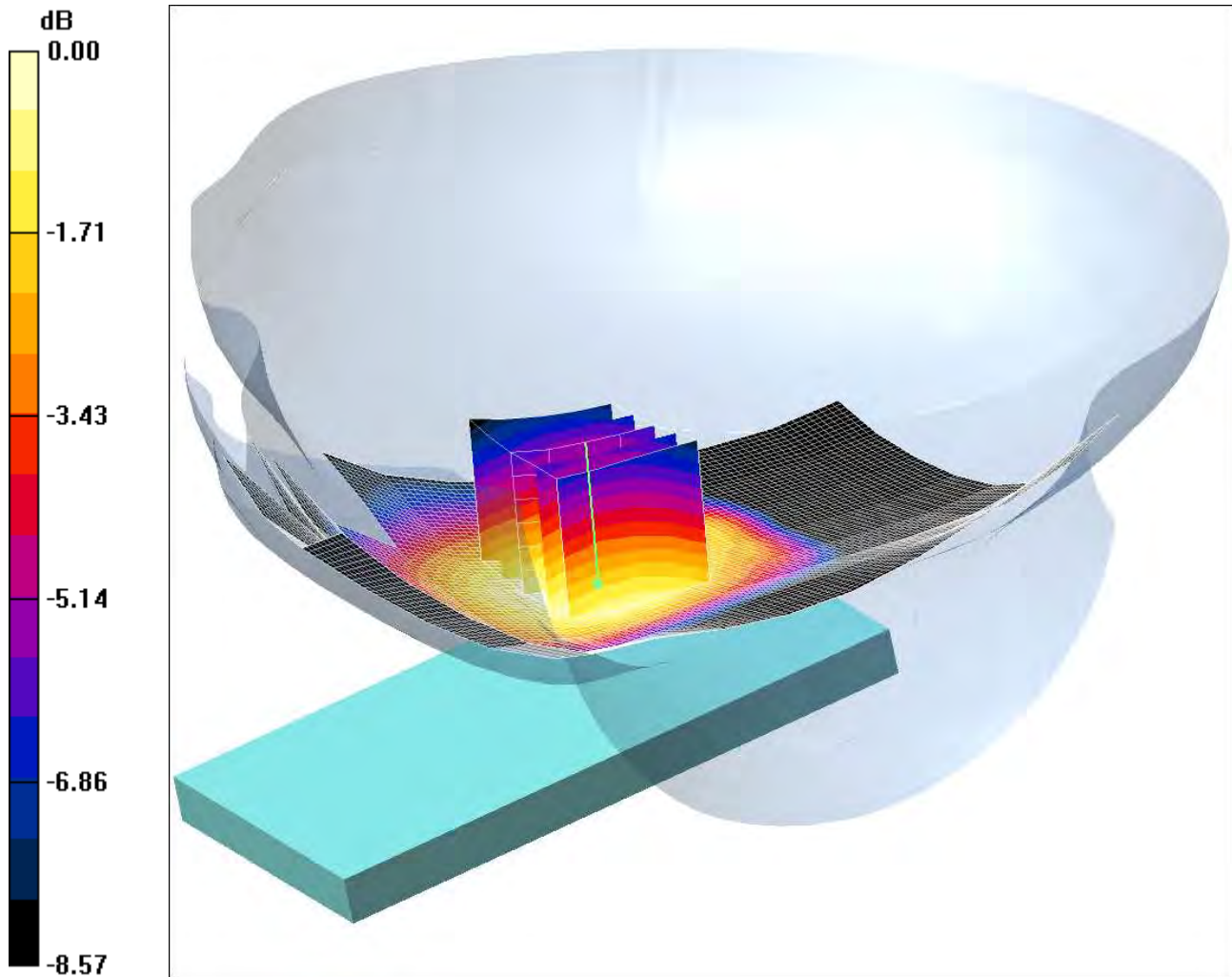
Maximum value of SAR (measured) = 0.418 mW/g



SCN/87471JD03A/049: Tilt Right Antenna Retracted UMTS FDD V CH4183

Date: 16/05/2012

DUT: Panasonic D21BR7; Type: D21BR7; Serial: 351808050018762



0 dB = 0.299mW/g

Communication System: UMTS-FDD V; Frequency: 836.6 MHz; Duty Cycle: 1:1

Medium: 900 MHz HSL Medium parameters used (interpolated):  $f = 836.6$  MHz;  $\sigma = 0.896$  mho/m;  $\epsilon_r = 43.5$ ;  $\rho = 1000$  kg/m<sup>3</sup>

Phantom section: Right Section

DASY4 Configuration:

- Probe: ET3DV6 - SN1528; ConvF(5.85, 5.85, 5.85); Calibrated: 18/07/2011

- Sensor-Surface: 4mm (Mechanical Surface Detection)

- Electronics: DAE3 Sn432; Calibrated: 02/05/2012

- Phantom: SAM 12a (Site 57); Type: SAM 4.0; Serial: TP:1020

- Measurement SW: DASY4, V4.5 Build 19; Postprocessing SW: SEMCAD, V1.8 Build 145

**Tilt Right Antenna Retracted - Middle/Area Scan (71x121x1):** Measurement grid: dx=15mm, dy=15mm

Maximum value of SAR (interpolated) = 0.304 mW/g

**Tilt Right Antenna Retracted - Middle/Zoom Scan (5x5x7) 2 (5x5x7)/Cube 0:** Measurement grid: dx=8mm, dy=8mm, dz=5mm

Reference Value = 12.6 V/m; Power Drift = -0.157 dB

Peak SAR (extrapolated) = 0.338 W/kg

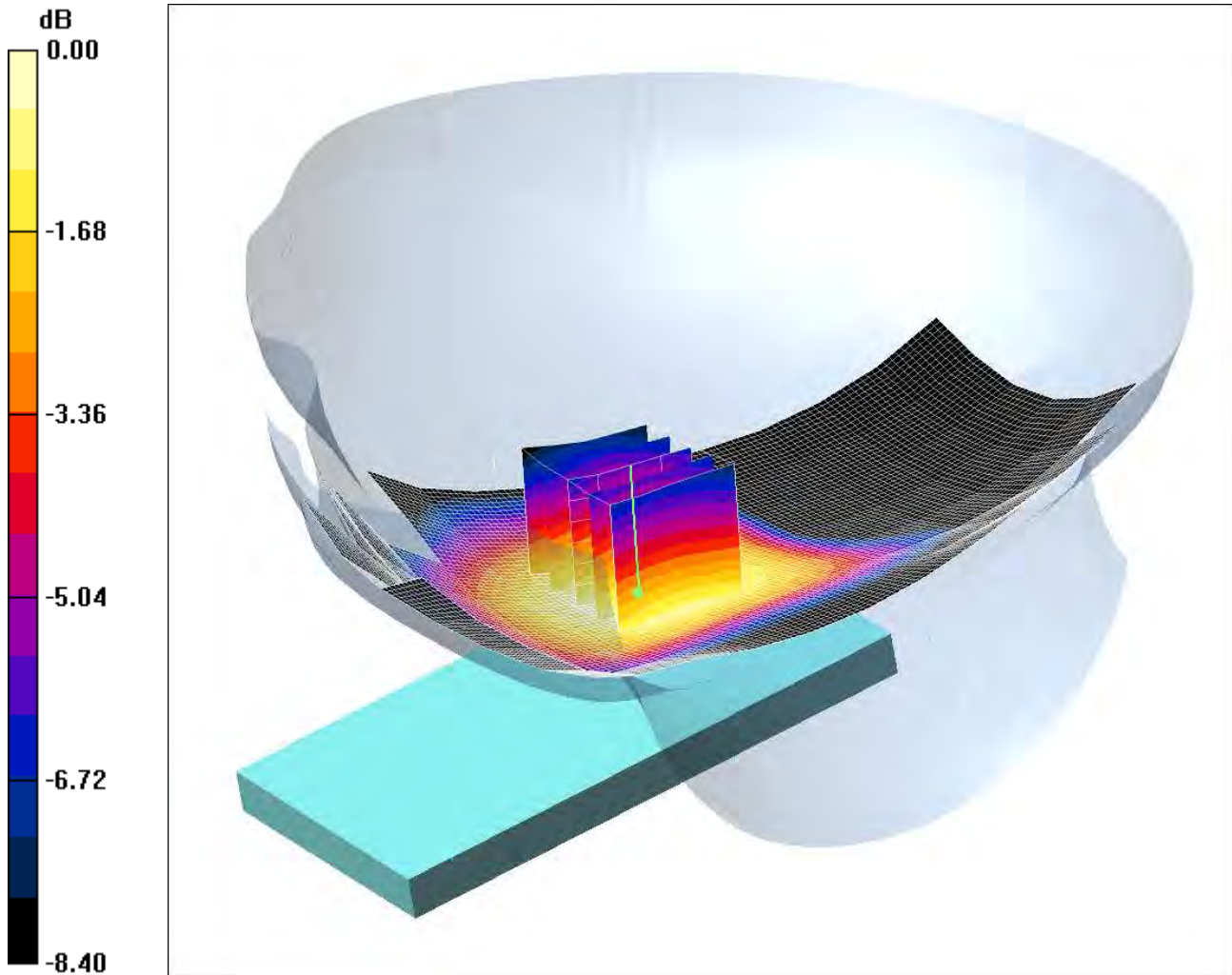
**SAR(1 g) = 0.288 mW/g; SAR(10 g) = 0.223 mW/g**

Maximum value of SAR (measured) = 0.299 mW/g

SCN/87471JD03A/050: Tilt Right Antenna Extended UMTS FDD V CH4183

Date: 16/05/2012

DUT: Panasonic D21BR7; Type: D21BR7; Serial: 351808050018762



0 dB = 0.261mW/g

Communication System: UMTS-FDD V; Frequency: 836.6 MHz; Duty Cycle: 1:1

Medium: 900 MHz HSL Medium parameters used (interpolated):  $f = 836.6$  MHz;  $\sigma = 0.896$  mho/m;  $\epsilon_r = 43.5$ ;  $\rho = 1000$  kg/m<sup>3</sup>

Phantom section: Right Section

DASY4 Configuration:

- Probe: ET3DV6 - SN1528; ConvF(5.85, 5.85, 5.85); Calibrated: 18/07/2011

- Sensor-Surface: 4mm (Mechanical Surface Detection)

- Electronics: DAE3 Sn432; Calibrated: 02/05/2012

- Phantom: SAM 12a (Site 57); Type: SAM 4.0; Serial: TP:1020

- Measurement SW: DASY4, V4.5 Build 19; Postprocessing SW: SEMCAD, V1.8 Build 145

**Tilt Right Antenna Extended - Middle/Area Scan (71x141x1):** Measurement grid: dx=15mm, dy=15mm

Maximum value of SAR (interpolated) = 0.261 mW/g

**Tilt Right Antenna Extended - Middle/Zoom Scan (5x5x7) 2 (5x5x7)/Cube 0:** Measurement grid: dx=8mm, dy=8mm, dz=5mm

Reference Value = 12.6 V/m; Power Drift = -0.043 dB

Peak SAR (extrapolated) = 0.295 W/kg

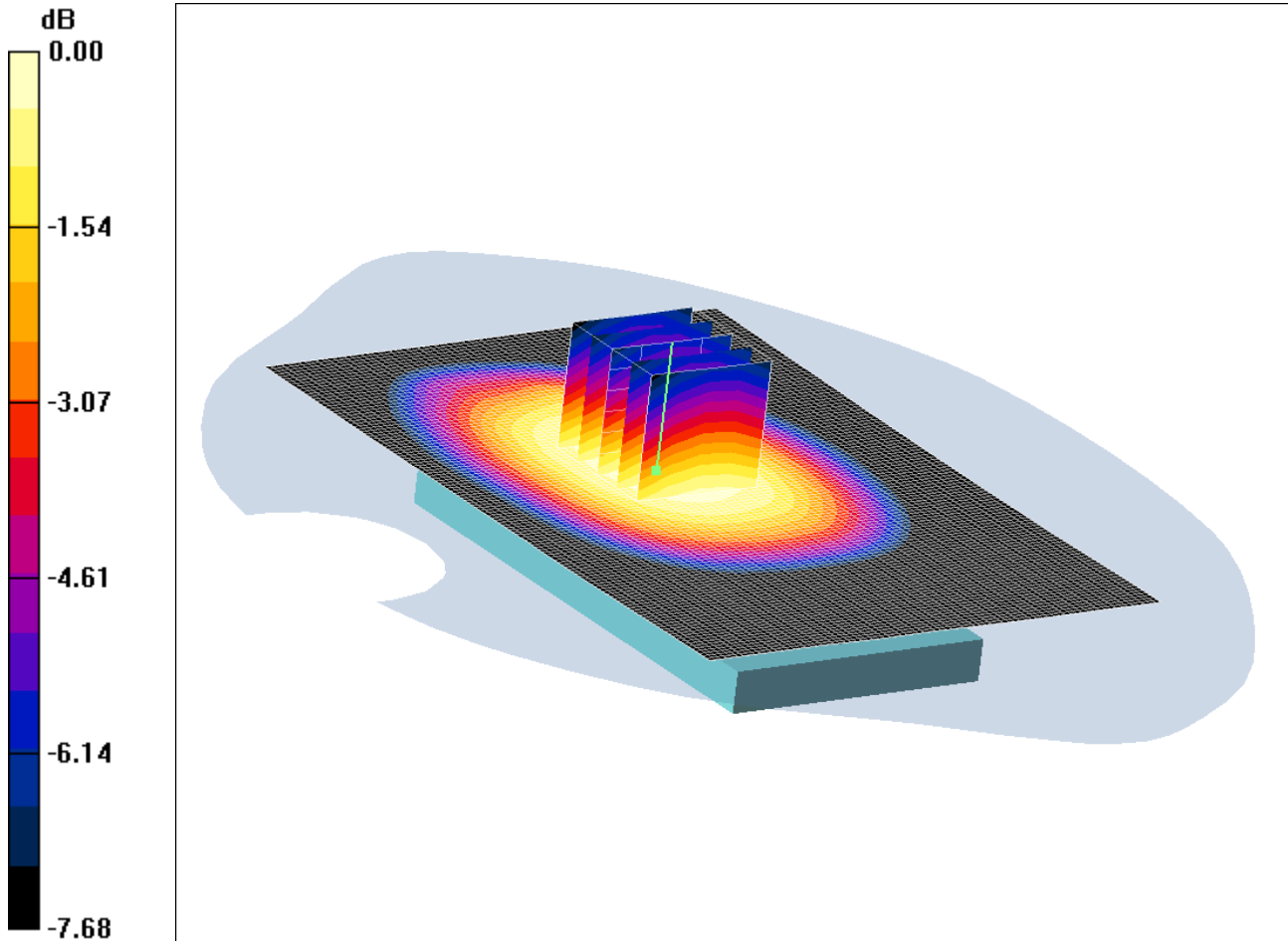
**SAR(1 g) = 0.250 mW/g; SAR(10 g) = 0.193 mW/g**

Maximum value of SAR (measured) = 0.261 mW/g

SCN/87471JD03A/051: Front of EUT Facing Phantom with Antenna Retracted UMTS FDD V CH4183

Date: 12/05/2012

DUT: Panasonic D21BR7; Type: D21BR7; Serial: 351808050018762



0 dB = 0.567mW/g

Communication System: UMTS-FDD V; Frequency: 836.6 MHz; Duty Cycle: 1:1

Medium: 900 MHz MSL Medium parameters used (interpolated):  $f = 836.6$  MHz;  $\sigma = 0.99$  mho/m;  $\epsilon_r = 56.3$ ;  $\rho = 1000$  kg/m<sup>3</sup>

Phantom section: Flat Section

DASY4 Configuration:

- Probe: ET3DV6 - SN1528; ConvF(5.77, 5.77, 5.77); Calibrated: 18/07/2011
- Sensor-Surface: 4mm (Mechanical Surface Detection)
- Electronics: DAE3 Sn432; Calibrated: 02/05/2012
- Phantom: SAM 12a (Site 57); Type: SAM 4.0; Serial: TP:1020
- Measurement SW: DASY4, V4.5 Build 19; Postprocessing SW: SEMCAD, V1.8 Build 145

**Front of EUT Facing Phantom with Antenna Retracted - Middle/Area Scan (81x121x1):** Measurement grid: dx=15mm, dy=15mm

Maximum value of SAR (interpolated) = 0.560 mW/g

**Front of EUT Facing Phantom with Antenna Retracted - Middle/Zoom Scan (5x5x7) 2 (5x5x7)/Cube 0:**

Measurement grid: dx=8mm, dy=8mm, dz=5mm

Reference Value = 24.1 V/m; Power Drift = -0.016 dB

Peak SAR (extrapolated) = 0.631 W/kg

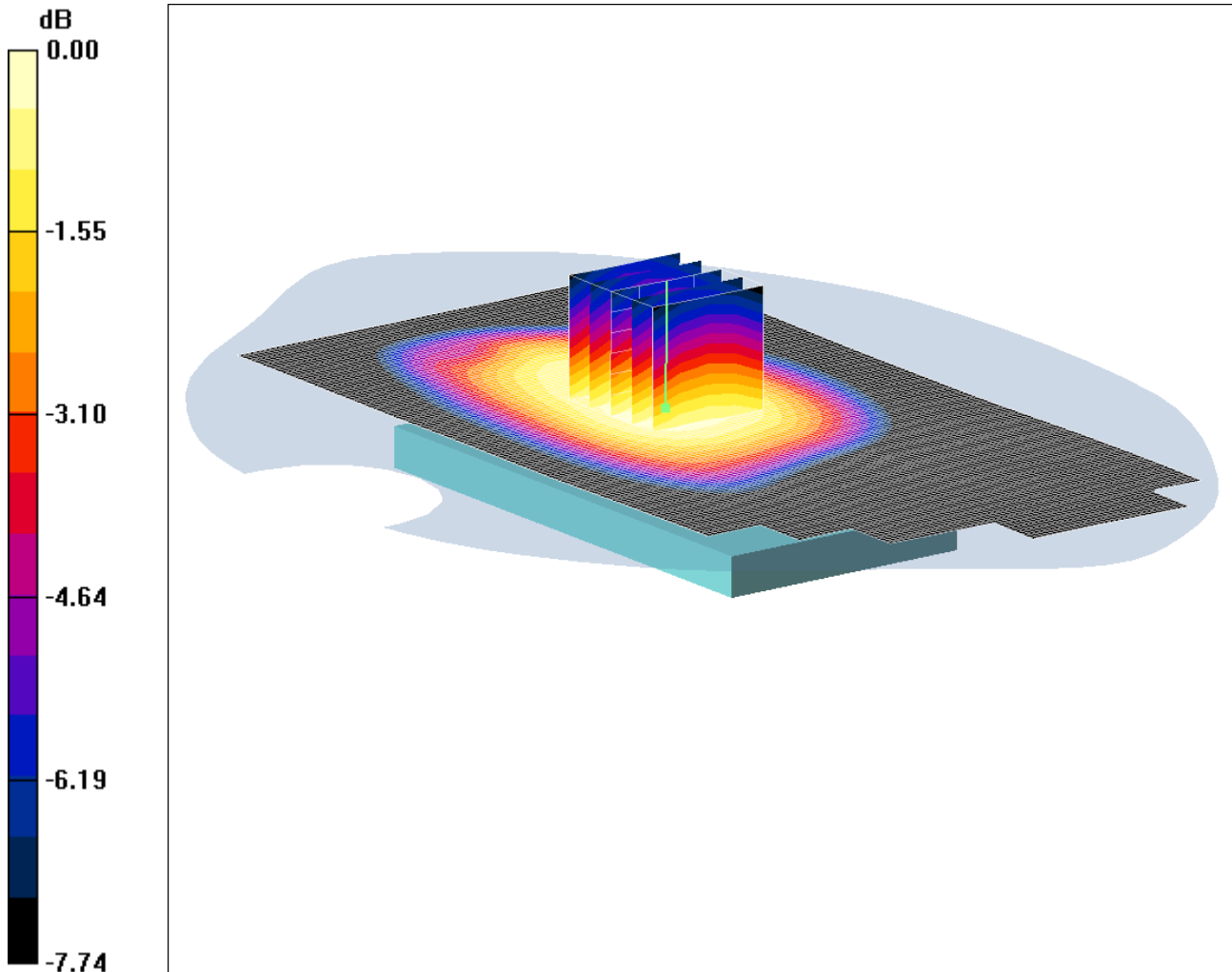
**SAR(1 g) = 0.542 mW/g; SAR(10 g) = 0.423 mW/g**

Maximum value of SAR (measured) = 0.567 mW/g

SCN/87471JD03A/052: Front of EUT Facing Phantom with Antenna Extended UMTS FDD V CH4183

Date: 13/05/2012

DUT: Panasonic D21BR7; Type: D21BR7; Serial: 351808050018762



0 dB = 0.457mW/g

Communication System: UMTS-FDD V; Frequency: 836.6 MHz; Duty Cycle: 1:1

Medium: 900 MHz MSL Medium parameters used (interpolated):  $f = 836.6$  MHz;  $\sigma = 0.99$  mho/m;  $\epsilon_r = 56.3$ ;  $\rho = 1000$  kg/m<sup>3</sup>

Phantom section: Flat Section

DASY4 Configuration:

- Probe: ET3DV6 - SN1528; ConvF(5.77, 5.77, 5.77); Calibrated: 18/07/2011

- Sensor-Surface: 4mm (Mechanical Surface Detection)

- Electronics: DAE3 Sn432; Calibrated: 02/05/2012

- Phantom: SAM 12a (Site 57); Type: SAM 4.0; Serial: TP:1020

- Measurement SW: DASY4, V4.5 Build 19; Postprocessing SW: SEMCAD, V1.8 Build 145

**Front of EUT Facing Phantom with Antenna Extended - Middle 2/Area Scan (81x151x1):** Measurement grid:

dx=15mm, dy=15mm

Maximum value of SAR (interpolated) = 0.456 mW/g

**Front of EUT Facing Phantom with Antenna Extended - Middle 2/Zoom Scan (5x5x7) 2 (5x5x7)/Cube 0:**

Measurement grid: dx=8mm, dy=8mm, dz=5mm

Reference Value = 22.3 V/m; Power Drift = -0.028 dB

Peak SAR (extrapolated) = 0.507 W/kg

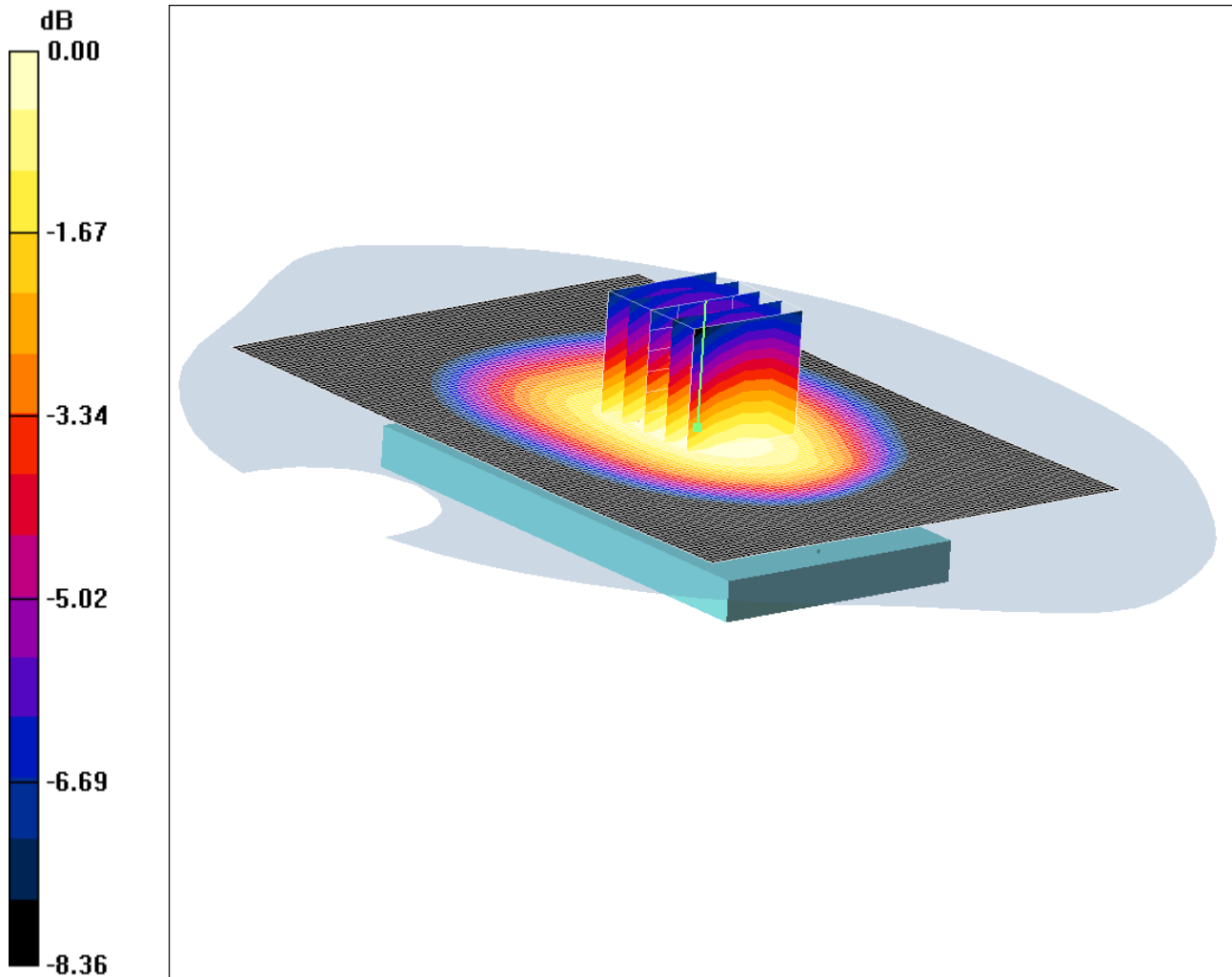
**SAR(1 g) = 0.435 mW/g; SAR(10 g) = 0.338 mW/g**

Maximum value of SAR (measured) = 0.457 mW/g

SCN/87471JD03A/053: Back of EUT Facing Phantom with Antenna Retracted UMTS FDD V CH4183

Date: 13/05/2012

DUT: Panasonic D21BR7; Type: D21BR7; Serial: 351808050018762



0 dB = 0.676mW/g

Communication System: UMTS-FDD V; Frequency: 836.6 MHz; Duty Cycle: 1:1

Medium: 900 MHz MSL Medium parameters used (interpolated):  $f = 836.6$  MHz;  $\sigma = 0.99$  mho/m;  $\epsilon_r = 56.3$ ;  $\rho = 1000$  kg/m<sup>3</sup>

Phantom section: Flat Section

DASY4 Configuration:

- Probe: ET3DV6 - SN1528; ConvF(5.77, 5.77, 5.77); Calibrated: 18/07/2011

- Sensor-Surface: 4mm (Mechanical Surface Detection)

- Electronics: DAE3 Sn432; Calibrated: 02/05/2012

- Phantom: SAM 12a (Site 57); Type: SAM 4.0; Serial: TP:1020

- Measurement SW: DASY4, V4.5 Build 19; Postprocessing SW: SEMCAD, V1.8 Build 145

**Back of EUT Facing Phantom with Antenna Retracted - Middle/Area Scan (81x121x1):** Measurement grid:

$dx=15$ mm,  $dy=15$ mm

Maximum value of SAR (interpolated) = 0.671 mW/g

**Back of EUT Facing Phantom with Antenna Retracted - Middle/Zoom Scan (5x5x7) 2 (5x5x7)/Cube 0:**

Measurement grid:  $dx=8$ mm,  $dy=8$ mm,  $dz=5$ mm

Reference Value = 27.1 V/m; Power Drift = 0.016 dB

Peak SAR (extrapolated) = 0.756 W/kg

**SAR(1 g) = 0.642 mW/g; SAR(10 g) = 0.496 mW/g**

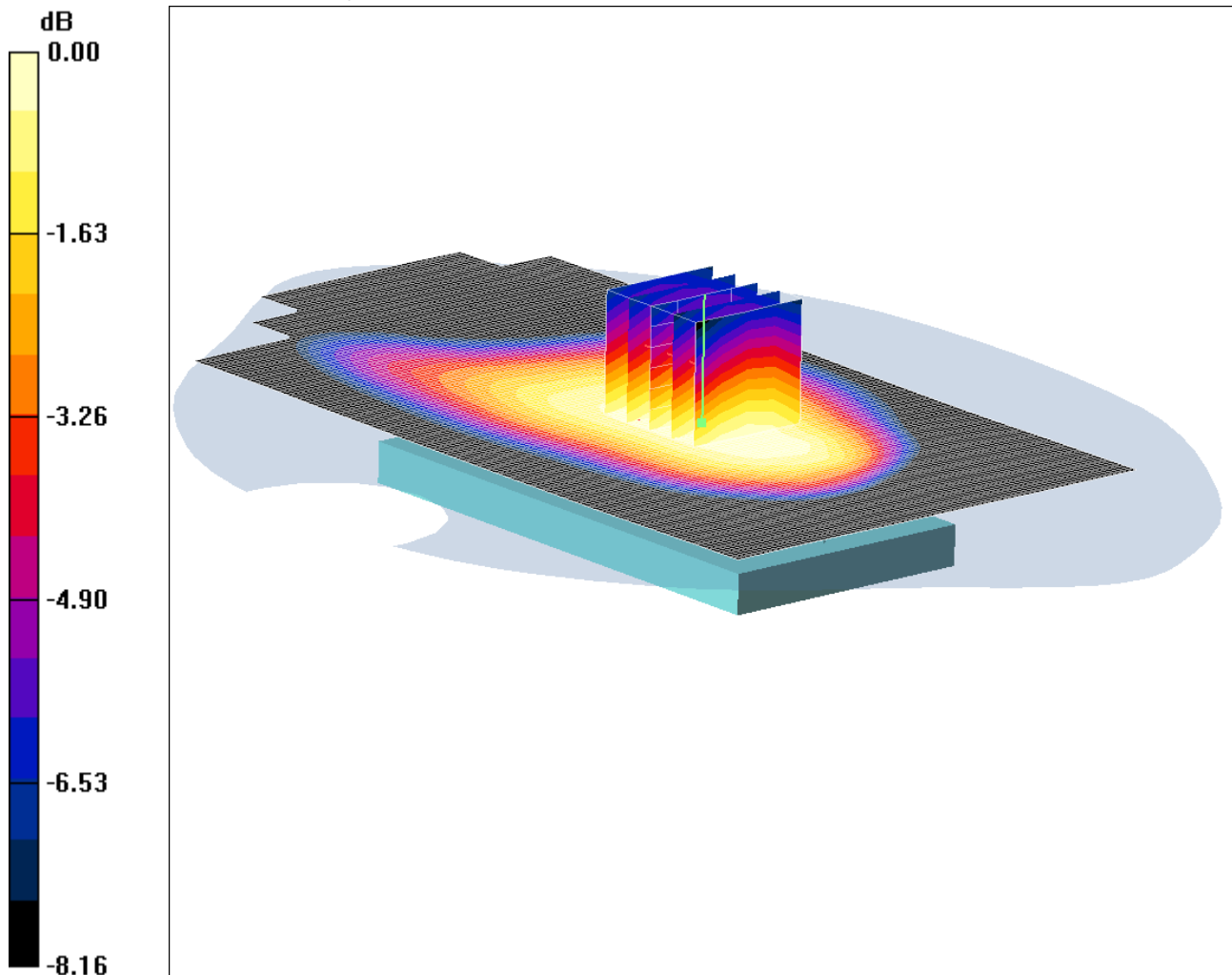
Maximum value of SAR (measured) = 0.676 mW/g



SCN/87471JD03A/054: Back of EUT Facing Phantom with Antenna Extended UMTS FDD V CH4183

Date: 13/05/2012

DUT: Panasonic D21BR7; Type: D21BR7; Serial: 351808050018762



0 dB = 0.412mW/g

Communication System: UMTS-FDD V; Frequency: 836.6 MHz; Duty Cycle: 1:1

Medium: 900 MHz MSL Medium parameters used (interpolated):  $f = 836.6$  MHz;  $\sigma = 0.99$  mho/m;  $\epsilon_r = 56.3$ ;  $\rho = 1000$  kg/m<sup>3</sup>

Phantom section: Flat Section

DASY4 Configuration:

- Probe: ET3DV6 - SN1528; ConvF(5.77, 5.77, 5.77); Calibrated: 18/07/2011

- Sensor-Surface: 4mm (Mechanical Surface Detection)

- Electronics: DAE3 Sn432; Calibrated: 02/05/2012

- Phantom: SAM 12a (Site 57); Type: SAM 4.0; Serial: TP:1020

- Measurement SW: DASY4, V4.5 Build 19; Postprocessing SW: SEMCAD, V1.8 Build 145

**Back of EUT Facing Phantom with Antenna Extended - Middle/Area Scan (81x151x1):** Measurement grid:

dx=15mm, dy=15mm

Maximum value of SAR (interpolated) = 0.414 mW/g

**Back of EUT Facing Phantom with Antenna Extended - Middle/Zoom Scan (5x5x7) 2 (5x5x7)/Cube 0:**

Measurement grid: dx=8mm, dy=8mm, dz=5mm

Reference Value = 21.1 V/m; Power Drift = 0.027 dB

Peak SAR (extrapolated) = 0.462 W/kg

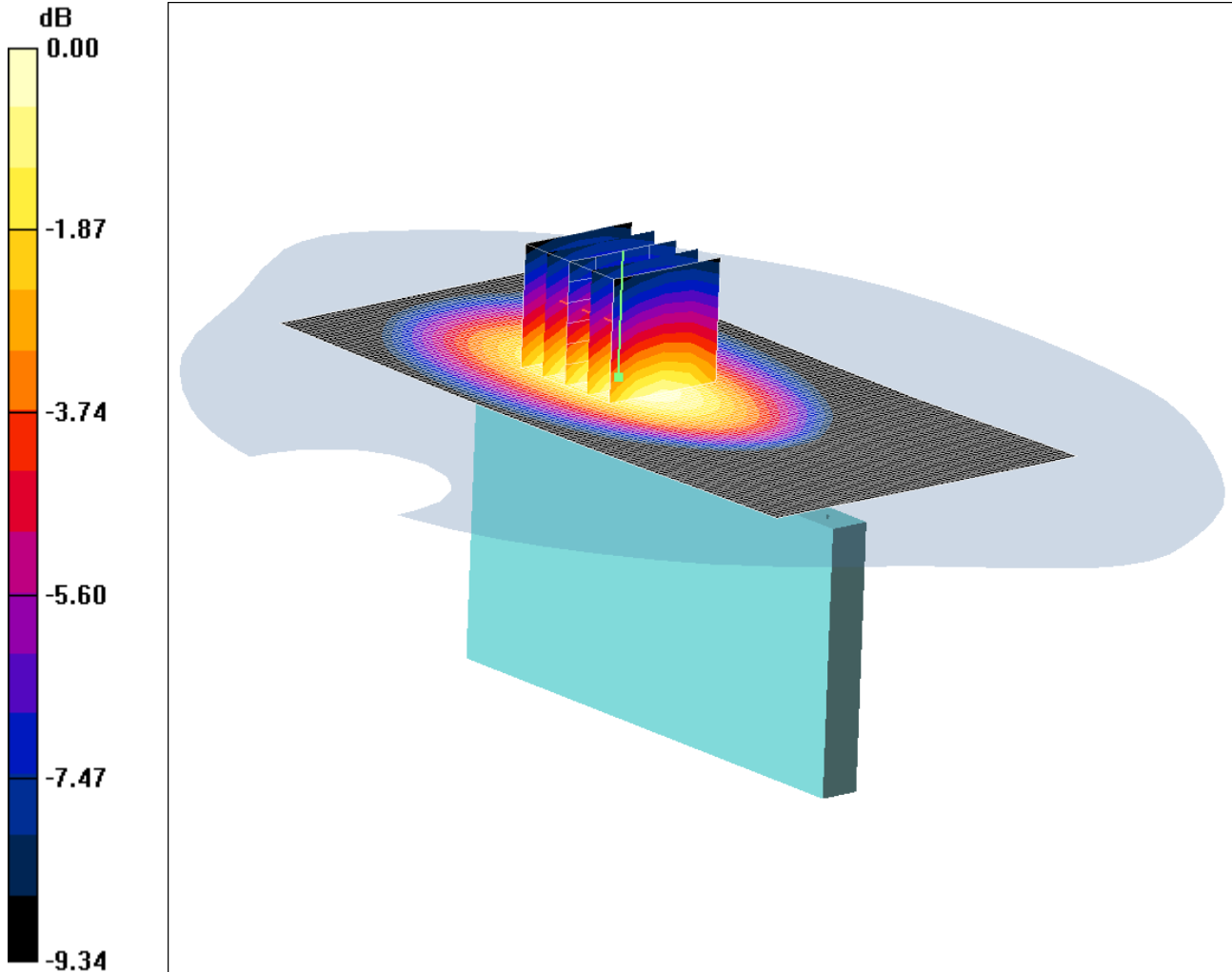
**SAR(1 g) = 0.393 mW/g; SAR(10 g) = 0.306 mW/g**

Maximum value of SAR (measured) = 0.412 mW/g

SCN/87471JD03A/055: Left Hand Side of EUT Facing Phantom with Antenna Retracted UMTS FDD V CH4183

Date: 13/05/2012

DUT: Panasonic D21BR7; Type: D21BR7; Serial: 351808050018762



0 dB = 0.315mW/g

Communication System: UMTS-FDD V; Frequency: 836.6 MHz; Duty Cycle: 1:1

Medium: 900 MHz MSL Medium parameters used (interpolated):  $f = 836.6$  MHz;  $\sigma = 0.99$  mho/m;  $\epsilon_r = 56.3$ ;  $\rho = 1000$  kg/m<sup>3</sup>

Phantom section: Flat Section

DASY4 Configuration:

- Probe: ET3DV6 - SN1528; ConvF(5.77, 5.77, 5.77); Calibrated: 18/07/2011

- Sensor-Surface: 4mm (Mechanical Surface Detection)

- Electronics: DAE3 Sn432; Calibrated: 02/05/2012

- Phantom: SAM 12a (Site 57); Type: SAM 4.0; Serial: TP:1020

- Measurement SW: DASY4, V4.5 Build 19; Postprocessing SW: SEMCAD, V1.8 Build 145

**Left Hand Side of EUT Facing Phantom with Antenna Retracted - Middle/Area Scan (61x121x1):**

Measurement grid: dx=15mm, dy=15mm

Maximum value of SAR (interpolated) = 0.322 mW/g

**Left Hand Side of EUT Facing Phantom with Antenna Retracted - Middle/Zoom Scan (5x5x7) 2**

**(5x5x7)/Cube 0:** Measurement grid: dx=8mm, dy=8mm, dz=5mm

Reference Value = 17.9 V/m; Power Drift = -0.271 dB

Peak SAR (extrapolated) = 0.388 W/kg

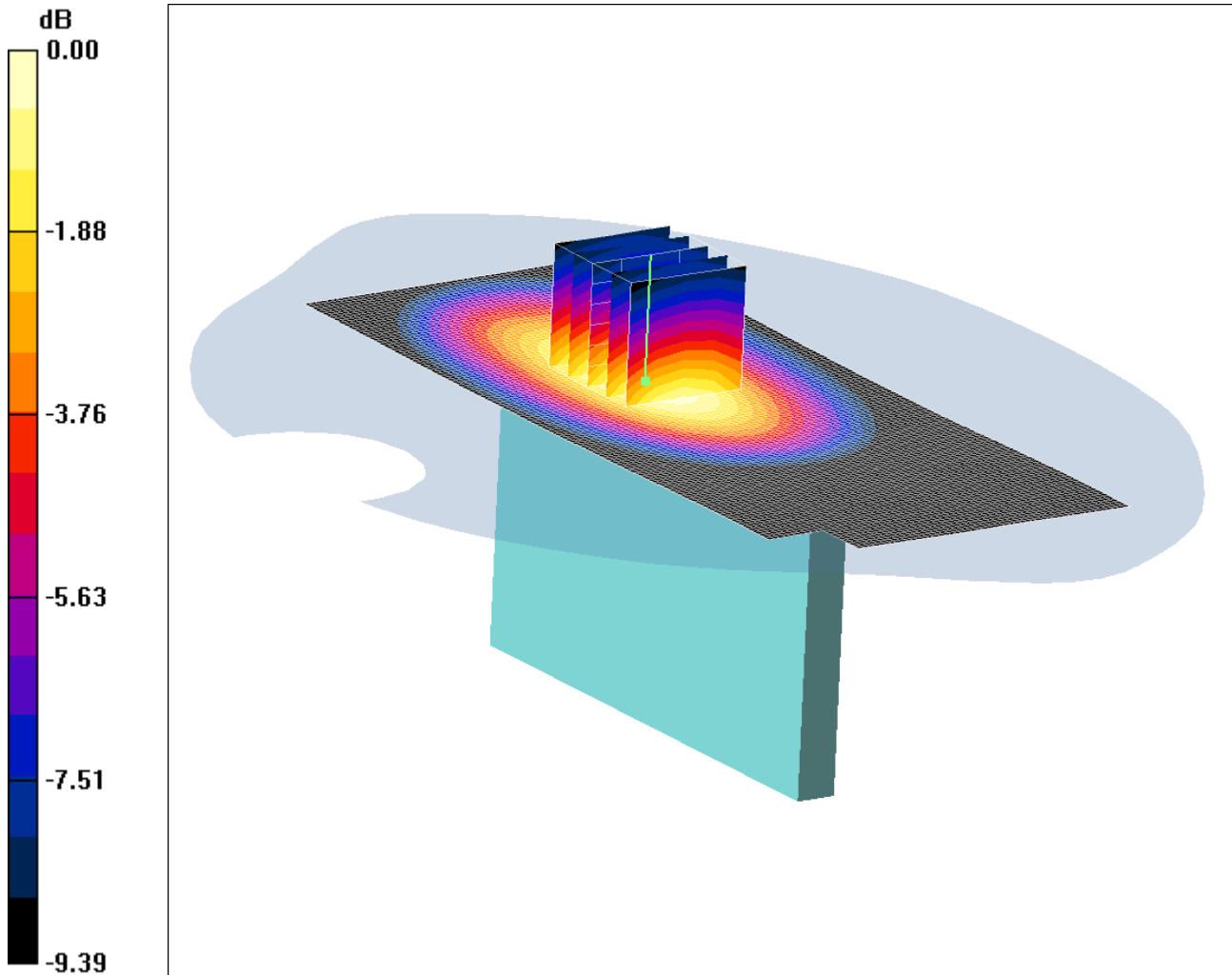
**SAR(1 g) = 0.295 mW/g; SAR(10 g) = 0.206 mW/g**

Maximum value of SAR (measured) = 0.315 mW/g

SCN/87471JD03A/056: Left Hand Side of EUT Facing Phantom with Antenna Extended UMTS FDD V CH4183

Date: 13/05/2012

DUT: Panasonic D21BR7; Type: D21BR7; Serial: 351808050018762



0 dB = 0.196mW/g

Communication System: UMTS-FDD V; Frequency: 836.6 MHz; Duty Cycle: 1:1

Medium: 900 MHz MSL Medium parameters used (interpolated):  $f = 836.6$  MHz;  $\sigma = 0.99$  mho/m;  $\epsilon_r = 56.3$ ;  $\rho = 1000$  kg/m<sup>3</sup>

Phantom section: Flat Section

DASY4 Configuration:

- Probe: ET3DV6 - SN1528; ConvF(5.77, 5.77, 5.77); Calibrated: 18/07/2011

- Sensor-Surface: 4mm (Mechanical Surface Detection)

- Electronics: DAE3 Sn432; Calibrated: 02/05/2012

- Phantom: SAM 12a (Site 57); Type: SAM 4.0; Serial: TP:1020

- Measurement SW: DASY4, V4.5 Build 19; Post-processing SW: SEMCAD, V1.8 Build 145

**Left Hand Side of EUT Facing Phantom with Antenna Extended - Middle/Area Scan (61x141x1):**

Measurement grid: dx=15mm, dy=15mm

Maximum value of SAR (interpolated) = 0.198 mW/g

**Left Hand Side of EUT Facing Phantom with Antenna Extended - Middle/Zoom Scan (5x5x7) 2**

**(5x5x7)/Cube 0:** Measurement grid: dx=8mm, dy=8mm, dz=5mm

Reference Value = 14.3 V/m; Power Drift = -0.00 dB

Peak SAR (extrapolated) = 0.241 W/kg

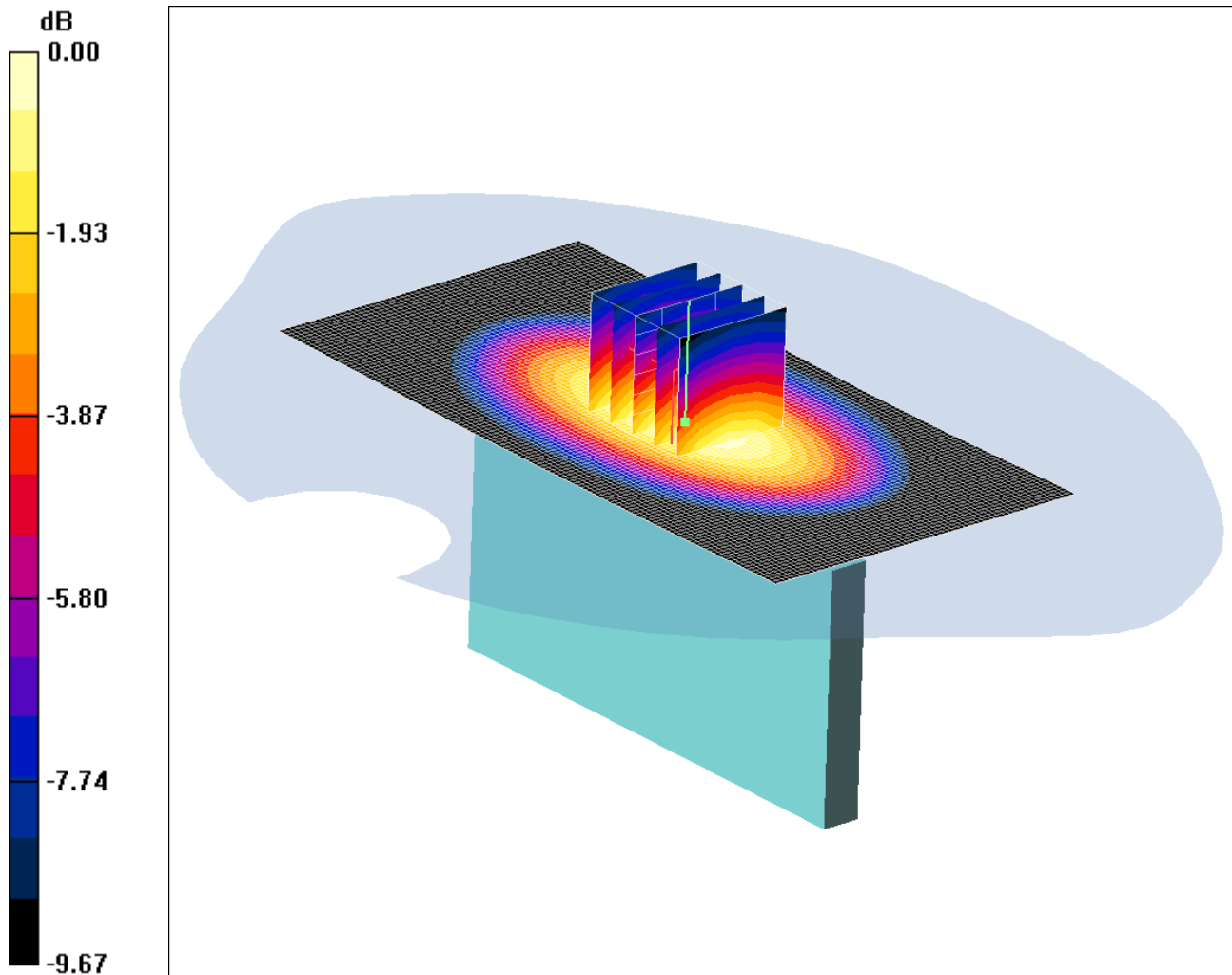
**SAR(1 g) = 0.182 mW/g; SAR(10 g) = 0.127 mW/g**

Maximum value of SAR (measured) = 0.196 mW/g

SCN/87471JD03A/057: Right Hand Side of EUT Facing Phantom with Antenna Retracted UMTS FDD V CH4183

Date: 14/05/2012

DUT: Panasonic D21BR7; Type: D21BR7; Serial: 351808050018762



0 dB = 0.424mW/g

Communication System: UMTS-FDD V; Frequency: 836.6 MHz; Duty Cycle: 1:1

Medium: 900 MHz MSL Medium parameters used (interpolated):  $f = 836.6$  MHz;  $\sigma = 0.976$  mho/m;  $\epsilon_r = 56.3$ ;  $\rho = 1000$  kg/m<sup>3</sup>

Phantom section: Flat Section

DASY4 Configuration:

- Probe: ET3DV6 - SN1528; ConvF(5.77, 5.77, 5.77); Calibrated: 18/07/2011

- Sensor-Surface: 4mm (Mechanical Surface Detection)

- Electronics: DAE3 Sn432; Calibrated: 02/05/2012

- Phantom: SAM 12a (Site 57); Type: SAM 4.0; Serial: TP:1020

- Measurement SW: DASY4, V4.5 Build 19; Postprocessing SW: SEMCAD, V1.8 Build 145

**Right Hand Side of EUT Facing Phantom with Antenna Retracted - Middle/Area Scan (61x121x1):**

Measurement grid: dx=15mm, dy=15mm

Maximum value of SAR (interpolated) = 0.420 mW/g

**Right Hand Side of EUT Facing Phantom with Antenna Retracted - Middle/Zoom Scan (5x5x7) 2**

**(5x5x7)/Cube 0:** Measurement grid: dx=8mm, dy=8mm, dz=5mm

Reference Value = 21.4 V/m; Power Drift = 0.196 dB

Peak SAR (extrapolated) = 0.520 W/kg

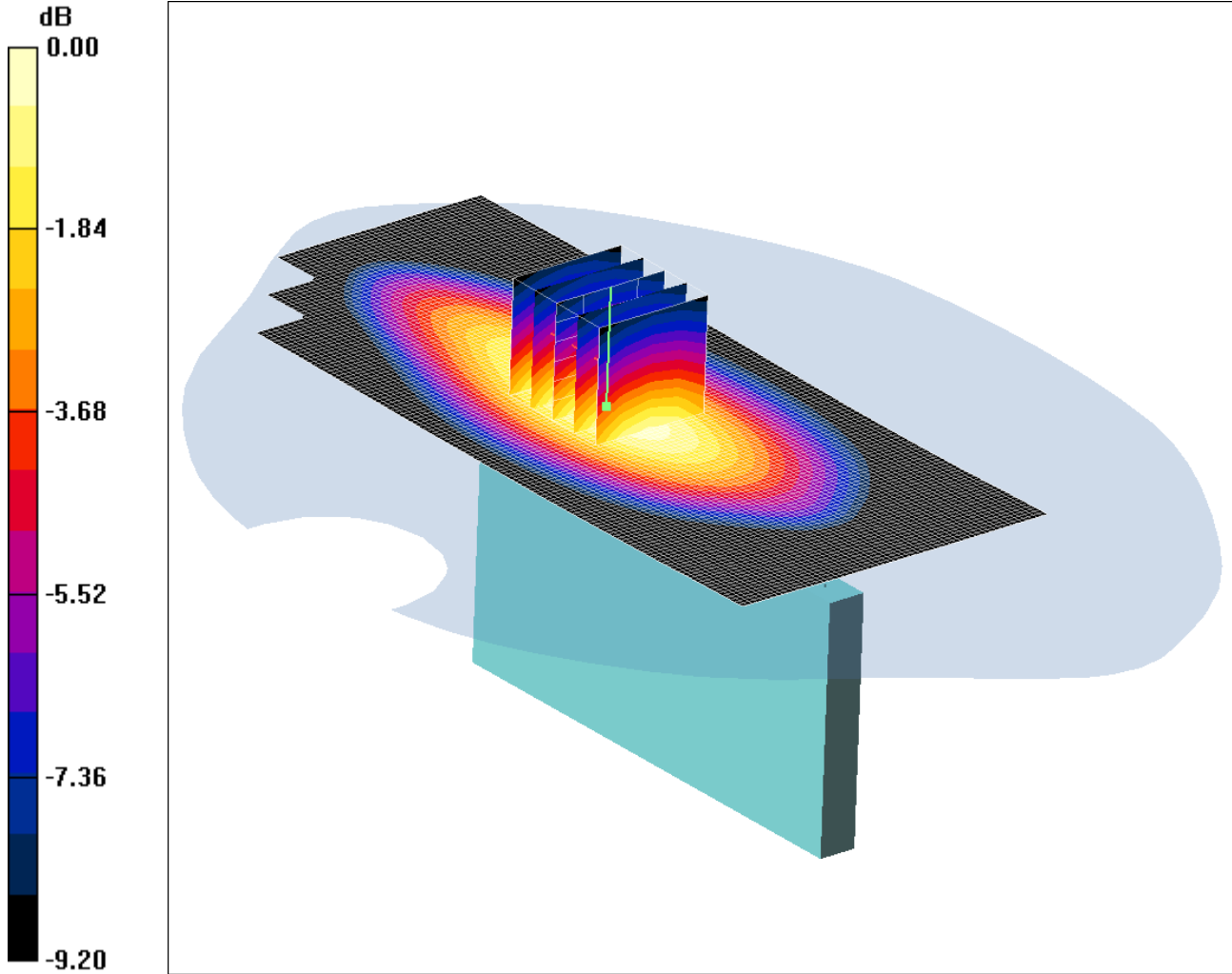
**SAR(1 g) = 0.396 mW/g; SAR(10 g) = 0.277 mW/g**

Maximum value of SAR (measured) = 0.424 mW/g

SCN/87471JD03A/058: Right Hand Side of EUT Facing Phantom with Antenna Extended UMTS FDD V CH4183

Date: 14/05/2012

DUT: Panasonic D21BR7; Type: D21BR7; Serial: 351808050018762



0 dB = 0.273mW/g

Communication System: UMTS-FDD V; Frequency: 836.6 MHz; Duty Cycle: 1:1

Medium: 900 MHz MSL Medium parameters used (interpolated):  $f = 836.6$  MHz;  $\sigma = 0.976$  mho/m;  $\epsilon_r = 56.3$ ;  $\rho = 1000$  kg/m<sup>3</sup>

Phantom section: Flat Section

DASY4 Configuration:

- Probe: ET3DV6 - SN1528; ConvF(5.77, 5.77, 5.77); Calibrated: 18/07/2011

- Sensor-Surface: 4mm (Mechanical Surface Detection)

- Electronics: DAE3 Sn432; Calibrated: 02/05/2012

- Phantom: SAM 12a (Site 57); Type: SAM 4.0; Serial: TP:1020

- Measurement SW: DASY4, V4.5 Build 19; Postprocessing SW: SEMCAD, V1.8 Build 145

**Right Hand Side of EUT Facing Phantom with Antenna Extended - Middle/Area Scan (61x141x1):**

Measurement grid: dx=15mm, dy=15mm

Maximum value of SAR (interpolated) = 0.272 mW/g

**Right Hand Side of EUT Facing Phantom with Antenna Extended - Middle/Zoom Scan (5x5x7) 2**

**(5x5x7)/Cube 0:** Measurement grid: dx=8mm, dy=8mm, dz=5mm

Reference Value = 15.8 V/m; Power Drift = 0.011 dB

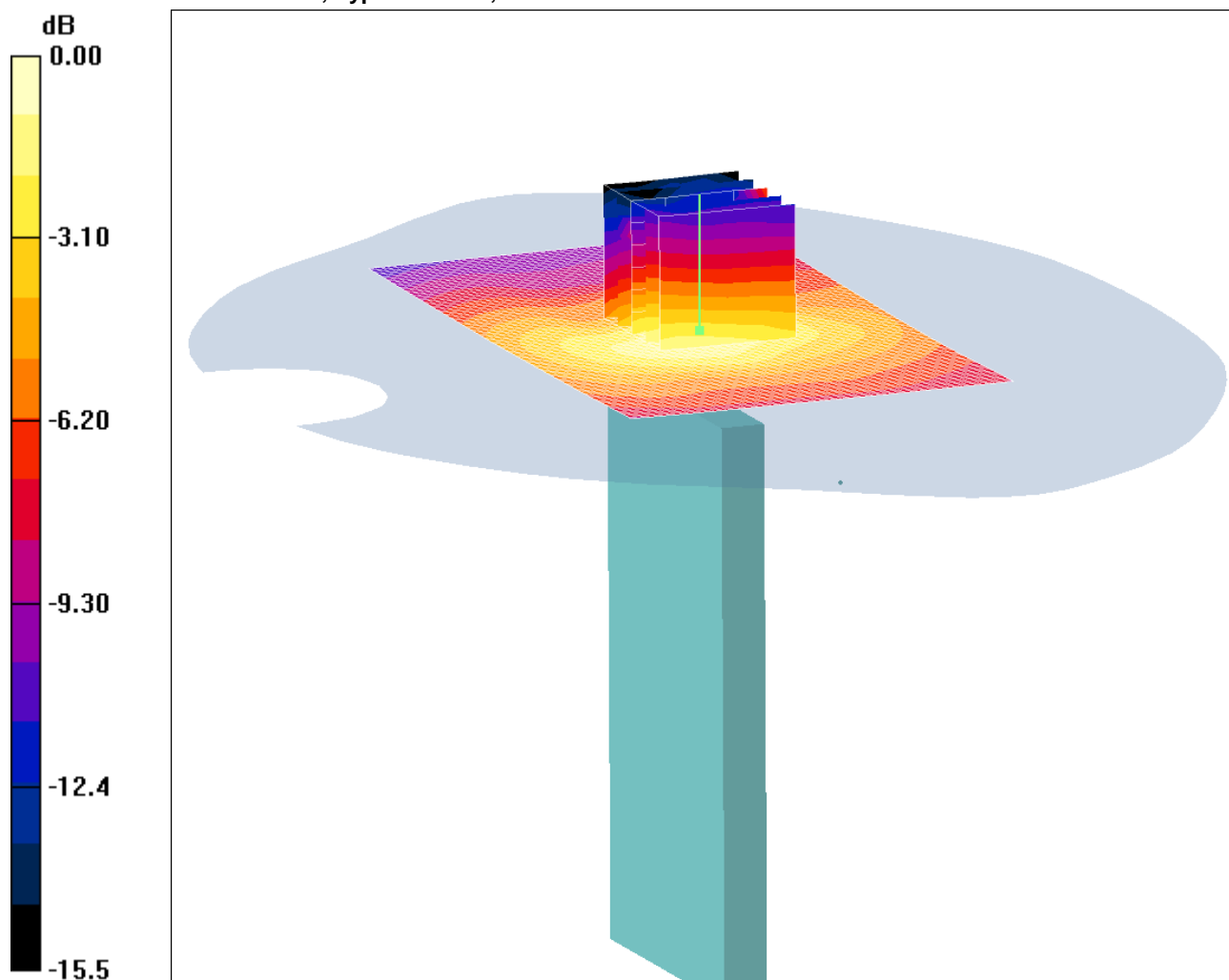
Peak SAR (extrapolated) = 0.331 W/kg

**SAR(1 g) = 0.253 mW/g; SAR(10 g) = 0.177 mW/g**

Maximum value of SAR (measured) = 0.273 mW/g



SCN/87471JD03A/059: Bottom of EUT Facing Phantom with Antenna Retracted UMTS FDD V CH4183  
Date: 14/05/2012  
DUT: Panasonic D21BR7; Type: D21BR7; Serial: 351808050018762



0 dB = 0.068mW/g

Communication System: UMTS-FDD V; Frequency: 836.6 MHz; Duty Cycle: 1:1  
Medium: 900 MHz MSL Medium parameters used (interpolated):  $f = 836.6$  MHz;  $\sigma = 0.976$  mho/m;  $\epsilon_r = 56.3$ ;  $\rho = 1000$  kg/m<sup>3</sup>

Phantom section: Flat Section

DASY4 Configuration:

- Probe: ET3DV6 - SN1528; ConvF(5.77, 5.77, 5.77); Calibrated: 18/07/2011
- Sensor-Surface: 4mm (Mechanical Surface Detection)
- Electronics: DAE3 Sn432; Calibrated: 02/05/2012
- Phantom: SAM 12a (Site 57); Type: SAM 4.0; Serial: TP:1020
- Measurement SW: DASY4, V4.5 Build 19; Postprocessing SW: SEMCAD, V1.8 Build 145

**Bottom of EUT Facing Phantom with Antenna Retracted- Middle/Area Scan (61x101x1):** Measurement grid: dx=15mm, dy=15mm

Maximum value of SAR (interpolated) = 0.065 mW/g

**Bottom of EUT Facing Phantom with Antenna Retracted- Middle/Zoom Scan (5x5x7) 2 (5x5x7)/Cube 0:**

Measurement grid: dx=8mm, dy=8mm, dz=5mm

Reference Value = 8.25 V/m; Power Drift = 0.144 dB

Peak SAR (extrapolated) = 0.134 W/kg

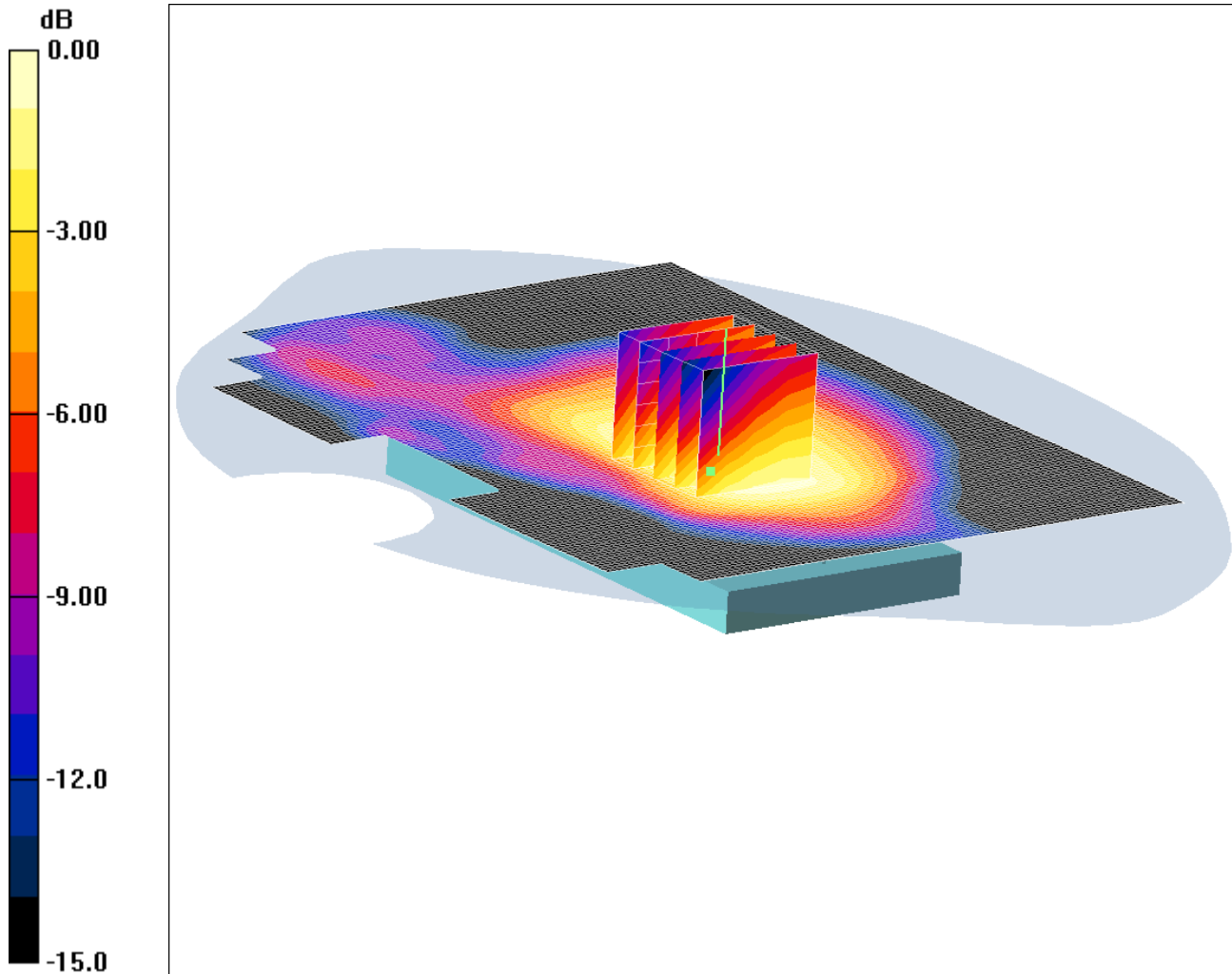
**SAR(1 g) = 0.063 mW/g; SAR(10 g) = 0.035 mW/g**

Maximum value of SAR (measured) = 0.068 mW/g

SCN/87471JD03A/060: Back of EUT Facing Phantom with Antenna Retracted with PHF UMTS FDD V  
CH4183

Date: 14/05/2012

DUT: Panasonic D21BR7; Type: D21BR7; Serial: 351808050018762



0 dB = 0.672mW/g

Communication System: UMTS-FDD V; Frequency: 836.6 MHz; Duty Cycle: 1:1

Medium: 900 MHz MSL Medium parameters used (interpolated):  $f = 836.6$  MHz;  $\sigma = 0.976$  mho/m;  $\epsilon_r = 56.3$ ;  $\rho = 1000$  kg/m<sup>3</sup>

Phantom section: Flat Section

DASY4 Configuration:

- Probe: ET3DV6 - SN1528; ConvF(5.77, 5.77, 5.77); Calibrated: 18/07/2011

- Sensor-Surface: 4mm (Mechanical Surface Detection)

- Electronics: DAE3 Sn432; Calibrated: 02/05/2012

- Phantom: SAM 12a (Site 57); Type: SAM 4.0; Serial: TP:1020

- Measurement SW: DASY4, V4.5 Build 19; Postprocessing SW: SEMCAD, V1.8 Build 145

**Rear of EUT Facing Phantom with Antenna Retracted with PHF- Middle/Area Scan (101x131x1):**

Measurement grid:  $dx=15$ mm,  $dy=15$ mm

Maximum value of SAR (interpolated) = 0.699 mW/g

**Rear of EUT Facing Phantom with Antenna Retracted with PHF- Middle/Zoom Scan (5x5x7) 2**

**(5x5x7)/Cube 0:** Measurement grid:  $dx=8$ mm,  $dy=8$ mm,  $dz=5$ mm

Reference Value = 24.5 V/m; Power Drift = 0.129 dB

Peak SAR (extrapolated) = 0.781 W/kg

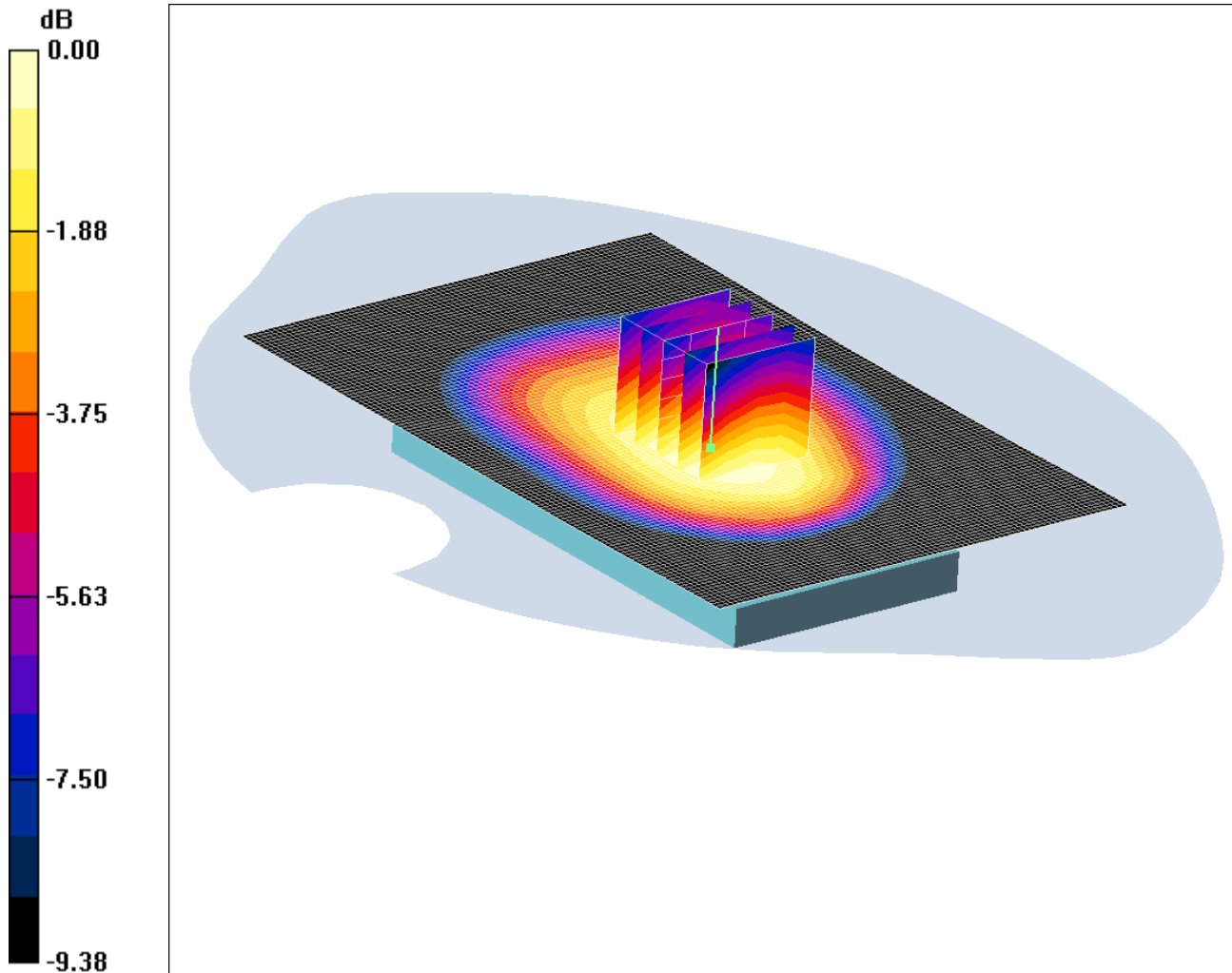
**SAR(1 g) = 0.647 mW/g; SAR(10 g) = 0.489 mW/g**

Maximum value of SAR (measured) = 0.672 mW/g

SCN/87471JD03A/061: Back of EUT Facing Phantom with Antenna Retracted UMTS + HSDPA FDD V  
CH4183

Date: 14/05/2012

DUT: Panasonic D21BR7; Type: D21BR7; Serial: 351808050018762



0 dB = 0.523mW/g

Communication System: UMTS-FDD V; Frequency: 836.6 MHz; Duty Cycle: 1:1

Medium: 900 MHz MSL Medium parameters used (interpolated):  $f = 836.6$  MHz;  $\sigma = 0.976$  mho/m;  $\epsilon_r = 56.3$ ;  $\rho = 1000$  kg/m<sup>3</sup>

Phantom section: Flat Section

DASY4 Configuration:

- Probe: ET3DV6 - SN1528; ConvF(5.77, 5.77, 5.77); Calibrated: 18/07/2011

- Sensor-Surface: 4mm (Mechanical Surface Detection)

- Electronics: DAE3 Sn432; Calibrated: 02/05/2012

- Phantom: SAM 12a (Site 57); Type: SAM 4.0; Serial: TP:1020

- Measurement SW: DASY4, V4.5 Build 19; Postprocessing SW: SEMCAD, V1.8 Build 145

**Rear of EUT Facing Phantom with Antenna Retracted - Middle/Area Scan (81x121x1):** Measurement grid:

dx=15mm, dy=15mm

Maximum value of SAR (interpolated) = 0.514 mW/g

**Rear of EUT Facing Phantom with Antenna Retracted - Middle/Zoom Scan (5x5x7) 2 (5x5x7)/Cube 0:**

Measurement grid: dx=8mm, dy=8mm, dz=5mm

Reference Value = 23.3 V/m; Power Drift = 0.079 dB

Peak SAR (extrapolated) = 0.583 W/kg

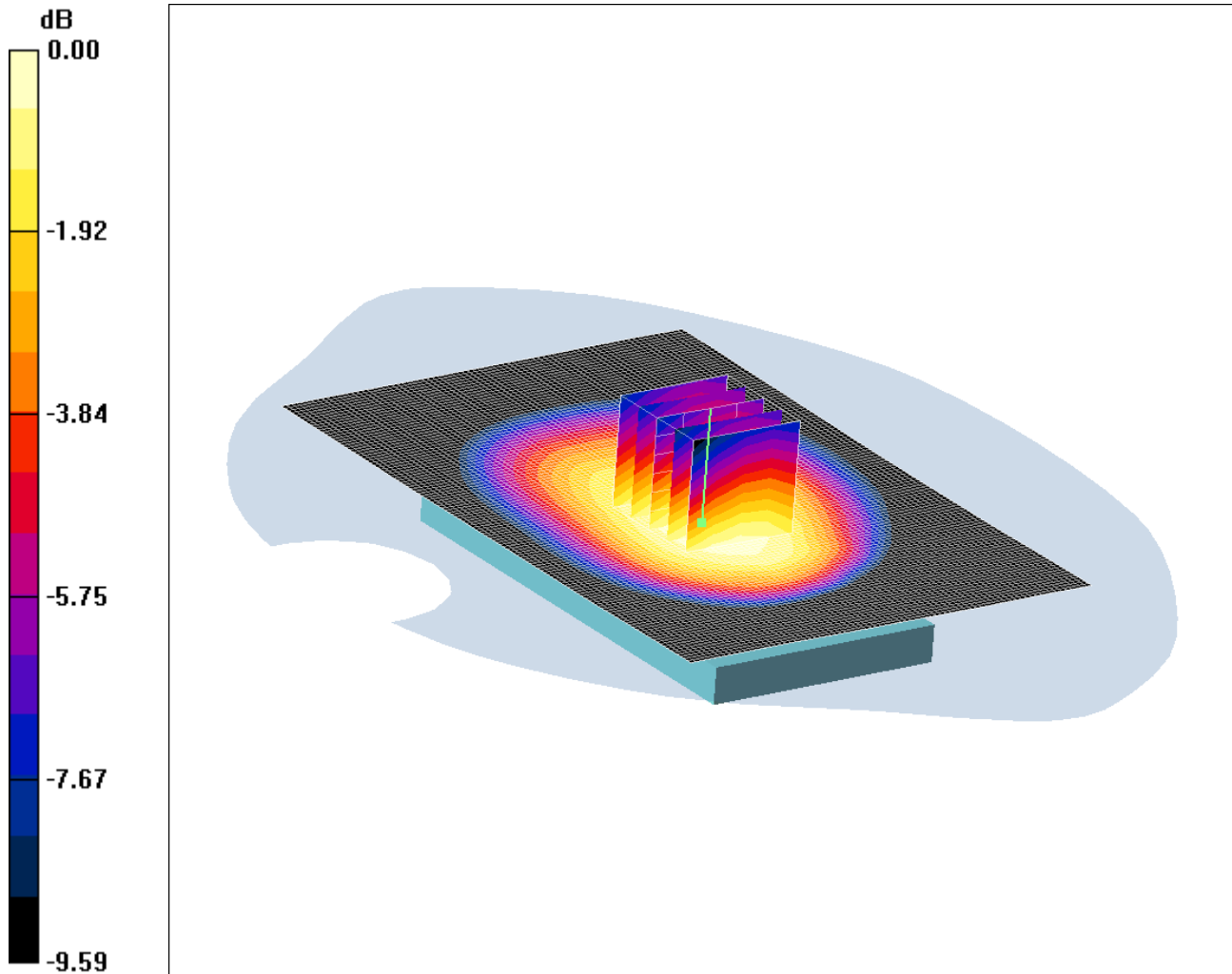
**SAR(1 g) = 0.498 mW/g; SAR(10 g) = 0.384 mW/g**

Maximum value of SAR (measured) = 0.523 mW/g

SCN/87471JD03A/062: Back of EUT Facing Phantom with Antenna Retracted UMTS + HSPA FDD V  
CH4183

Date 14/05/2012

DUT: Panasonic D21BR7; Type: D21BR7; Serial: 351808050018762



0 dB = 0.388mW/g

Communication System: UMTS-FDD V; Frequency: 836.6 MHz; Duty Cycle: 1:1

Medium: 900 MHz MSL Medium parameters used (interpolated):  $f = 836.6$  MHz;  $\sigma = 0.976$  mho/m;  $\epsilon_r = 56.3$ ;  $\rho = 1000$  kg/m<sup>3</sup>

Phantom section: Flat Section

DASY4 Configuration:

- Probe: ET3DV6 - SN1528; ConvF(5.77, 5.77, 5.77); Calibrated: 18/07/2011

- Sensor-Surface: 4mm (Mechanical Surface Detection)

- Electronics: DAE3 Sn432; Calibrated: 02/05/2012

- Phantom: SAM 12a (Site 57); Type: SAM 4.0; Serial: TP:1020

- Measurement SW: DASY4, V4.5 Build 19; Postprocessing SW: SEMCAD, V1.8 Build 145

**Rear of EUT Facing Phantom with Antenna Retracted - Middle/Area Scan (81x121x1):** Measurement grid:  
dx=15mm, dy=15mm

Maximum value of SAR (interpolated) = 0.385 mW/g

**Rear of EUT Facing Phantom with Antenna Retracted - Middle/Zoom Scan (5x5x7) 2 (5x5x7)/Cube 0:**

Measurement grid: dx=8mm, dy=8mm, dz=5mm

Reference Value = 20.4 V/m; Power Drift = 0.01 dB

Peak SAR (extrapolated) = 0.434 W/kg

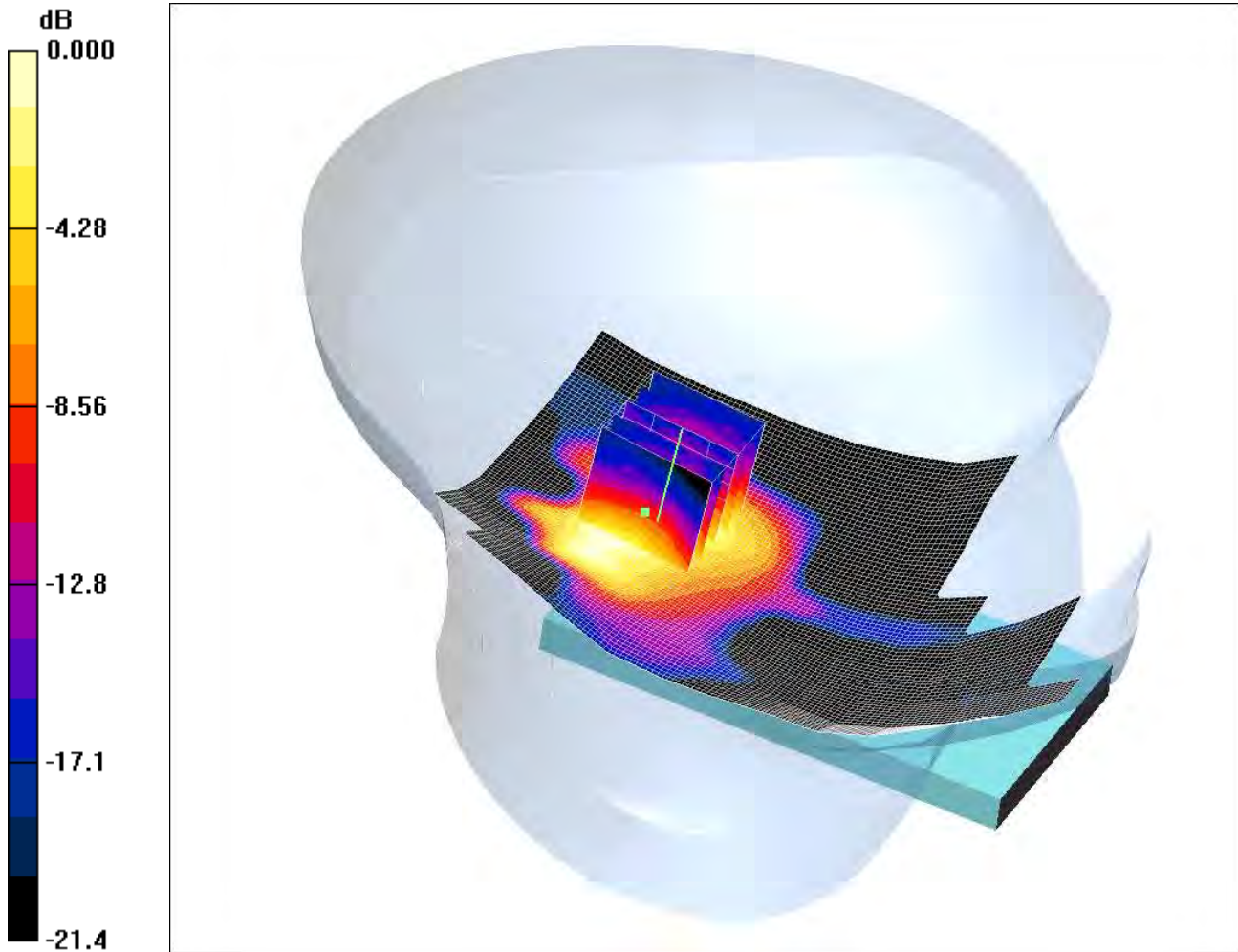
**SAR(1 g) = 0.370 mW/g; SAR(10 g) = 0.286 mW/g**

Maximum value of SAR (measured) = 0.388 mW/g

SCN/87471JD03A/063: Touch Left Antenna Retracted WLAN 802.11b 1Mbps CH6

Date 17/05/2012

DUT: Panasonic ; Type: D21BR7; Serial: 351808050018762



0 dB = 0.117mW/g

Communication System: WLAN; Frequency: 2437 MHz; Duty Cycle: 1:1

Medium: 2450 MHz HSL Medium parameters used (interpolated):  $f = 2437$  MHz;  $\sigma = 1.81$  mho/m;  $\epsilon_r = 37.8$ ;  $\rho = 1000$  kg/m<sup>3</sup>

Phantom section: Left Section

DASY4 Configuration:

- Probe: EX3DV4 - SN3814; ConvF(7.02, 7.02, 7.02); Calibrated: 22/09/2011

- Sensor-Surface: 4mm (Mechanical Surface Detection)

- Electronics: DAE3 Sn394; Calibrated: 26/01/2012

- Phantom: SAM 12b; Type: SAM 4.0; Serial: TP:1207

- Measurement SW: DASY4, V4.7 Build 55; Postprocessing SW: SEMCAD, V1.8 Build 176

**Touch Left Antenna Retracted- Middle/Area Scan (81x131x1):** Measurement grid: dx=15mm, dy=15mm

Maximum value of SAR (interpolated) = 0.137 mW/g

**Touch Left Antenna Retracted- Middle/Zoom Scan (5x5x7) 2 (5x5x7)/Cube 0:** Measurement grid: dx=8mm,

dy=8mm, dz=5mm

Reference Value = 8.05 V/m; Power Drift = -0.042 dB

Peak SAR (extrapolated) = 0.208 W/kg

**SAR(1 g) = 0.104 mW/g; SAR(10 g) = 0.053 mW/g**

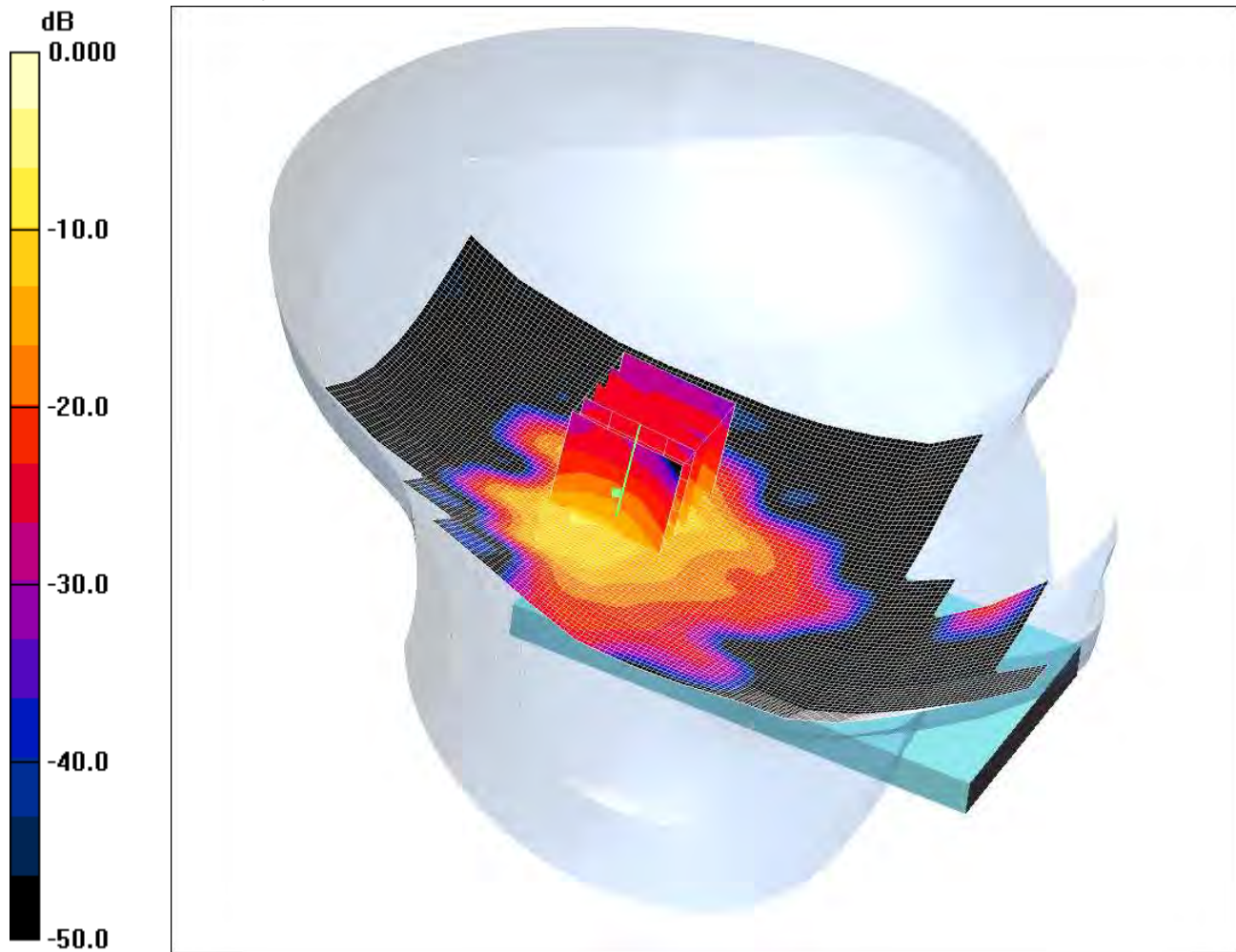
Maximum value of SAR (measured) = 0.117 mW/g



SCN/87471JD03A/064: Touch Left Antenna Extended WLAN 802.11b 1Mbps CH6

Date 17/05/2012

DUT: Panasonic ; Type: D21BR7; Serial: 351808050018762



0 dB = 1.00mW/g

Communication System: WLAN; Frequency: 2437 MHz; Duty Cycle: 1:1

Medium: 2450 MHz HSL Medium parameters used (interpolated):  $f = 2437$  MHz;  $\sigma = 1.81$  mho/m;  $\epsilon_r = 37.8$ ;  $\rho = 1000$  kg/m<sup>3</sup>

Phantom section: Left Section

DASY4 Configuration:

- Probe: EX3DV4 - SN3814; ConvF(7.02, 7.02, 7.02); Calibrated: 22/09/2011

- Sensor-Surface: 4mm (Mechanical Surface Detection)

- Electronics: DAE3 Sn394; Calibrated: 26/01/2012

- Phantom: SAM 12b; Type: SAM 4.0; Serial: TP:1207

- Measurement SW: DASY4, V4.7 Build 55; Postprocessing SW: SEMCAD, V1.8 Build 176

**Touch Left Antenna Extended Middle/Area Scan (81x141x1):** Measurement grid: dx=15mm, dy=15mm

Maximum value of SAR (interpolated) = 0.128 mW/g

**Touch Left Antenna Extended Middle/Zoom Scan (5x5x7) 2 (5x5x7)/Cube 0:** Measurement grid: dx=8mm, dy=8mm, dz=5mm

Reference Value = 7.77 V/m; Power Drift = 0.135 dB

Peak SAR (extrapolated) = 0.201 W/kg

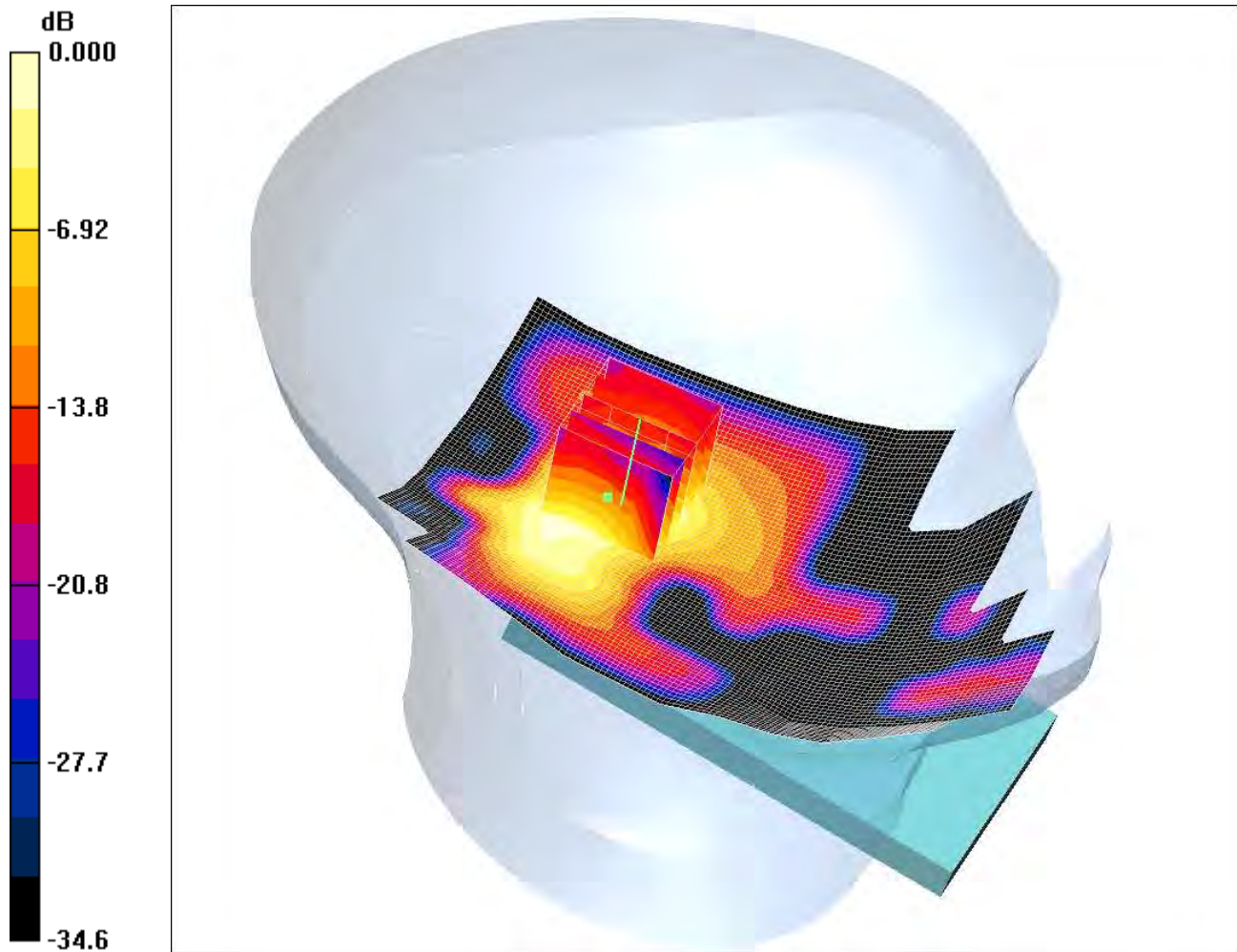
**SAR(1 g) = 0.101 mW/g; SAR(10 g) = 0.051 mW/g**

Maximum value of SAR (measured) = 0.110 mW/g

SCN/87471JD03A/065: Tilt Left Antenna Retracted WLAN 802.11b 1Mbps CH6

Date 17/05/2012

DUT: Panasonic ; Type: D21BR7; Serial: 351808050018762



0 dB = 0.117mW/g

Communication System: WLAN; Frequency: 2437 MHz; Duty Cycle: 1:1

Medium: 2450 MHz HSL Medium parameters used (interpolated):  $f = 2437$  MHz;  $\sigma = 1.81$  mho/m;  $\epsilon_r = 37.8$ ;  $\rho = 1000$  kg/m<sup>3</sup>

Phantom section: Left Section

DASY4 Configuration:

- Probe: EX3DV4 - SN3814; ConvF(7.02, 7.02, 7.02); Calibrated: 22/09/2011

- Sensor-Surface: 4mm (Mechanical Surface Detection)

- Electronics: DAE3 Sn394; Calibrated: 26/01/2012

- Phantom: SAM 12b; Type: SAM 4.0; Serial: TP:1207

- Measurement SW: DASY4, V4.7 Build 55; Postprocessing SW: SEMCAD, V1.8 Build 176

**Tilt Left Antenna Retracted Middle/Area Scan (81x121x1):** Measurement grid: dx=15mm, dy=15mm

Maximum value of SAR (interpolated) = 0.143 mW/g

**Tilt Left Antenna Retracted Middle/Zoom Scan (5x5x7) 2 (5x5x7)/Cube 0:** Measurement grid: dx=8mm,

dy=8mm, dz=5mm

Reference Value = 7.43 V/m; Power Drift = -0.004 dB

Peak SAR (extrapolated) = 0.210 W/kg

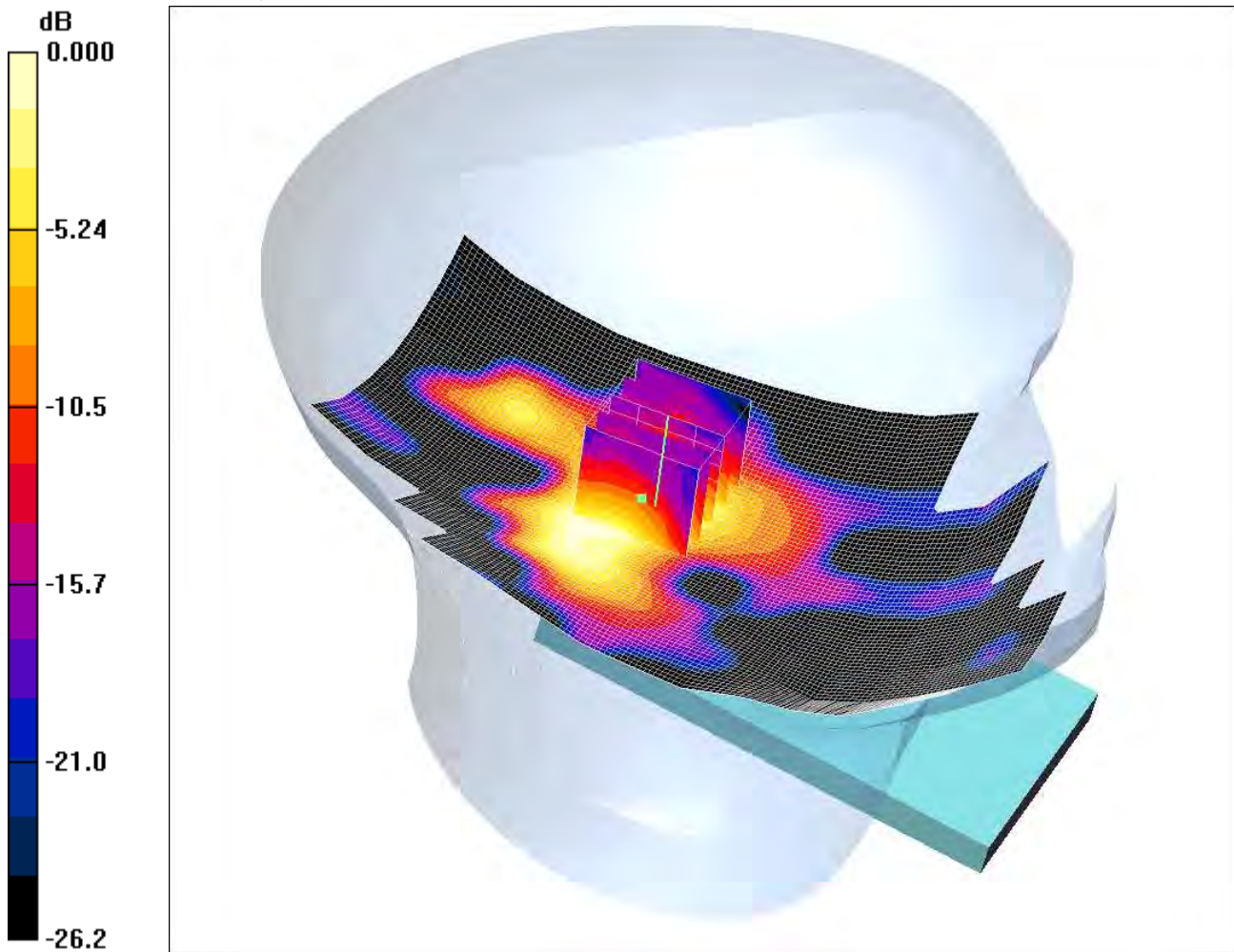
**SAR(1 g) = 0.104 mW/g; SAR(10 g) = 0.050 mW/g**

Maximum value of SAR (measured) = 0.117 mW/g

SCN/87471JD03A/066: Tilt Left Antenna Extended WLAN 802.11b 1Mbps CH6

Date17/05/2012

DUT: Panasonic ; Type: D21BR7; Serial: 351808050018762



0 dB = 0.104mW/g

Communication System: WLAN; Frequency: 2437 MHz; Duty Cycle: 1:1

Medium: 2450 MHz HSL Medium parameters used (interpolated):  $f = 2437$  MHz;  $\sigma = 1.81$  mho/m;  $\epsilon_r = 37.8$ ;  $\rho = 1000$  kg/m<sup>3</sup>

Phantom section: Left Section

DASY4 Configuration:

- Probe: EX3DV4 - SN3814; ConvF(7.02, 7.02, 7.02); Calibrated: 22/09/2011

- Sensor-Surface: 4mm (Mechanical Surface Detection)

- Electronics: DAE3 Sn394; Calibrated: 26/01/2012

- Phantom: SAM 12b; Type: SAM 4.0; Serial: TP:1207

- Measurement SW: DASY4, V4.7 Build 55; Postprocessing SW: SEMCAD, V1.8 Build 176

**Tilt Left Antenna Extended Middle/Area Scan (81x141x1):** Measurement grid: dx=15mm, dy=15mm

Maximum value of SAR (interpolated) = 0.130 mW/g

**Tilt Left Antenna Extended Middle/Zoom Scan (5x5x7) 2 (5x5x7)/Cube 0:** Measurement grid: dx=8mm, dy=8mm, dz=5mm

Reference Value = 7.30 V/m; Power Drift = 0.034 dB

Peak SAR (extrapolated) = 0.207 W/kg

**SAR(1 g) = 0.098 mW/g; SAR(10 g) = 0.047 mW/g**

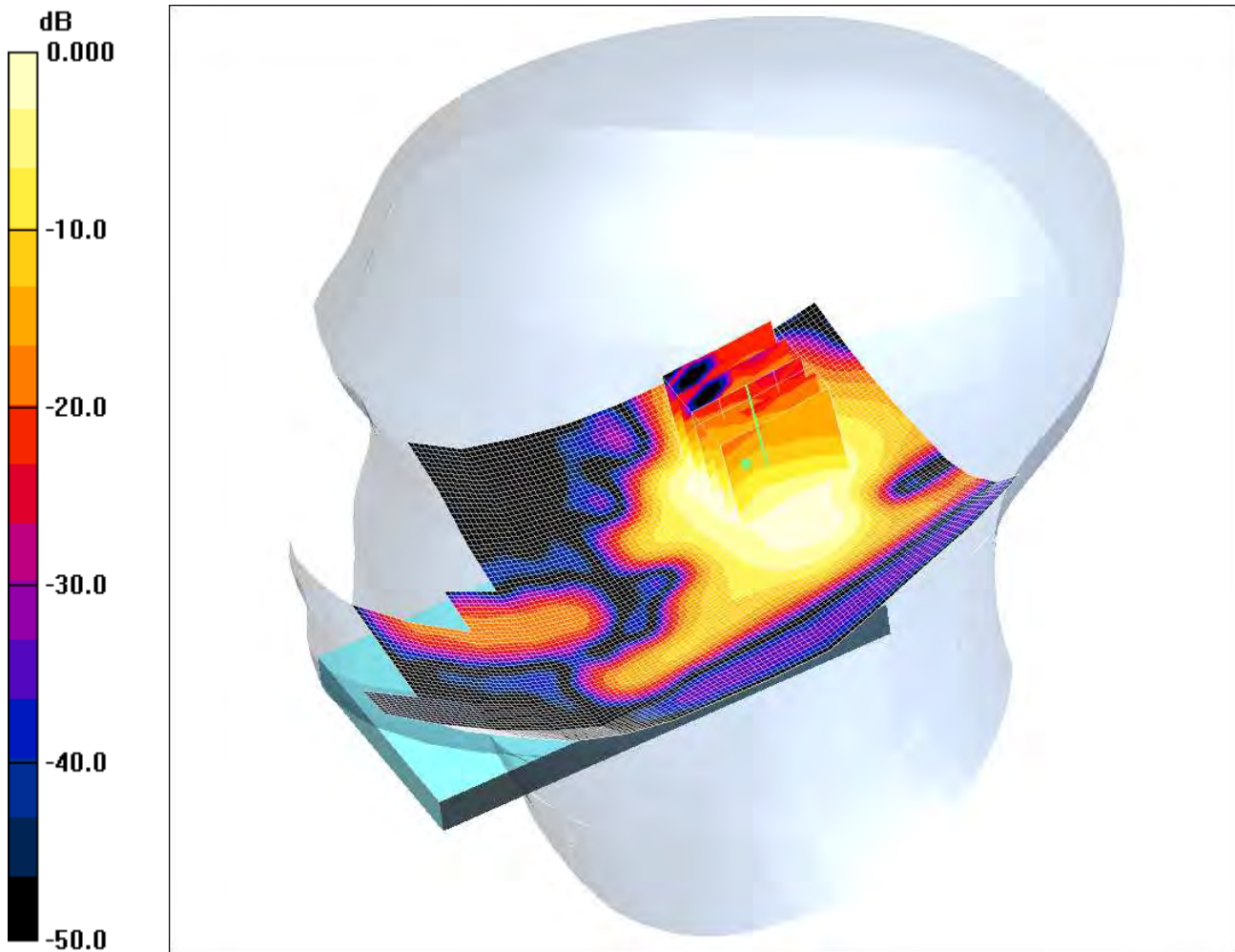
Maximum value of SAR (measured) = 0.104 mW/g



SCN/87471JD03A/067: Touch Right Antenna Retracted WLAN 802.11b 1Mbps CH6

Date 17/05/2012

DUT: Panasonic ; Type: D21BR7; Serial: 351808050018762



0 dB = 0.108mW/g

Communication System: WLAN; Frequency: 2437 MHz; Duty Cycle: 1:1

Medium: 2450 MHz HSL Medium parameters used (interpolated):  $f = 2437$  MHz;  $\sigma = 1.81$  mho/m;  $\epsilon_r = 37.8$ ;  $\rho = 1000$  kg/m<sup>3</sup>

Phantom section: Right Section

DASY4 Configuration:

- Probe: EX3DV4 - SN3814; ConvF(7.02, 7.02, 7.02); Calibrated: 22/09/2011

- Sensor-Surface: 4mm (Mechanical Surface Detection)

- Electronics: DAE3 Sn394; Calibrated: 26/01/2012

- Phantom: SAM 12b; Type: SAM 4.0; Serial: TP:1207

- Measurement SW: DASY4, V4.7 Build 55; Postprocessing SW: SEMCAD, V1.8 Build 176

**Touch Right Antenna Retracted- Middle/Area Scan (81x131x1):** Measurement grid: dx=15mm, dy=15mm

Maximum value of SAR (interpolated) = 0.142 mW/g

**Touch Right Antenna Retracted- Middle/Zoom Scan (5x5x7) (5x5x7)/Cube 0:** Measurement grid: dx=8mm,

dy=8mm, dz=5mm

Reference Value = 6.70 V/m; Power Drift = 0.183 dB

Peak SAR (extrapolated) = 0.213 W/kg

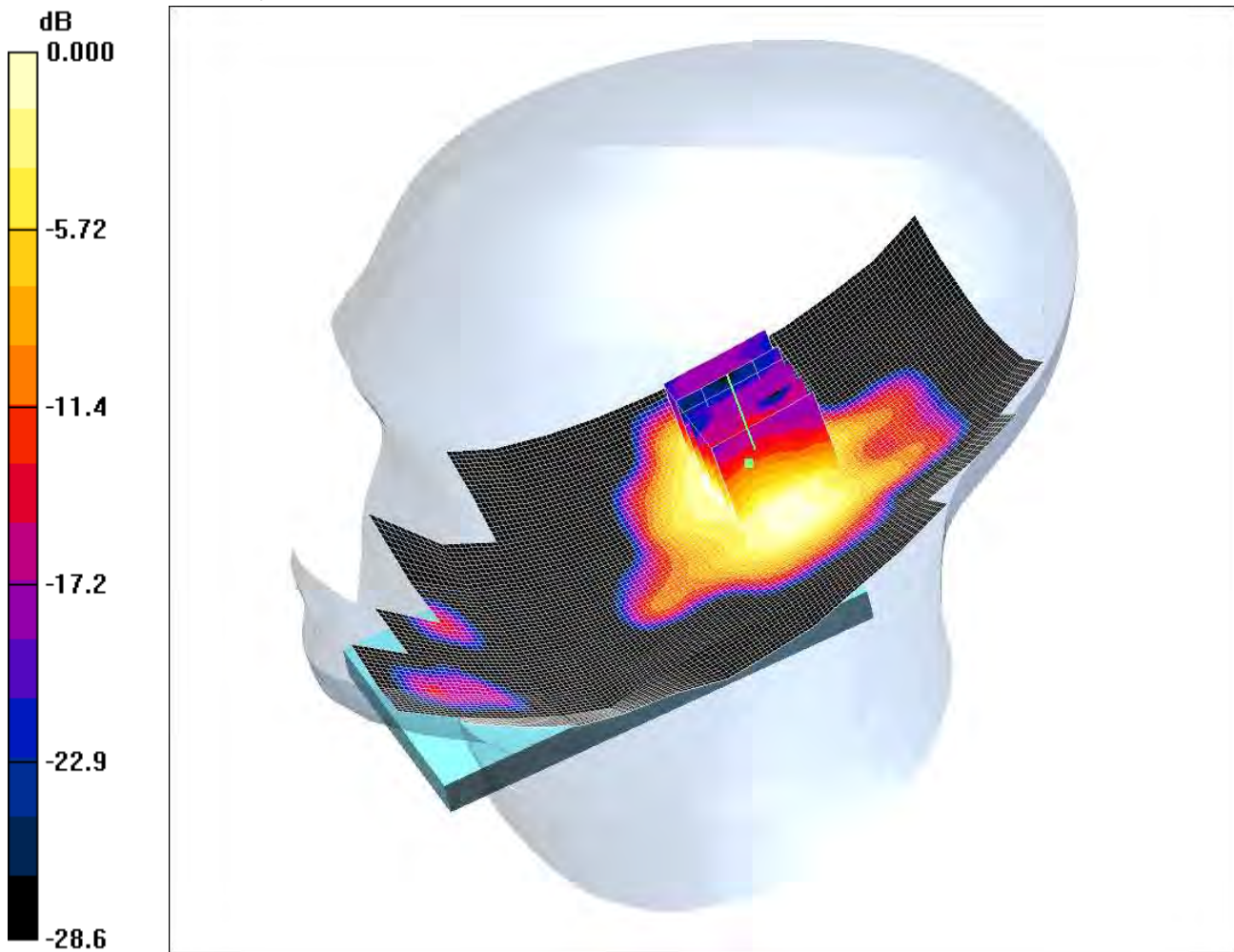
**SAR(1 g) = 0.100 mW/g; SAR(10 g) = 0.048 mW/g**

Maximum value of SAR (measured) = 0.108 mW/g

SCN/87471JD03A/068: Touch Right Antenna Extended WLAN 802.11b 1Mbps CH6

Date 17/05/2012

DUT: Panasonic ; Type: D21BR7; Serial: 351808050018762



0 dB = 0.091mW/g

Communication System: WLAN; Frequency: 2437 MHz; Duty Cycle: 1:1

Medium: 2450 MHz HSL Medium parameters used (interpolated):  $f = 2437$  MHz;  $\sigma = 1.81$  mho/m;  $\epsilon_r = 37.8$ ;  $\rho = 1000$  kg/m<sup>3</sup>

Phantom section: Right Section

DASY4 Configuration:

- Probe: EX3DV4 - SN3814; ConvF(7.02, 7.02, 7.02); Calibrated: 22/09/2011

- Sensor-Surface: 4mm (Mechanical Surface Detection)

- Electronics: DAE3 Sn394; Calibrated: 26/01/2012

- Phantom: SAM 12b; Type: SAM 4.0; Serial: TP:1207

- Measurement SW: DASY4, V4.7 Build 55; Postprocessing SW: SEMCAD, V1.8 Build 176

**Touch Right Antenna Extended - Middle/Area Scan (81x151x1):** Measurement grid: dx=15mm, dy=15mm

Maximum value of SAR (interpolated) = 0.107 mW/g

**Touch Right Antenna Extended - Middle/Zoom Scan (5x5x7) (5x5x7)/Cube 0:** Measurement grid: dx=8mm, dy=8mm, dz=5mm

Reference Value = 6.45 V/m; Power Drift = 0.159 dB

Peak SAR (extrapolated) = 0.191 W/kg

**SAR(1 g) = 0.084 mW/g; SAR(10 g) = 0.040 mW/g**

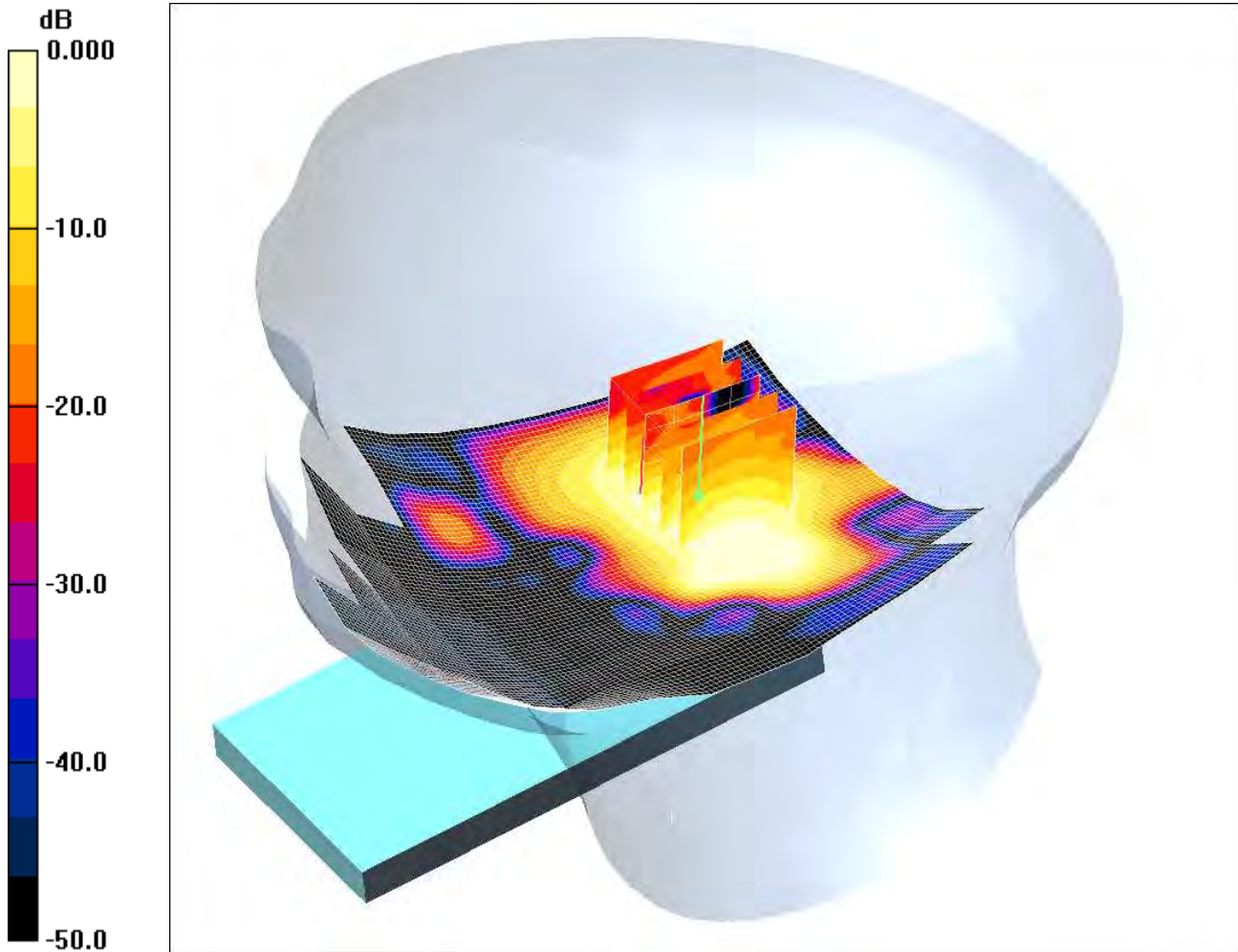
Maximum value of SAR (measured) = 0.091 mW/g



SCN/87471JD03A/069: Tilt Right Antenna Retracted WLAN 802.11b 1Mbps CH6

Date/Time: 17/05/2012 21:52:51

DUT: Panasonic ; Type: D21BR7; Serial: 351808050018762



0 dB = 0.091mW/g

Communication System: WLAN; Frequency: 2437 MHz; Duty Cycle: 1:1

Medium: 2450 MHz HSL Medium parameters used (interpolated):  $f = 2437$  MHz;  $\sigma = 1.81$  mho/m;  $\epsilon_r = 37.8$ ;  $\rho = 1000$  kg/m<sup>3</sup>

Phantom section: Right Section

DASY4 Configuration:

- Probe: EX3DV4 - SN3814; ConvF(7.02, 7.02, 7.02); Calibrated: 22/09/2011

- Sensor-Surface: 4mm (Mechanical Surface Detection)

- Electronics: DAE3 Sn394; Calibrated: 26/01/2012

- Phantom: SAM 12b; Type: SAM 4.0; Serial: TP:1207

- Measurement SW: DASY4, V4.7 Build 55; Postprocessing SW: SEMCAD, V1.8 Build 176

**Tilt Right Antenna Retracted - Middle/Area Scan (81x121x1):** Measurement grid: dx=15mm, dy=15mm

Maximum value of SAR (interpolated) = 0.105 mW/g

**Tilt Right Antenna Retracted - Middle/Zoom Scan (5x5x7) 2 (5x5x7)/Cube 0:** Measurement grid: dx=8mm,

dy=8mm, dz=5mm

Reference Value = 6.35 V/m; Power Drift = 0.089 dB

Peak SAR (extrapolated) = 0.201 W/kg

**SAR(1 g) = 0.084 mW/g; SAR(10 g) = 0.038 mW/g**

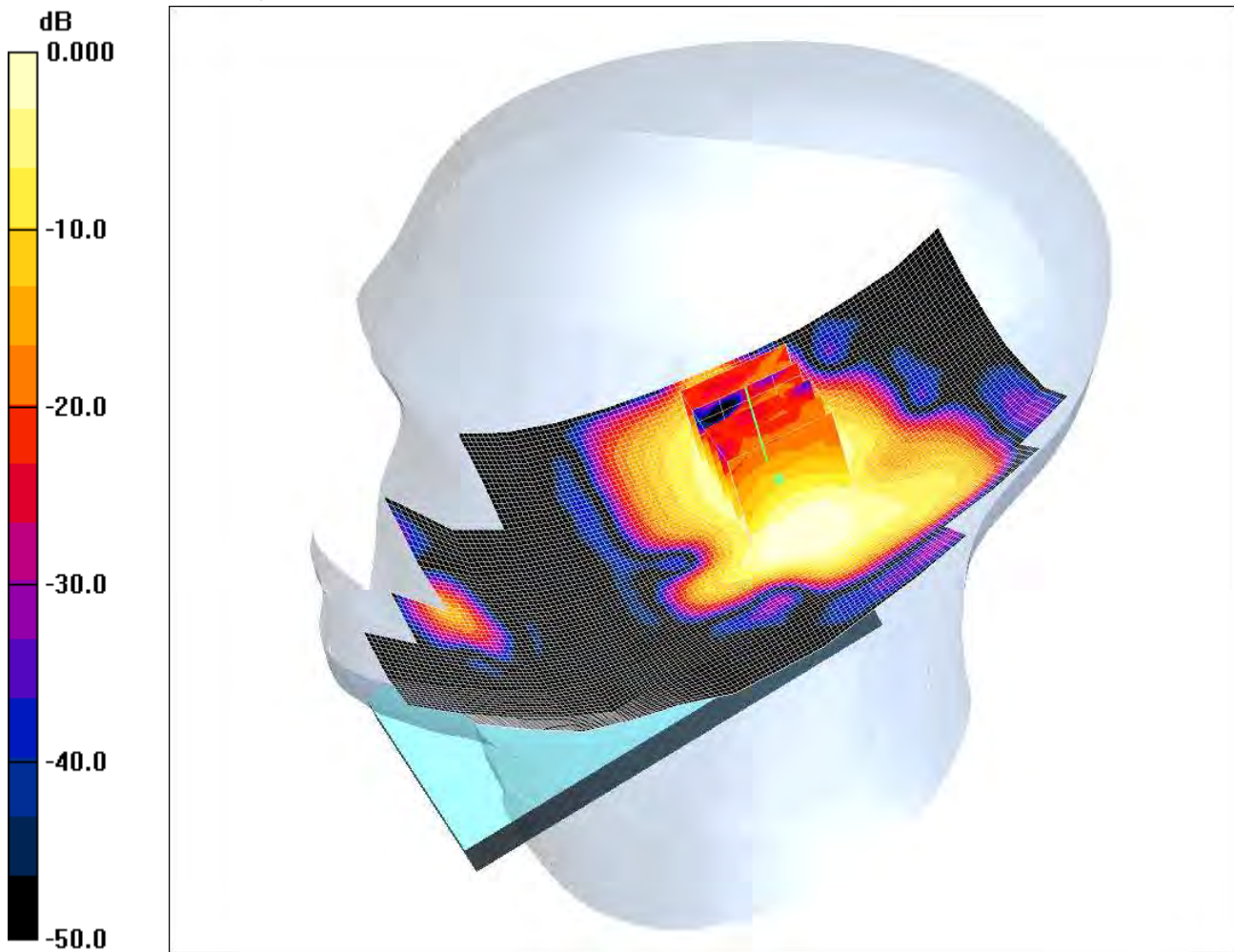
Maximum value of SAR (measured) = 0.091 mW/g

---

 SCN/87471JD03A/070: Tilt Right Antenna Extended WLAN 802.11b 1Mbps CH6

Date 17/05/2012

DUT: Panasonic ; Type: D21BR7; Serial: 351808050018762



0 dB = 0.096mW/g

Communication System: WLAN; Frequency: 2437 MHz; Duty Cycle: 1:1

Medium: 2450 MHz HSL Medium parameters used (interpolated):  $f = 2437$  MHz;  $\sigma = 1.81$  mho/m;  $\epsilon_r = 37.8$ ;  $\rho = 1000$  kg/m<sup>3</sup>

Phantom section: Right Section

DASY4 Configuration:

- Probe: EX3DV4 - SN3814; ConvF(7.02, 7.02, 7.02); Calibrated: 22/09/2011

- Sensor-Surface: 4mm (Mechanical Surface Detection)

- Electronics: DAE3 Sn394; Calibrated: 26/01/2012

- Phantom: SAM 12b; Type: SAM 4.0; Serial: TP:1207

- Measurement SW: DASY4, V4.7 Build 55; Postprocessing SW: SEMCAD, V1.8 Build 176

**Tilt Right Antenna Extended - Middle/Area Scan (81x151x1):** Measurement grid: dx=15mm, dy=15mm

Maximum value of SAR (interpolated) = 0.109 mW/g

**Tilt Right Antenna Extended - Middle/Zoom Scan (5x5x7) 2 (5x5x7)/Cube 0:** Measurement grid: dx=8mm, dy=8mm, dz=5mm

Reference Value = 6.34 V/m; Power Drift = 0.109 dB

Peak SAR (extrapolated) = 0.225 W/kg

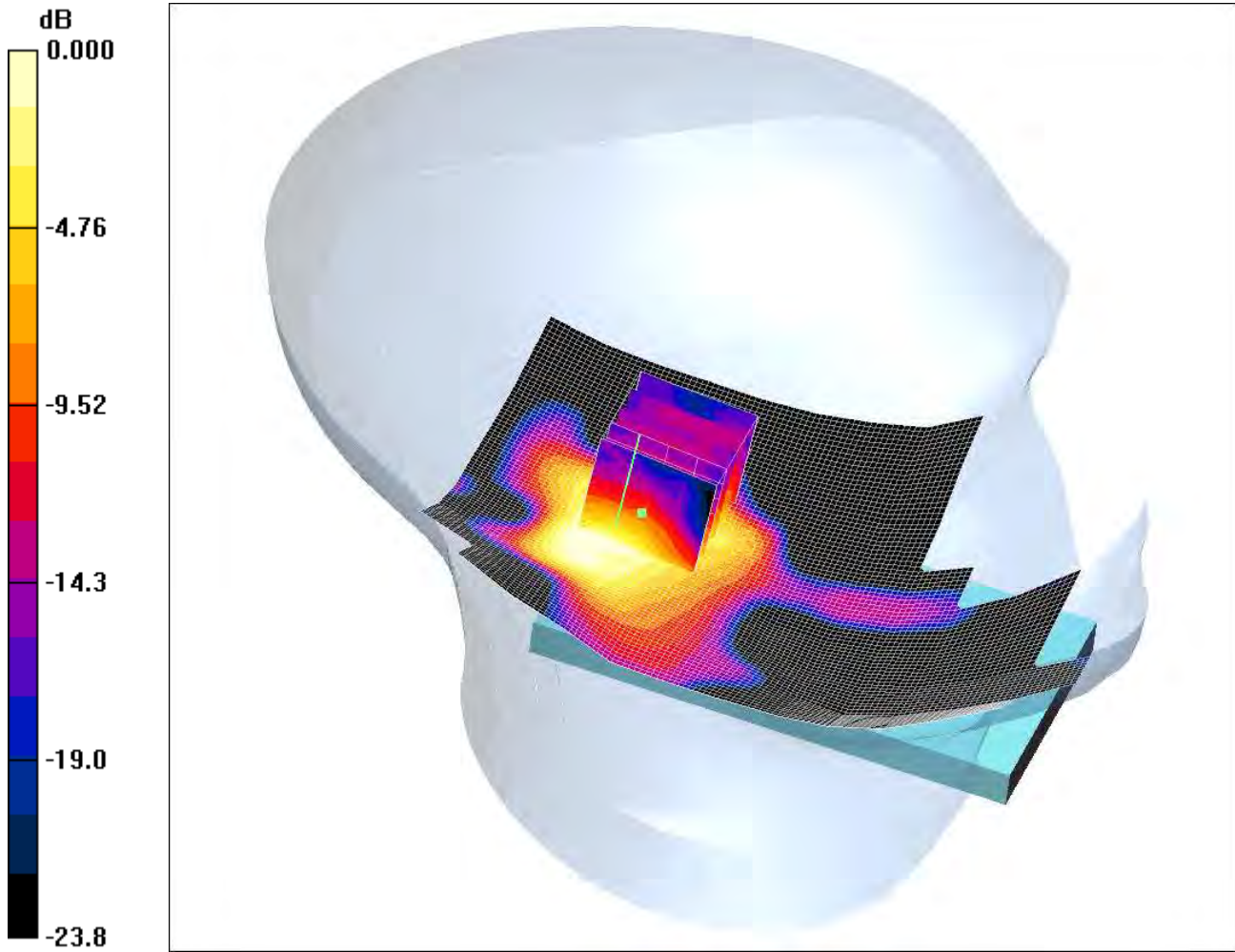
**SAR(1 g) = 0.093 mW/g; SAR(10 g) = 0.041 mW/g**

Maximum value of SAR (measured) = 0.096 mW/g

SCN/87471JD03A/071: Touch Left Antenna Retracted WLAN 802.11g 6Mbps CH6

Date: 17/05/2012

DUT: Panasonic ; Type: D21BR7; Serial: 351808050018762



0 dB = 0.059mW/g

Communication System: WLAN; Frequency: 2437 MHz; Duty Cycle: 1:1

Medium: 2450 MHz HSL Medium parameters used (interpolated):  $f = 2437$  MHz;  $\sigma = 1.81$  mho/m;  $\epsilon_r = 37.8$ ;  $\rho = 1000$  kg/m<sup>3</sup>

Phantom section: Left Section

DASY4 Configuration:

- Probe: EX3DV4 - SN3814; ConvF(7.02, 7.02, 7.02); Calibrated: 22/09/2011

- Sensor-Surface: 4mm (Mechanical Surface Detection)

- Electronics: DAE3 Sn394; Calibrated: 26/01/2012

- Phantom: SAM 12b; Type: SAM 4.0; Serial: TP:1207

- Measurement SW: DASY4, V4.7 Build 55; Postprocessing SW: SEMCAD, V1.8 Build 176

**Touch Left Antenna Retracted- Middle/Area Scan (81x131x1):** Measurement grid: dx=15mm, dy=15mm

Maximum value of SAR (interpolated) = 0.064 mW/g

**Touch Left Antenna Retracted- Middle/Zoom Scan (5x5x7) 2 (5x5x7)/Cube 0:** Measurement grid: dx=8mm,

dy=8mm, dz=5mm

Reference Value = 5.74 V/m; Power Drift = 0.197 dB

Peak SAR (extrapolated) = 0.097 W/kg

**SAR(1 g) = 0.053 mW/g; SAR(10 g) = 0.026 mW/g**

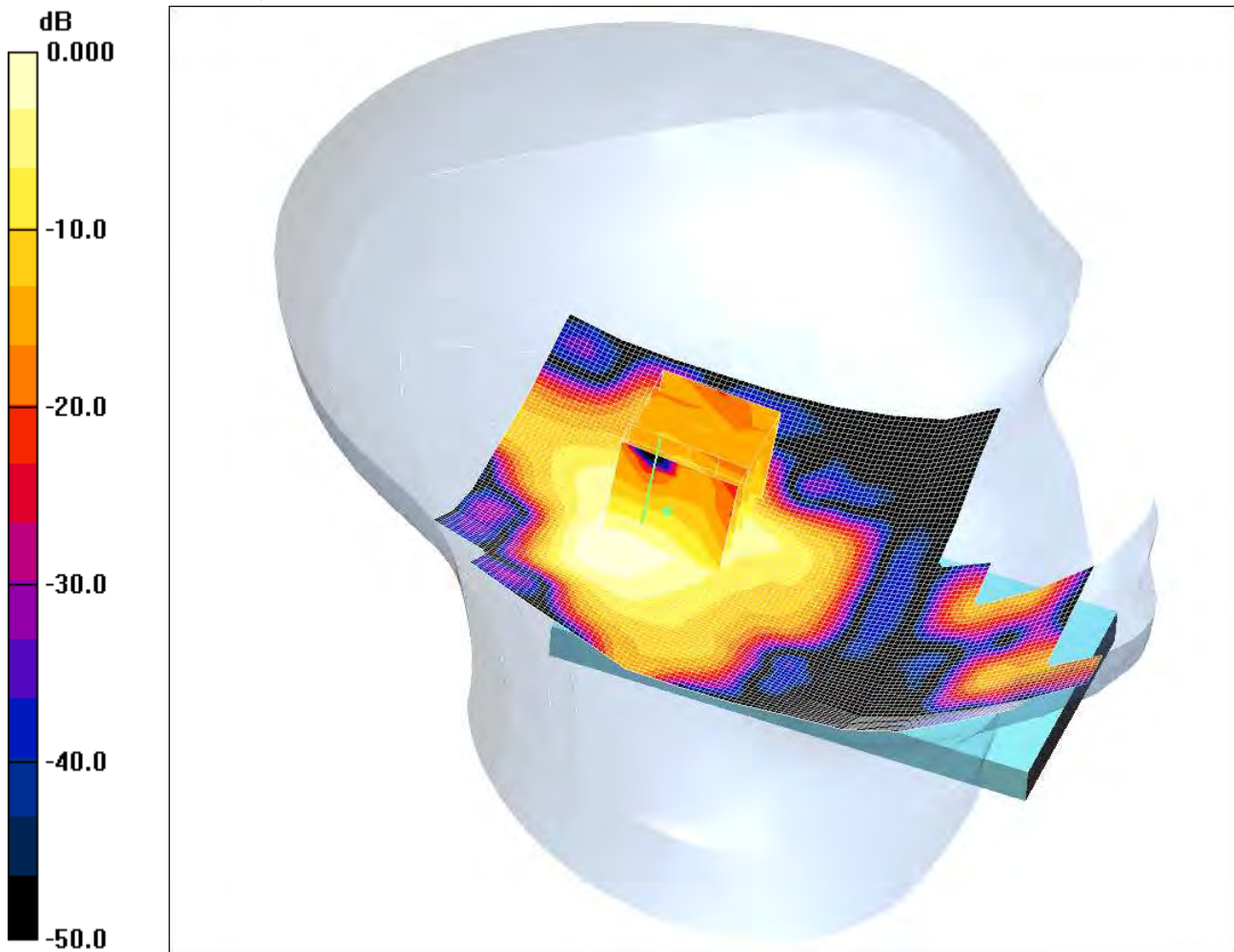
Maximum value of SAR (measured) = 0.059 mW/g



SCN/87471JD03A/072: Touch Left Antenna Retracted WLAN 802.11n 6.5Mbps CH6

Date: 17/05/2012

DUT: Panasonic ; Type: D21BR7; Serial: 351808050018762



0 dB = 0.066mW/g

Communication System: WLAN; Frequency: 2437 MHz; Duty Cycle: 1:1

Medium: 2450 MHz HSL Medium parameters used (interpolated):  $f = 2437$  MHz;  $\sigma = 1.81$  mho/m;  $\epsilon_r = 37.8$ ;  $\rho = 1000$  kg/m<sup>3</sup>

Phantom section: Left Section

DASY4 Configuration:

- Probe: EX3DV4 - SN3814; ConvF(7.02, 7.02, 7.02); Calibrated: 22/09/2011

- Sensor-Surface: 4mm (Mechanical Surface Detection)

- Electronics: DAE3 Sn394; Calibrated: 26/01/2012

- Phantom: SAM 12b; Type: SAM 4.0; Serial: TP:1207

- Measurement SW: DASY4, V4.7 Build 55; Postprocessing SW: SEMCAD, V1.8 Build 176

**Touch Left Antenna Retracted- Middle/Area Scan (81x131x1):** Measurement grid: dx=15mm, dy=15mm

Maximum value of SAR (interpolated) = 0.072 mW/g

**Touch Left Antenna Retracted- Middle/Zoom Scan (5x5x7) 2 (5x5x7)/Cube 0:** Measurement grid: dx=8mm, dy=8mm, dz=5mm

Reference Value = 5.77 V/m; Power Drift = 0.176 dB

Peak SAR (extrapolated) = 0.121 W/kg

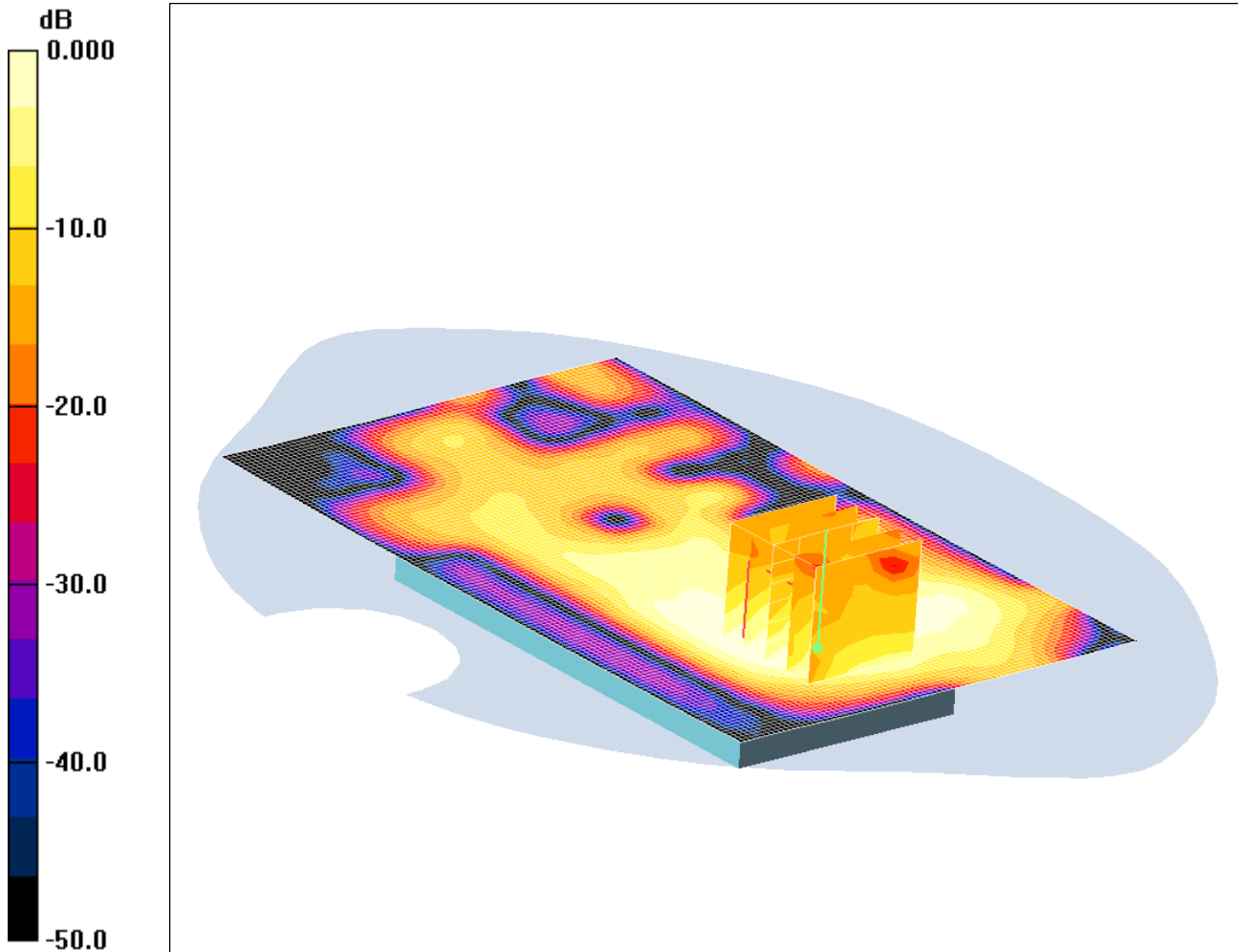
**SAR(1 g) = 0.059 mW/g; SAR(10 g) = 0.029 mW/g**

Maximum value of SAR (measured) = 0.066 mW/g

SCN/87471JD03A/073: EUT Facing Phantom Antenna Retracted WLAN 802.11b 1Mbps CH6

Date: 18/05/2012

DUT: Panasonic ; Type: D21BR7; Serial: 351808050018762



0 dB = 0.034mW/g

Communication System: WLAN; Frequency: 2437 MHz; Duty Cycle: 1:1

Medium: 2450 MHz MSL Medium parameters used (interpolated):  $f = 2437$  MHz;  $\sigma = 2$  mho/m;  $\epsilon_r = 50.4$ ;  $\rho = 1000$  kg/m<sup>3</sup>

Phantom section: Flat Section

DASY4 Configuration:

- Probe: EX3DV4 - SN3814; ConvF(7.15, 7.15, 7.15); Calibrated: 22/09/2011

- Sensor-Surface: 2.5mm (Mechanical Surface Detection)

- Electronics: DAE3 Sn394; Calibrated: 26/01/2012

- Phantom: SAM 12a; Type: SAM 4.0; Serial: TP:1193

- Measurement SW: DASY4, V4.7 Build 55; Postprocessing SW: SEMCAD, V1.8 Build 176

**Touch Left Antenna Retracted- Middle/Area Scan (81x131x1):** Measurement grid: dx=15mm, dy=15mm

Maximum value of SAR (interpolated) = 0.040 mW/g

**Touch Left Antenna Retracted- Middle/Zoom Scan (5x5x7) 2 2 2 (5x5x7)/Cube 0:** Measurement grid:

dx=8mm, dy=8mm, dz=5mm

Reference Value = 3.49 V/m; Power Drift = 0.056 dB

Peak SAR (extrapolated) = 0.054 W/kg

**SAR(1 g) = 0.026 mW/g; SAR(10 g) = 0.014 mW/g**

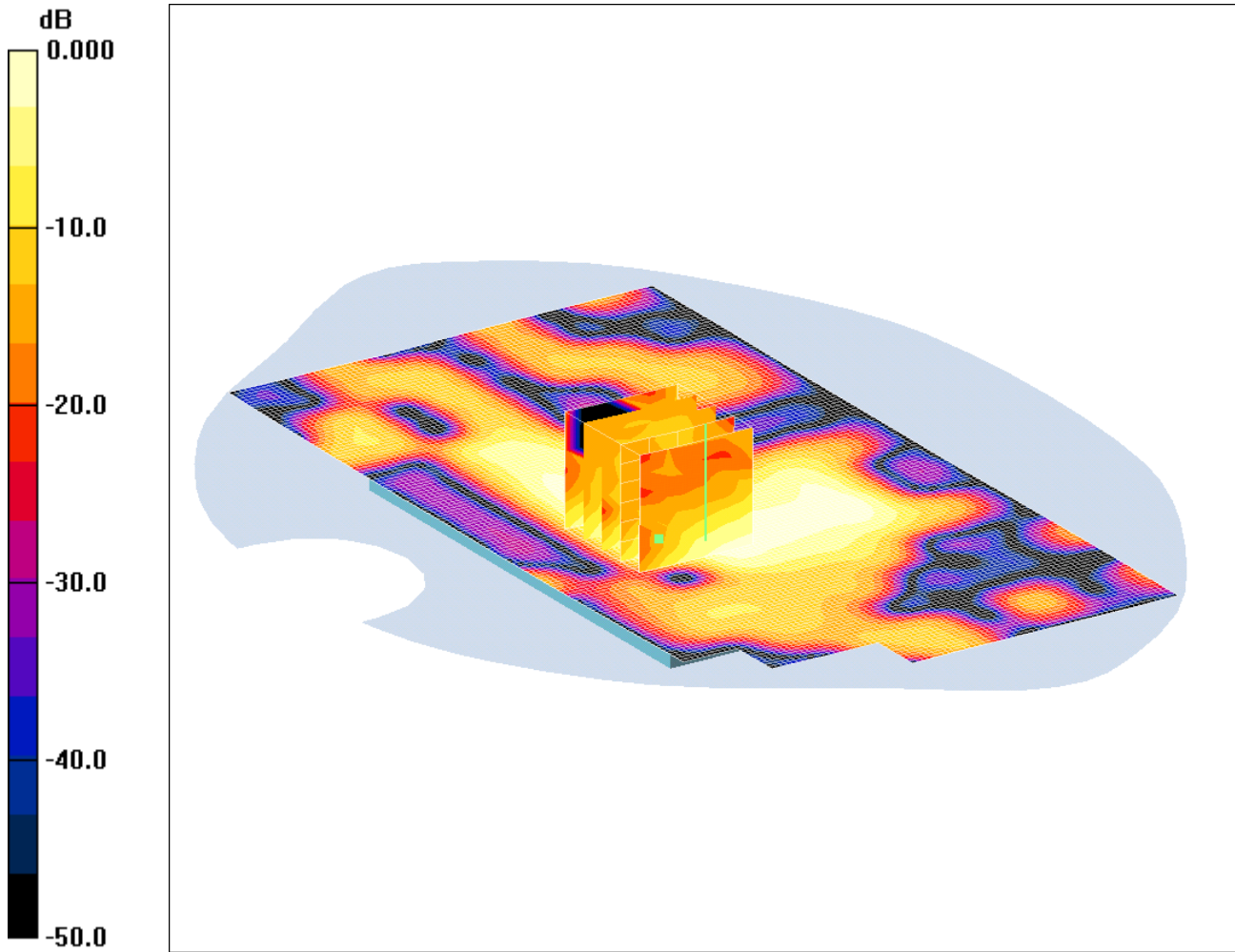
Maximum value of SAR (measured) = 0.034 mW/g



SCN/87471JD03A/074: EUT Facing Phantom Antenna Extended WLAN 802.11b 1Mbps CH6

Date: 18/05/2012

DUT: Panasonic ; Type: D21BR7; Serial: 351808050018762



0 dB = 0.033mW/g

Communication System: WLAN; Frequency: 2437 MHz; Duty Cycle: 1:1

Medium: 2450 MHz MSL Medium parameters used (interpolated):  $f = 2437 \text{ MHz}$ ;  $\sigma = 2 \text{ mho/m}$ ;  $\epsilon_r = 50.4$ ;  $\rho = 1000 \text{ kg/m}^3$

Phantom section: Flat Section

DASY4 Configuration:

- Probe: EX3DV4 - SN3814; ConvF(7.15, 7.15, 7.15); Calibrated: 22/09/2011

- Sensor-Surface: 2.5mm (Mechanical Surface Detection)

- Electronics: DAE3 Sn394; Calibrated: 26/01/2012

- Phantom: SAM 12a; Type: SAM 4.0; Serial: TP:1193

- Measurement SW: DASY4, V4.7 Build 55; Postprocessing SW: SEMCAD, V1.8 Build 176

**Front of EUT Facing Phantom Antenna Retracted- Middle/Area Scan (81x151x1):** Measurement grid:

$dx=15\text{mm}$ ,  $dy=15\text{mm}$

Maximum value of SAR (interpolated) = 0.055 mW/g

**Front of EUT Facing Phantom Antenna Retracted- Middle/Zoom Scan (5x5x7) 2 2 2 (5x5x7)/Cube 0:**

Measurement grid:  $dx=8\text{mm}$ ,  $dy=8\text{mm}$ ,  $dz=5\text{mm}$

Reference Value = 3.68 V/m; Power Drift = 0.114 dB

Peak SAR (extrapolated) = 0.091 W/kg

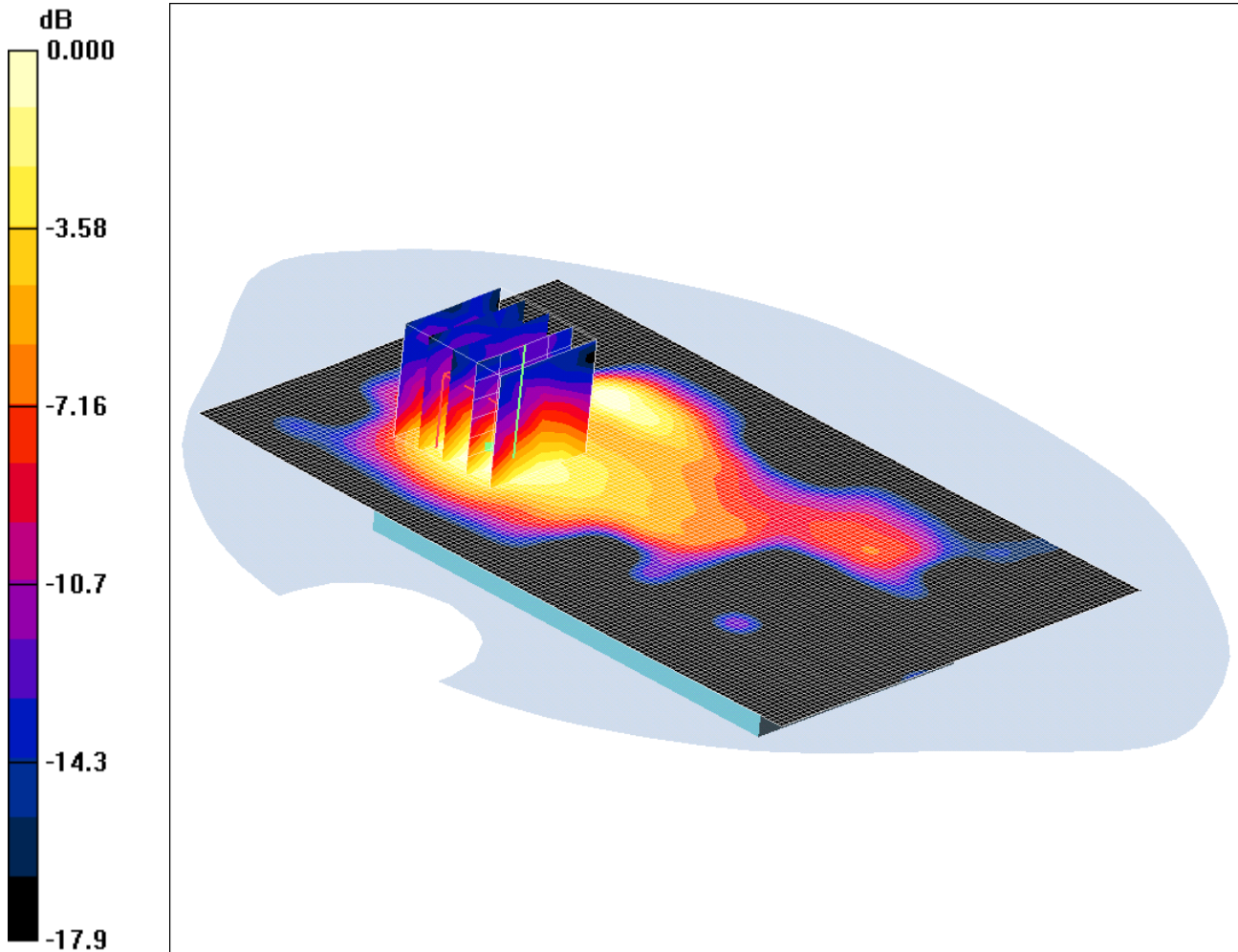
**SAR(1 g) = 0.025 mW/g; SAR(10 g) = 0.012 mW/g**

Maximum value of SAR (measured) = 0.033 mW/g

SCN/87471JD03A/075: Back of EUT Facing Phantom Antenna Retracted WLAN 802.11b 1Mbps CH6

Date: 18/05/2012

DUT: Panasonic ; Type: D21BR7; Serial: 351808050018762



0 dB = 0.040mW/g

Communication System: WLAN; Frequency: 2437 MHz; Duty Cycle: 1:1

Medium: 2450 MHz MSL Medium parameters used (interpolated):  $f = 2437$  MHz;  $\sigma = 2$  mho/m;  $\epsilon_r = 50.4$ ;  $\rho = 1000$  kg/m<sup>3</sup>

Phantom section: Flat Section

DASY4 Configuration:

- Probe: EX3DV4 - SN3814; ConvF(7.15, 7.15, 7.15); Calibrated: 22/09/2011

- Sensor-Surface: 2.5mm (Mechanical Surface Detection)

- Electronics: DAE3 Sn394; Calibrated: 26/01/2012

- Phantom: SAM 12a; Type: SAM 4.0; Serial: TP:1193

- Measurement SW: DASY4, V4.7 Build 55; Postprocessing SW: SEMCAD, V1.8 Build 176

**Back of EUT Facing Phantom Antenna Retracted- Middle/Area Scan (81x131x1):** Measurement grid:

dx=15mm, dy=15mm

Maximum value of SAR (interpolated) = 0.041 mW/g

**Back of EUT Facing Phantom Antenna Retracted- Middle/Zoom Scan (5x5x7) 2 2 2 (5x5x7)/Cube 0:**

Measurement grid: dx=8mm, dy=8mm, dz=5mm

Reference Value = 3.90 V/m; Power Drift = -0.001 dB

Peak SAR (extrapolated) = 0.060 W/kg

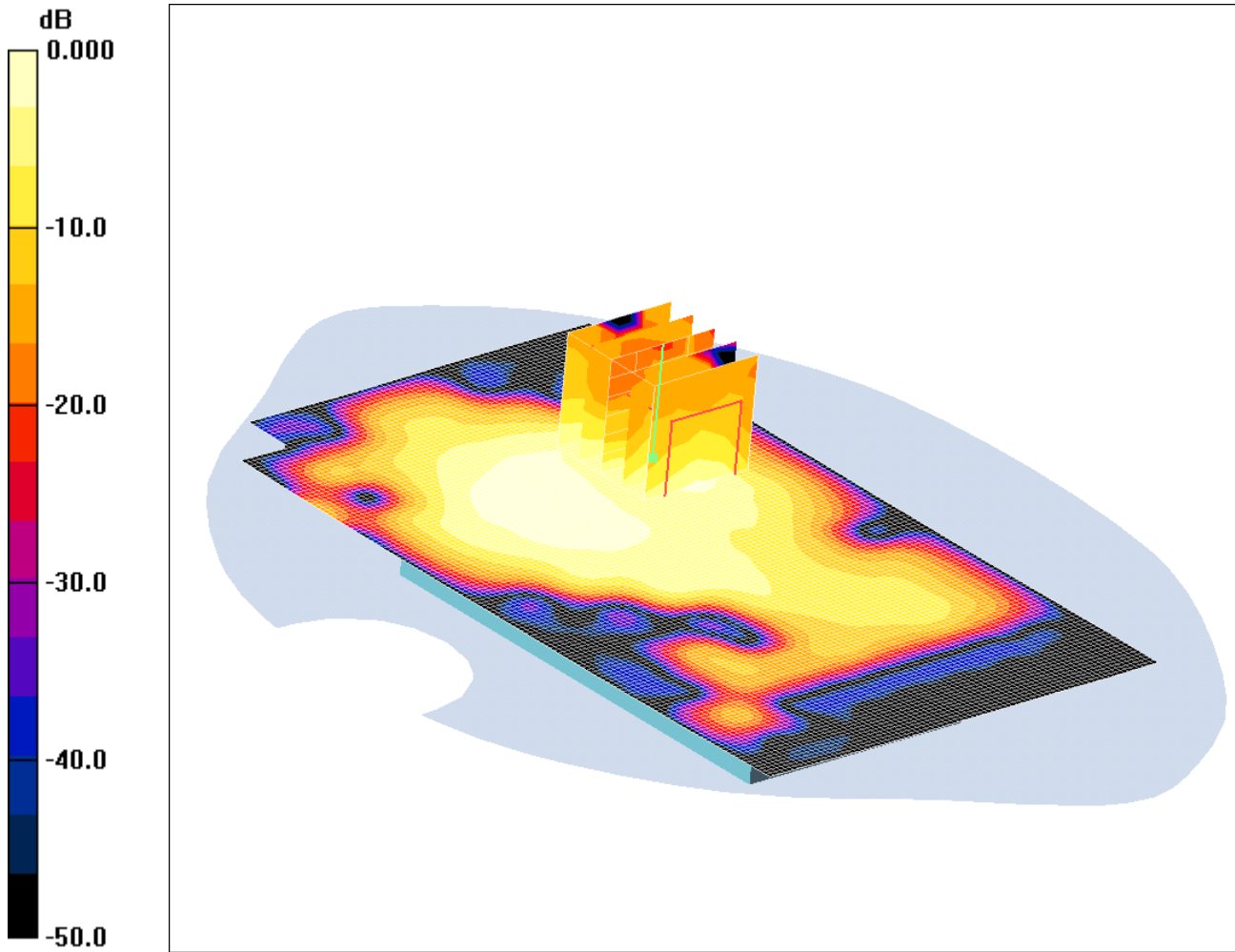
**SAR(1 g) = 0.031 mW/g; SAR(10 g) = 0.016 mW/g**

Maximum value of SAR (measured) = 0.040 mW/g

SCN/87471JD03A/076: Back of EUT Facing Phantom Antenna Extended WLAN 802.11b 1Mbps CH6

Date: 18/05/2012

DUT: Panasonic ; Type: D21BR7; Serial: 351808050018762



0 dB = 0.037mW/g

Communication System: WLAN; Frequency: 2437 MHz; Duty Cycle: 1:1

Medium: 2450 MHz MSL Medium parameters used (interpolated):  $f = 2437 \text{ MHz}$ ;  $\sigma = 2 \text{ mho/m}$ ;  $\epsilon_r = 50.4$ ;  $\rho = 1000 \text{ kg/m}^3$

Phantom section: Flat Section

DASY4 Configuration:

- Probe: EX3DV4 - SN3814; ConvF(7.15, 7.15, 7.15); Calibrated: 22/09/2011

- Sensor-Surface: 2.5mm (Mechanical Surface Detection)

- Electronics: DAE3 Sn394; Calibrated: 26/01/2012

- Phantom: SAM 12a; Type: SAM 4.0; Serial: TP:1193

- Measurement SW: DASY4, V4.7 Build 55; Postprocessing SW: SEMCAD, V1.8 Build 176

**Back of EUT Facing Phantom Antenna Retracted- Middle/Area Scan (81x141x1):** Measurement grid:

$dx=15\text{mm}$ ,  $dy=15\text{mm}$

Maximum value of SAR (interpolated) = 0.041 mW/g

**Back of EUT Facing Phantom Antenna Retracted- Middle/Zoom Scan (5x5x7) 2 2 2 (5x5x7)/Cube 0:**

Measurement grid:  $dx=8\text{mm}$ ,  $dy=8\text{mm}$ ,  $dz=5\text{mm}$

Reference Value = 3.78 V/m; Power Drift = 0.176 dB

Peak SAR (extrapolated) = 0.053 W/kg

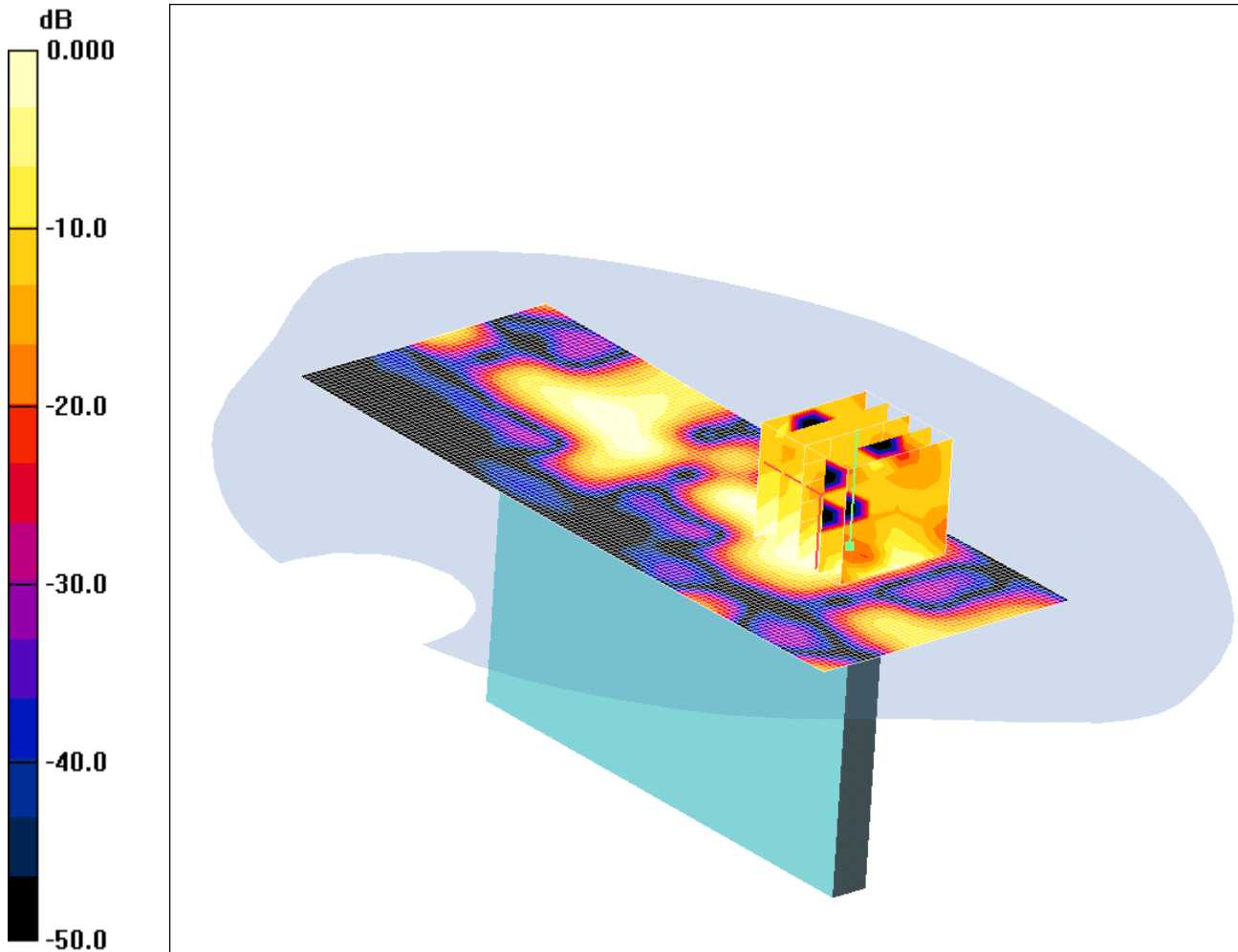
**SAR(1 g) = 0.025 mW/g; SAR(10 g) = 0.00987 mW/g**

Maximum value of SAR (measured) = 0.037 mW/g

SCN/87471JD03A/077: Left Hand Side of EUT Facing Phantom Antenna Retracted WLAN 802.11b 1Mbps CH6

Date: 18/05/2012

DUT: Panasonic ; Type: D21BR7; Serial: 351808050018762



0 dB = 0.014mW/g

Communication System: WLAN; Frequency: 2437 MHz; Duty Cycle: 1:1

Medium: 2450 MHz MSL Medium parameters used (interpolated):  $f = 2437$  MHz;  $\sigma = 2$  mho/m;  $\epsilon_r = 50.4$ ;  $\rho = 1000$  kg/m<sup>3</sup>

Phantom section: Flat Section

DASY4 Configuration:

- Probe: EX3DV4 - SN3814; ConvF(7.15, 7.15, 7.15); Calibrated: 22/09/2011

- Sensor-Surface: 2.5mm (Mechanical Surface Detection)

- Electronics: DAE3 Sn394; Calibrated: 26/01/2012

- Phantom: SAM 12a; Type: SAM 4.0; Serial: TP:1193

- Measurement SW: DASY4, V4.7 Build 55; Postprocessing SW: SEMCAD, V1.8 Build 176

**Left Hand Side of EUT Facing Phantom Antenna Retracted- Middle/Area Scan (51x131x1):** Measurement

grid: dx=15mm, dy=15mm

Maximum value of SAR (interpolated) = 0.030 mW/g

**Left Hand Side of EUT Facing Phantom Antenna Retracted- Middle/Zoom Scan (5x5x7) 2 2 2 2**

**(5x5x7)/Cube 0:** Measurement grid: dx=8mm, dy=8mm, dz=5mm

Reference Value = 2.07 V/m; Power Drift = 0.087 dB

Peak SAR (extrapolated) = 0.038 W/kg

**SAR(1 g) = 0.00943 mW/g; SAR(10 g) = 0.00348 mW/g**

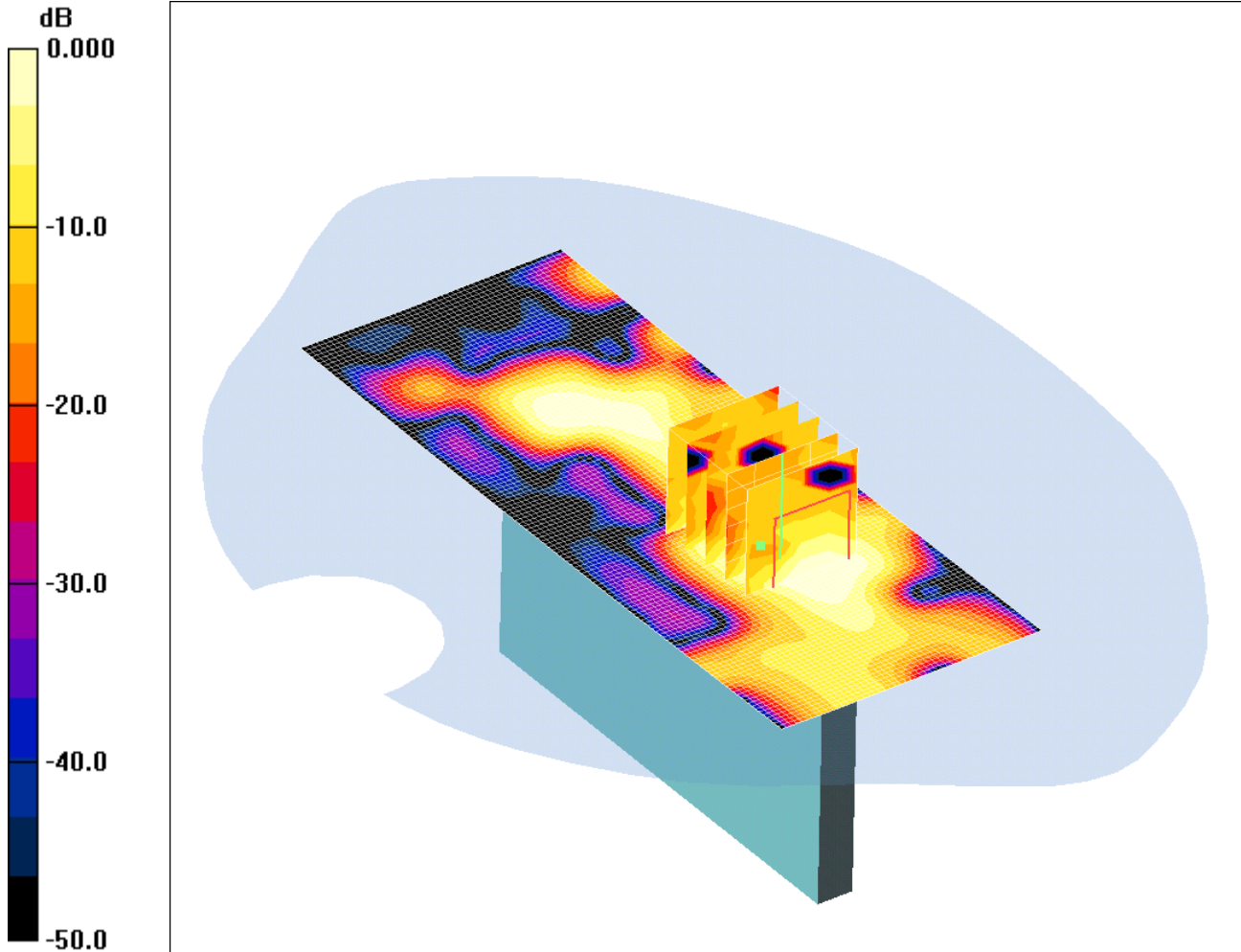
Maximum value of SAR (measured) = 0.014 mW/g



SCN/87471JD03A/078: Left Hand Side of EUT Facing Phantom Antenna Extended WLAN 802.11b 1Mbps CH6

Date/Time: 18/05/2012 16:36:53

DUT: Panasonic ; Type: D21BR7; Serial: 351808050018762



0 dB = 0.019mW/g

Communication System: WLAN; Frequency: 2437 MHz; Duty Cycle: 1:1

Medium: 2450 MHz MSL Medium parameters used (interpolated):  $f = 2437$  MHz;  $\sigma = 2$  mho/m;  $\epsilon_r = 50.4$ ;  $\rho = 1000$  kg/m<sup>3</sup>

Phantom section: Flat Section

DASY4 Configuration:

- Probe: EX3DV4 - SN3814; ConvF(7.15, 7.15, 7.15); Calibrated: 22/09/2011
- Sensor-Surface: 2.5mm (Mechanical Surface Detection)
- Electronics: DAE3 Sn394; Calibrated: 26/01/2012
- Phantom: SAM 12a; Type: SAM 4.0; Serial: TP:1193
- Measurement SW: DASY4, V4.7 Build 55; Postprocessing SW: SEMCAD, V1.8 Build 176

**Left Hand Side of EUT Facing Phantom Antenna Extended Middle/Area Scan (51x131x1):** Measurement grid: dx=15mm, dy=15mm

Maximum value of SAR (interpolated) = 0.027 mW/g

**Left Hand Side of EUT Facing Phantom Antenna Extended Middle/Zoom Scan (5x5x7) 2 2 2 2**

**(5x5x7)/Cube 0:** Measurement grid: dx=8mm, dy=8mm, dz=5mm

Reference Value = 2.45 V/m; Power Drift = 0.067 dB

Peak SAR (extrapolated) = 0.031 W/kg

**SAR(1 g) = 0.014 mW/g; SAR(10 g) = 0.0062 mW/g**

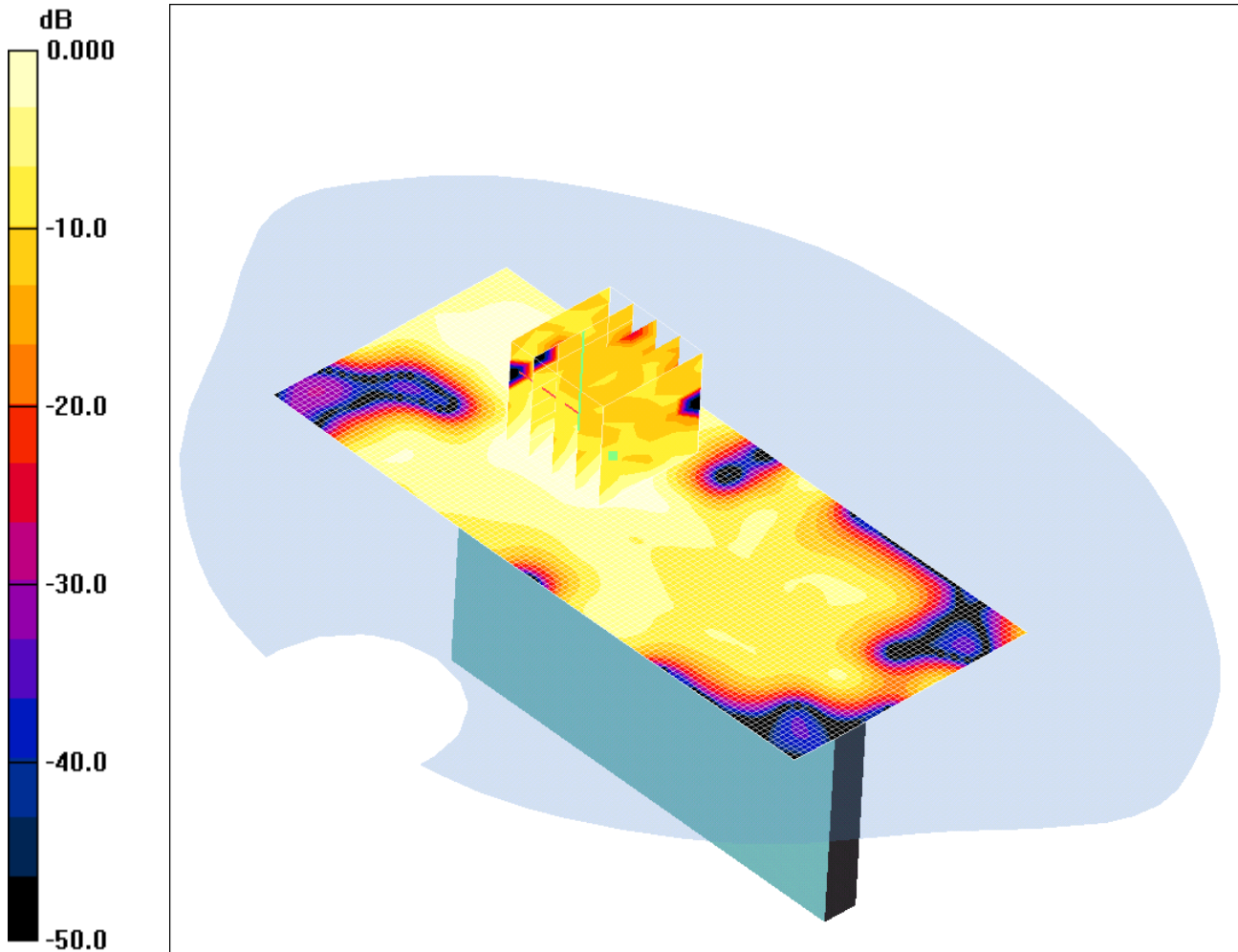
Maximum value of SAR (measured) = 0.019 mW/g



SCN/87471JD03A/079: Right Hand Side of EUT Facing Phantom Antenna Retracted WLAN 802.11b 1Mbps CH6

Date: 19/05/2012

DUT: Panasonic ; Type: D21BR7; Serial: 351808050018762



0 dB = 0.011mW/g

Communication System: WLAN; Frequency: 2437 MHz; Duty Cycle: 1:1

Medium: 2450 MHz MSL Medium parameters used (interpolated):  $f = 2437$  MHz;  $\sigma = 2$  mho/m;  $\epsilon_r = 50.4$ ;  $\rho = 1000$  kg/m<sup>3</sup>

Phantom section: Flat Section

DASY4 Configuration:

- Probe: EX3DV4 - SN3814; ConvF(7.15, 7.15, 7.15); Calibrated: 22/09/2011

- Sensor-Surface: 2.5mm (Mechanical Surface Detection)

- Electronics: DAE3 Sn394; Calibrated: 26/01/2012

- Phantom: SAM 12a; Type: SAM 4.0; Serial: TP:1193

- Measurement SW: DASY4, V4.7 Build 55; Postprocessing SW: SEMCAD, V1.8 Build 176

**Right Hand Side of EUT Facing Phantom Antenna Retracted- Middle/Area Scan (51x121x1):** Measurement

grid: dx=15mm, dy=15mm

Maximum value of SAR (interpolated) = 0.012 mW/g

**Right Hand Side of EUT Facing Phantom Antenna Retracted- Middle/Zoom Scan (5x5x7) 2 2 2 2 2**

**(5x5x7)/Cube 0:** Measurement grid: dx=8mm, dy=8mm, dz=5mm

Reference Value = 2.14 V/m; Power Drift = 0.031 dB

Peak SAR (extrapolated) = 0.022 W/kg

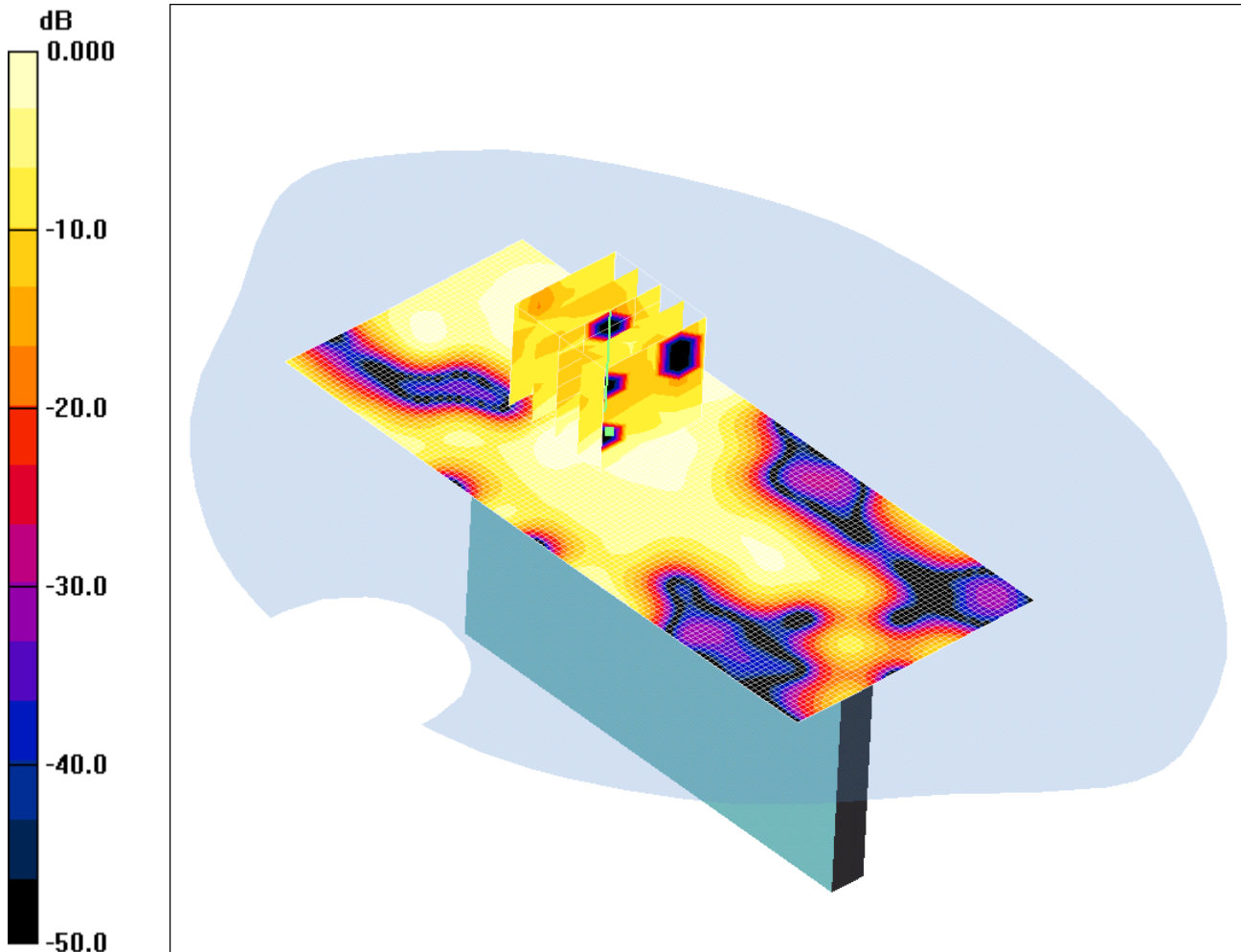
**SAR(1 g) = 0.00818 mW/g; SAR(10 g) = 0.00414 mW/g**

Maximum value of SAR (measured) = 0.011 mW/g

SCN/87471JD03A/080: Right Hand Side of EUT Facing Phantom Antenna Extended WLAN 802.11b 1Mbps  
CH6

Date: 19/05/2012

DUT: Panasonic ; Type: D21BR7; Serial: 351808050018762



0 dB = 0.008mW/g

Communication System: WLAN; Frequency: 2437 MHz; Duty Cycle: 1:1

Medium: 2450 MHz MSL Medium parameters used (interpolated):  $f = 2437$  MHz;  $\sigma = 2$  mho/m;  $\epsilon_r = 50.4$ ;  $\rho = 1000$  kg/m<sup>3</sup>

Phantom section: Flat Section

DASY4 Configuration:

- Probe: EX3DV4 - SN3814; ConvF(7.15, 7.15, 7.15); Calibrated: 22/09/2011

- Sensor-Surface: 2.5mm (Mechanical Surface Detection)

- Electronics: DAE3 Sn394; Calibrated: 26/01/2012

- Phantom: SAM 12a; Type: SAM 4.0; Serial: TP:1193

- Measurement SW: DASY4, V4.7 Build 55; Postprocessing SW: SEMCAD, V1.8 Build 176

**Right Hand Side of EUT Facing Phantom Antenna Extended Middle/Area Scan (51x121x1):** Measurement grid: dx=15mm, dy=15mm

Maximum value of SAR (interpolated) = 0.008 mW/g

**Right Hand Side of EUT Facing Phantom Antenna Extended Middle/Zoom Scan (5x5x7) 2 2 2 2 2 2**

**(5x5x7)/Cube 0:** Measurement grid: dx=8mm, dy=8mm, dz=5mm

Reference Value = 1.86 V/m; Power Drift = 0.062 dB

Peak SAR (extrapolated) = 0.013 W/kg

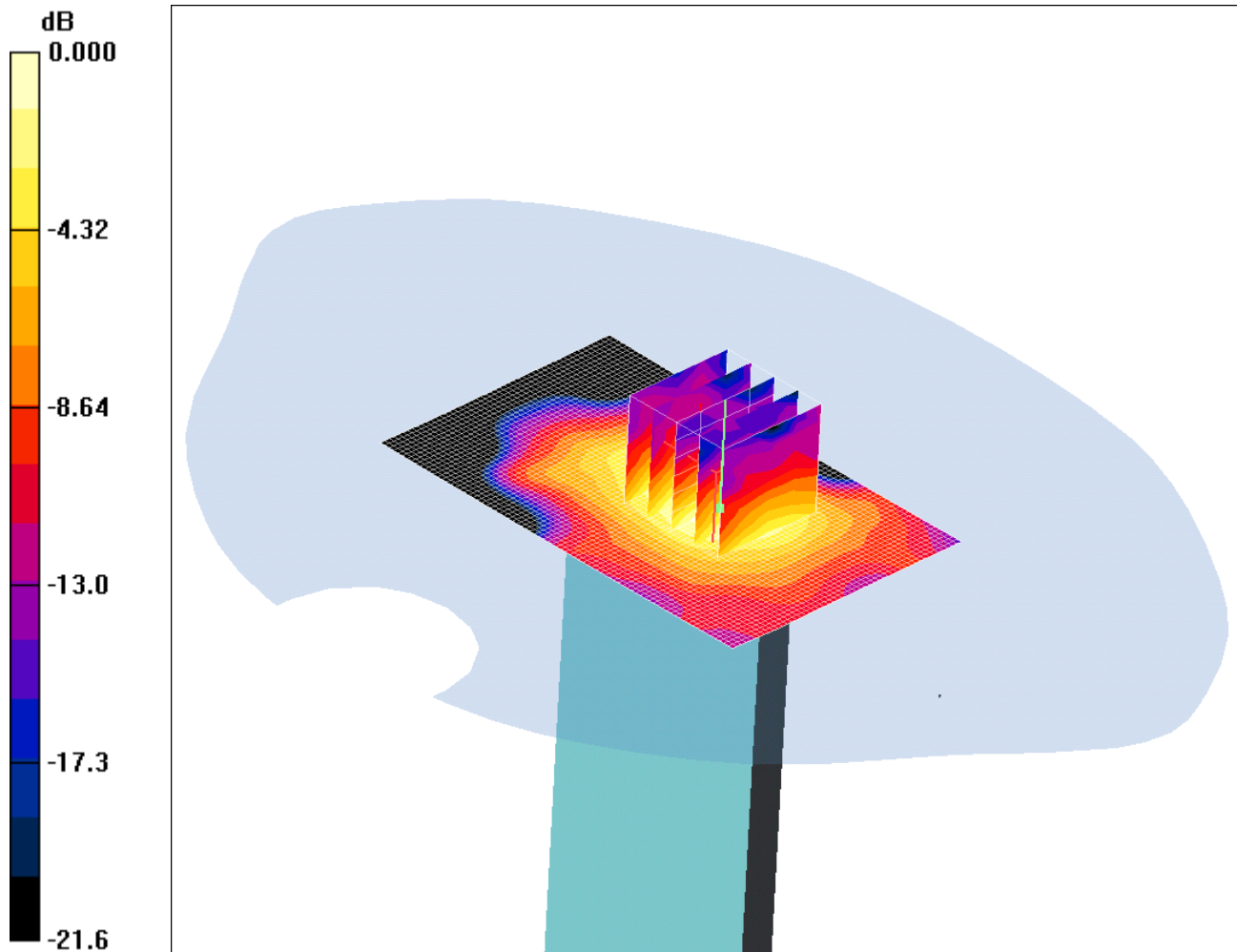
**SAR(1 g) = 0.00507 mW/g; SAR(10 g) = 0.00273 mW/g**

Maximum value of SAR (measured) = 0.008 mW/g

SCN/87471JD03A/081: Top of EUT Facing Phantom Antenna Retracted WLAN 802.11b 1Mbps CH6

Date: 19/05/2012

DUT: Panasonic ; Type: D21BR7; Serial: 351808050018762



0 dB = 0.037mW/g

Communication System: WLAN; Frequency: 2437 MHz; Duty Cycle: 1:1

Medium: 2450 MHz MSL Medium parameters used (interpolated):  $f = 2437$  MHz;  $\sigma = 2$  mho/m;  $\epsilon_r = 50.4$ ;  $\rho = 1000$  kg/m<sup>3</sup>

Phantom section: Flat Section

DASY4 Configuration:

- Probe: EX3DV4 - SN3814; ConvF(7.15, 7.15, 7.15); Calibrated: 22/09/2011

- Sensor-Surface: 2.5mm (Mechanical Surface Detection)

- Electronics: DAE3 Sn394; Calibrated: 26/01/2012

- Phantom: SAM 12a; Type: SAM 4.0; Serial: TP:1193

- Measurement SW: DASY4, V4.7 Build 55; Postprocessing SW: SEMCAD, V1.8 Build 176

**Top of EUT Facing Phantom Antenna Retracted Middle/Area Scan (51x81x1):** Measurement grid: dx=15mm, dy=15mm

Maximum value of SAR (interpolated) = 0.038 mW/g

**Top of EUT Facing Phantom Antenna Retracted Middle/Zoom Scan (5x5x7) (5x5x7)/Cube 0:** Measurement grid: dx=8mm, dy=8mm, dz=5mm

Reference Value = 3.56 V/m; Power Drift = -0.092 dB

Peak SAR (extrapolated) = 0.055 W/kg

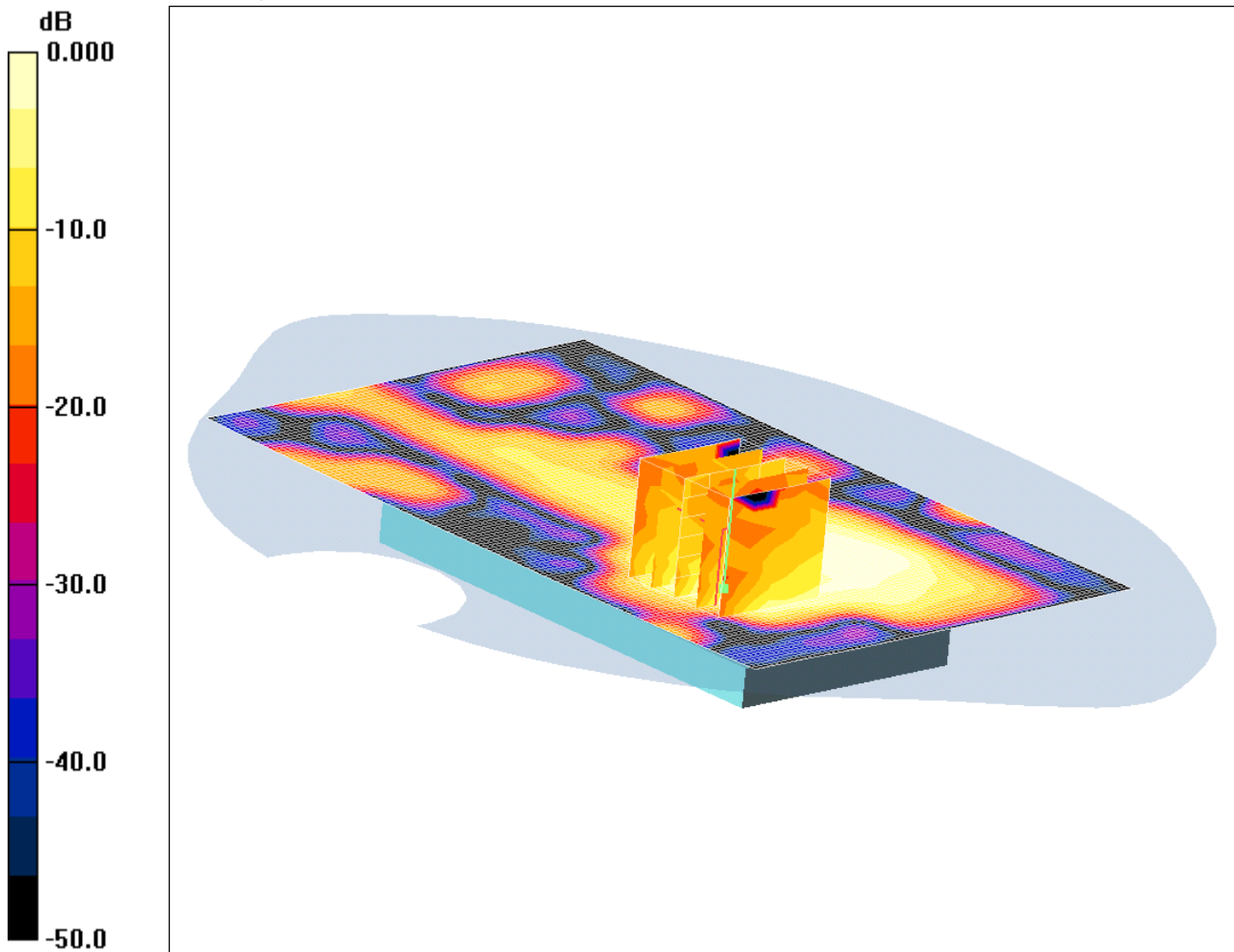
**SAR(1 g) = 0.028 mW/g; SAR(10 g) = 0.015 mW/g**

Maximum value of SAR (measured) = 0.037 mW/g

SCN/87471JD03A/082: Back of EUT Facing Phantom Antenna Retracted WLAN 802.11g 6Mbps CH6

Date: 19/05/2012

DUT: Panasonic ; Type: D21BR7; Serial: 351808050018762



0 dB = 0.030mW/g

Communication System: WLAN; Frequency: 2437 MHz;Duty Cycle: 1:1

Medium: 2450 MHz MSL Medium parameters used (interpolated): f = 2437 MHz;  $\sigma = 2$  mho/m;  $\epsilon_r = 50.4$ ;  $\rho = 1000$  kg/m<sup>3</sup>

Phantom section: Flat Section

DASY4 Configuration:

- Probe: EX3DV4 - SN3814; ConvF(7.15, 7.15, 7.15); Calibrated: 22/09/2011

- Sensor-Surface: 2.5mm (Mechanical Surface Detection)

- Electronics: DAE3 Sn394; Calibrated: 26/01/2012

- Phantom: SAM 12a; Type: SAM 4.0; Serial: TP:1193

- Measurement SW: DASY4, V4.7 Build 55; Postprocessing SW: SEMCAD, V1.8 Build 176

**Back of EUT Facing Phantom Antenna Retracted- Middle/Area Scan (81x131x1):** Measurement grid:

dx=15mm, dy=15mm

Maximum value of SAR (interpolated) = 0.033 mW/g

**Back of EUT Facing Phantom Antenna Retracted- Middle/Zoom Scan (5x5x7) 2 2 2 (5x5x7)/Cube 0:**

Measurement grid: dx=8mm, dy=8mm, dz=5mm

Reference Value = 3.84 V/m; Power Drift = -0.060 dB

Peak SAR (extrapolated) = 0.068 W/kg

**SAR(1 g) = 0.021 mW/g; SAR(10 g) = 0.00782 mW/g**

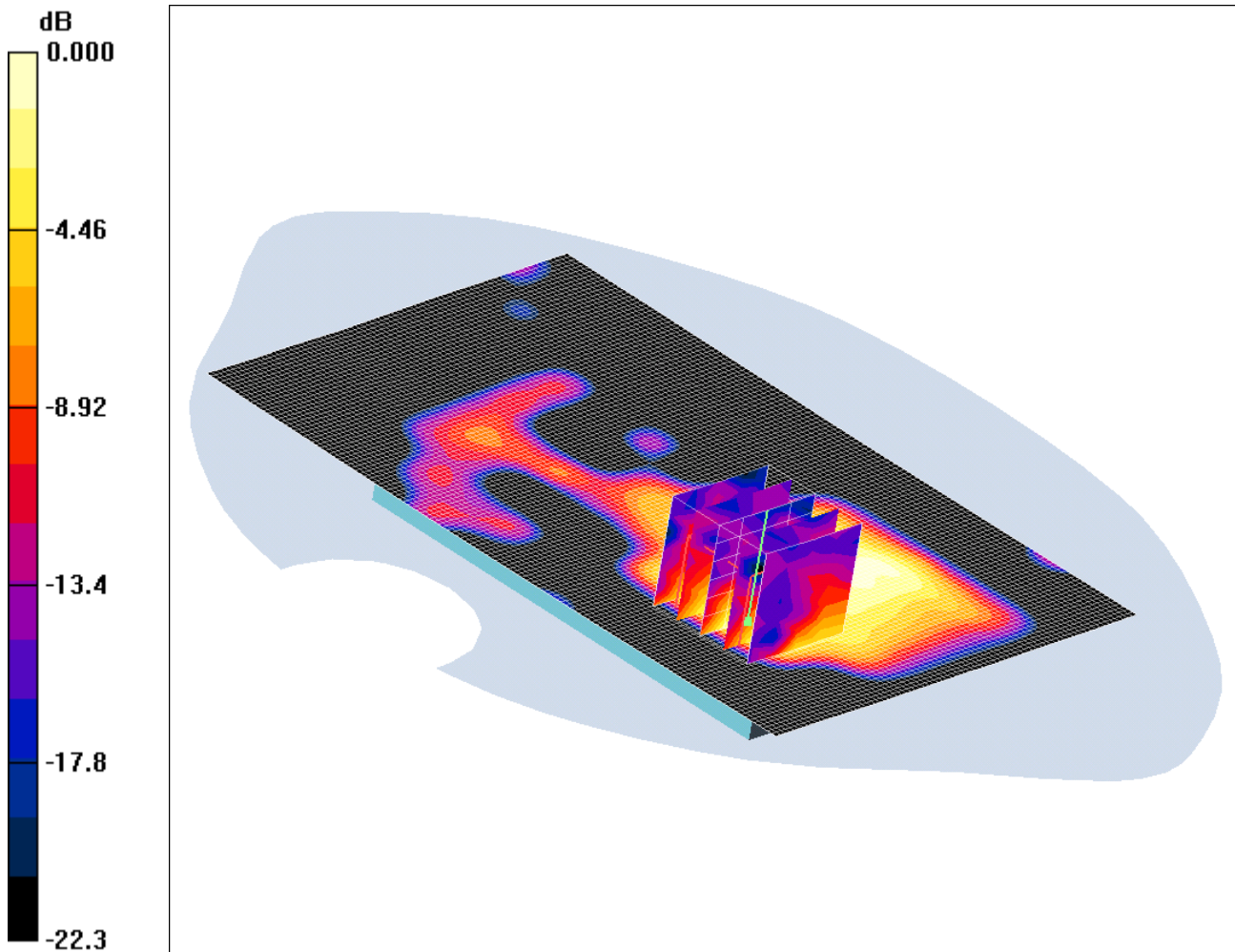
Maximum value of SAR (measured) = 0.030 mW/g



SCN/87471JD03A/083: Back of EUT Facing Phantom Antenna Retracted WLAN 802.11n 6.5Mbps CH6

Date: 19/05/2012

DUT: Panasonic ; Type: D21BR7; Serial: 351808050018762



0 dB = 0.026mW/g

Communication System: WLAN; Frequency: 2437 MHz;Duty Cycle: 1:1

Medium: 2450 MHz MSL Medium parameters used (interpolated):  $f = 2437$  MHz;  $\sigma = 2$  mho/m;  $\epsilon_r = 50.4$ ;  $\rho = 1000$  kg/m<sup>3</sup>

Phantom section: Flat Section

DASY4 Configuration:

- Probe: EX3DV4 - SN3814; ConvF(7.15, 7.15, 7.15); Calibrated: 22/09/2011

- Sensor-Surface: 2.5mm (Mechanical Surface Detection)

- Electronics: DAE3 Sn394; Calibrated: 26/01/2012

- Phantom: SAM 12a; Type: SAM 4.0; Serial: TP:1193

- Measurement SW: DASY4, V4.7 Build 55; Postprocessing SW: SEMCAD, V1.8 Build 176

**Back of EUT Facing Phantom Antenna Retracted- Middle/Area Scan (81x131x1):** Measurement grid:

dx=15mm, dy=15mm

Maximum value of SAR (interpolated) = 0.038 mW/g

**Back of EUT Facing Phantom Antenna Retracted- Middle/Zoom Scan (5x5x7) 2 2 2 (5x5x7)/Cube 0:**

Measurement grid: dx=8mm, dy=8mm, dz=5mm

Reference Value = 3.65 V/m; Power Drift = -0.166 dB

Peak SAR (extrapolated) = 0.044 W/kg

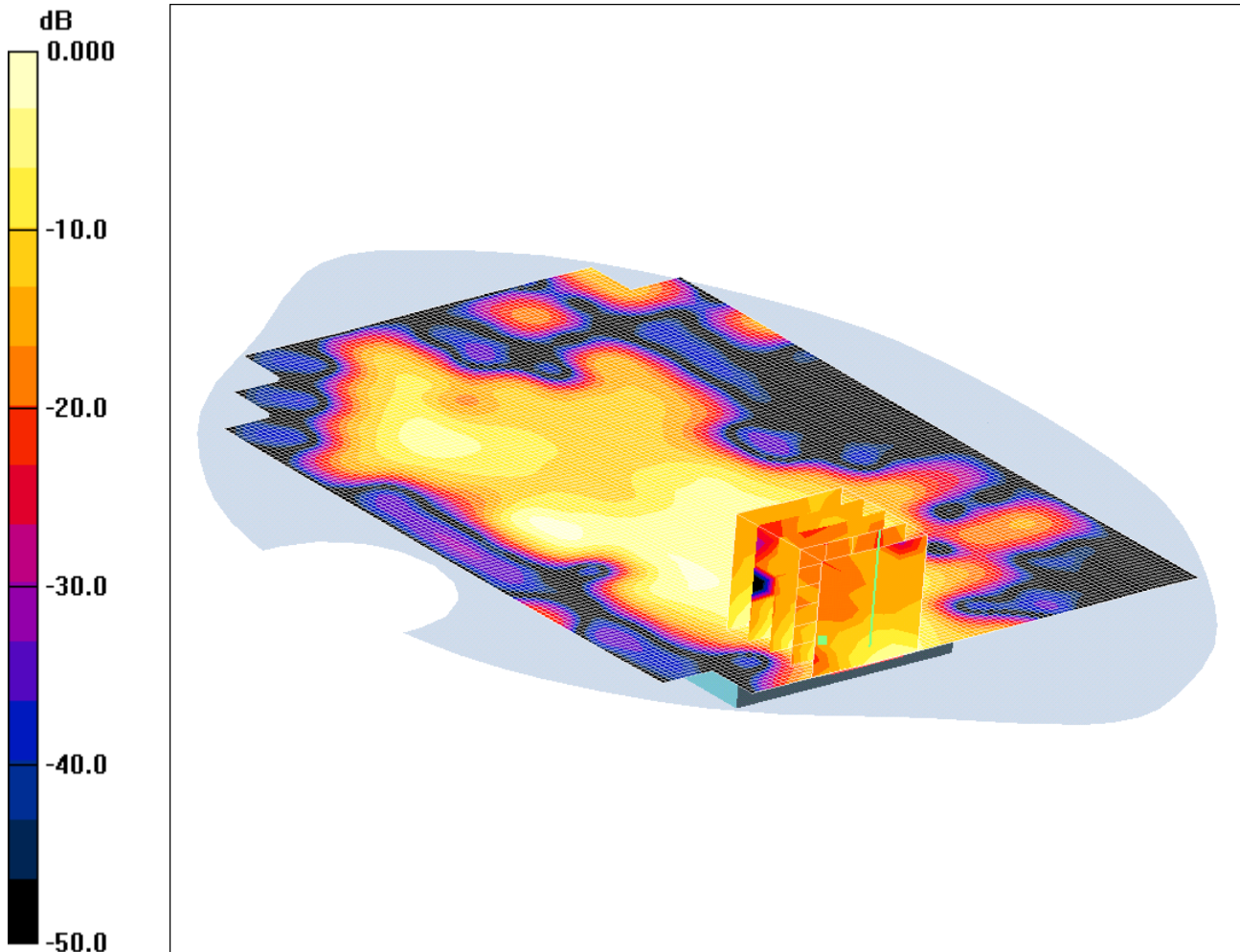
**SAR(1 g) = 0.018 mW/g; SAR(10 g) = 0.00644 mW/g**

Maximum value of SAR (measured) = 0.026 mW/g

SCN/87471JD03A/084: Back of EUT Facing Phantom with PHF Antenna Retracted WLAN 802.11b 1Mbps  
CH6

Date: 19/05/2012

DUT: Panasonic ; Type: D21BR7; Serial: 351808050018762



0 dB = 0.045mW/g

Communication System: WLAN; Frequency: 2437 MHz; Duty Cycle: 1:1

Medium: 2450 MHz MSL Medium parameters used (interpolated):  $f = 2437$  MHz;  $\sigma = 2$  mho/m;  $\epsilon_r = 50.4$ ;  $\rho = 1000$  kg/m<sup>3</sup>

Phantom section: Flat Section

DASY4 Configuration:

- Probe: EX3DV4 - SN3814; ConvF(7.15, 7.15, 7.15); Calibrated: 22/09/2011

- Sensor-Surface: 2.5mm (Mechanical Surface Detection)

- Electronics: DAE3 Sn394; Calibrated: 26/01/2012

- Phantom: SAM 12a; Type: SAM 4.0; Serial: TP:1193

- Measurement SW: DASY4, V4.7 Build 55; Postprocessing SW: SEMCAD, V1.8 Build 176

**Back of EUT Facing Phantom with PHF Antenna Retracted- Middle/Area Scan (101x141x1):** Measurement grid: dx=15mm, dy=15mm

Maximum value of SAR (interpolated) = 0.062 mW/g

**Back of EUT Facing Phantom with PHF Antenna Retracted- Middle/Zoom Scan (5x5x7) 2 2 2**

**(5x5x7)/Cube 0:** Measurement grid: dx=8mm, dy=8mm, dz=5mm

Reference Value = 3.83 V/m; Power Drift = 0.005 dB

Peak SAR (extrapolated) = 0.083 W/kg

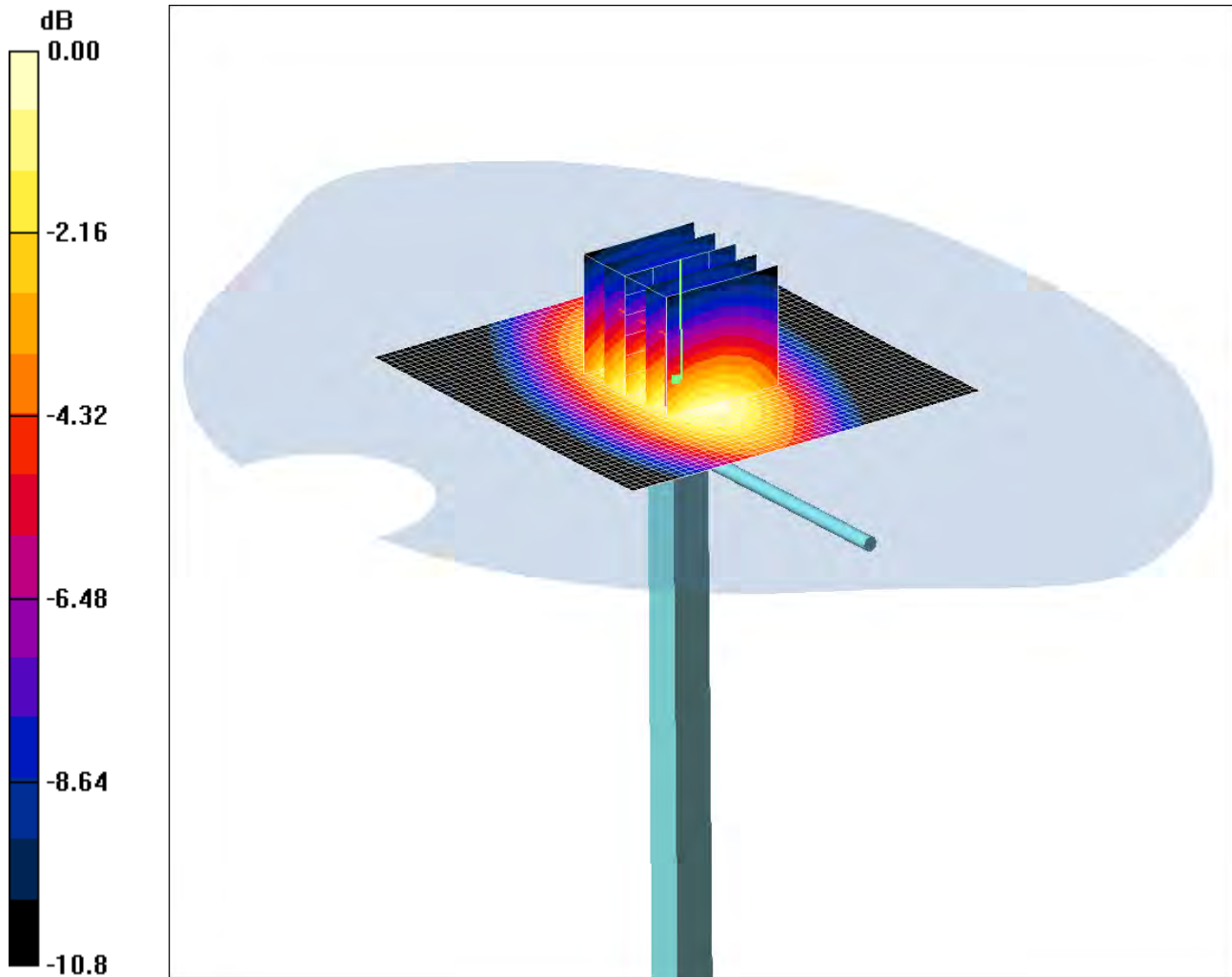
**SAR(1 g) = 0.033 mW/g; SAR(10 g) = 0.014 mW/g**

Maximum value of SAR (measured) = 0.045 mW/g

SCN/87471JD03A/085: System Performance Check 900MHz Head 15 05 12

Date: 15/05/2012

DUT: Dipole 900 MHz; SN: 124; Type: D900V2; Serial: SN124



0 dB = 2.91mW/g

Communication System: CW; Frequency: 900 MHz; Duty Cycle: 1:1

Medium: 900 MHz HSL Medium parameters used:  $f = 900 \text{ MHz}$ ;  $\sigma = 0.939 \text{ mho/m}$ ;  $\epsilon_r = 43.1$ ;  $\rho = 1000 \text{ kg/m}^3$

Phantom section: Flat Section

DASY4 Configuration:

- Probe: ET3DV6 - SN1528; ConvF(5.85, 5.85, 5.85); Calibrated: 18/07/2011

- Sensor-Surface: 4mm (Mechanical Surface Detection)

- Electronics: DAE3 Sn432; Calibrated: 02/05/2012

- Phantom: SAM 12a (Site 57); Type: SAM 4.0; Serial: TP:1020

- Measurement SW: DASY4, V4.5 Build 19; Postprocessing SW: SEMCAD, V1.8 Build 145

**d=15mm, Pin=250mW/Area Scan (51x51x1):** Measurement grid: dx=20mm, dy=20mm

Maximum value of SAR (interpolated) = 3.04 mW/g

**d=15mm, Pin=250mW/Zoom Scan (5x5x7) (5x5x7)/Cube 0:** Measurement grid: dx=8mm, dy=8mm, dz=5mm

Reference Value = 58.6 V/m; Power Drift = -0.052 dB

Peak SAR (extrapolated) = 3.81 W/kg

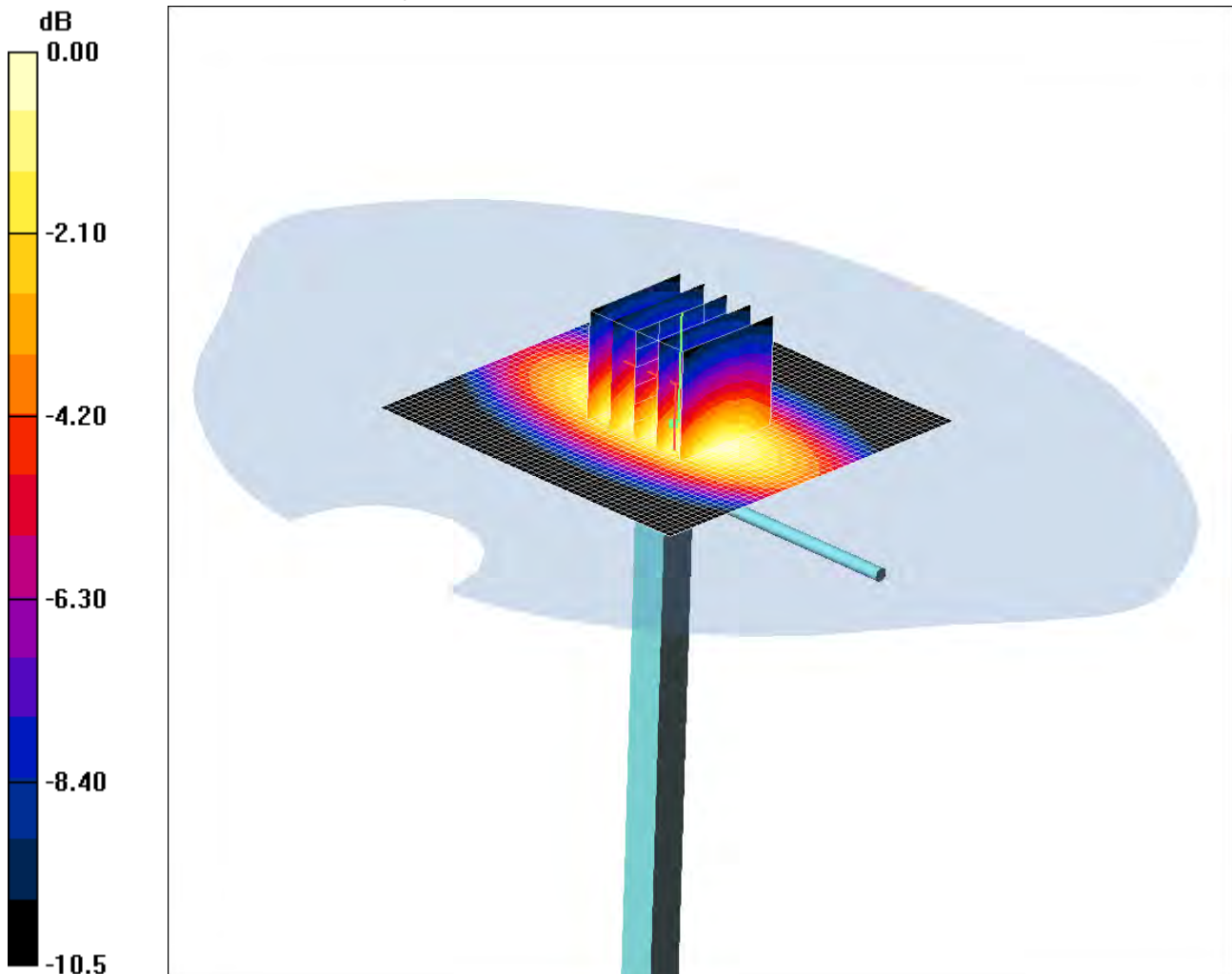
**SAR(1 g) = 2.7 mW/g; SAR(10 g) = 1.78 mW/g**

Maximum value of SAR (measured) = 2.91 mW/g

SCN/87471JD03A/086: System Performance Check 900MHz Head 16 05 12

Date: 16/05/2012

DUT: Dipole 900 MHz; SN: 124; Type: D900V2; Serial: SN124



0 dB = 2.90mW/g

Communication System: CW; Frequency: 900 MHz; Duty Cycle: 1:1

Medium: 900 MHz HSL Medium parameters used:  $f = 900 \text{ MHz}$ ;  $\sigma = 0.939 \text{ mho/m}$ ;  $\epsilon_r = 43.1$ ;  $\rho = 1000 \text{ kg/m}^3$

Phantom section: Flat Section

DASY4 Configuration:

- Probe: ET3DV6 - SN1528; ConvF(5.85, 5.85, 5.85); Calibrated: 18/07/2011

- Sensor-Surface: 4mm (Mechanical Surface Detection)

- Electronics: DAE3 Sn432; Calibrated: 02/05/2012

- Phantom: SAM 12a (Site 57); Type: SAM 4.0; Serial: TP:1020

- Measurement SW: DASY4, V4.5 Build 19; Postprocessing SW: SEMCAD, V1.8 Build 145

**d=15mm, Pin=250mW/Area Scan (51x51x1):** Measurement grid: dx=20mm, dy=20mm

Maximum value of SAR (interpolated) = 2.94 mW/g

**d=15mm, Pin=250mW/Zoom Scan (5x5x7) (5x5x7)/Cube 0:** Measurement grid: dx=8mm, dy=8mm, dz=5mm

Reference Value = 57.3 V/m; Power Drift = 0.081 dB

Peak SAR (extrapolated) = 3.76 W/kg

**SAR(1 g) = 2.69 mW/g; SAR(10 g) = 1.78 mW/g**

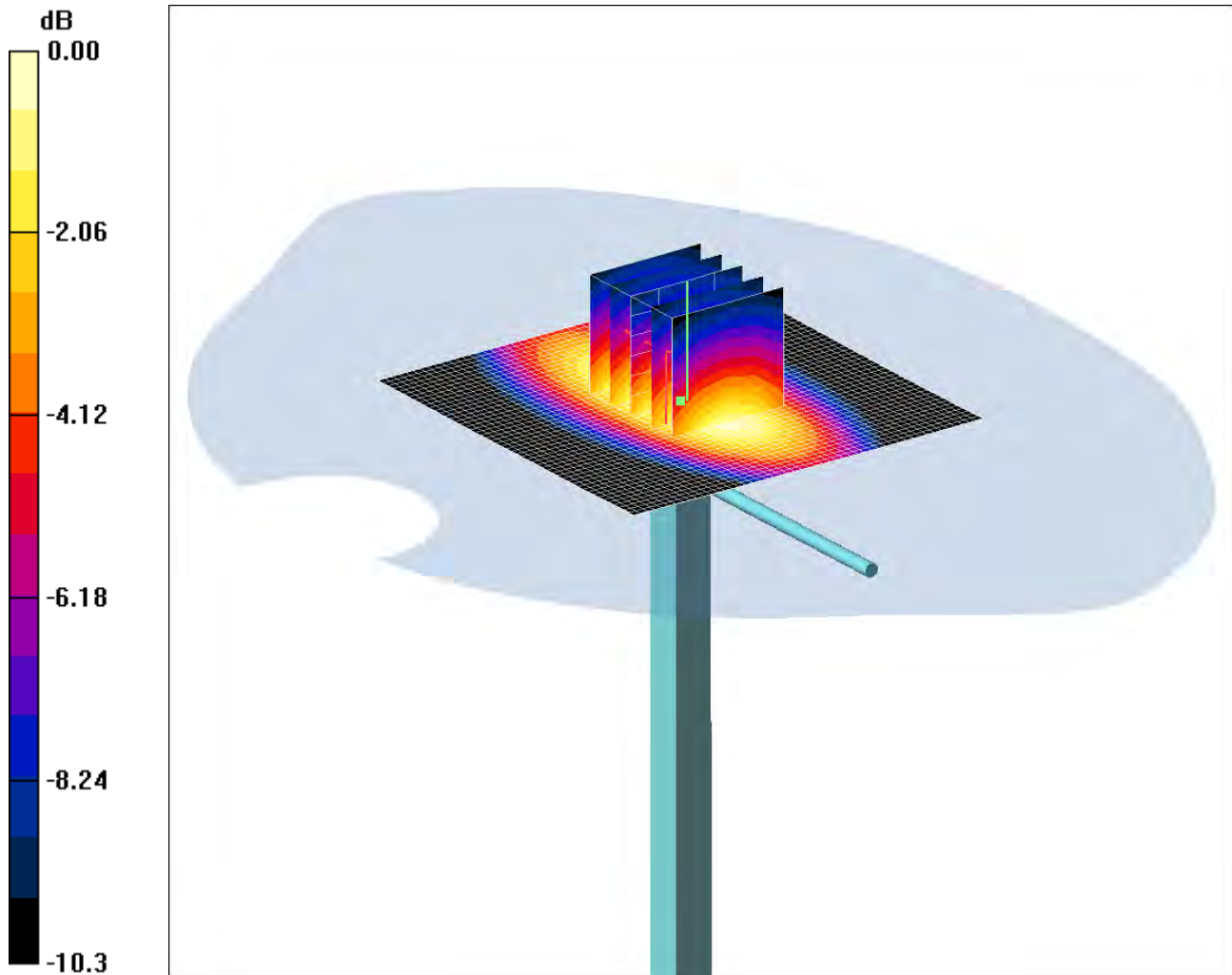
Maximum value of SAR (measured) = 2.90 mW/g



SCN/87471JD03A/087: System Performance Check 900MHz Body 11 05 12

Date: 11/05/2012

DUT: Dipole 900 MHz; SN: 124; Type: D900V2; Serial: SN124



0 dB = 3.02mW/g

Communication System: CW; Frequency: 900 MHz; Duty Cycle: 1:1

Medium: 900 MHz MSL Medium parameters used:  $f = 900 \text{ MHz}$ ;  $\sigma = 1.02 \text{ mho/m}$ ;  $\epsilon_r = 56.8$ ;  $\rho = 1000 \text{ kg/m}^3$

Phantom section: Flat Section

DASY4 Configuration:

- Probe: ET3DV6 - SN1528; ConvF(5.77, 5.77, 5.77); Calibrated: 18/07/2011

- Sensor-Surface: 4mm (Mechanical Surface Detection)

- Electronics: DAE3 Sn432; Calibrated: 02/05/2012

- Phantom: SAM 12a (Site 57); Type: SAM 4.0; Serial: TP:1020

- Measurement SW: DASY4, V4.5 Build 19; Postprocessing SW: SEMCAD, V1.8 Build 145

**d=15mm, Pin=250mW/Area Scan (51x51x1):** Measurement grid: dx=20mm, dy=20mm

Maximum value of SAR (interpolated) = 3.18 mW/g

**d=15mm, Pin=250mW/Zoom Scan (5x5x7) (5x5x7)/Cube 0:** Measurement grid: dx=8mm, dy=8mm, dz=5mm

Reference Value = 57.0 V/m; Power Drift = -0.017 dB

Peak SAR (extrapolated) = 3.79 W/kg

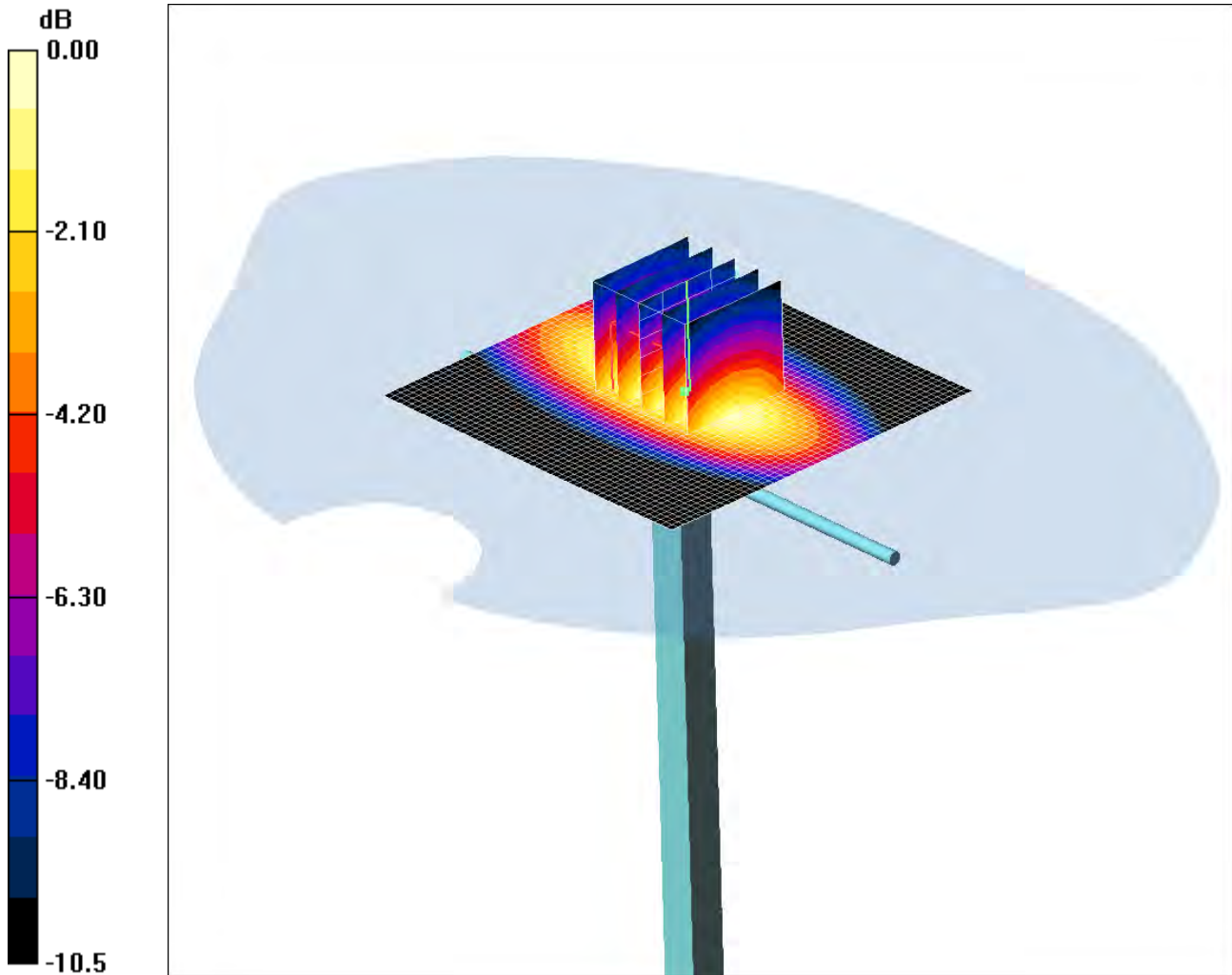
**SAR(1 g) = 2.77 mW/g; SAR(10 g) = 1.84 mW/g**

Maximum value of SAR (measured) = 3.02 mW/g

SCN/87471JD03A/088: System Performance Check 900MHz Body 12 05 12

Date: 12/05/2012

DUT: Dipole 900 MHz; SN: 124; Type: D900V2; Serial: SN124



0 dB = 2.86mW/g

Communication System: CW; Frequency: 900 MHz; Duty Cycle: 1:1

Medium: 900 MHz MSL Medium parameters used:  $f = 900 \text{ MHz}$ ;  $\sigma = 1.02 \text{ mho/m}$ ;  $\epsilon_r = 56.2$ ;  $\rho = 1000 \text{ kg/m}^3$

Phantom section: Flat Section

DASY4 Configuration:

- Probe: ET3DV6 - SN1528; ConvF(5.77, 5.77, 5.77); Calibrated: 18/07/2011

- Sensor-Surface: 4mm (Mechanical Surface Detection)

- Electronics: DAE3 Sn432; Calibrated: 02/05/2012

- Phantom: SAM 12a (Site 57); Type: SAM 4.0; Serial: TP:1020

- Measurement SW: DASY4, V4.5 Build 19; Postprocessing SW: SEMCAD, V1.8 Build 145

**d=15mm, Pin=250mW/Area Scan (51x51x1):** Measurement grid: dx=20mm, dy=20mm

Maximum value of SAR (interpolated) = 2.99 mW/g

**d=15mm, Pin=250mW/Zoom Scan (5x5x7) (5x5x7)/Cube 0:** Measurement grid: dx=8mm, dy=8mm, dz=5mm

Reference Value = 54.2 V/m; Power Drift = 0.151 dB

Peak SAR (extrapolated) = 3.65 W/kg

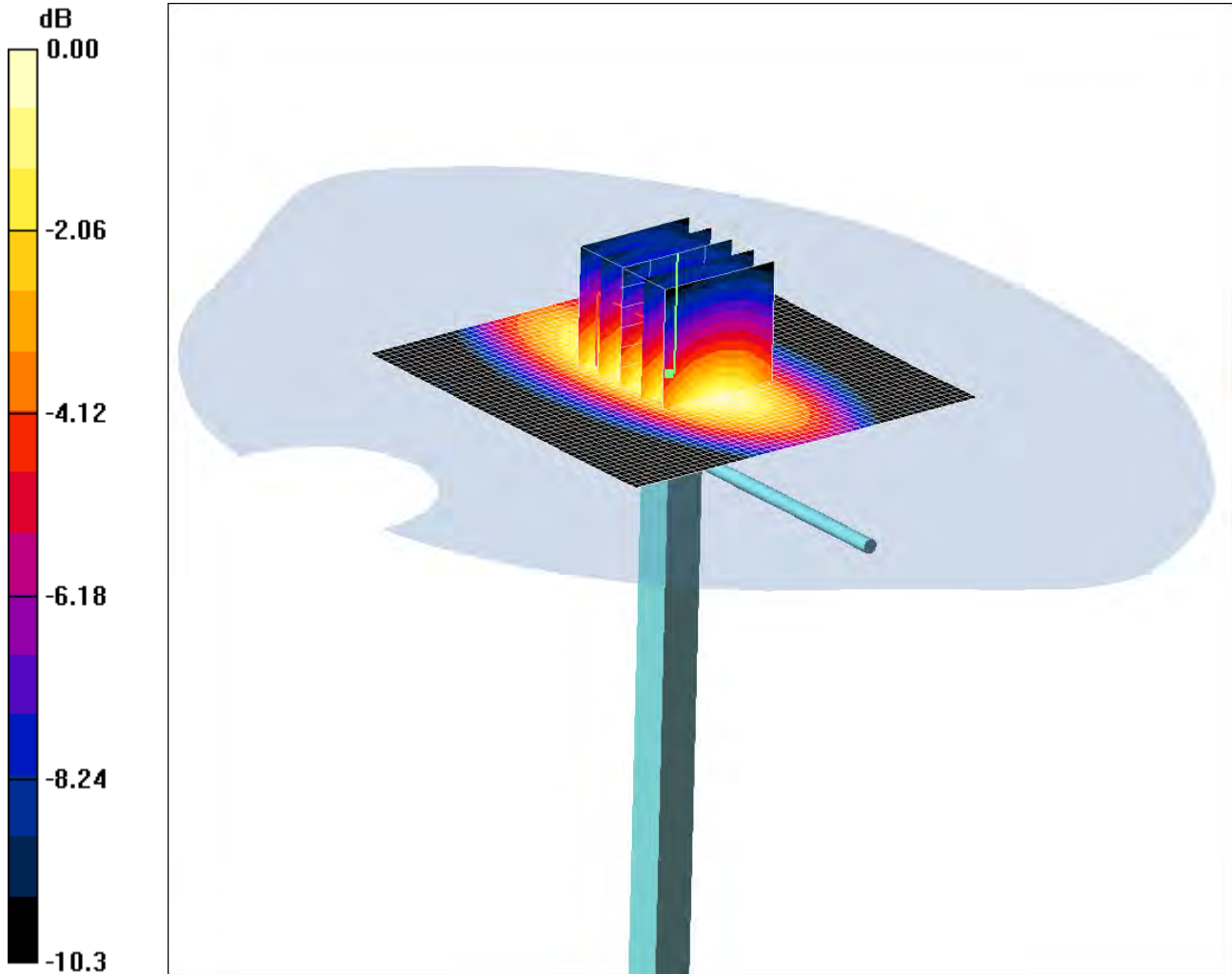
**SAR(1 g) = 2.64 mW/g; SAR(10 g) = 1.75 mW/g**

Maximum value of SAR (measured) = 2.86 mW/g

SCN/87471JD03A/089: System Performance Check 900MHz Body 13 05 12

Date: 13/05/2012

DUT: Dipole 900 MHz; SN: 124; Type: D900V2; Serial: SN124



0 dB = 2.85mW/g

Communication System: CW; Frequency: 900 MHz; Duty Cycle: 1:1

Medium: 900 MHz MSL Medium parameters used:  $f = 900 \text{ MHz}$ ;  $\sigma = 1.02 \text{ mho/m}$ ;  $\epsilon_r = 56.2$ ;  $\rho = 1000 \text{ kg/m}^3$

Phantom section: Flat Section

DASY4 Configuration:

- Probe: ET3DV6 - SN1528; ConvF(5.77, 5.77, 5.77); Calibrated: 18/07/2011
- Sensor-Surface: 4mm (Mechanical Surface Detection)
- Electronics: DAE3 Sn432; Calibrated: 02/05/2012
- Phantom: SAM 12a (Site 57); Type: SAM 4.0; Serial: TP:1020
- Measurement SW: DASY4, V4.5 Build 19; Postprocessing SW: SEMCAD, V1.8 Build 145

**d=15mm, Pin=250mW/Area Scan (51x51x1):** Measurement grid: dx=20mm, dy=20mm

Maximum value of SAR (interpolated) = 3.01 mW/g

**d=15mm, Pin=250mW/Zoom Scan (5x5x7) (5x5x7)/Cube 0:** Measurement grid: dx=8mm, dy=8mm, dz=5mm

Reference Value = 55.1 V/m; Power Drift = 0.062 dB

Peak SAR (extrapolated) = 3.64 W/kg

**SAR(1 g) = 2.64 mW/g; SAR(10 g) = 1.75 mW/g**

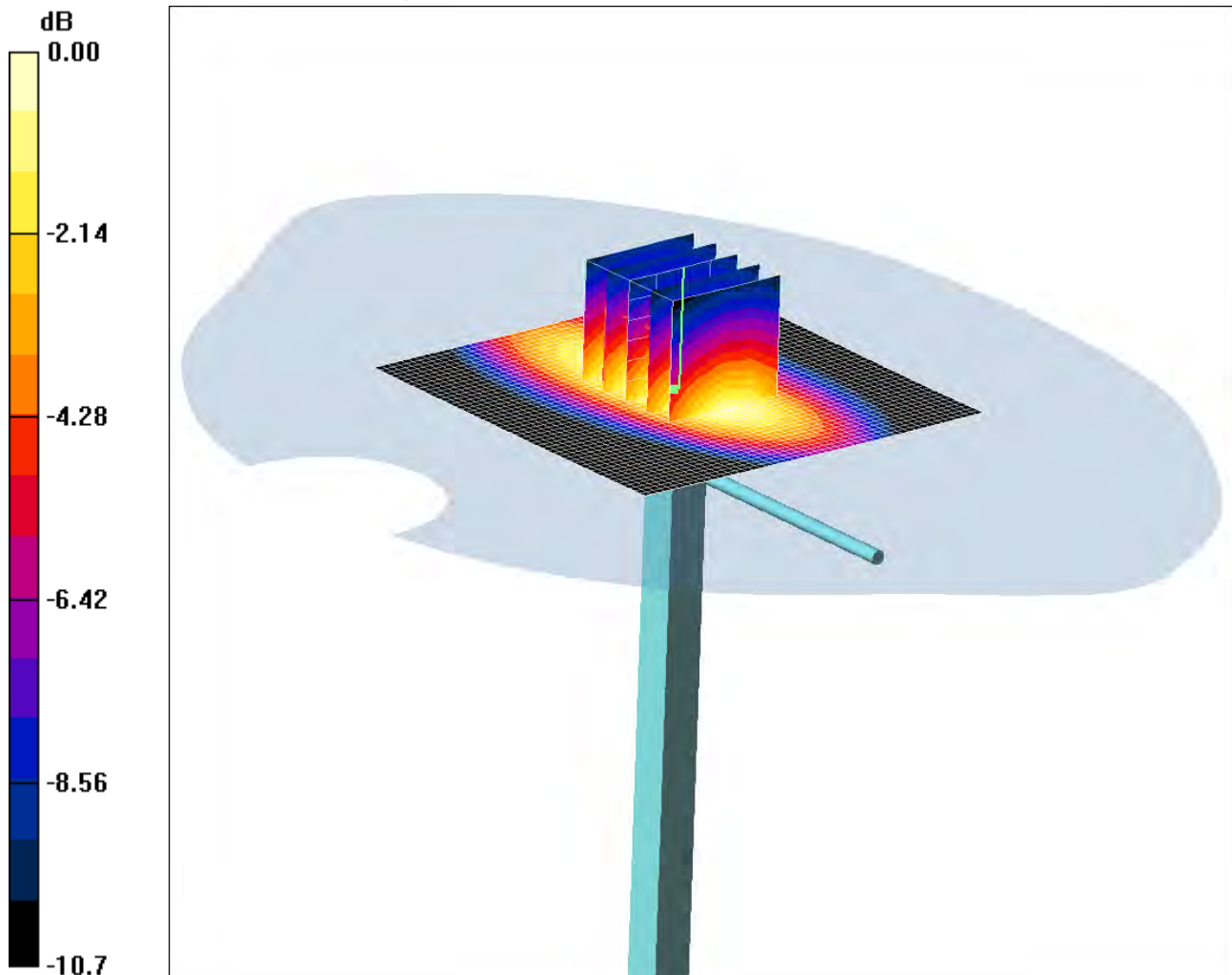
Maximum value of SAR (measured) = 2.85 mW/g

---

 SCN/87471JD03A/090: System Performance Check 900MHz Body 14 05 12

Date: 14/05/2012

DUT: Dipole 900 MHz; SN: 124; Type: D900V2; Serial: SN124



0 dB = 3.00mW/g

Communication System: CW; Frequency: 900 MHz; Duty Cycle: 1:1

Medium: 900 MHz MSL Medium parameters used:  $f = 900 \text{ MHz}$ ;  $\sigma = 1.01 \text{ mho/m}$ ;  $\epsilon_r = 56.1$ ;  $\rho = 1000 \text{ kg/m}^3$ 

Phantom section: Flat Section

DASY4 Configuration:

- Probe: ET3DV6 - SN1528; ConvF(5.77, 5.77, 5.77); Calibrated: 18/07/2011

- Sensor-Surface: 4mm (Mechanical Surface Detection)

- Electronics: DAE3 Sn432; Calibrated: 02/05/2012

- Phantom: SAM 12a (Site 57); Type: SAM 4.0; Serial: TP:1020

- Measurement SW: DASY4, V4.5 Build 19; Postprocessing SW: SEMCAD, V1.8 Build 145

**d=15mm, Pin=250mW/Area Scan (51x51x1):** Measurement grid: dx=20mm, dy=20mm

Maximum value of SAR (interpolated) = 3.10 mW/g

**d=15mm, Pin=250mW/Zoom Scan (5x5x7) (5x5x7)/Cube 0:** Measurement grid: dx=8mm, dy=8mm, dz=5mm

Reference Value = 55.6 V/m; Power Drift = 0.289 dB

Peak SAR (extrapolated) = 3.81 W/kg

**SAR(1 g) = 2.78 mW/g; SAR(10 g) = 1.85 mW/g**

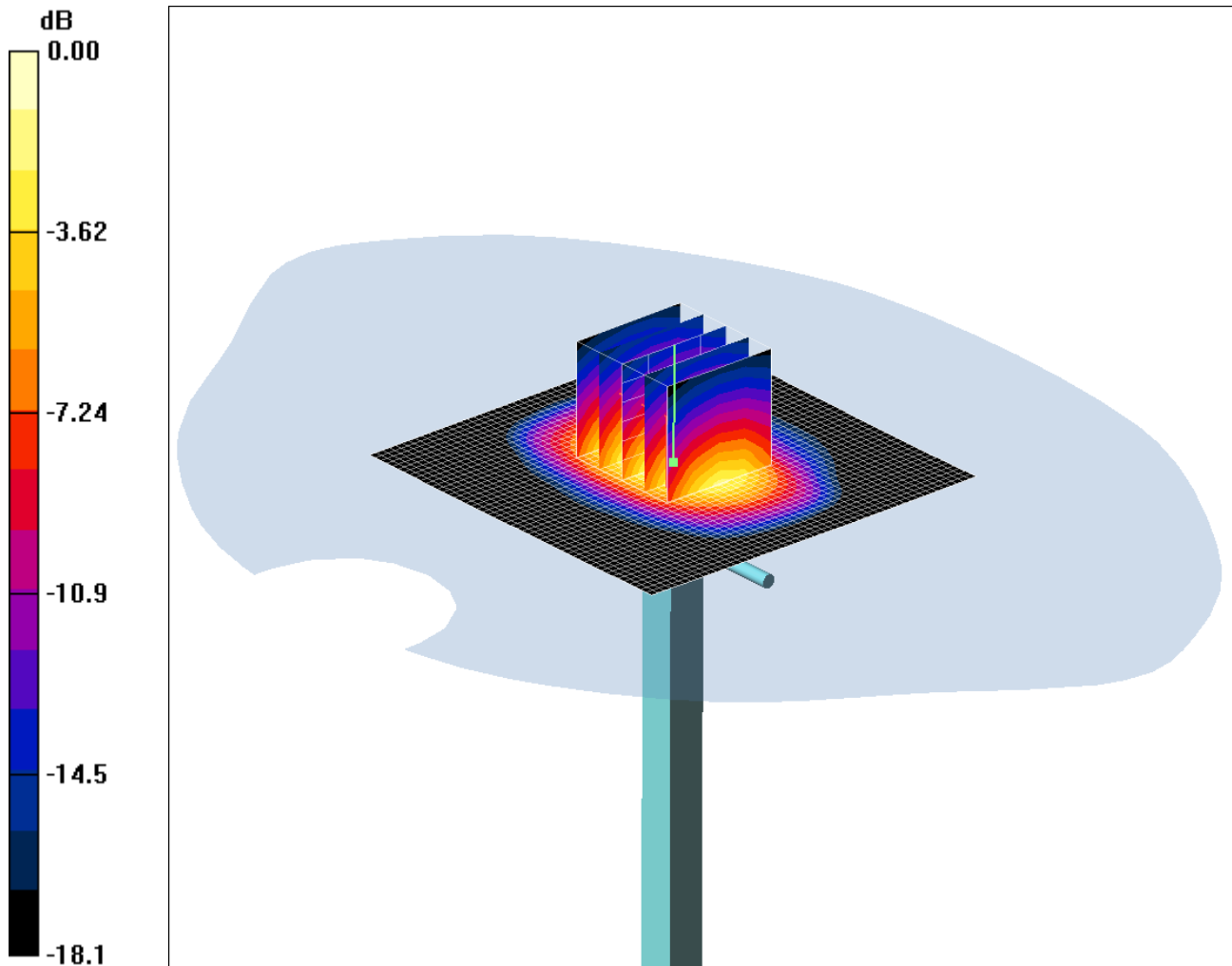
Maximum value of SAR (measured) = 3.00 mW/g



SCN/87471JD03A/091: System Performance Check 1900MHz Head 01 05 12

Date: 01/05/2012

DUT: Dipole 1900 MHz; Type: D1900V2; Serial: SN540



0 dB = 11.3mW/g

Communication System: CW; Frequency: 1900 MHz; Duty Cycle: 1:1

Medium: 1900 MHz HSL Medium parameters used:  $f = 1900 \text{ MHz}$ ;  $\sigma = 1.42 \text{ mho/m}$ ;  $\epsilon_r = 38.4$ ;  $\rho = 1000 \text{ kg/m}^3$

Phantom section: Flat Section

DASY4 Configuration:

- Probe: ET3DV6 - SN1528; ConvF(4.81, 4.81, 4.81); Calibrated: 18/07/2011

- Sensor-Surface: 4mm (Mechanical Surface Detection)

- Electronics: DAE3 Sn431; Calibrated: 05/05/2011

- Phantom: SAM 12a (Site 57); Type: SAM 4.0; Serial: TP:1020

- Measurement SW: DASY4, V4.5 Build 19; Postprocessing SW: SEMCAD, V1.8 Build 145

**d=10mm, Pin=250mW/Area Scan (51x51x1):** Measurement grid: dx=20mm, dy=20mm

Maximum value of SAR (interpolated) = 14.5 mW/g

**d=10mm, Pin=250mW/Zoom Scan (5x5x7) (5x5x7)/Cube 0:** Measurement grid: dx=8mm, dy=8mm, dz=5mm

Reference Value = 91.6 V/m; Power Drift = 0.062 dB

Peak SAR (extrapolated) = 18.7 W/kg

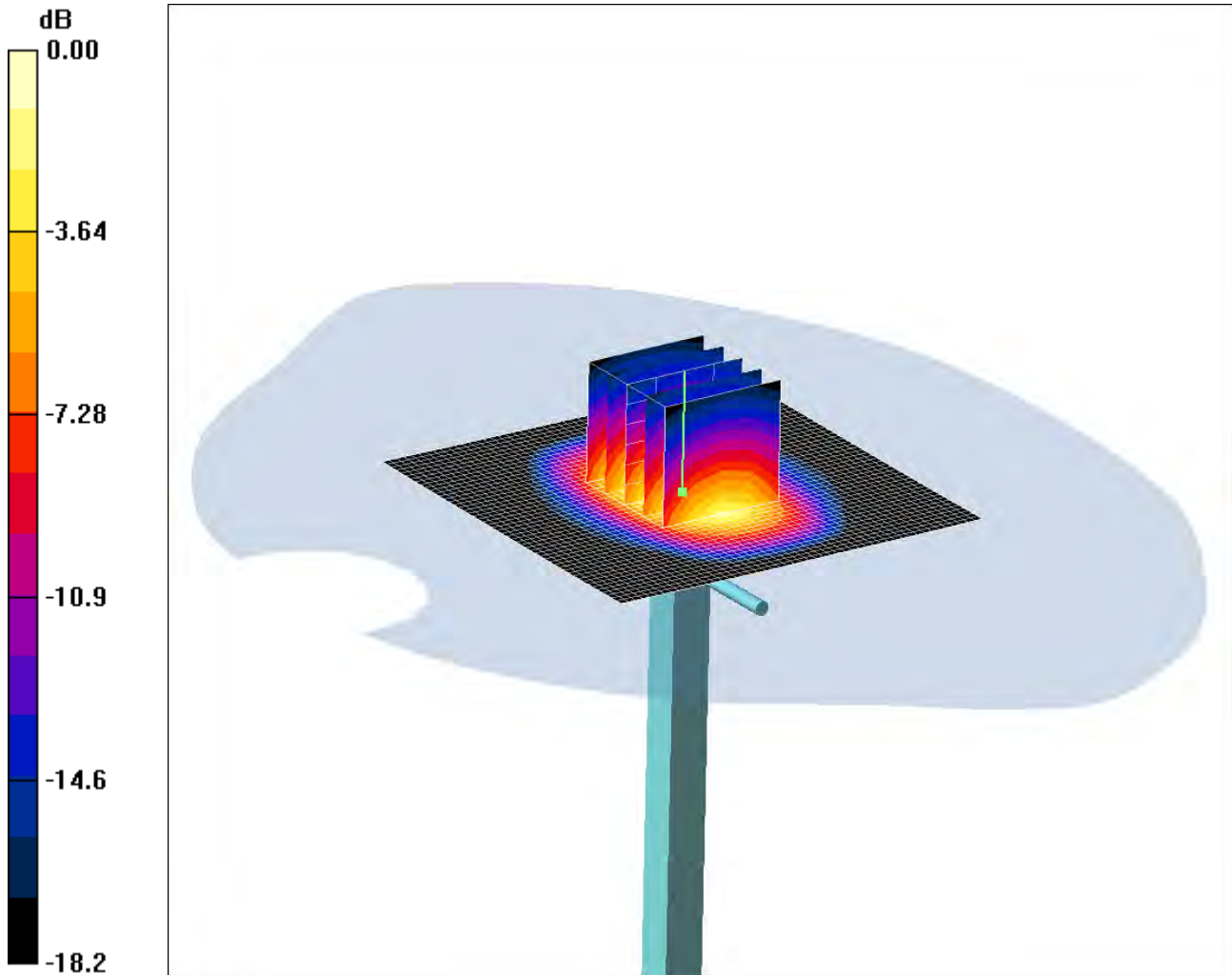
**SAR(1 g) = 10.3 mW/g; SAR(10 g) = 5.38 mW/g**

Maximum value of SAR (measured) = 11.3 mW/g

SCN/87471JD03A/092: System Performance Check 1900MHz Head 16 05 12

Date: 16/05/2012

DUT: Dipole 1900 MHz; Type: D1900V2; Serial: SN540



0 dB = 11.2mW/g

Communication System: CW; Frequency: 1900 MHz; Duty Cycle: 1:1

Medium: 1900 MHz HSL Medium parameters used:  $f = 1900 \text{ MHz}$ ;  $\sigma = 1.44 \text{ mho/m}$ ;  $\epsilon_r = 38.6$ ;  $\rho = 1000 \text{ kg/m}^3$

Phantom section: Flat Section

DASY4 Configuration:

- Probe: ET3DV6 - SN1528; ConvF(4.81, 4.81, 4.81); Calibrated: 18/07/2011

- Sensor-Surface: 4mm (Mechanical Surface Detection)

- Electronics: DAE3 Sn432; Calibrated: 02/05/2012

- Phantom: SAM 12b (Site 57); Type: SAM 4.0; Serial: TP:1031

- Measurement SW: DASY4, V4.5 Build 19; Postprocessing SW: SEMCAD, V1.8 Build 145

**d=10mm, Pin=250mW/Area Scan (51x51x1):** Measurement grid: dx=20mm, dy=20mm

Maximum value of SAR (interpolated) = 15.7 mW/g

**d=10mm, Pin=250mW/Zoom Scan (5x5x7) (5x5x7)/Cube 0:** Measurement grid: dx=8mm, dy=8mm, dz=5mm

Reference Value = 90.8 V/m; Power Drift = 0.070 dB

Peak SAR (extrapolated) = 18.1 W/kg

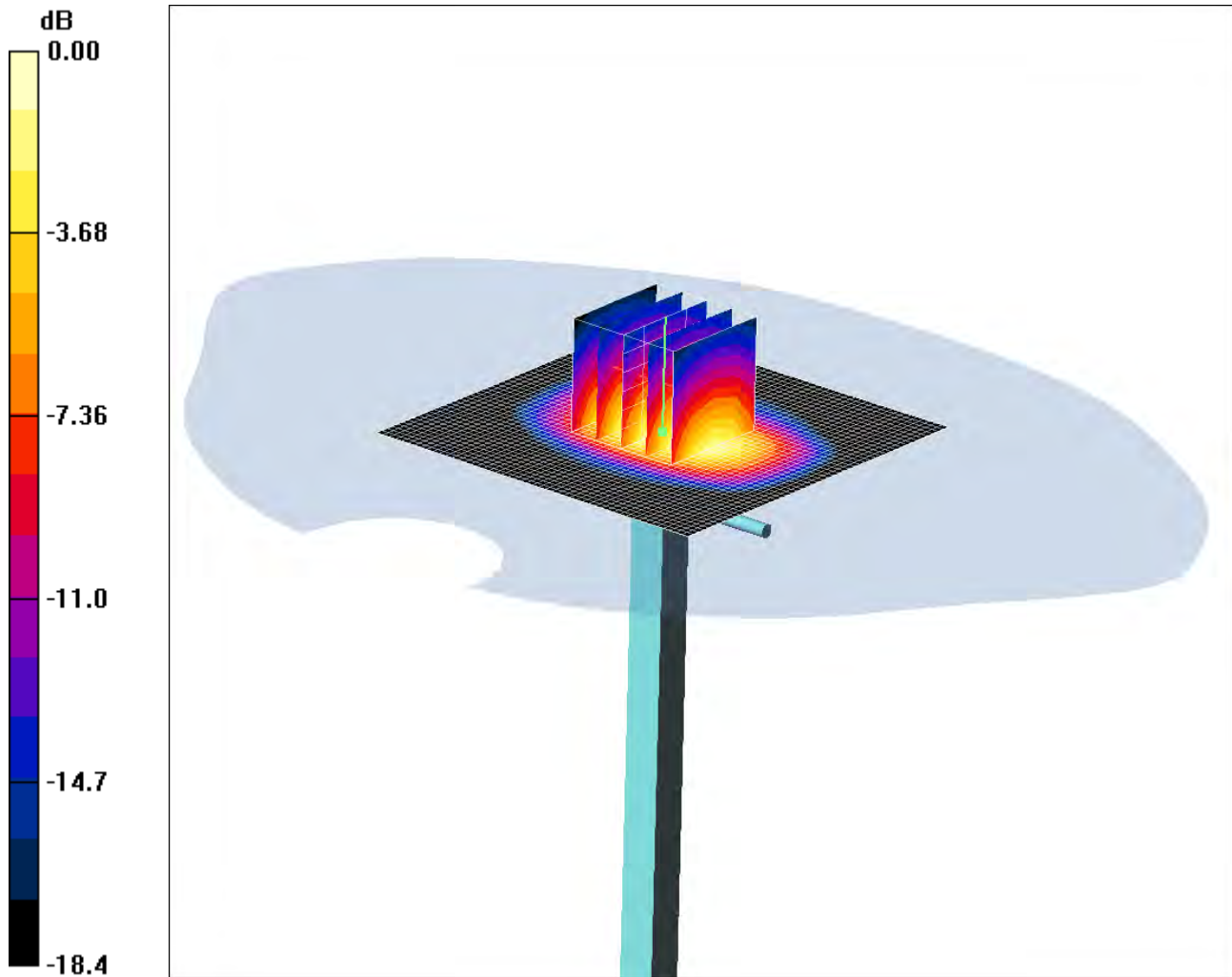
**SAR(1 g) = 9.98 mW/g; SAR(10 g) = 5.18 mW/g**

Maximum value of SAR (measured) = 11.2 mW/g

SCN/87471JD03A/093: System Performance Check 1900MHz Body 14 05 12

Date: 14/05/2012

DUT: Dipole 1900 MHz; Type: D1900V2; Serial: SN540



0 dB = 11.6mW/g

Communication System: CW; Frequency: 1900 MHz; Duty Cycle: 1:1

Medium: 1900 MHz MSL Medium parameters used:  $f = 1900$  MHz;  $\sigma = 1.58$  mho/m;  $\epsilon_r = 50.8$ ;  $\rho = 1000$  kg/m<sup>3</sup>

Phantom section: Flat Section

DASY4 Configuration:

- Probe: ET3DV6 - SN1528; ConvF(4.37, 4.37, 4.37); Calibrated: 18/07/2011

- Sensor-Surface: 4mm (Mechanical Surface Detection)

- Electronics: DAE3 Sn432; Calibrated: 02/05/2012

- Phantom: SAM 12b (Site 57); Type: SAM 4.0; Serial: TP:1031

- Measurement SW: DASY4, V4.5 Build 19; Postprocessing SW: SEMCAD, V1.8 Build 145

**d=10mm, Pin=250mW/Area Scan (51x51x1):** Measurement grid: dx=20mm, dy=20mm

Maximum value of SAR (interpolated) = 15.7 mW/g

**d=10mm, Pin=250mW/Zoom Scan (5x5x7) (5x5x7)/Cube 0:** Measurement grid: dx=8mm, dy=8mm, dz=5mm

Reference Value = 91.8 V/m; Power Drift = 0.014 dB

Peak SAR (extrapolated) = 17.4 W/kg

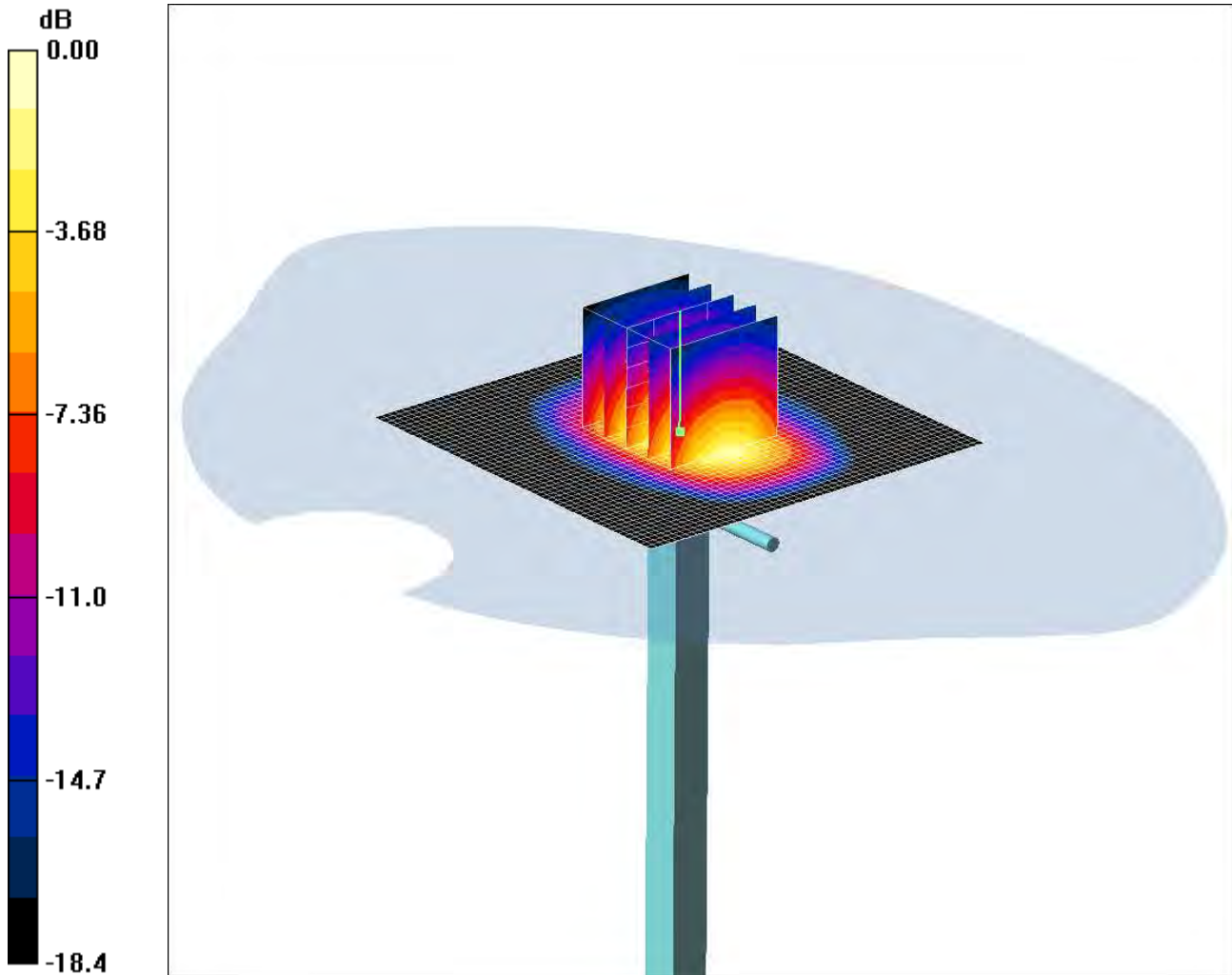
**SAR(1 g) = 10.3 mW/g; SAR(10 g) = 5.42 mW/g**

Maximum value of SAR (measured) = 11.6 mW/g

SCN/87471JD03A/094: System Performance Check 1900MHz Body 15 05 12

Date: 15/05/2012

DUT: Dipole 1900 MHz; Type: D1900V2; Serial: SN540



0 dB = 11.5mW/g

Communication System: CW; Frequency: 1900 MHz; Duty Cycle: 1:1

Medium: 1900 MHz MSL Medium parameters used:  $f = 1900 \text{ MHz}$ ;  $\sigma = 1.58 \text{ mho/m}$ ;  $\epsilon_r = 50.8$ ;  $\rho = 1000 \text{ kg/m}^3$

Phantom section: Flat Section

DASY4 Configuration:

- Probe: ET3DV6 - SN1528; ConvF(4.37, 4.37, 4.37); Calibrated: 18/07/2011

- Sensor-Surface: 4mm (Mechanical Surface Detection)

- Electronics: DAE3 Sn432; Calibrated: 02/05/2012

- Phantom: SAM 12b (Site 57); Type: SAM 4.0; Serial: TP:1031

- Measurement SW: DASY4, V4.5 Build 19; Postprocessing SW: SEMCAD, V1.8 Build 145

**d=10mm, Pin=250mW/Area Scan (51x51x1):** Measurement grid: dx=20mm, dy=20mm

Maximum value of SAR (interpolated) = 15.5 mW/g

**d=10mm, Pin=250mW/Zoom Scan (5x5x7) (5x5x7)/Cube 0:** Measurement grid: dx=8mm, dy=8mm, dz=5mm

Reference Value = 91.0 V/m; Power Drift = 0.072 dB

Peak SAR (extrapolated) = 17.3 W/kg

**SAR(1 g) = 10.2 mW/g; SAR(10 g) = 5.38 mW/g**

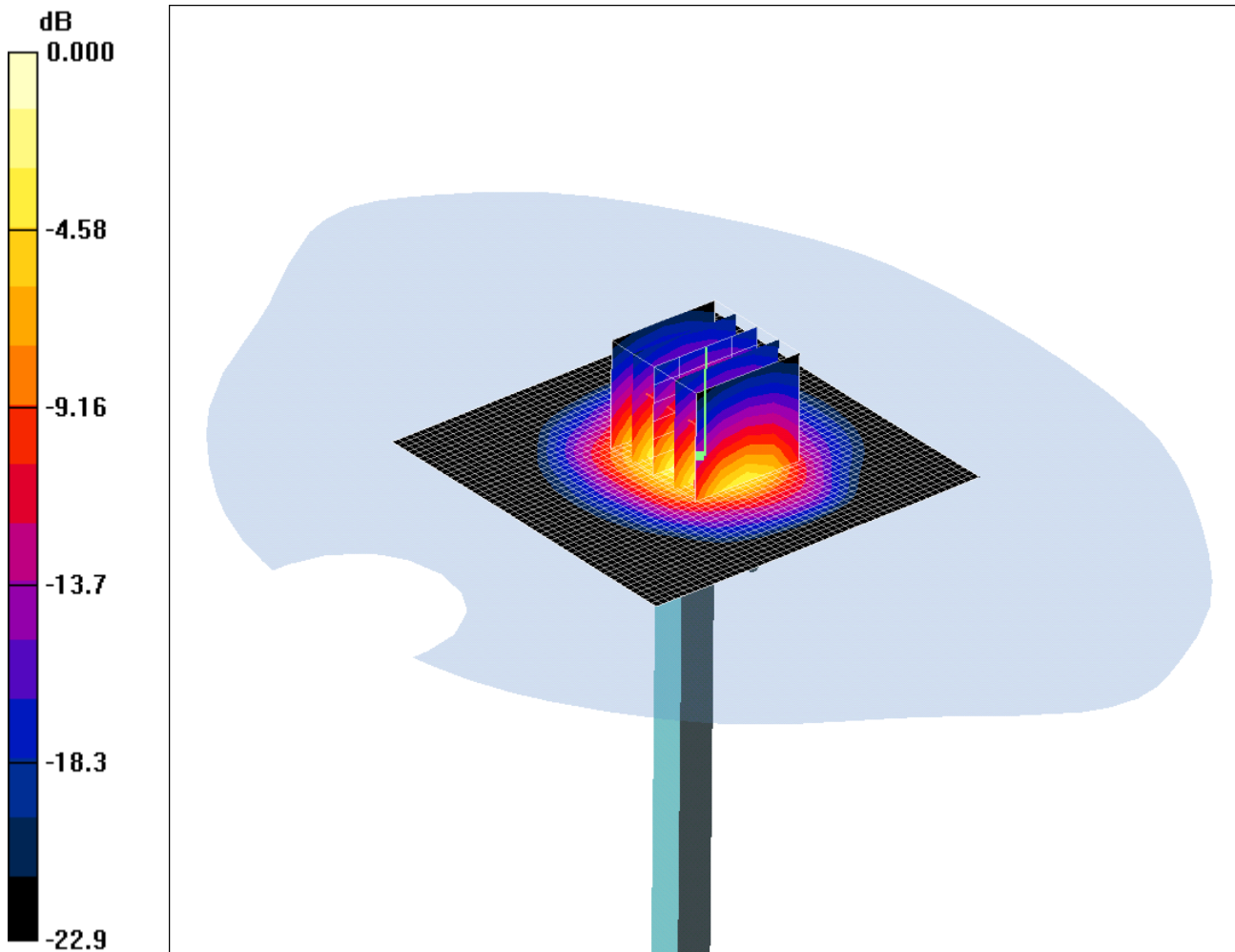
Maximum value of SAR (measured) = 11.5 mW/g



SCN/87471JD03A/095: System Performance Check 2450MHz Head 17 05 12

Date 17/05/2012

DUT: Dipole 2450 MHz; Type: D2450V2; Serial: D2450V2 - SN:725



0 dB = 15.3mW/g

Communication System: CW; Frequency: 2450 MHz; Duty Cycle: 1:1

Medium: 2450 MHz HSL Medium parameters used:  $f = 2450$  MHz;  $\sigma = 1.83$  mho/m;  $\epsilon_r = 37.8$ ;  $\rho = 1000$  kg/m<sup>3</sup>

Phantom section: Flat Section

DASY4 Configuration:

- Probe: EX3DV4 - SN3814; ConvF(7.02, 7.02, 7.02); Calibrated: 22/09/2011

- Sensor-Surface: 4mm (Mechanical Surface Detection)

- Electronics: DAE3 Sn394; Calibrated: 26/01/2012

- Phantom: SAM 12b; Type: SAM 4.0; Serial: TP:1207

- Measurement SW: DASY4, V4.7 Build 55; Postprocessing SW: SEMCAD, V1.8 Build 176

**d=10mm, Pin=250mW 2/Area Scan (51x51x1):** Measurement grid: dx=20mm, dy=20mm

Maximum value of SAR (interpolated) = 19.5 mW/g

**d=10mm, Pin=250mW 2/Zoom Scan (5x5x7) 2 (5x5x7)/Cube 0:** Measurement grid: dx=8mm, dy=8mm, dz=5mm

Reference Value = 85.5 V/m; Power Drift = 0.087 dB

Peak SAR (extrapolated) = 29.1 W/kg

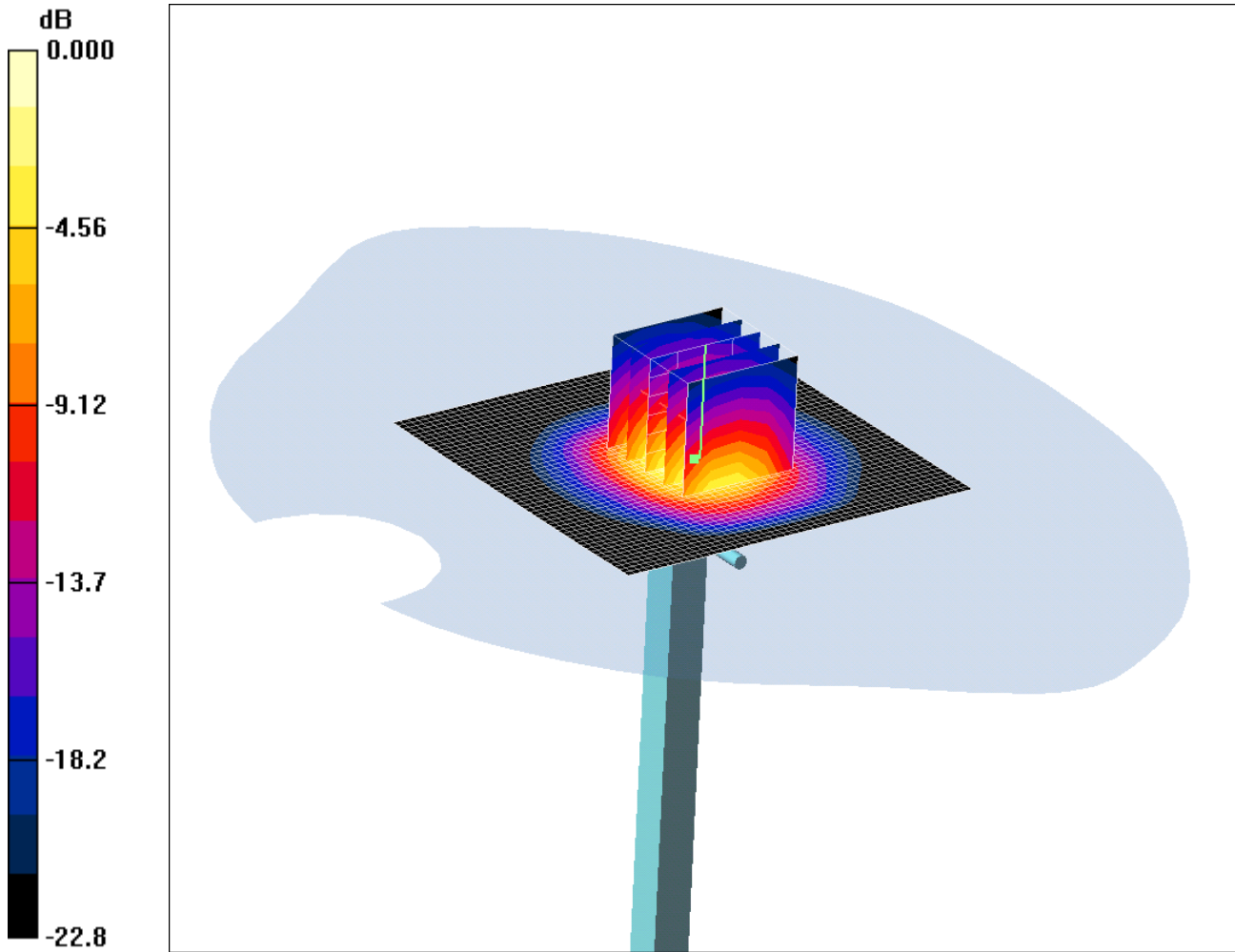
**SAR(1 g) = 13.6 mW/g; SAR(10 g) = 6.18 mW/g**

Maximum value of SAR (measured) = 15.3 mW/g

SCN/87471JD03A/096: System Performance Check 2450MHz Body 17 05 12

Date 17/05/2012

DUT: Dipole 2450 MHz; Type: D2450V2; Serial: D2450V2 - SN:725



0 dB = 14.7mW/g

Communication System: CW; Frequency: 2450 MHz; Duty Cycle: 1:1

Medium: 2450 MHz MSL Medium parameters used:  $f = 2450 \text{ MHz}$ ;  $\sigma = 2 \text{ mho/m}$ ;  $\epsilon_r = 50.8$ ;  $\rho = 1000 \text{ kg/m}^3$

Phantom section: Flat Section

DASY4 Configuration:

- Probe: EX3DV4 - SN3814; ConvF(7.15, 7.15, 7.15); Calibrated: 22/09/2011

- Sensor-Surface: 4mm (Mechanical Surface Detection)

- Electronics: DAE3 Sn394; Calibrated: 26/01/2012

- Phantom: SAM 12a; Type: SAM 4.0; Serial: TP:1193

- Measurement SW: DASY4, V4.7 Build 55; Postprocessing SW: SEMCAD, V1.8 Build 176

**d=10mm, Pin=250mW/Area Scan (51x51x1):** Measurement grid: dx=20mm, dy=20mm

Maximum value of SAR (interpolated) = 17.9 mW/g

**d=10mm, Pin=250mW/Zoom Scan (5x5x7) (5x5x7)/Cube 0:** Measurement grid: dx=8mm, dy=8mm, dz=5mm

Reference Value = 84.6 V/m; Power Drift = 0.006 dB

Peak SAR (extrapolated) = 26.8 W/kg

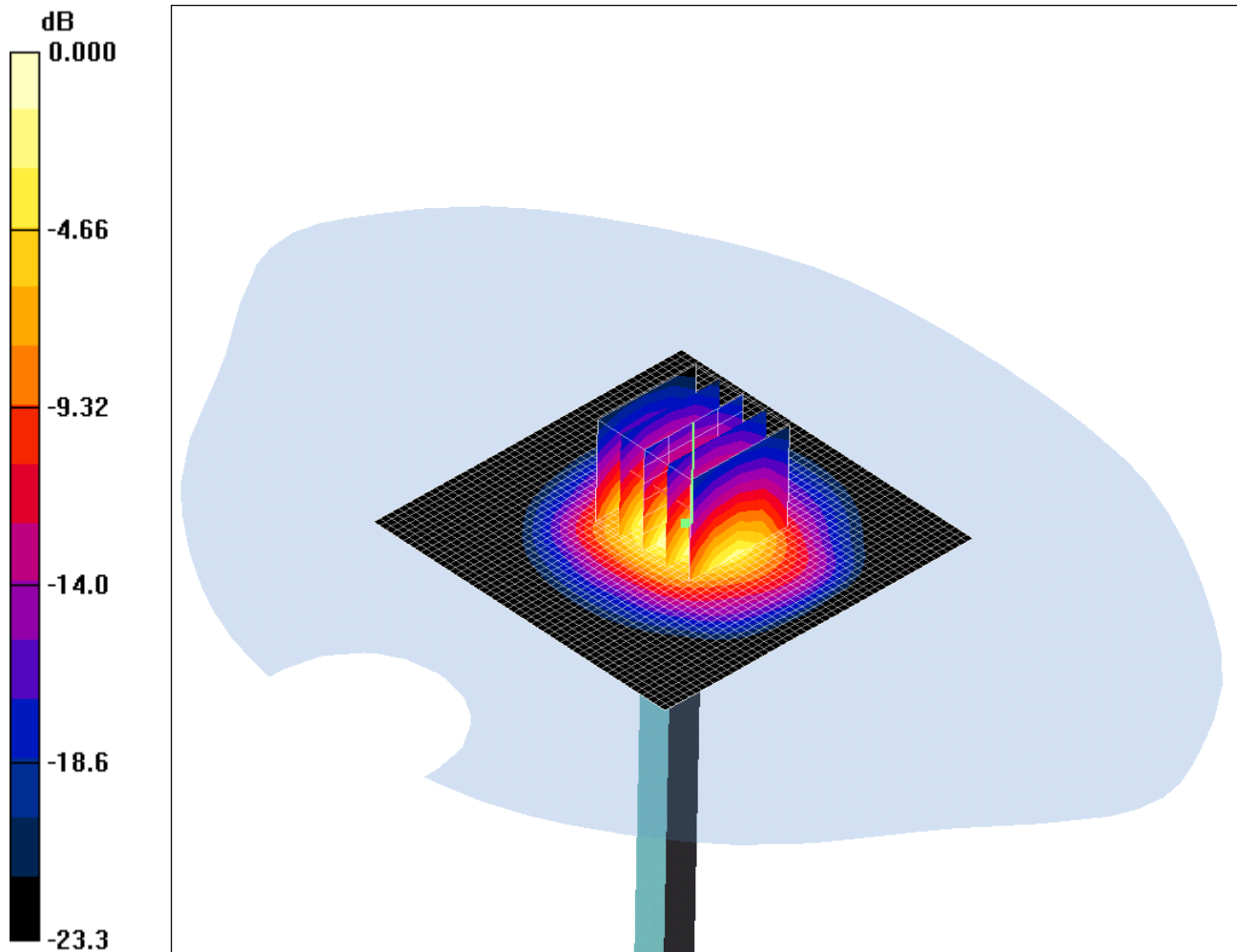
**SAR(1 g) = 13.2 mW/g; SAR(10 g) = 6.11 mW/g**

Maximum value of SAR (measured) = 14.7 mW/g

SCN/87471JD03A/097: System Performance Check 2450MHz Body 18 05 12

Date: 18/05/2012

DUT: Dipole 2450 MHz; Type: D2450V2; Serial: D2450V2 - SN:725



0 dB = 14.8mW/g

Communication System: CW; Frequency: 2450 MHz; Duty Cycle: 1:1

Medium: 2450 MHz MSL Medium parameters used:  $f = 2450$  MHz;  $\sigma = 2.02$  mho/m;  $\epsilon_r = 50.4$ ;  $\rho = 1000$  kg/m<sup>3</sup>

Phantom section: Flat Section

DASY4 Configuration:

- Probe: EX3DV4 - SN3814; ConvF(7.15, 7.15, 7.15); Calibrated: 22/09/2011

- Sensor-Surface: 4mm (Mechanical Surface Detection)

- Electronics: DAE3 Sn394; Calibrated: 26/01/2012

- Phantom: SAM 12a; Type: SAM 4.0; Serial: TP:1193

- Measurement SW: DASY4, V4.7 Build 55; Postprocessing SW: SEMCAD, V1.8 Build 176

**d=10mm, Pin=250mW/Area Scan (51x51x1):** Measurement grid: dx=20mm, dy=20mm

Maximum value of SAR (interpolated) = 16.9 mW/g

**d=10mm, Pin=250mW/Zoom Scan (5x5x7) (5x5x7)/Cube 0:** Measurement grid: dx=8mm, dy=8mm, dz=5mm

Reference Value = 84.0 V/m; Power Drift = 0.058 dB

Peak SAR (extrapolated) = 28.0 W/kg

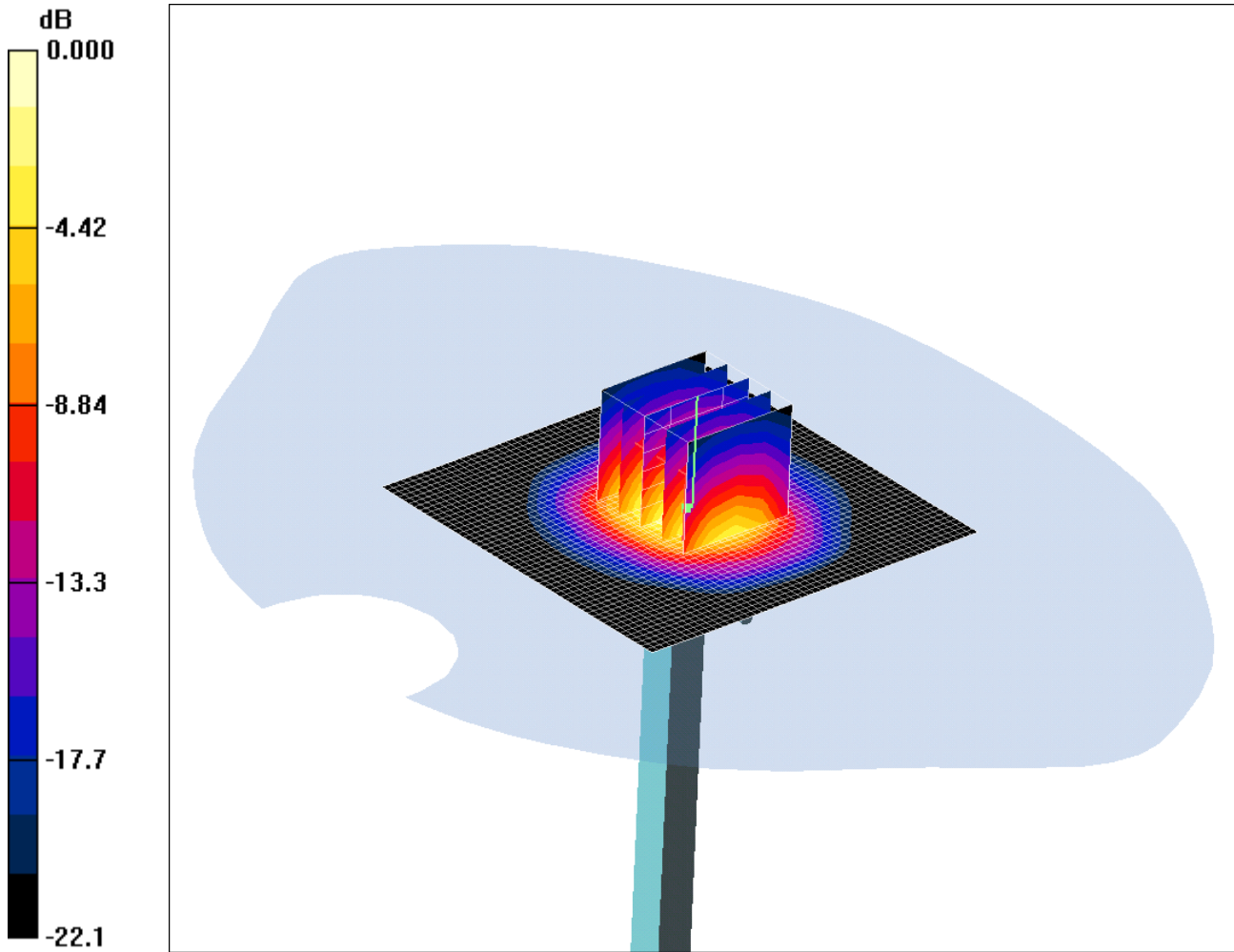
**SAR(1 g) = 13.5 mW/g; SAR(10 g) = 6.22 mW/g**

Maximum value of SAR (measured) = 14.8 mW/g

SCN/87471JD03A/098: System Performance Check 2450MHz Body 19 05 12

Date: 19/05/2012

DUT: Dipole 2450 MHz; Type: D2450V2; Serial: D2450V2 - SN:725



0 dB = 14.7mW/g

Communication System: CW; Frequency: 2450 MHz; Duty Cycle: 1:1

Medium: 2450 MHz MSL Medium parameters used:  $f = 2450 \text{ MHz}$ ;  $\sigma = 2.02 \text{ mho/m}$ ;  $\epsilon_r = 50.4$ ;  $\rho = 1000 \text{ kg/m}^3$

Phantom section: Flat Section

DASY4 Configuration:

- Probe: EX3DV4 - SN3814; ConvF(7.15, 7.15, 7.15); Calibrated: 22/09/2011

- Sensor-Surface: 4mm (Mechanical Surface Detection)

- Electronics: DAE3 Sn394; Calibrated: 26/01/2012

- Phantom: SAM 12a; Type: SAM 4.0; Serial: TP:1193

- Measurement SW: DASY4, V4.7 Build 55; Postprocessing SW: SEMCAD, V1.8 Build 176

**d=10mm, Pin=250mW/Area Scan (51x51x1):** Measurement grid: dx=20mm, dy=20mm

Maximum value of SAR (interpolated) = 18.4 mW/g

**d=10mm, Pin=250mW/Zoom Scan (5x5x7) (5x5x7)/Cube 0:** Measurement grid: dx=8mm, dy=8mm, dz=5mm

Reference Value = 84.8 V/m; Power Drift = 0.070 dB

Peak SAR (extrapolated) = 26.6 W/kg

**SAR(1 g) = 13.1 mW/g; SAR(10 g) = 6.1 mW/g**

Maximum value of SAR (measured) = 14.7 mW/g