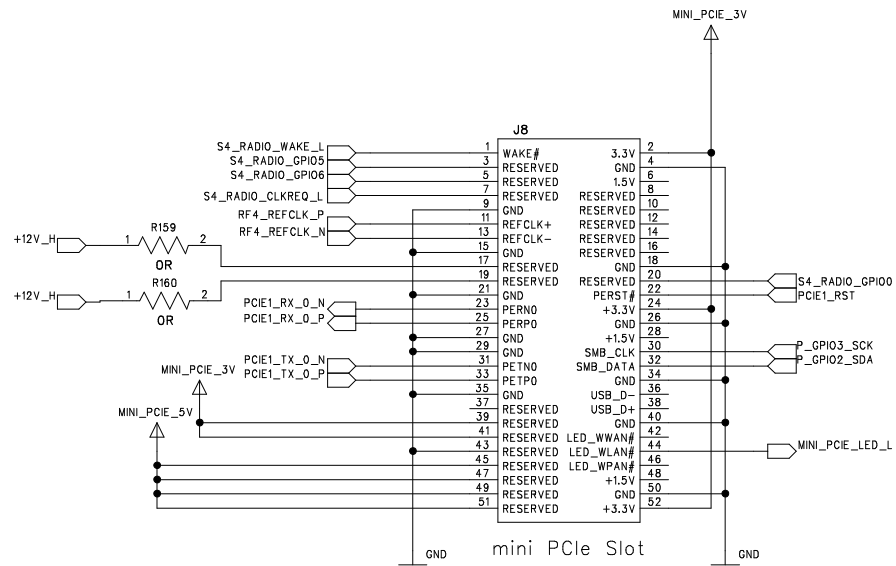
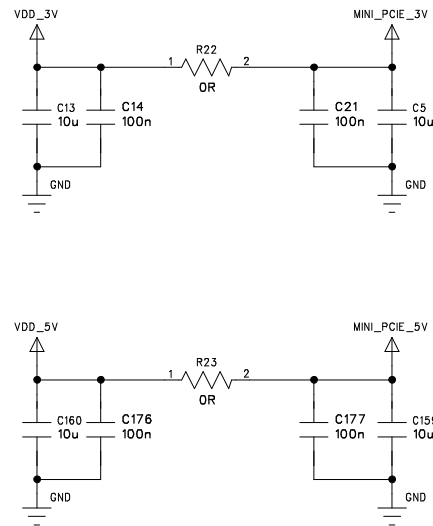
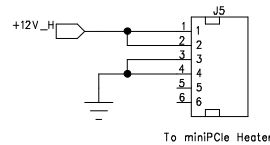
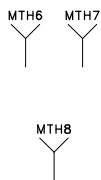
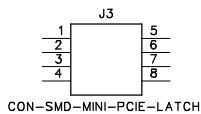


Altai Technologies Ltd. Proprietary Information
 Any unauthorized use, duplication, reproduction, or disclosure
 of this document may be considered as infringement of Altai
 Technologies intellectual property rights, the infringer may be
 accused and liable for applicable legal penalties



CONN MINI EXPRESS CARD LATCH SMD
 MM60-EZH039-B5-R850



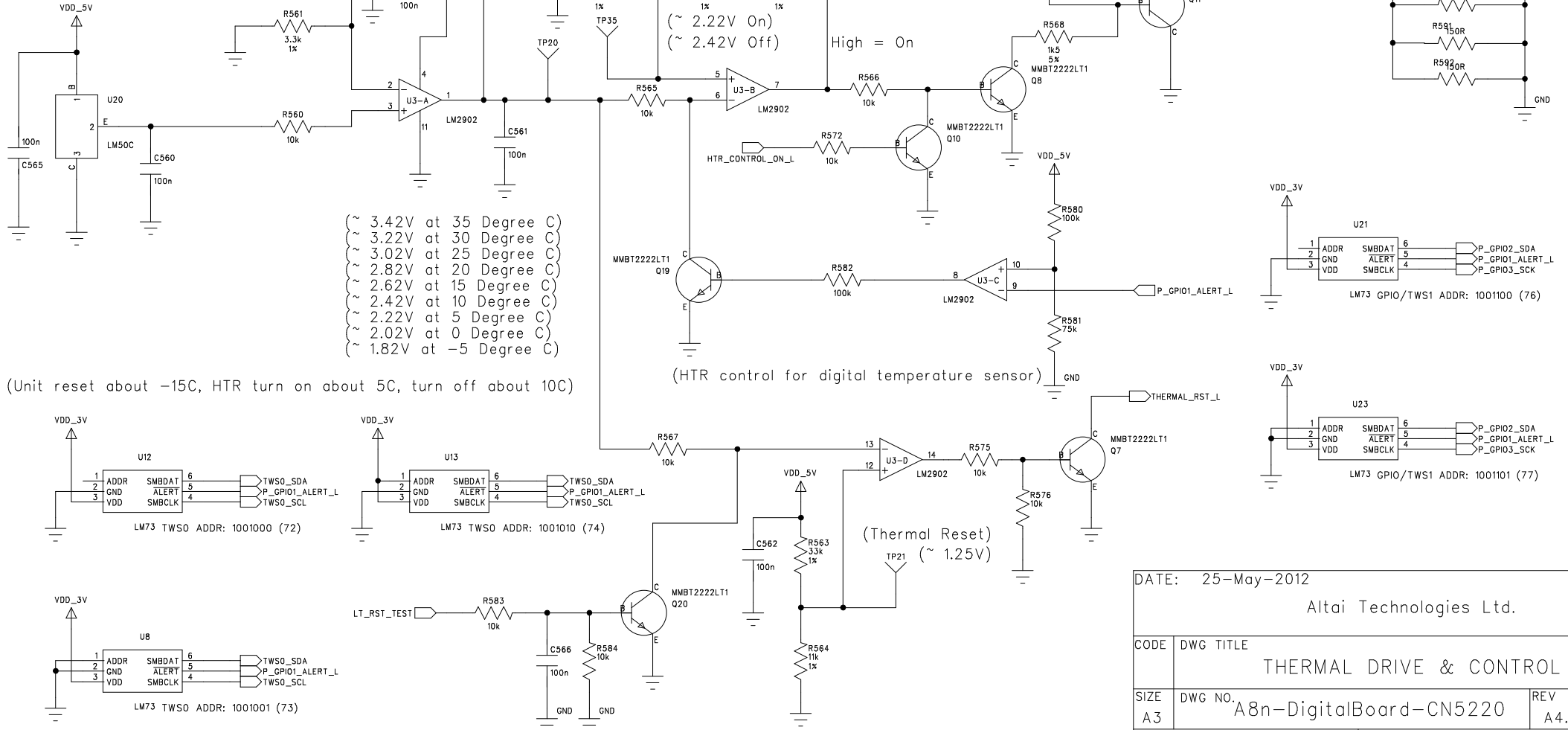
DATE: 25-May-2012		Altai Technologies Ltd.	
CODE	DWG TITLE MINI PCI-E		
SIZE A3	DWG NO. A8n-DigitalBoard-CN5220	REV A4.2	
SCALE 1/1	SHEET 31 of 32		

Altai Technologies Ltd. Proprietary Information
Any unauthorized use, duplication, reproduction, or disclosure of this document may be considered as infringement of Altai Technologies intellectual property rights, the infringer may be accused and liable for applicable legal penalties

- (~ 0.85V at 35 Degree C)
- (~ 0.80V at 30 Degree C)
- (~ 0.75V at 25 Degree C)
- (~ 0.70V at 20 Degree C)
- (~ 0.65V at 15 Degree C)
- (~ 0.60V at 10 Degree C)
- (~ 0.55V at 5 Degree C)
- (~ 0.50V at 0 Degree C)
- (~ 0.45V at -5 Degree C)

(x4.0303 Gain)

- (~ 3.42V at 35 Degree C)
- (~ 3.22V at 30 Degree C)
- (~ 3.02V at 25 Degree C)
- (~ 2.82V at 20 Degree C)
- (~ 2.62V at 15 Degree C)
- (~ 2.42V at 10 Degree C)
- (~ 2.22V at 5 Degree C)
- (~ 2.02V at 0 Degree C)
- (~ 1.82V at -5 Degree C)



(Unit reset about -15C, HTR turn on about 5C, turn off about 10C)

(HTR control for digital temperature sensor)

(Thermal Reset) (~ 1.25V)

DATE: 25-May-2012		
Altai Technologies Ltd.		
CODE	DWG TITLE	
	THERMAL DRIVE & CONTROL	
SIZE	DWG NO.	REV
A3	A8n-DigitalBoard-CN5220	A4.2
SCALE	1/1	SHEET 32 of 32

6

5

4

3

2

1

PART NUMBER BLOCK	
PART NUMBER	REV
	A1
	A2
	A3

Altai Technologies Limited Proprietary Information
 Any unauthorized use, duplication, reproduction, or disclosure
 of this document may be considered as infringement of Altai
 Technologies intellectual property rights, the infringer may be
 accused and liable for applicable legal penalties

REVISIONS				
ZONE	REV	DESCRIPTION	DATE	APPROVED
	A0	First Draft (Integrated in MB)	October,2010	
	A1	EVT First Draft Modification (Integrated in MB)	March,2011	
	A2	DVT (Split from MB, added Choke & POE+)	July,2011	
	A3	DVT (Replace LM5116 by Isolated Power Supply)	August,2011	
	A4	MVT (Modify PCB outline & holes for assembly)	October,2011	

Altai Technologies Ltd. WA8011NAC GbE Power Board Schematic

ALTAI CONFIDENTIAL

		UNLESS OTHERWISE SPECIFIED ALL DIMENSIONS ARE IN mm AND TOLERANCES ARE:			Altai Technologies Ltd.							
		MATERIAL:			CODE	DWG TITLE						
		FINISH:			A8n GbE Power Board Schematic							
		PROCESS:										
NEXT ASSY		USED ON		THIRD ANGLE PROJECTION	DRAWN	Billy Hon	29-March-2011	SIZE	DWG NO.	A8n-GbE-Power-Board	REV	A5.1
APPLICATION					ENGR	Billy Hon	29-March-2011	A3				
					APVD			SCALE	1/1	SHEET	1 of 6	

6

5

4

3

2

1

PART NUMBER BLOCK	
PART NUMBER	REV
	A1
	A2
	A3

Altai Technologies Limited Proprietary Information
 Any unauthorized use, duplication, reproduction, or disclosure
 of this document may be considered as infringement of Altai
 Technologies intellectual property rights, the infringer may be
 accused and liable for applicable legal penalties

REVISIONS				
ZONE	REV	DESCRIPTION	DATE	APPROVED
	A0	First Draft (Integrated in MB)	October,2010	
	A1	EVT First Draft Modification (Integrated in MB)	March,2011	
	A2	DVT/MVT (Modified MB & RF, added Interface Board)	May,2011	

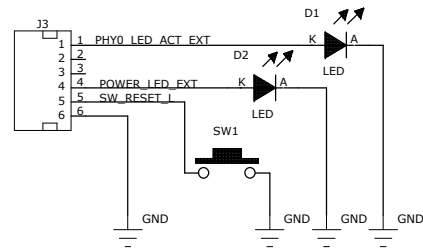
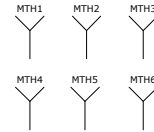
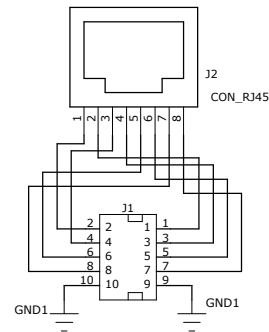
Altai Technologies Ltd.
 WA8011NAC Interface Board Schematic
 CN5220 Based

ALTAI CONFIDENTIAL

		UNLESS OTHERWISE SPECIFIED ALL DIMENSIONS ARE IN mm AND TOLERANCES ARE:			Altai Technologies Ltd.						
		MATERIAL:			CODE	DWG TITLE					
		FINISH:			A8n Interface Board Schematic (CN5220)						
		PROCESS:									
NEXT ASSY		USED ON		THIRD ANGLE PROJECTION	DRAWN	Kenneth Tsui	19-May-2011	SIZE	DWG NO.	A8n-Interface-Board-CN5220	REV
APPLICATION					ENGR	Kenneth Tsui	19-May-2011	A3			A2
					APVD			SCALE	1/1	SHEET	1 of 2

ALTAI PROPRIETARY & CONFIDENTIAL

Altai Technologies Ltd. Proprietary Information
 Any unauthorized use, duplication, reproduction, or disclosure of this document may be considered as infringement of Altai Technologies intellectual property rights, the infringer may be accused and liable for applicable legal penalties



Altai Technologies Ltd.			
CODE	DWG TITLE LED & ETH connector		
SIZE A3	DWG NO. A8n_ETH_PCB		REV A0
SCALE	1/1	SHEET 1 of 1	

REVISION RECORD					
Version	ECN NO.	BOM	APPROVED:	DATE:	COMMENT
RA-0				October 2011	First Release

ALTAI Technologies Ltd.
 WA8011NAC WiFi BaseStation RF Schematic
 Row Version

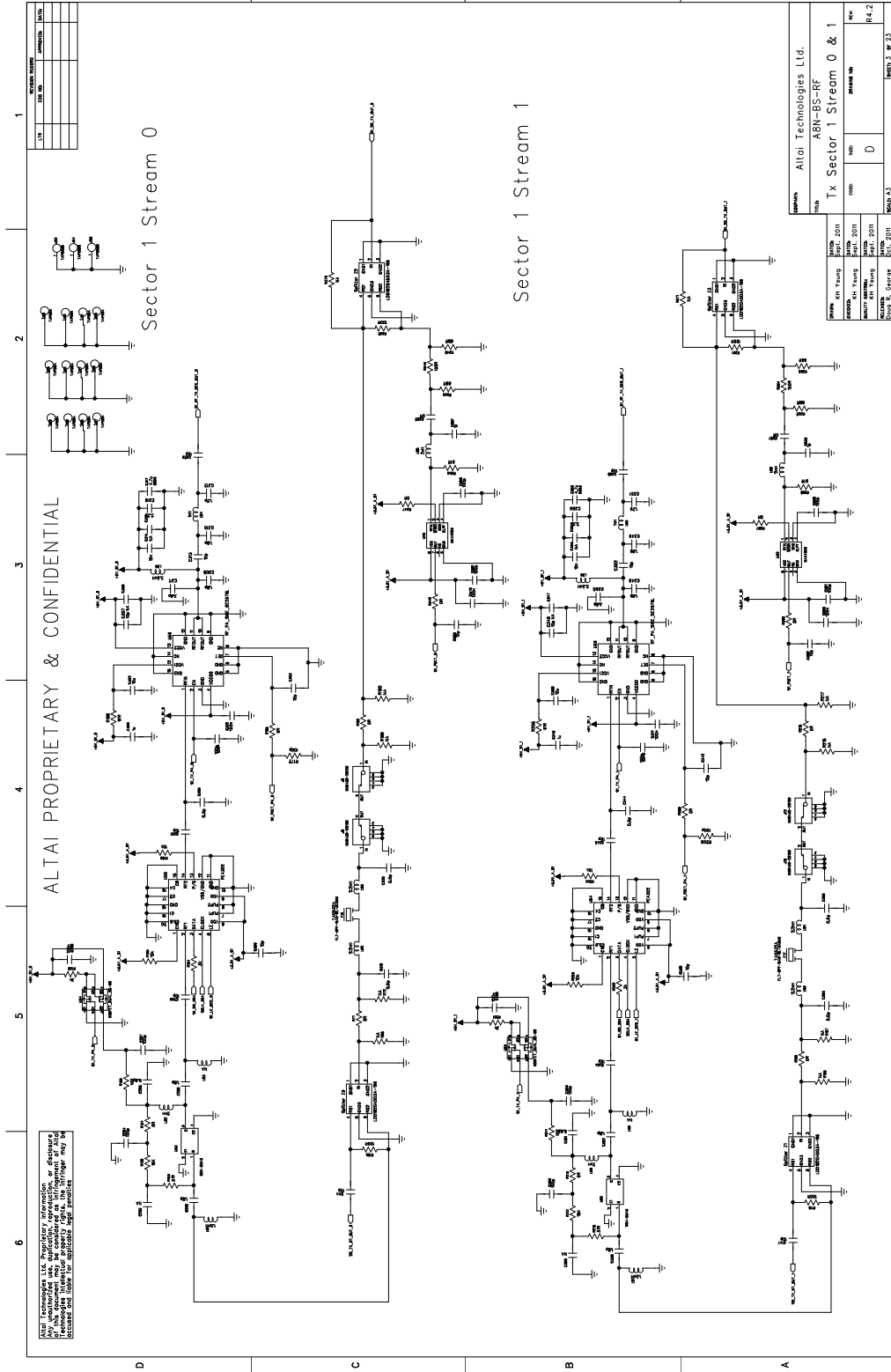
ALTAI Technologies Ltd. – CONFIDENTIAL

ALTAI Technologies Ltd. Proprietary Information
 of this document is the property of ALTAI Technologies Ltd.
 and is disclosed only to authorized personnel.
 May be disclosed only for specific legal purposes.

COMPANY:		PROJECT:		DATE:	
ALTAI Technologies Ltd.		ABN-BS-RF		2011-10-20	
TITLE:		PART NO.		REV.	
ABN WiFi BaseStation RF PCB		ABN WiFi BaseStation RF PCB		R1.2	
DATE:	ISSUED:	DATE:	ISSUED:	DATE:	ISSUED:
DESIGNER:	CHECKED:	DATE:	DATE:	DATE:	DATE:
SCALE:	SCALE:	SCALE:	SCALE:	SCALE:	SCALE:

ALL INFORMATION CONTAINED HEREIN IS UNCLASSIFIED EXCEPT WHERE SHOWN OTHERWISE. IT IS THE PROPERTY OF ALTAI TECHNOLOGIES LTD. AND IS LOANED TO YOU BY THE NATIONAL ARCHIVES. IT IS TO BE REPRODUCED AND TRANSMITTED IN ANY FORM OR BY ANY MEANS, ELECTRONIC OR MECHANICAL, INCLUDING PHOTOCOPYING, RECORDING, OR BY ANY INFORMATION STORAGE AND RETRIEVAL SYSTEM, WITHOUT PERMISSION IN WRITING FROM THE NATIONAL ARCHIVES.

ALTAI PROPRIETARY & CONFIDENTIAL



REV.	DATE	BY	CHKD.	REVISIONS	DATE

Sector 1 Stream 0

Sector 1 Stream 1

REV.	DATE	BY	CHKD.	REVISIONS	DATE

REV.	DATE	BY	CHKD.	REVISIONS	DATE

REV.	DATE	BY	CHKD.	REVISIONS	DATE

REV.	DATE	BY	CHKD.	REVISIONS	DATE

REV.	DATE	BY	CHKD.	REVISIONS	DATE

REV.	DATE	BY	CHKD.	REVISIONS	DATE

REV.	DATE	BY	CHKD.	REVISIONS	DATE

REV.	DATE	BY	CHKD.	REVISIONS	DATE

REV.	DATE	BY	CHKD.	REVISIONS	DATE

REV.	DATE	BY	CHKD.	REVISIONS	DATE

REV.	DATE	BY	CHKD.	REVISIONS	DATE

REV.	DATE	BY	CHKD.	REVISIONS	DATE

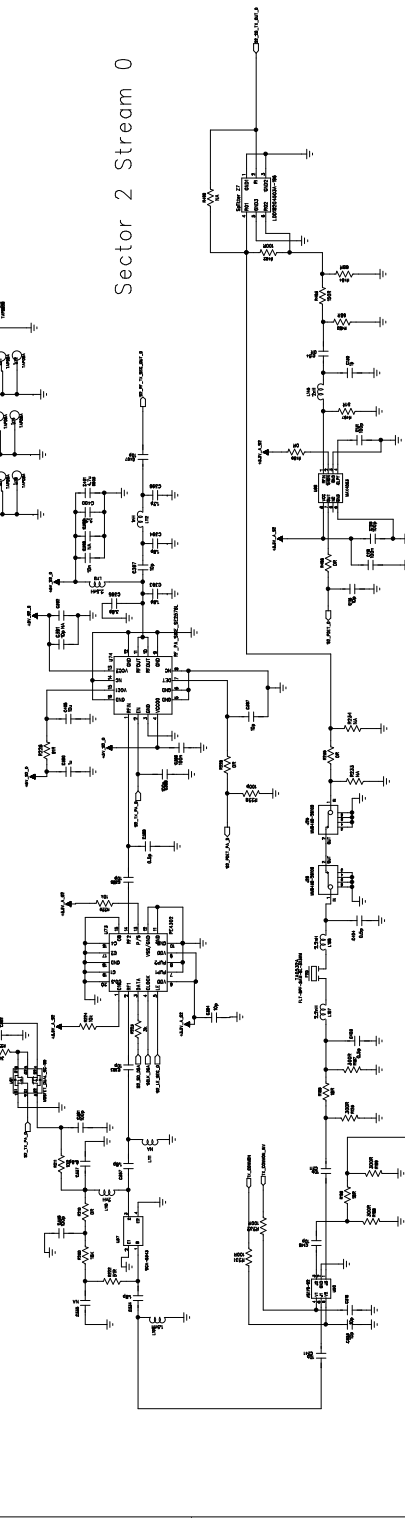
Page 3 of 23

All information is confidential, proprietary, or otherwise subject to legal protection. It is to be controlled and disseminated only to those personnel who have a need to know for specific legal purposes.

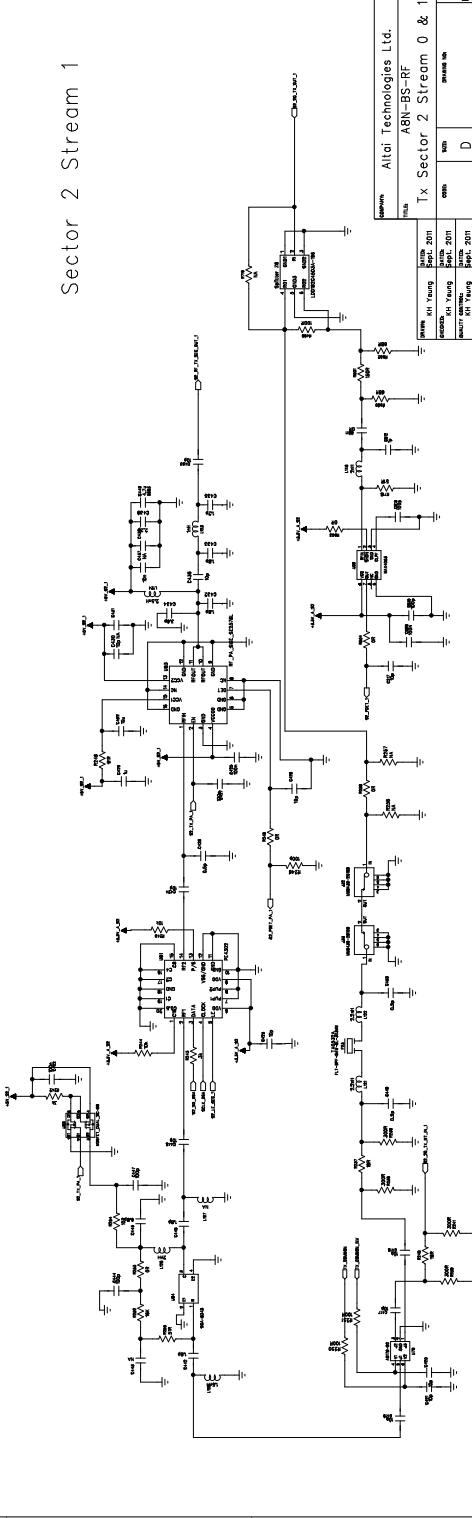
ALTAI PROPRIETARY & CONFIDENTIAL

REVISION RECORD	
REV.	DESCRIPTION

Sector 2 Stream 0



Sector 2 Stream 1



COMPANY		DATE		REV.	
Altai Technologies Ltd.		Tx Sector 2 Stream 0 & 1		R4.2	
DESIGNER	DATE	APP'D	DATE	REV.	DESCRIPTION
Wong P. George	10/12/2011			D	

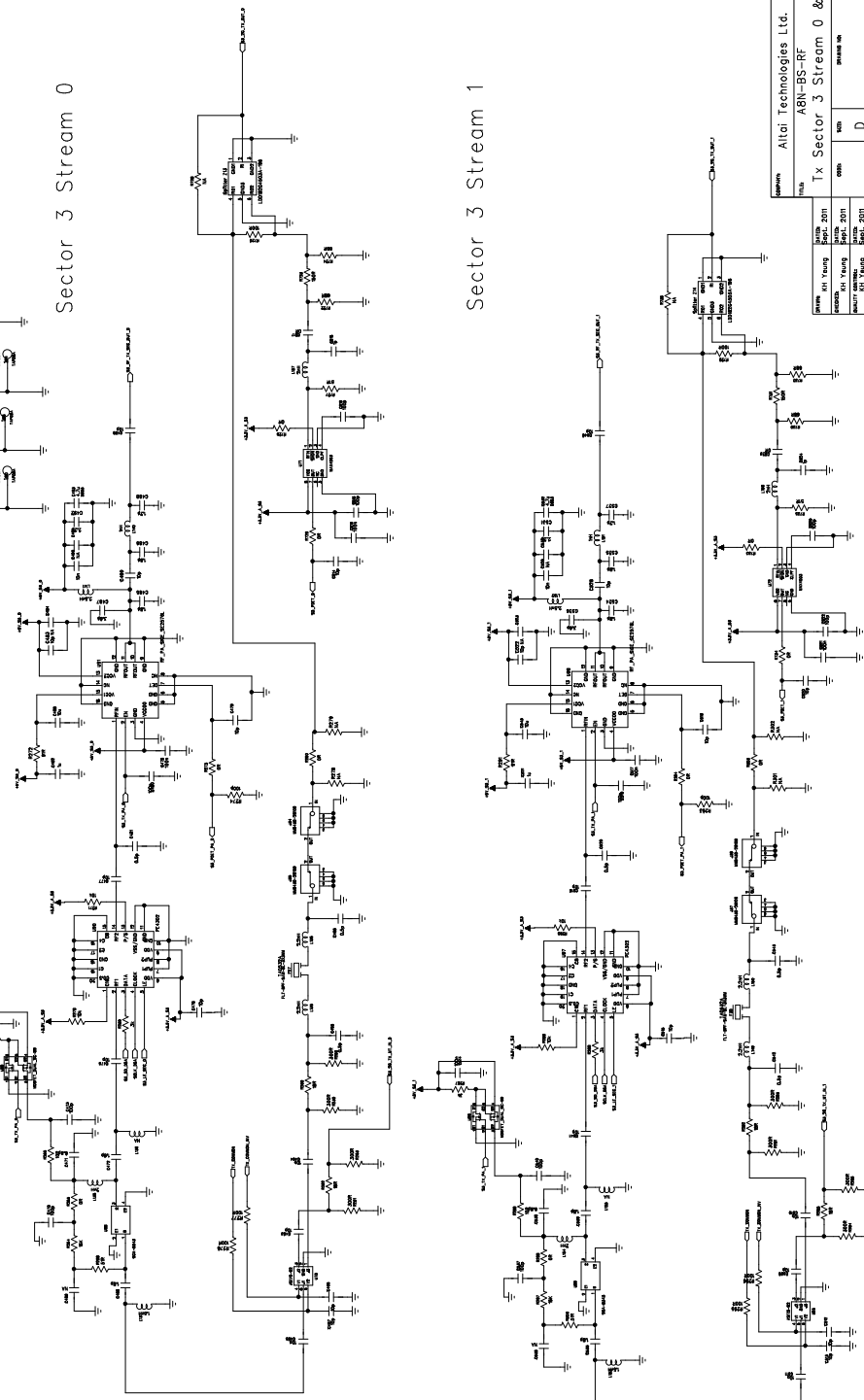
Sheet 4 of 22

Altai Technologies Ltd. Proprietary Information.
If this document were to be considered as confidential to Altai
Technologies Ltd. the recipient is notified that disclosing, copying,
reproducing, disseminating, taking, relying on,
acting on or otherwise using the information in
this document is strictly prohibited.

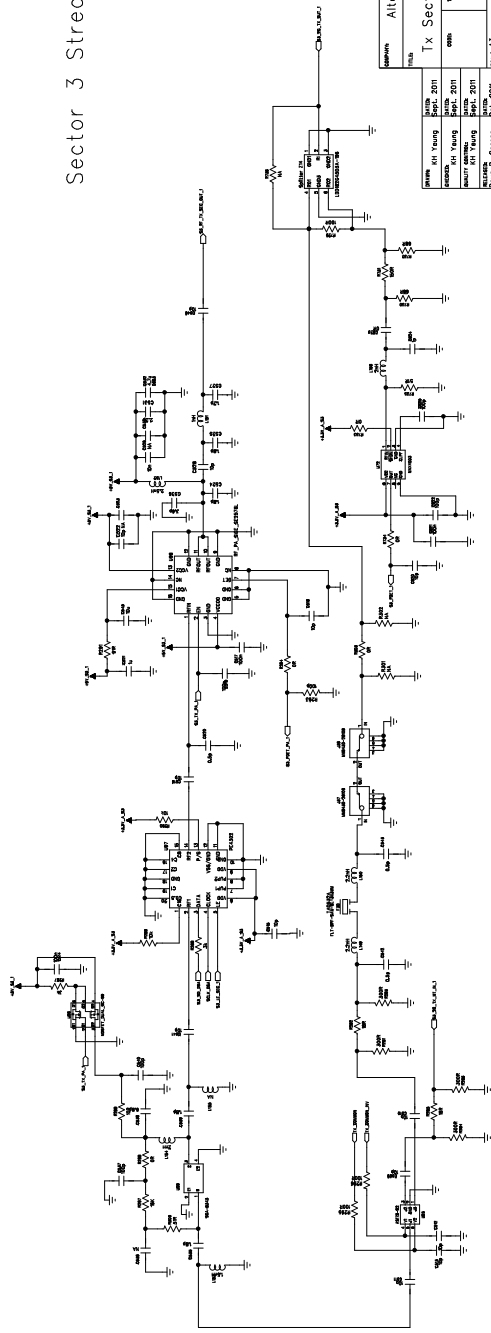
ALTAI PROPRIETARY & CONFIDENTIAL

REVISED RECORD	
REV.	DATE

Sector 3 Stream 0



Sector 3 Stream 1



REVISED RECORD	
REV.	DATE

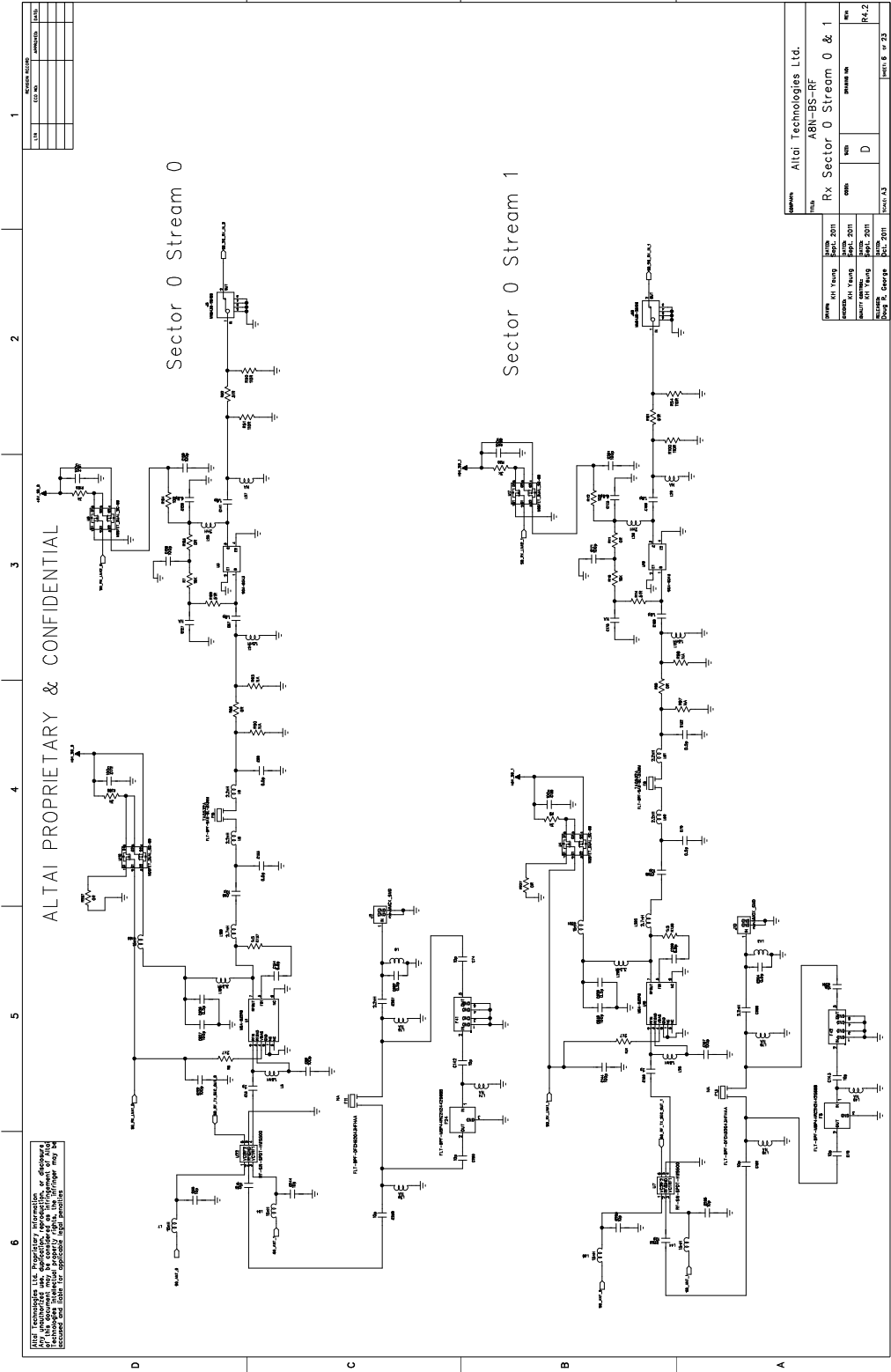
COMPANY			
Altai Technologies Ltd.			
ABN-BS-RF			
Tx Sector 3 Stream 0 & 1			
DATE	BY	REV	REASON
11/12/2011	Wong P. Cheong	D	
11/12/2011	Wong P. Cheong	D	
11/12/2011	Wong P. Cheong	D	
11/12/2011	Wong P. Cheong	D	

Sheet 5 of 22

ALL INFORMATION IS PROPRIETARY INFORMATION.
 IT IS UNLAWFUL TO REPRODUCE, TRANSMIT, OR DISSEMINATE
 THIS INFORMATION IN ANY MANNER WITHOUT THE WRITTEN
 PERMISSION OF THE PROPRIETOR. ANY VIOLATION MAY BE
 PROSECUTED AND PENALTIES ASSESSABLE.

ALLTAI PROPRIETARY & CONFIDENTIAL

REVISION RECORD		
REV.	REV. NO.	REVISIONS



Sector 0 Stream 0

Sector 0 Stream 1

COMPANY			PROJECT		
Alltai Technologies Ltd.			Rx Sector 0 Stream 0 & 1		
DESIGNER	DATE	REV.	DATE	REV.	BY
AI Young	2011	1	2011	1	AI Young
AI Young	2011	2	2011	2	AI Young
AI Young	2011	3	2011	3	AI Young
AI Young	2011	4	2011	4	AI Young
AI Young	2011	5	2011	5	AI Young
AI Young	2011	6	2011	6	AI Young
AI Young	2011	7	2011	7	AI Young
AI Young	2011	8	2011	8	AI Young
AI Young	2011	9	2011	9	AI Young
AI Young	2011	10	2011	10	AI Young
AI Young	2011	11	2011	11	AI Young
AI Young	2011	12	2011	12	AI Young
AI Young	2011	13	2011	13	AI Young
AI Young	2011	14	2011	14	AI Young
AI Young	2011	15	2011	15	AI Young
AI Young	2011	16	2011	16	AI Young
AI Young	2011	17	2011	17	AI Young
AI Young	2011	18	2011	18	AI Young
AI Young	2011	19	2011	19	AI Young
AI Young	2011	20	2011	20	AI Young
AI Young	2011	21	2011	21	AI Young
AI Young	2011	22	2011	22	AI Young
AI Young	2011	23	2011	23	AI Young
AI Young	2011	24	2011	24	AI Young
AI Young	2011	25	2011	25	AI Young
AI Young	2011	26	2011	26	AI Young
AI Young	2011	27	2011	27	AI Young
AI Young	2011	28	2011	28	AI Young
AI Young	2011	29	2011	29	AI Young
AI Young	2011	30	2011	30	AI Young
AI Young	2011	31	2011	31	AI Young
AI Young	2011	32	2011	32	AI Young
AI Young	2011	33	2011	33	AI Young
AI Young	2011	34	2011	34	AI Young
AI Young	2011	35	2011	35	AI Young
AI Young	2011	36	2011	36	AI Young
AI Young	2011	37	2011	37	AI Young
AI Young	2011	38	2011	38	AI Young
AI Young	2011	39	2011	39	AI Young
AI Young	2011	40	2011	40	AI Young
AI Young	2011	41	2011	41	AI Young
AI Young	2011	42	2011	42	AI Young
AI Young	2011	43	2011	43	AI Young
AI Young	2011	44	2011	44	AI Young
AI Young	2011	45	2011	45	AI Young
AI Young	2011	46	2011	46	AI Young
AI Young	2011	47	2011	47	AI Young
AI Young	2011	48	2011	48	AI Young
AI Young	2011	49	2011	49	AI Young
AI Young	2011	50	2011	50	AI Young
AI Young	2011	51	2011	51	AI Young
AI Young	2011	52	2011	52	AI Young
AI Young	2011	53	2011	53	AI Young
AI Young	2011	54	2011	54	AI Young
AI Young	2011	55	2011	55	AI Young
AI Young	2011	56	2011	56	AI Young
AI Young	2011	57	2011	57	AI Young
AI Young	2011	58	2011	58	AI Young
AI Young	2011	59	2011	59	AI Young
AI Young	2011	60	2011	60	AI Young
AI Young	2011	61	2011	61	AI Young
AI Young	2011	62	2011	62	AI Young
AI Young	2011	63	2011	63	AI Young
AI Young	2011	64	2011	64	AI Young
AI Young	2011	65	2011	65	AI Young
AI Young	2011	66	2011	66	AI Young
AI Young	2011	67	2011	67	AI Young
AI Young	2011	68	2011	68	AI Young
AI Young	2011	69	2011	69	AI Young
AI Young	2011	70	2011	70	AI Young
AI Young	2011	71	2011	71	AI Young
AI Young	2011	72	2011	72	AI Young
AI Young	2011	73	2011	73	AI Young
AI Young	2011	74	2011	74	AI Young
AI Young	2011	75	2011	75	AI Young
AI Young	2011	76	2011	76	AI Young
AI Young	2011	77	2011	77	AI Young
AI Young	2011	78	2011	78	AI Young
AI Young	2011	79	2011	79	AI Young
AI Young	2011	80	2011	80	AI Young
AI Young	2011	81	2011	81	AI Young
AI Young	2011	82	2011	82	AI Young
AI Young	2011	83	2011	83	AI Young
AI Young	2011	84	2011	84	AI Young
AI Young	2011	85	2011	85	AI Young
AI Young	2011	86	2011	86	AI Young
AI Young	2011	87	2011	87	AI Young
AI Young	2011	88	2011	88	AI Young
AI Young	2011	89	2011	89	AI Young
AI Young	2011	90	2011	90	AI Young
AI Young	2011	91	2011	91	AI Young
AI Young	2011	92	2011	92	AI Young
AI Young	2011	93	2011	93	AI Young
AI Young	2011	94	2011	94	AI Young
AI Young	2011	95	2011	95	AI Young
AI Young	2011	96	2011	96	AI Young
AI Young	2011	97	2011	97	AI Young
AI Young	2011	98	2011	98	AI Young
AI Young	2011	99	2011	99	AI Young
AI Young	2011	100	2011	100	AI Young

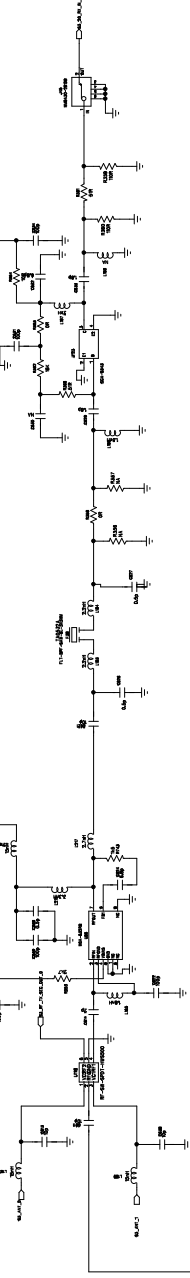
Page 13 of 22

ALL INFORMATION IS PROPRIETARY INFORMATION.
It is unauthorized to disseminate, reproduce, or otherwise
use this information in any manner without the express
written consent of Alltai Technologies Ltd. All rights reserved.

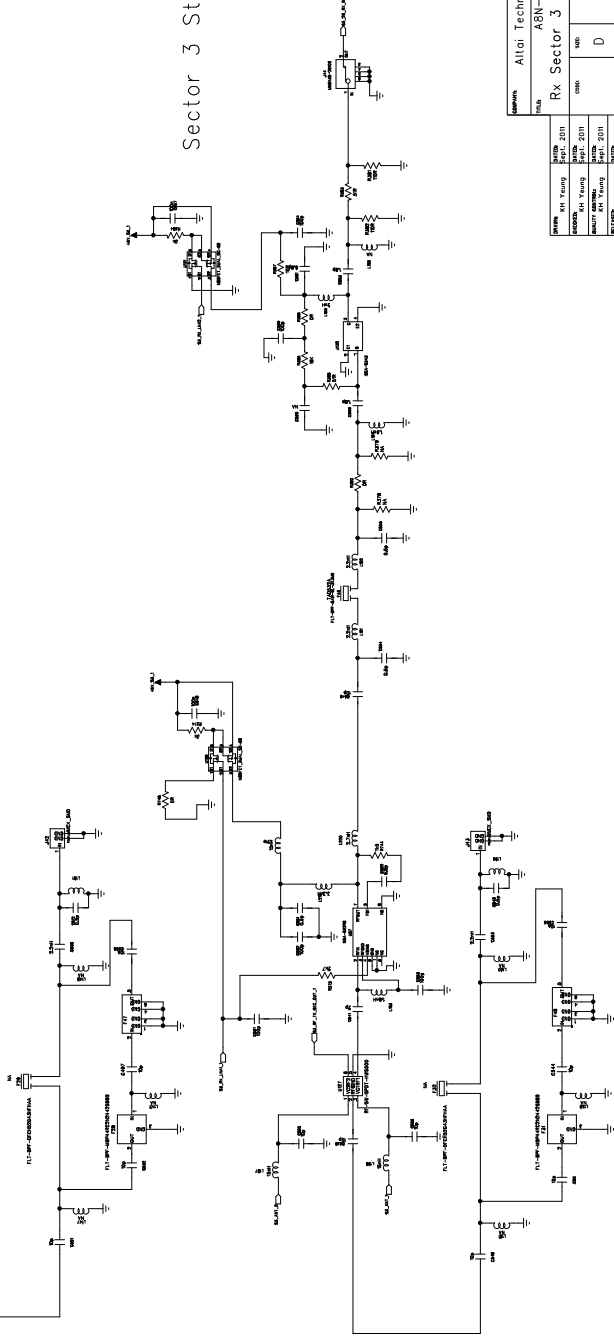
ALTAI PROPRIETARY & CONFIDENTIAL

REVISION HISTORY	
REV.	DESCRIPTION

Sector 3 Stream 0



Sector 3 Stream 1



COMPANY		
NAME	ALTAI Technologies Ltd.	
PARTS LIST		
Q101	2N2222	1
Q102	2N2222	1
Q103	2N2222	1
Q104	2N2222	1
Q105	2N2222	1
Q106	2N2222	1
Q107	2N2222	1
Q108	2N2222	1
Q109	2N2222	1
Q110	2N2222	1
Q111	2N2222	1
Q112	2N2222	1
Q113	2N2222	1
Q114	2N2222	1
Q115	2N2222	1
Q116	2N2222	1
Q117	2N2222	1
Q118	2N2222	1
Q119	2N2222	1
Q120	2N2222	1
Q121	2N2222	1
Q122	2N2222	1
Q123	2N2222	1
Q124	2N2222	1
Q125	2N2222	1
Q126	2N2222	1
Q127	2N2222	1
Q128	2N2222	1
Q129	2N2222	1
Q130	2N2222	1
Q131	2N2222	1
Q132	2N2222	1
Q133	2N2222	1
Q134	2N2222	1
Q135	2N2222	1
Q136	2N2222	1
Q137	2N2222	1
Q138	2N2222	1
Q139	2N2222	1
Q140	2N2222	1
Q141	2N2222	1
Q142	2N2222	1
Q143	2N2222	1
Q144	2N2222	1
Q145	2N2222	1
Q146	2N2222	1
Q147	2N2222	1
Q148	2N2222	1
Q149	2N2222	1
Q150	2N2222	1
Q151	2N2222	1
Q152	2N2222	1
Q153	2N2222	1
Q154	2N2222	1
Q155	2N2222	1
Q156	2N2222	1
Q157	2N2222	1
Q158	2N2222	1
Q159	2N2222	1
Q160	2N2222	1
Q161	2N2222	1
Q162	2N2222	1
Q163	2N2222	1
Q164	2N2222	1
Q165	2N2222	1
Q166	2N2222	1
Q167	2N2222	1
Q168	2N2222	1
Q169	2N2222	1
Q170	2N2222	1
Q171	2N2222	1
Q172	2N2222	1
Q173	2N2222	1
Q174	2N2222	1
Q175	2N2222	1
Q176	2N2222	1
Q177	2N2222	1
Q178	2N2222	1
Q179	2N2222	1
Q180	2N2222	1
Q181	2N2222	1
Q182	2N2222	1
Q183	2N2222	1
Q184	2N2222	1
Q185	2N2222	1
Q186	2N2222	1
Q187	2N2222	1
Q188	2N2222	1
Q189	2N2222	1
Q190	2N2222	1
Q191	2N2222	1
Q192	2N2222	1
Q193	2N2222	1
Q194	2N2222	1
Q195	2N2222	1
Q196	2N2222	1
Q197	2N2222	1
Q198	2N2222	1
Q199	2N2222	1
Q200	2N2222	1
Q201	2N2222	1
Q202	2N2222	1
Q203	2N2222	1
Q204	2N2222	1
Q205	2N2222	1
Q206	2N2222	1
Q207	2N2222	1
Q208	2N2222	1
Q209	2N2222	1
Q210	2N2222	1
Q211	2N2222	1
Q212	2N2222	1
Q213	2N2222	1
Q214	2N2222	1
Q215	2N2222	1
Q216	2N2222	1
Q217	2N2222	1
Q218	2N2222	1
Q219	2N2222	1
Q220	2N2222	1
Q221	2N2222	1
Q222	2N2222	1
Q223	2N2222	1
Q224	2N2222	1
Q225	2N2222	1
Q226	2N2222	1
Q227	2N2222	1
Q228	2N2222	1
Q229	2N2222	1
Q230	2N2222	1
Q231	2N2222	1
Q232	2N2222	1
Q233	2N2222	1
Q234	2N2222	1
Q235	2N2222	1
Q236	2N2222	1
Q237	2N2222	1
Q238	2N2222	1
Q239	2N2222	1
Q240	2N2222	1
Q241	2N2222	1
Q242	2N2222	1
Q243	2N2222	1
Q244	2N2222	1
Q245	2N2222	1
Q246	2N2222	1
Q247	2N2222	1
Q248	2N2222	1
Q249	2N2222	1
Q250	2N2222	1
Q251	2N2222	1
Q252	2N2222	1
Q253	2N2222	1
Q254	2N2222	1
Q255	2N2222	1
Q256	2N2222	1
Q257	2N2222	1
Q258	2N2222	1
Q259	2N2222	1
Q260	2N2222	1
Q261	2N2222	1
Q262	2N2222	1
Q263	2N2222	1
Q264	2N2222	1
Q265	2N2222	1
Q266	2N2222	1
Q267	2N2222	1
Q268	2N2222	1
Q269	2N2222	1
Q270	2N2222	1
Q271	2N2222	1
Q272	2N2222	1
Q273	2N2222	1
Q274	2N2222	1
Q275	2N2222	1
Q276	2N2222	1
Q277	2N2222	1
Q278	2N2222	1
Q279	2N2222	1
Q280	2N2222	1
Q281	2N2222	1
Q282	2N2222	1
Q283	2N2222	1
Q284	2N2222	1
Q285	2N2222	1
Q286	2N2222	1
Q287	2N2222	1
Q288	2N2222	1
Q289	2N2222	1
Q290	2N2222	1
Q291	2N2222	1
Q292	2N2222	1
Q293	2N2222	1
Q294	2N2222	1
Q295	2N2222	1
Q296	2N2222	1
Q297	2N2222	1
Q298	2N2222	1
Q299	2N2222	1
Q300	2N2222	1
Q301	2N2222	1
Q302	2N2222	1
Q303	2N2222	1
Q304	2N2222	1
Q305	2N2222	1
Q306	2N2222	1
Q307	2N2222	1
Q308	2N2222	1
Q309	2N2222	1
Q310	2N2222	1
Q311	2N2222	1
Q312	2N2222	1
Q313	2N2222	1
Q314	2N2222	1
Q315	2N2222	1
Q316	2N2222	1
Q317	2N2222	1
Q318	2N2222	1
Q319	2N2222	1
Q320	2N2222	1
Q321	2N2222	1
Q322	2N2222	1
Q323	2N2222	1
Q324	2N2222	1
Q325	2N2222	1
Q326	2N2222	1
Q327	2N2222	1
Q328	2N2222	1
Q329	2N2222	1
Q330	2N2222	1
Q331	2N2222	1
Q332	2N2222	1
Q333	2N2222	1
Q334	2N2222	1
Q335	2N2222	1
Q336	2N2222	1
Q337	2N2222	1
Q338	2N2222	1
Q339	2N2222	1
Q340	2N2222	1
Q341	2N2222	1
Q342	2N2222	1
Q343	2N2222	1
Q344	2N2222	1
Q345	2N2222	1
Q346	2N2222	1
Q347	2N2222	1
Q348	2N2222	1
Q349	2N2222	1
Q350	2N2222	1
Q351	2N2222	1
Q352	2N2222	1
Q353	2N2222	1
Q354	2N2222	1
Q355	2N2222	1
Q356	2N2222	1
Q357	2N2222	1
Q358	2N2222	1
Q359	2N2222	1
Q360	2N2222	1
Q361	2N2222	1
Q362	2N2222	1
Q363	2N2222	1
Q364	2N2222	1
Q365	2N2222	1
Q366	2N2222	1
Q367	2N2222	1
Q368	2N2222	1
Q369	2N2222	1
Q370	2N2222	1
Q371	2N2222	1
Q372	2N2222	1
Q373	2N2222	1
Q374	2N2222	1
Q375	2N2222	1
Q376	2N2222	1
Q377	2N2222	1
Q378	2N2222	1
Q379	2N2222	1
Q380	2N2222	1
Q381	2N2222	1
Q382	2N2222	1
Q383	2N2222	1
Q384	2N2222	1
Q385	2N2222	1
Q386	2N2222	1
Q387	2N2222	1
Q388	2N2222	1
Q389	2N2222	1
Q390	2N2222	1
Q391	2N2222	1
Q392	2N2222	1
Q393	2N2222	1
Q394	2N2222	1
Q395	2N2222	1
Q396	2N2222	1
Q397	2N2222	1
Q398	2N2222	1
Q399	2N2222	1
Q400	2N2222	1
Q401	2N2222	1
Q402	2N2222	1
Q403	2N2222	1
Q404	2N2222	1
Q405	2N2222	1
Q406	2N2222	1
Q407	2N2222	1
Q408	2N2222	1
Q409	2N2222	1
Q410	2N2222	1
Q411	2N2222	1
Q412	2N2222	1
Q413	2N2222	1
Q414	2N2222	1
Q415	2N2222	1
Q416	2N2222	1
Q417	2N2222	1
Q418	2N2222	1
Q419	2N2222	1
Q420	2N2222	1
Q421	2N2222	1
Q422	2N2222	1
Q423	2N2222	1
Q424	2N2222	1
Q425	2N2222	1
Q426	2N2222	1
Q427	2N2222	1
Q428	2N2222	1
Q429	2N2222	1
Q430	2N2222	1
Q431	2N2222	1
Q432	2N2222	1
Q433	2N2222	1
Q434	2N2222	1
Q435	2N2222	1
Q436	2N2222	1
Q437	2N2222	1
Q438	2N2222	1
Q439	2N2222	1
Q440	2N2222	1
Q441	2N2222	1
Q442	2N2222	1
Q443	2N2222	1
Q444	2N2222	1
Q445	2N2222	1
Q446	2N2222	1
Q447	2N2222	1
Q448	2N2222	1
Q449	2N2222	1
Q450	2N2222	1
Q451	2N2222	1
Q452	2N2222	1
Q453	2N2222	1
Q454	2N2222	1
Q455	2N2222	1
Q456	2N2222	1
Q457	2N2222	1
Q458	2N2222	1
Q459	2N2222	1
Q460	2N2222	1
Q461	2N2222	1
Q462	2N2222	1
Q463	2N2222	1
Q464	2N2222	1
Q465	2N2222	1
Q466	2N2222	1
Q467	2N2222	1
Q468	2N2222	1
Q469	2N2222	1
Q470	2N2222	1
Q471	2N2222	1
Q472	2N2222	1
Q473	2N2222	1
Q474	2N2222	1
Q475	2N2222	1
Q476	2N2222	1
Q477	2N2222	1
Q478	2N2222	1
Q479	2N2222	1
Q480	2N2222	1
Q481	2N2222	1
Q482	2N2222	1
Q483	2N2222	1
Q484	2N2222	1
Q485	2N2222	1
Q486	2N2222	1
Q487	2N2222	1
Q488		

Altai Technologies Ltd. Proprietary Information.
 An unauthorised disclosure, reproduction, dissemination,
 modification or use of this document or its contents is
 prohibited. Infractors are liable for all consequences.
 Approved for Release by Altai on 10/02/2011

6

5

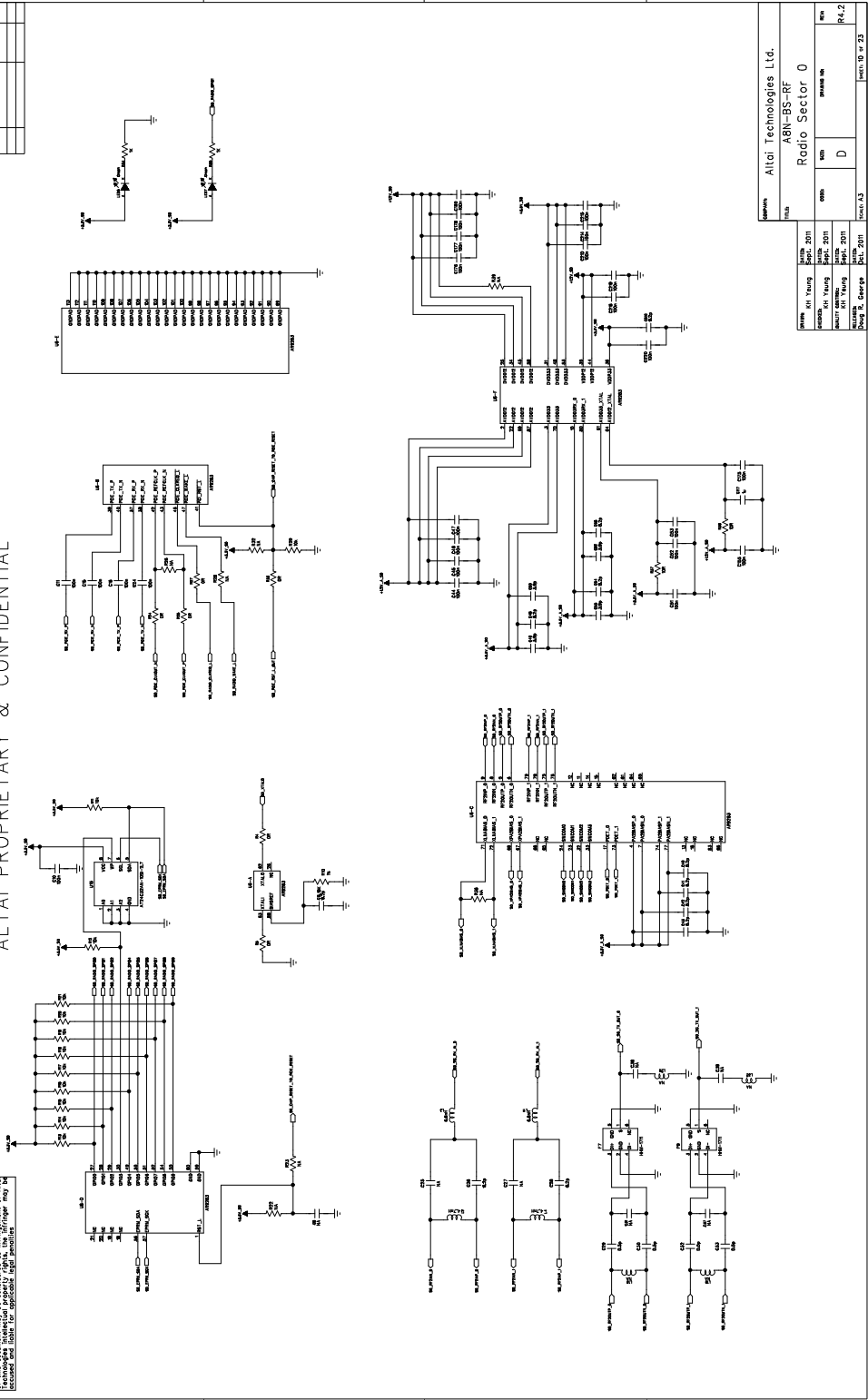
4

3

2

1

ALTAI PROPRIETARY & CONFIDENTIAL



REVISE		Altai Technologies Ltd.	
DATE	BY	DATE	BY
2011.01.13	Wong P. George	2011.01.13	Wong P. George
DESIGNED BY: Hui Young		DESIGNED BY: Hui Young	
CHECKED BY: Hui Young		CHECKED BY: Hui Young	
DRAWN BY: Hui Young		DRAWN BY: Hui Young	
DATE: 2011.01.13		DATE: 2011.01.13	
SCALE: R4.2		SCALE: R4.2	
REV: 0		REV: 0	
D		D	
Radio Sector 0		Radio Sector 0	
Altai Technologies Ltd.		Altai Technologies Ltd.	

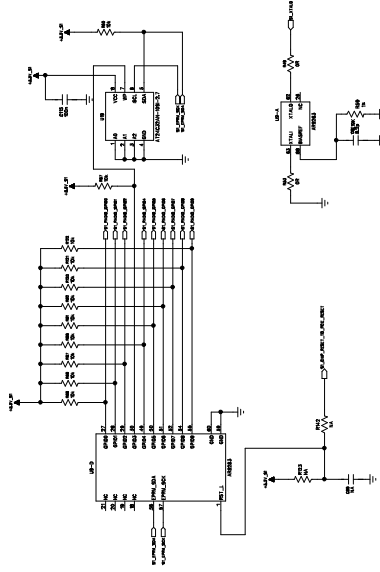
Sheet 15 of 22

6

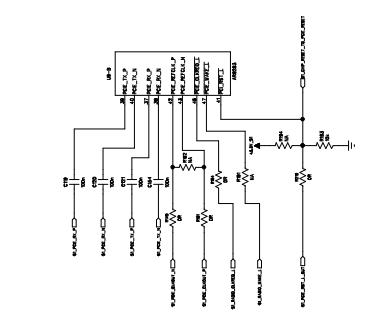
ALL INFORMATION IS PROPRIETARY INFORMATION.
IT IS UNLAWFUL TO DISSEMINATE, REPRODUCE, OR OTHERWISE
DISTRIBUTE THIS INFORMATION WITHOUT THE WRITTEN
CONSENT OF THE ISSUING OFFICE. VIOLATION OF THIS
STATEMENT IS SUBJECT TO PROSECUTION AND PENALTY.

ALTAI PROPRIETARY & CONFIDENTIAL

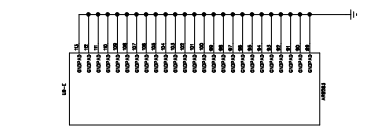
5



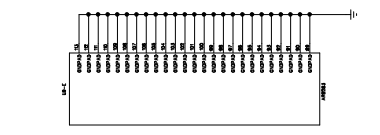
4



3



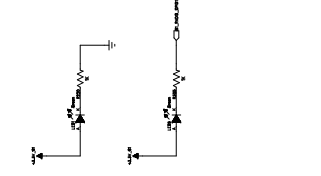
2



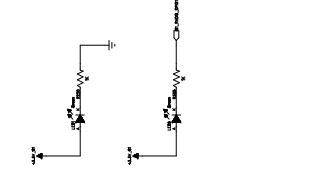
1

REV.	DESCRIPTION	DATE

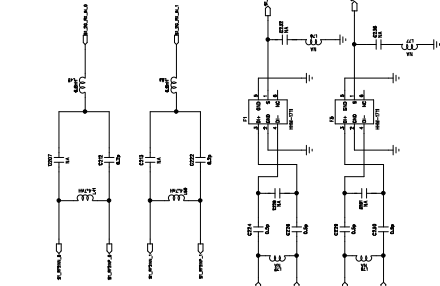
D



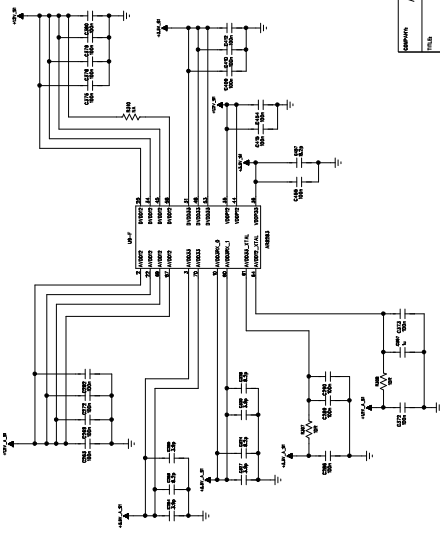
C



B



A

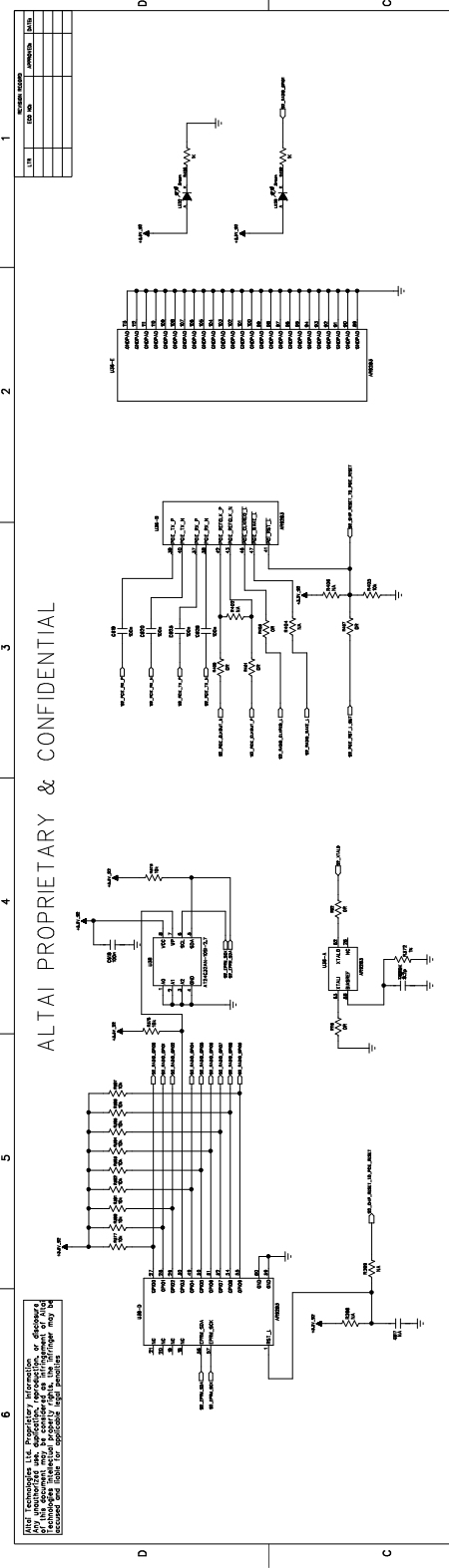


A

COMPANY	Altai Technologies Ltd.
DATE	11/19/2011
PROJECT	ASB-BS-RF
DRAWING NO.	Radio Sector 1
REV.	R4.2
DATE	11/19/2011
DESIGNED BY	Yi Wang
CHECKED BY	Yi Wang
APPROVED BY	Yi Wang
DRAWN BY	Yi Wang
SCALE	1:1
SHEET NO.	11 of 23

ALL RIGHTS RESERVED. This document contains proprietary information of Altai Technologies Ltd. It is not to be distributed outside the company or its authorized distributors. Any unauthorized use, reproduction, modification, or distribution of this document is strictly prohibited. This document may be controlled under applicable laws and regulations.

ALTAI PROPRIETARY & CONFIDENTIAL



REVISIONS	
NO.	DESCRIPTION
1	
2	
3	
4	
5	
6	

APPROVED			
DATE	BY	DATE	BY
15/01/2011	Y. Wang	15/01/2011	Y. Wang
15/01/2011	Y. Wang	15/01/2011	Y. Wang
15/01/2011	Y. Wang	15/01/2011	Y. Wang
15/01/2011	Y. Wang	15/01/2011	Y. Wang

COMPANY			
NAME	ADDRESS	PHONE NO.	FAX
Altai Technologies Ltd.	Altai BS-RF		
Radio Sector 2			
DESIGNER	DRAWN BY	CHECK	DATE
Y. Wang		D	15/01/2011
REV	REV. NO.	REV. DATE	
R4.2			
SHEET 12			OF 23

Altai Technologies LLC. Proprietary Information.
 An unclassified data, information, knowledge, or technology that is not generally known or readily ascertainable by the public and is not otherwise generally available to the public.

ALTAI PROPRIETARY & CONFIDENTIAL

REVISION NUMBER	
1	ISSUED
2	REVISED
3	REVISED
4	REVISED
5	REVISED
6	REVISED

6

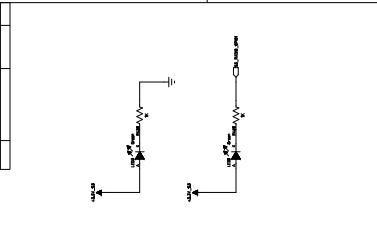
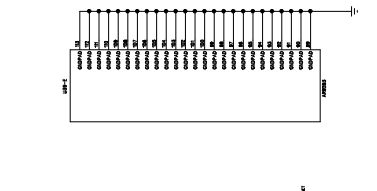
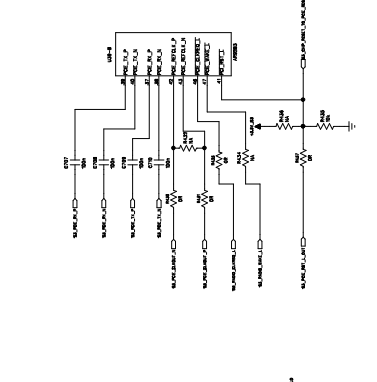
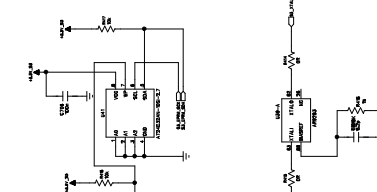
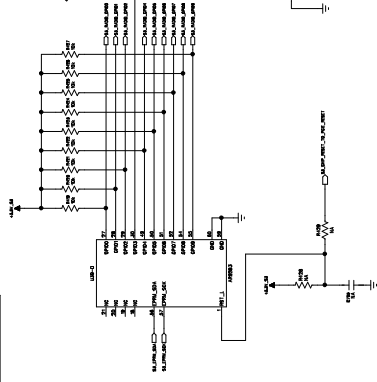
5

4

3

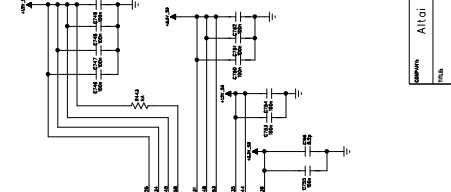
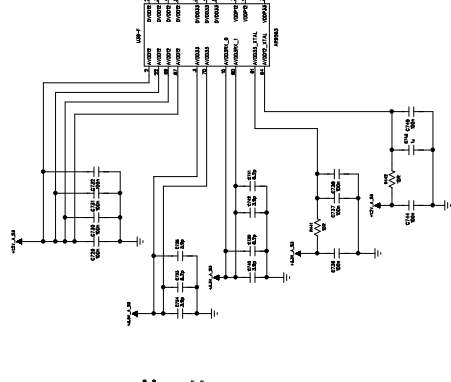
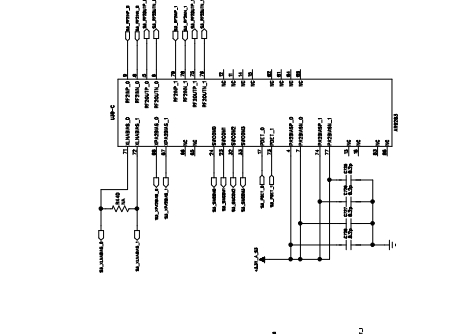
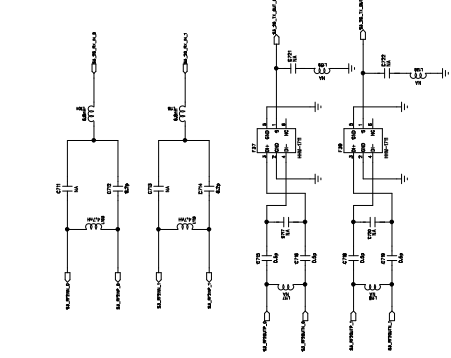
2

1



D

C



D

C

B

A

REVISION NUMBER	
1	ISSUED
2	REVISED
3	REVISED
4	REVISED
5	REVISED
6	REVISED

DATE	BY	REASON
2011-01-10	Y. Yang	Initial
2011-01-10	Y. Yang	Revise
2011-01-10	Y. Yang	Revise
2011-01-10	Y. Yang	Revise
2011-01-10	Y. Yang	Revise
2011-01-10	Y. Yang	Revise

DATE	BY	REASON
2011-01-10	Y. Yang	Initial
2011-01-10	Y. Yang	Revise
2011-01-10	Y. Yang	Revise
2011-01-10	Y. Yang	Revise
2011-01-10	Y. Yang	Revise
2011-01-10	Y. Yang	Revise

DATE	BY	REASON
2011-01-10	Y. Yang	Initial
2011-01-10	Y. Yang	Revise
2011-01-10	Y. Yang	Revise
2011-01-10	Y. Yang	Revise
2011-01-10	Y. Yang	Revise
2011-01-10	Y. Yang	Revise

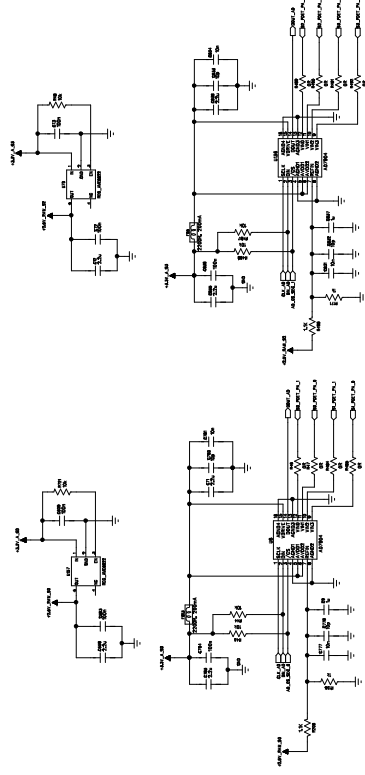
DATE	BY	REASON
2011-01-10	Y. Yang	Initial
2011-01-10	Y. Yang	Revise
2011-01-10	Y. Yang	Revise
2011-01-10	Y. Yang	Revise
2011-01-10	Y. Yang	Revise
2011-01-10	Y. Yang	Revise

DATE	BY	REASON
2011-01-10	Y. Yang	Initial
2011-01-10	Y. Yang	Revise
2011-01-10	Y. Yang	Revise
2011-01-10	Y. Yang	Revise
2011-01-10	Y. Yang	Revise
2011-01-10	Y. Yang	Revise

A

ALL INFORMATION IS UNCLASSIFIED UNLESS INDICATED OTHERWISE.
 ANY INFORMATION NOT APPROVED, REPRODUCED, OR DISCLOSED
 HEREON IS UNCLASSIFIED AND IS THE PROPERTY OF ALLTAI
 TECHNOLOGIES LTD. OR ITS AFFILIATED COMPANIES.

ALTAI PROPRIETARY AND CONFIDENTIAL



Company: Alltai Technologies Ltd.				Page: 14 of 22	
Title: ARN-BS-RF				Sheet No: R4.2	
Project: SECTOR ADC				Rev: 1	
Design: HJ Yeung	Check: HJ Yeung	Drawn: HJ Yeung	Scale: 1:1	Version: 1	Rev: R4.2
Approved: HJ Yeung	Checked: HJ Yeung	Drawn: HJ Yeung	Scale: 1:1	Version: 1	Rev: R4.2
Author: HJ Yeung	Checked: HJ Yeung	Drawn: HJ Yeung	Scale: 1:1	Version: 1	Rev: R4.2
Approved: HJ Yeung	Checked: HJ Yeung	Drawn: HJ Yeung	Scale: 1:1	Version: 1	Rev: R4.2
Author: HJ Yeung	Checked: HJ Yeung	Drawn: HJ Yeung	Scale: 1:1	Version: 1	Rev: R4.2
Approved: HJ Yeung	Checked: HJ Yeung	Drawn: HJ Yeung	Scale: 1:1	Version: 1	Rev: R4.2
Author: HJ Yeung	Checked: HJ Yeung	Drawn: HJ Yeung	Scale: 1:1	Version: 1	Rev: R4.2
Approved: HJ Yeung	Checked: HJ Yeung	Drawn: HJ Yeung	Scale: 1:1	Version: 1	Rev: R4.2

ALTAI PROPRIETARY AND CONFIDENTIAL

REV.	DATE	BY	REVISION

1

2

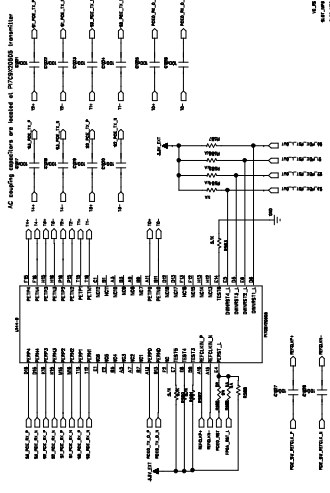
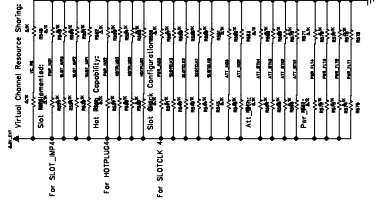
3

4

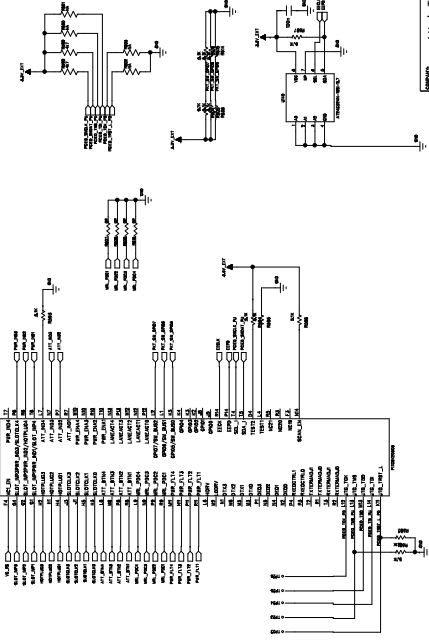
5

6

ALTAI TECHNOLOGIES LTD. PROPRIETARY INFORMATION.
 ANY UNAUTHORIZED REPRODUCTION, DISTRIBUTION, OR DISCLOSURE
 OF THIS INFORMATION IS STRICTLY PROHIBITED. ALL RIGHTS ARE RESERVED.
 TECHNOLOGIES PROPRIETARY AND CONFIDENTIAL. THIS DOCUMENT
 IS IN CONFIDENTIAL OR PROPRIETARY INFORMATION.



It is recommended that this be used in the AC-coupling for INTERCONNECT

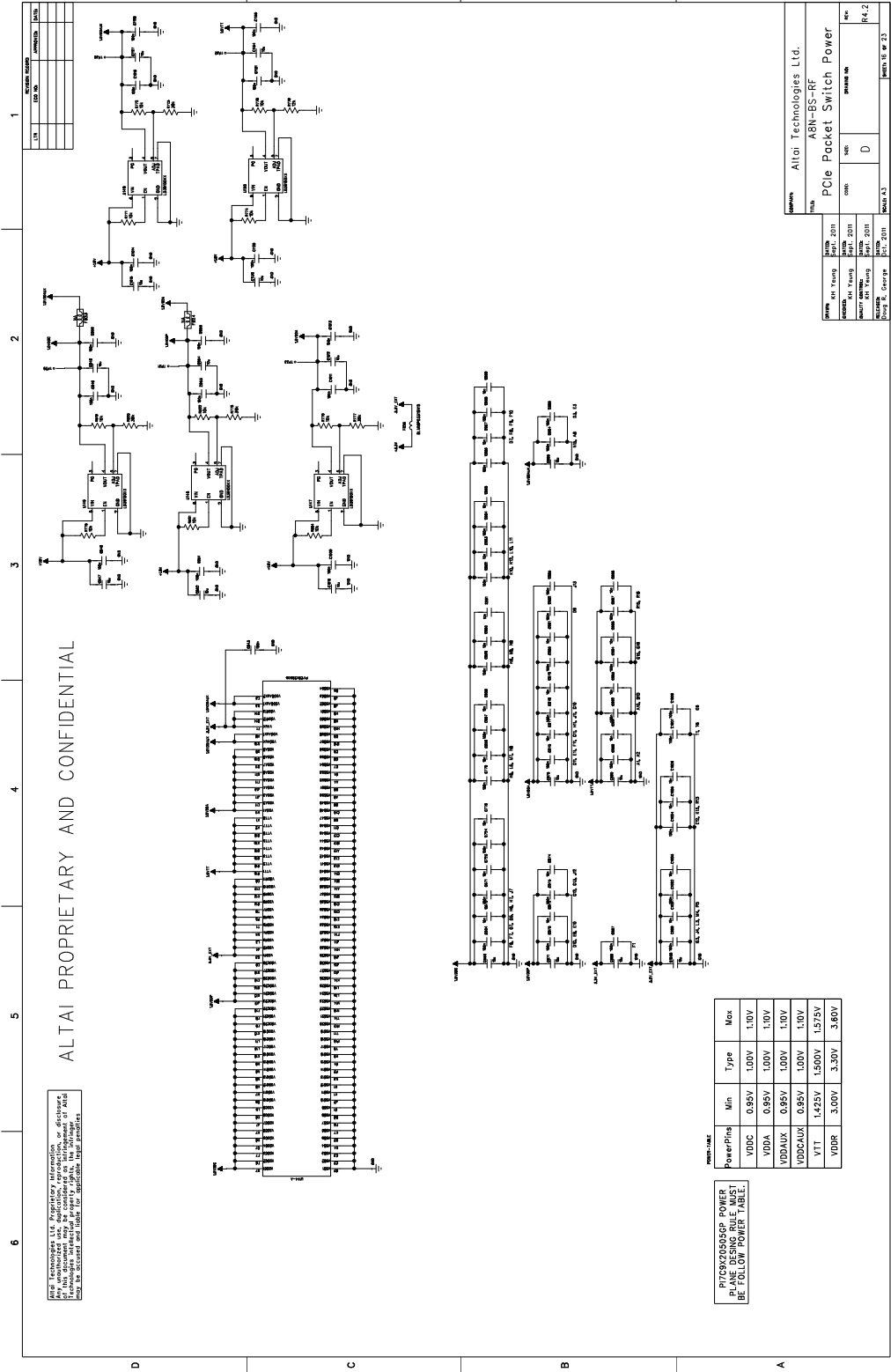


DESIGNER	DATE	REV.	DESCRIPTION
ALTAI	2011	1	PCB
DESIGNED BY	DATE	REV.	DESCRIPTION
ALTAI	2011	1	PCB
CHECKED BY	DATE	REV.	DESCRIPTION
ALTAI	2011	1	PCB
APPROVED BY	DATE	REV.	DESCRIPTION
ALTAI	2011	1	PCB

COMPANY	ALTAI Technologies Ltd.
PROJECT	ABN-BS-RF
PCB	PCB
DATE	2011
REV.	R4.2

ALL INFORMATION IS UNCLASSIFIED UNLESS INDICATED OTHERWISE.
 ANY INFORMATION HAS, APPLICABLE, APPROVED, OR DISCLOSED
 TECHNOLOGIES BELONGING TO ALTAI TECHNOLOGIES LTD. IS
 STRICTLY CONFIDENTIAL AND PROPRIETARY. ANY REPRODUCTION
 OR DISCLOSURE OF THIS INFORMATION IS STRICTLY PROHIBITED.

ALTAI PROPRIETARY AND CONFIDENTIAL



POWER PLANE DESIGN RULE MUST FOLLOW POWER TABLE

PowerPin	Min	Type	Max
VDDC	0.95V	1.00V	1.0V
VDDA	0.95V	1.00V	1.0V
VDDAUX	0.95V	1.00V	1.0V
VDDCAUX	0.95V	1.00V	1.0V
VTT	1.425V	1.500V	1.575V
VDDR	3.00V	3.30V	3.60V

COMPANY	Altai Technologies Ltd.	
DATE	2011	ASIN-BS-RF
PROJECT	PCIe Packet Switch Power	
DESIGNER	Al Young	DATE
CHECKER	Al Young	DATE
APPROVER	Al Young	DATE
REVISION	1	DATE
REVISION	2	DATE
REVISION	3	DATE
REVISION	4	DATE
REVISION	5	DATE
REVISION	6	DATE
REVISION	7	DATE
REVISION	8	DATE
REVISION	9	DATE
REVISION	10	DATE
REVISION	11	DATE
REVISION	12	DATE
REVISION	13	DATE
REVISION	14	DATE
REVISION	15	DATE
REVISION	16	DATE
REVISION	17	DATE
REVISION	18	DATE
REVISION	19	DATE
REVISION	20	DATE
REVISION	21	DATE
REVISION	22	DATE
REVISION	23	DATE
REVISION	24	DATE
REVISION	25	DATE
REVISION	26	DATE
REVISION	27	DATE
REVISION	28	DATE
REVISION	29	DATE
REVISION	30	DATE
REVISION	31	DATE
REVISION	32	DATE
REVISION	33	DATE
REVISION	34	DATE
REVISION	35	DATE
REVISION	36	DATE
REVISION	37	DATE
REVISION	38	DATE
REVISION	39	DATE
REVISION	40	DATE
REVISION	41	DATE
REVISION	42	DATE
REVISION	43	DATE
REVISION	44	DATE
REVISION	45	DATE
REVISION	46	DATE
REVISION	47	DATE
REVISION	48	DATE
REVISION	49	DATE
REVISION	50	DATE
REVISION	51	DATE
REVISION	52	DATE
REVISION	53	DATE
REVISION	54	DATE
REVISION	55	DATE
REVISION	56	DATE
REVISION	57	DATE
REVISION	58	DATE
REVISION	59	DATE
REVISION	60	DATE
REVISION	61	DATE
REVISION	62	DATE
REVISION	63	DATE
REVISION	64	DATE
REVISION	65	DATE
REVISION	66	DATE
REVISION	67	DATE
REVISION	68	DATE
REVISION	69	DATE
REVISION	70	DATE
REVISION	71	DATE
REVISION	72	DATE
REVISION	73	DATE
REVISION	74	DATE
REVISION	75	DATE
REVISION	76	DATE
REVISION	77	DATE
REVISION	78	DATE
REVISION	79	DATE
REVISION	80	DATE
REVISION	81	DATE
REVISION	82	DATE
REVISION	83	DATE
REVISION	84	DATE
REVISION	85	DATE
REVISION	86	DATE
REVISION	87	DATE
REVISION	88	DATE
REVISION	89	DATE
REVISION	90	DATE
REVISION	91	DATE
REVISION	92	DATE
REVISION	93	DATE
REVISION	94	DATE
REVISION	95	DATE
REVISION	96	DATE
REVISION	97	DATE
REVISION	98	DATE
REVISION	99	DATE
REVISION	100	DATE

Sheet 15 of 23

1

2

3

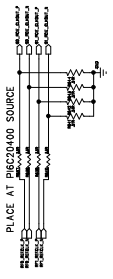
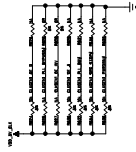
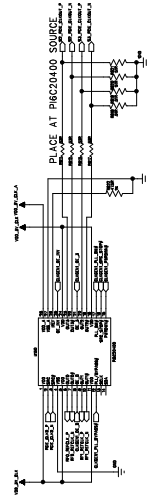
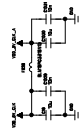
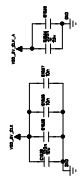
4

5

6

ALL INFORMATION IS UNCLASSIFIED, UNCONTROLLED, OR UNRESTRICTED.
 Any unauthorized use, reproduction, or disclosure
 is prohibited. This document is the property of Altai
 Technology and shall remain the property of Altai
 Technology and shall not be disclosed, copied, or
 distributed.

ALTAI PROPRIETARY AND CONFIDENTIAL



A

B

C

D

COMPANY		Altai Technologies Ltd.	
DATE	REV	DATE	REV
2011-01-17	1	2011-01-17	1
PROJECT		ARN-BS-BF	
DESCRIPTION		PCIe Clock Buffer	
DESIGNED BY	DATE	DESIGNED BY	DATE
Y. Zhang	2011-01-17	Y. Zhang	2011-01-17
CHECKED BY	DATE	CHECKED BY	DATE
Y. Zhang	2011-01-17	Y. Zhang	2011-01-17
APPROVED BY	DATE	APPROVED BY	DATE
Y. Zhang	2011-01-17	Y. Zhang	2011-01-17
DRAWING NO.		D	
REV.		R4.2	
SHEET NO.		Sheet 17 of 23	

1

2

3

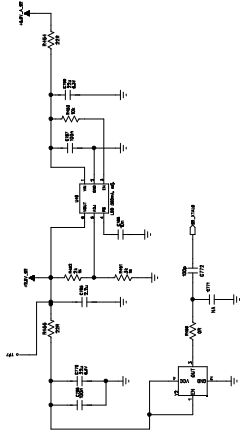
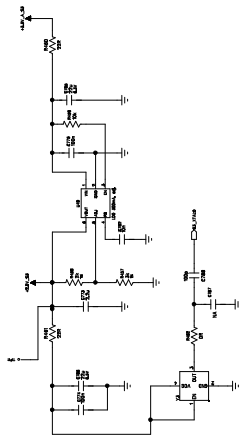
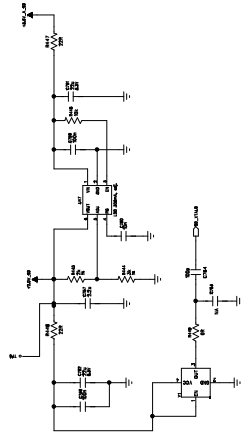
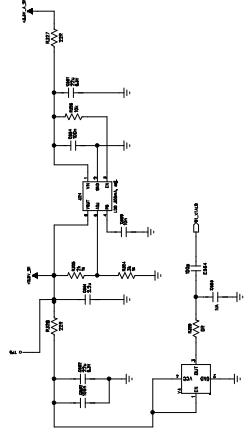
4

5

6

ALTAI PROPRIETARY AND CONFIDENTIAL

ALTAI Technologies Ltd. Reproduction, alteration, or distribution of any information contained herein is prohibited without the express written consent of ALTAI Technologies Ltd. All rights reserved. This document is intended for internal use only and is not to be distributed outside the organization.



COMPANY		Altai Technologies Ltd.	
TITLE		ARN-BS-RF	
		Radio Cocks	
DESIGNER	DATE	ISSUE NO.	REV.
DESIGNER: Ai Young	DATE: 2011	ISSUE NO:	R4.2
AUTHOR: Ai Young	DATE: 2011	ISSUE NO:	
REVISION:	DATE:	ISSUE NO:	
LONG P. Cheung	2012	Issue 4.3	Issue 18 of 23

ALL INFORMATION IS PROPRIETARY INFORMATION OF AT&T TECHNOLOGIES LTD. IT IS UNLAWFUL TO REPRODUCE, TRANSMIT, DISSEMINATE, OR IN ANY MANNER TO MAKE AVAILABLE TO OTHERS, WITHOUT THE WRITTEN PERMISSION OF AT&T TECHNOLOGIES LTD.

ALTAI PROPRIETARY AND CONFIDENTIAL

1

2

3

4

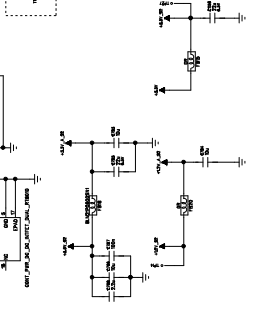
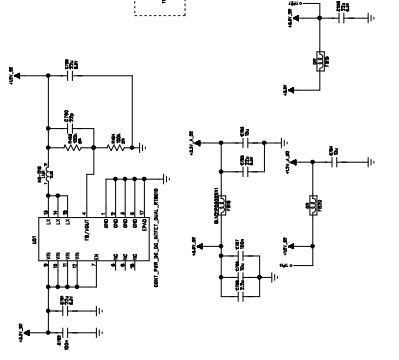
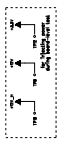
5

6

REV	REV. NO.	REVISED	DATE

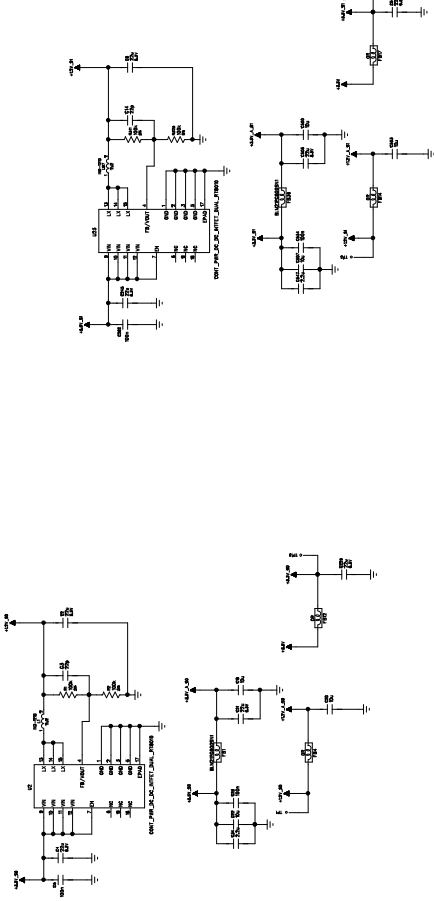
D

D



C

C



B

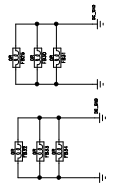
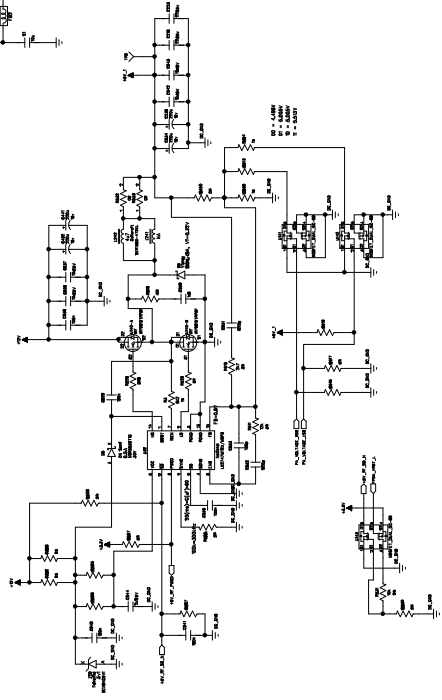
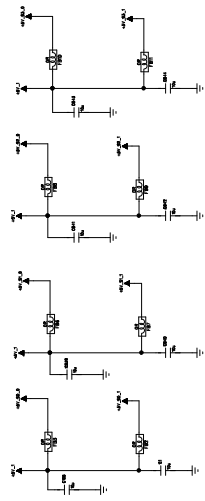
A

COMPANY	Altai Technologies Ltd.
DATE	ASN-BS-RF
PROJECT	Radio Power
REV.	
DRAWING NO.	
DATE	
DESIGNED BY	D
CHECKED BY	
DATE	
DRAWN BY	
DATE	
SCALE	
REVISIONS	

All information on this drawing is confidential. Any unauthorized use, reproduction, or disclosure is prohibited. All rights reserved. © 2011 Altai Technologies. All rights reserved. This drawing is the property of Altai Technologies and is not to be distributed outside the company.

ALTAI PROPRIETARY AND CONFIDENTIAL

REVISION HISTORY	
REV.	DESCRIPTION
1	ISSUE FOR PRODUCTION



COMPANY		DATE	
NAME	DESIGNER	DATE	DATE
Altai Technologies Ltd.	Altai Technologies Ltd.	2011	2011
PA 5V Power Supply	PA 5V Power Supply	2011	2011
REV: R4.2	REV: R4.2	2011	2011
DESIGNED BY: [Name]	DESIGNED BY: [Name]	2011	2011
CHECKED BY: [Name]	CHECKED BY: [Name]	2011	2011
APPROVED BY: [Name]	APPROVED BY: [Name]	2011	2011

COMPANY		DATE	
NAME	DESIGNER	DATE	DATE
Altai Technologies Ltd.	Altai Technologies Ltd.	2011	2011
PA 5V Power Supply	PA 5V Power Supply	2011	2011
REV: R4.2	REV: R4.2	2011	2011
DESIGNED BY: [Name]	DESIGNED BY: [Name]	2011	2011
CHECKED BY: [Name]	CHECKED BY: [Name]	2011	2011
APPROVED BY: [Name]	APPROVED BY: [Name]	2011	2011

6

ALTAI TECHNOLOGIES LTD. PROPRIETARY INFORMATION
 IT IS UNLAWFUL TO DISSEMINATE OR TO MAKE ANY
 USE OF THIS INFORMATION IN ANY MANNER WITHOUT
 THE WRITTEN PERMISSION OF ALTAI TECHNOLOGIES LTD.
 ANY UNAUTHORIZED DISSEMINATION OR USE OF THIS
 INFORMATION MAY BE SUBJECT TO PROSECUTION AND
 PENALTIES AS PROVIDED BY APPLICABLE LAWS.

5

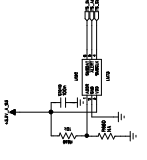
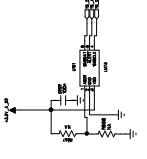
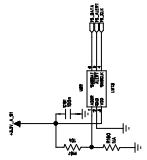
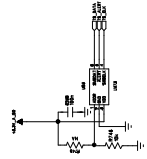
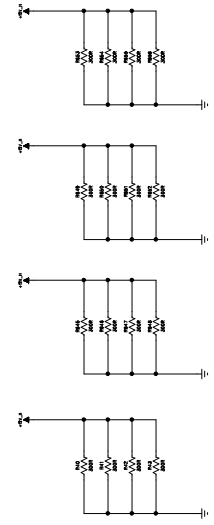
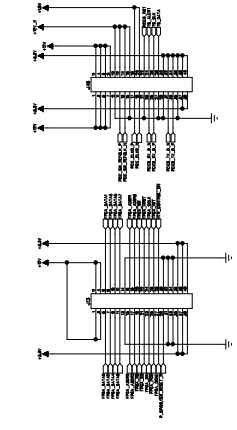
4

3

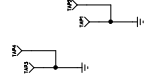
2

1

ALTAI PROPRIETARY AND CONFIDENTIAL



B



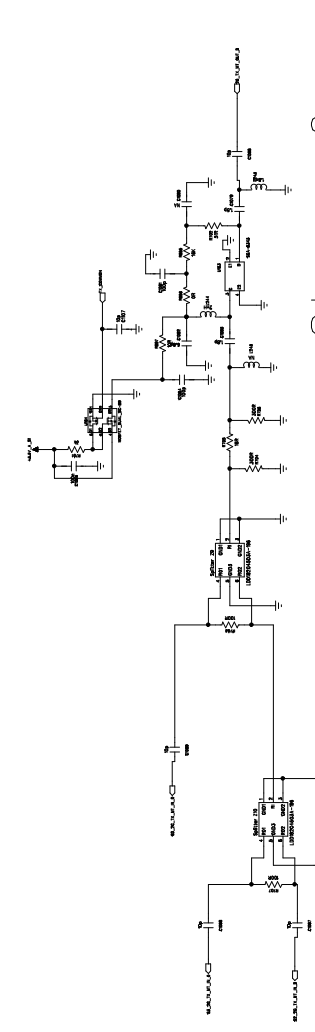
A

COMPANY		Alltai Technologies Ltd.	
PART		ABN-BS-RF	
TITLE		PCIe Connector Misc.	
DESIGNER	DATE	DESIGNER	DATE
YOUNG	2011	YOUNG	2011
CHECKED	DATE	CHECKED	DATE
WANG	2011	WANG	2011
APPROVED	DATE	APPROVED	DATE
WANG	2011	WANG	2011
REVISION	DESCRIPTION	REV	DATE
		D	R4.2
DRAWN BY		SHEET 21 OF 23	

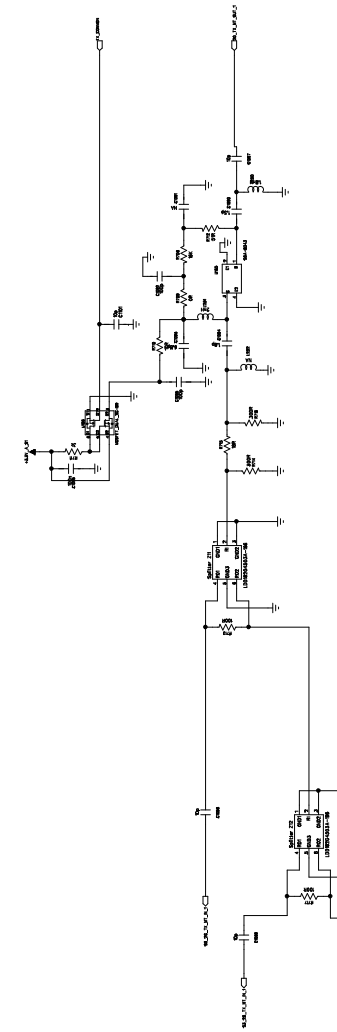
REV	REVISION NUMBER	
	REV. NO.	DATE

ALTAI PROPRIETARY AND CONFIDENTIAL

ALTAI Technologies Ltd. Proprietary information or disclosure of this information may be considered an infringement of ALTAI's intellectual property rights. For specific legal remedies, see the license and terms for applicable legal remedies.



Stream 0



Stream 1

COMPANY		Altai Technologies Ltd.	
NAME		ASB-BS-RF	
PART NO.		TX Common RF	
DESIGNER	DATE	DESIGNER	DATE
WENYU CHEN	2011	WENYU CHEN	2011
CHECKER	DATE	CHECKER	DATE
DAVID CHEN	2011	DAVID CHEN	2011
APPROVER	DATE	APPROVER	DATE
DAVID CHEN	2011	DAVID CHEN	2011
REV		REV	