

Label size is L57.5 mm x 13.8 mm (R1.5)

Convergence Systems Limited  
 RFID Reader CS710S-2  
 Battery Rating: 3.7V 3400 mAH  
 FCC ID : UB4CS710S  
 barcode for S/N  
 S/N: KBAYYMPQQXXXXXXXXX  
 2DBarcode  
 IC : 8073A-CS710SCA  
 BT Mac Addr : **XX XX XX XX XX XX**  
 Xxx. Pol.  
 Made in China  
 Scale 2 : 1

bold font

Convergence Systems Limited  
 RFID Reader CS710S-2  
 Battery Rating: 3.7V 3400 mAH  
 FCC ID : UB4CS710S  
 barcode for S/N  
 S/N: KBAYYMPQQXXXXXXXXX  
 2DBarcode  
 IC ID : 8073A-CS710SCA  
 BT Mac Addr : **XX XX XX XX XX XX**  
 Xxx. Pol.  
 Made in China  
 Scale 1 : 1

REVISIONS				
ZONE	REV	DESCRIPTION	APPD	DATE
	A	FIRST RELEASE	Nelyning	02Dec-21
	B	CHANGE S/N FORMAT	Nelyning	28Jun-22
	C	add FCC and IC ID	Nelyning	05Aug-22

To be printed by Production Line, for S/N format, refer to DOC: REMSHH-8001X (X- the latest version)

if having 2DBarcode, here shows "2DBarcode"  
 if no having 2DBarcode: here shows "(blank)"

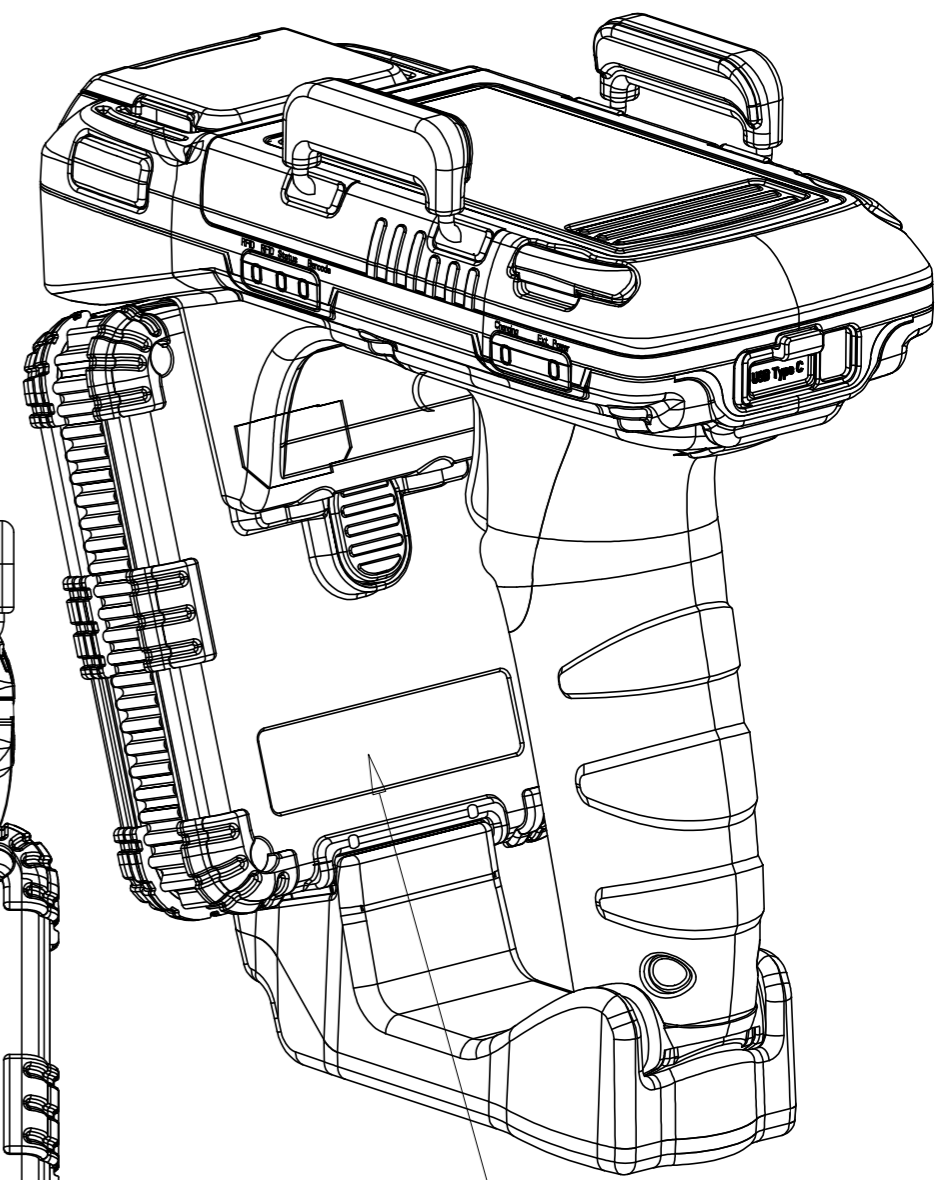
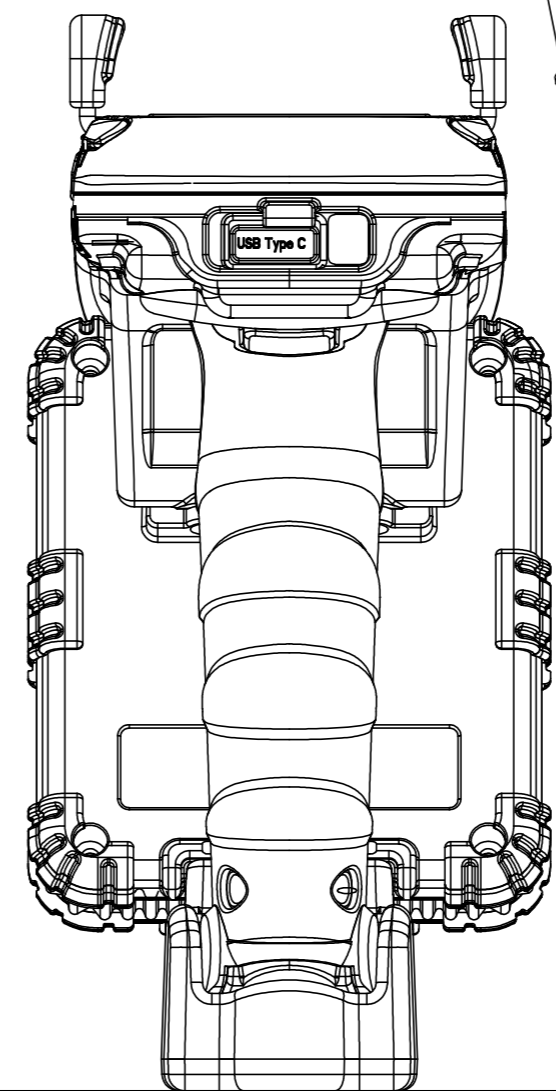
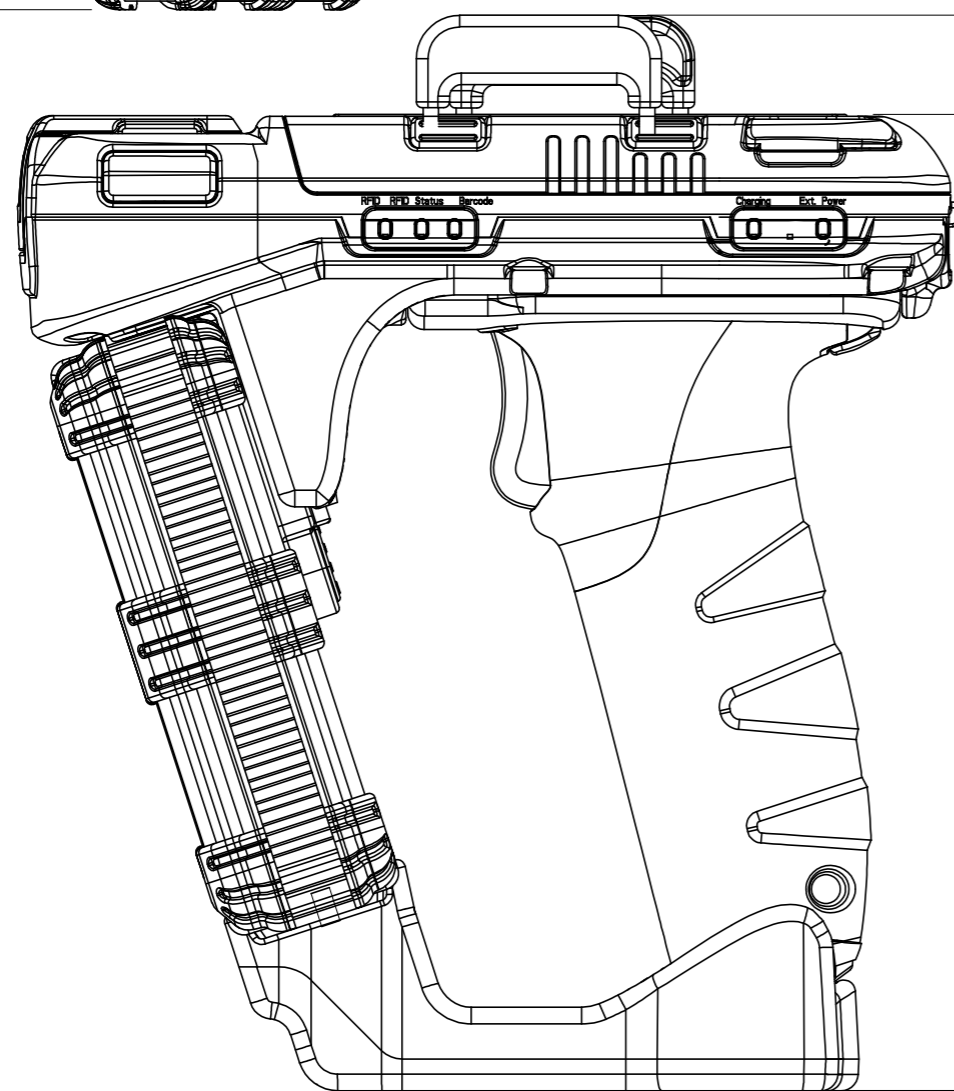
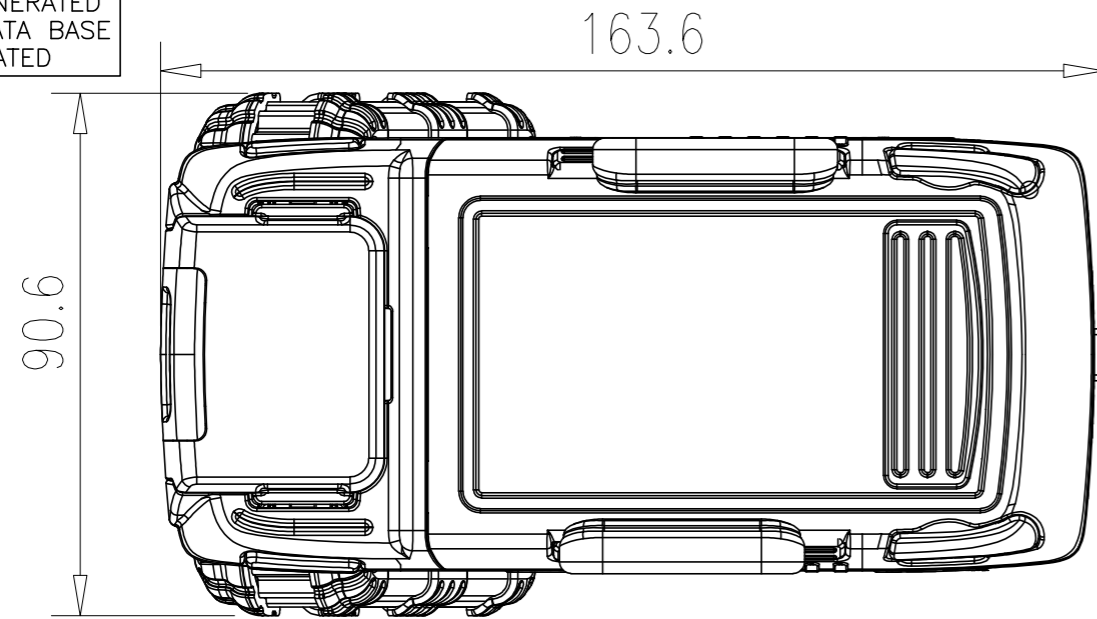
NOTES:

- Label material : Polyester (P/N:479K0R00789AFRD).
- Barcode Type: 128#.
- Character height : Refer to drawing or sample provided by CSL engineering.
- Printing : Black color on white background.
- Label roll is fit for transfer Ribbon MH10H.
- Part must be free of dirt, damage, notching, scratch, and any surface imperfection.
- Tolerance: %%P0.3mm
- Font : Arial

TOLERANCES UNLESS OTHERWISE SPECIFIED DIMENSIONS ARE IN MM DECIMALS ANGULAR . ± 0.50 ± .X ± 0.25 ± .XX ± 0.13 ± DO NOT SCALE IF IN DOUBT ASK	MODEL NO	CS710S		
	PART NO	479K0R00789AFRD		
	DWN	NELY NING	DATE	05Aug-2022
	CKD		DATE	
WARNING THIS DOCUMENT IS THE PROPERTY OF CSL OR ITS CLIENTS AND CONTAINS CONFIDENTIAL AND TRADE SECRET INFORMATION OF CSL OR ITS CLIENTS.	APPD		DATE	
	CAD FILENAME:	CS710S-2(FCC)H_V_CP_Product_Label-03.PDF		
	SCALE	1 : 1	DWG NO	
	SHEET OF	1 1	REV	C
		TITLE CS710S-2 (FCC) HP/VP/CP Product Label Printing Format		

COMPUTER GENERATED  
DRAWING - DATA BASE  
MUST BE UPDATED

REVISIONS				
ZONE	REV	DESCRIPTION	APPD	DATE
	X1	FIRST RELEASE	Nely Ning	26Jul-2022



<p><b>TOLERANCES</b> UNLESS OTHERWISE SPECIFIED DIMENSIONS ARE IN MM DECIMALS      ANGULAR</p> <p>.X ±      .0° .XX ± DO NOT SCALE       IF IN DOUBT ASK</p> <p><b>WARNING</b> THIS DOCUMENT IS THE PROPERTY OF CSL OR ITS CLIENTS AND CONTAINS CONFIDENTIAL AND TRADE SECRET INFORMATION OF CSL OR ITS CLIENTS.</p>	MODEL NO	CS710S			
	PART NO	NA			
	DWN	Nely Ning	DATE	TITLE	
	CKD		DATE	CS710S PRODUCT DIMENSION DRAWING	
	APPD		DATE		
	CAD FILENAME:	710S_PRODUCT_DIMENSION_DRAWING-X1.dwg	SCALE (A3)	DWG NO	SHEET 1 OF 1
			1:2		REV X1