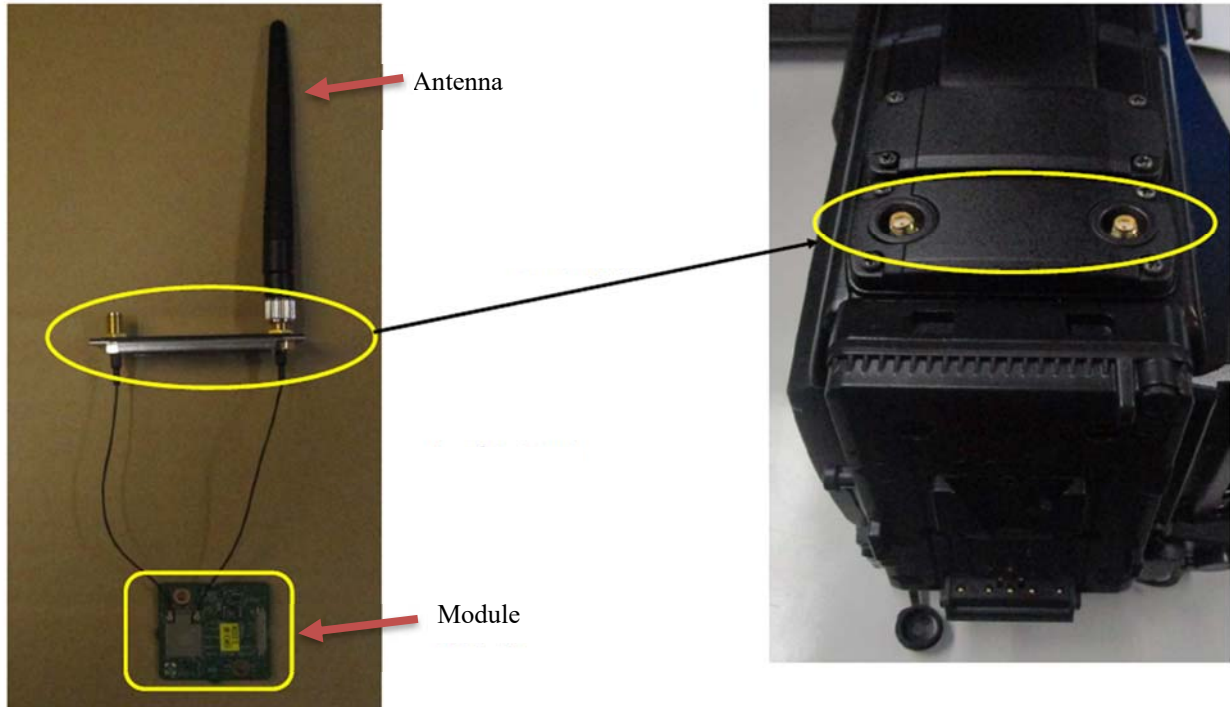


APPENDIX 4 : Photographs of test setup

Photographs of EUT



Photographs of host device

Front



Rear



Left



Right



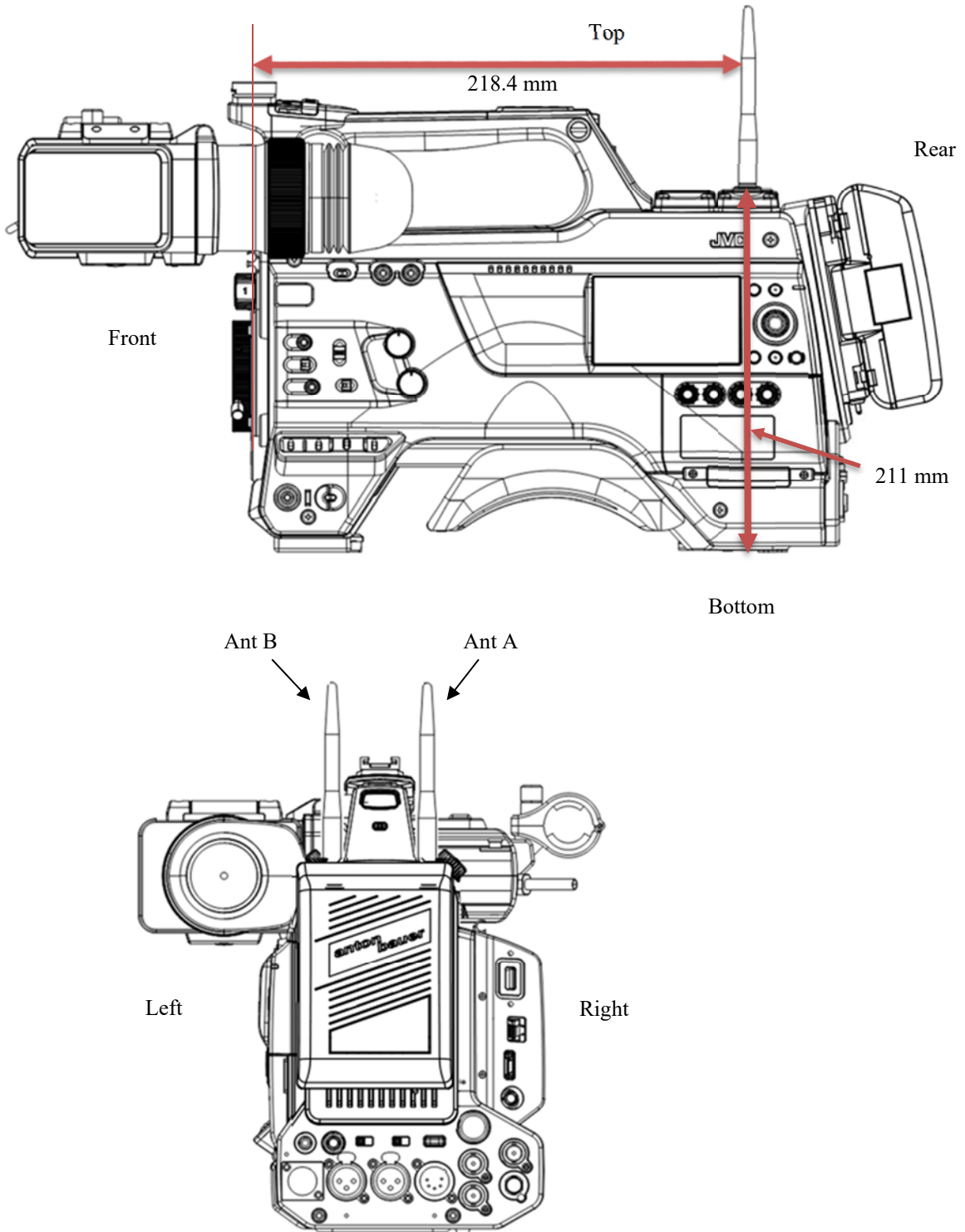
Top



Bottom



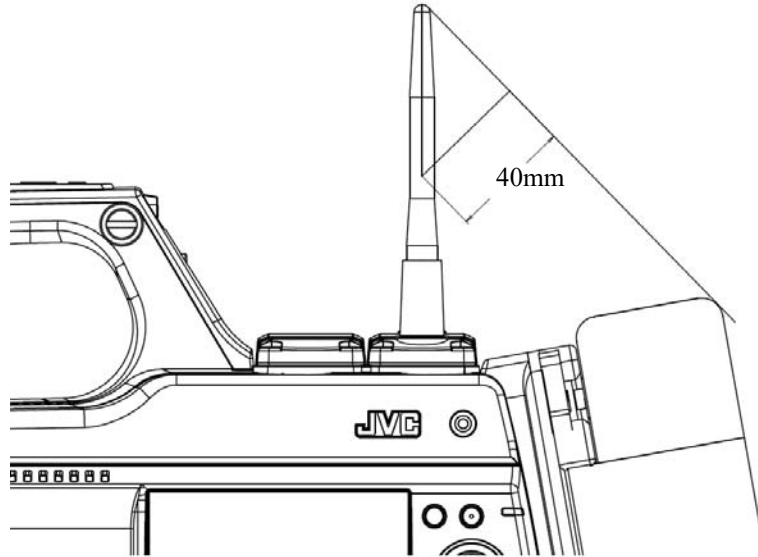
Antenna position



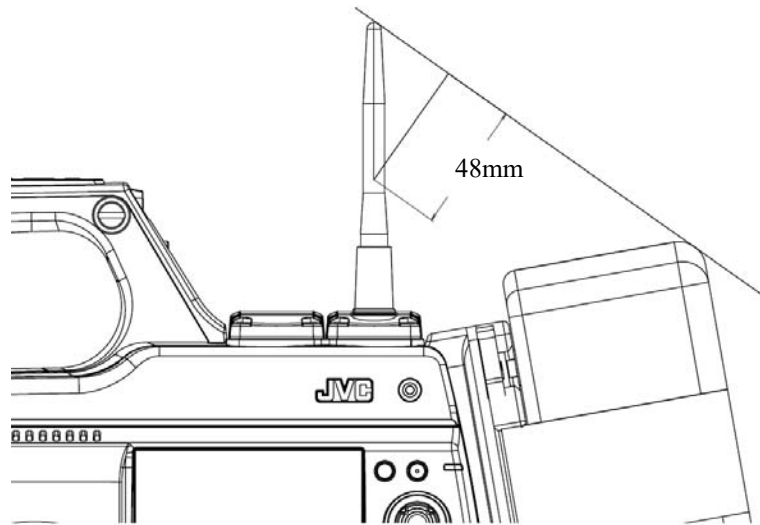
Battery

Rear Position for Test setup

<Battery model: Dionic HC>

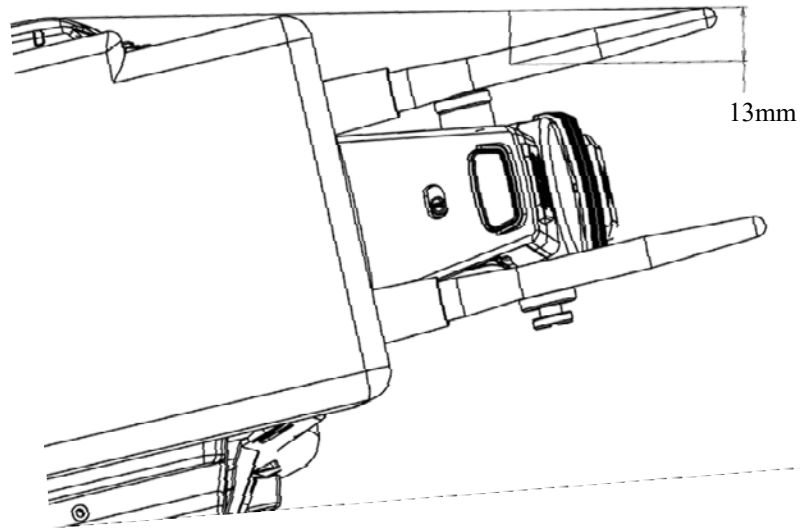


<Battery model: Digital 150>

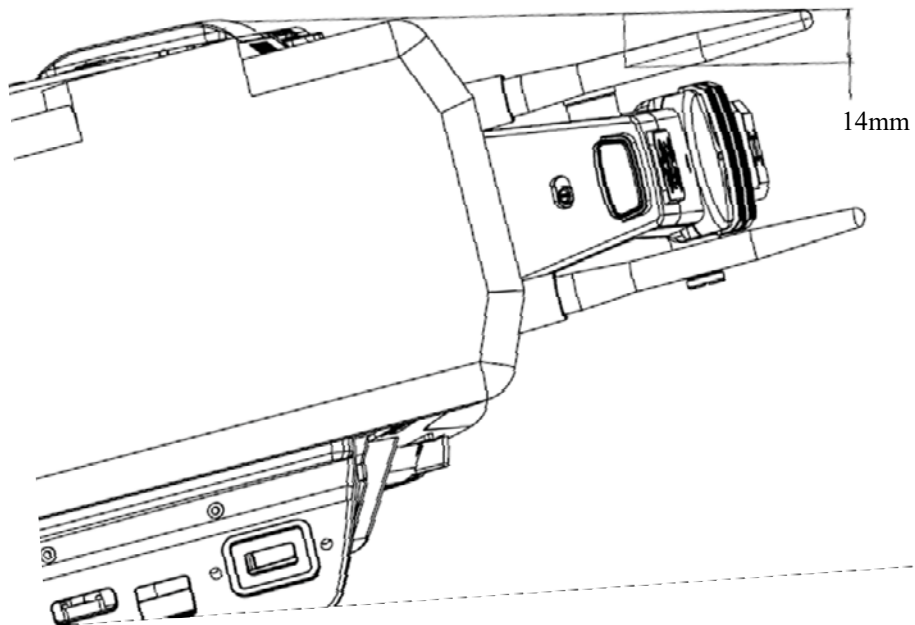


Left Position for Test setup

<Battery model: Dionic HC>



<Battery model: Digital 150>



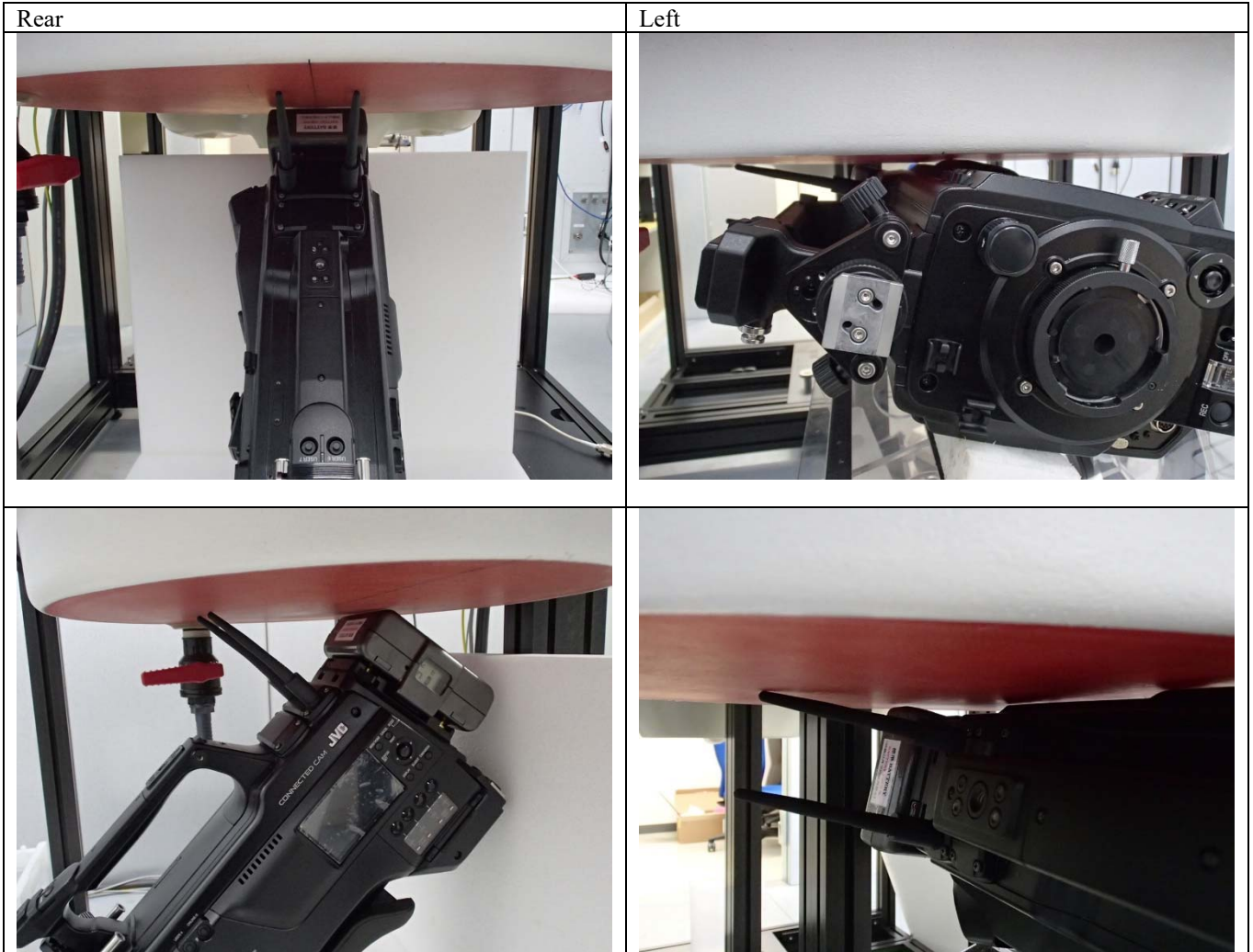
<Battery model: Dionic HC>

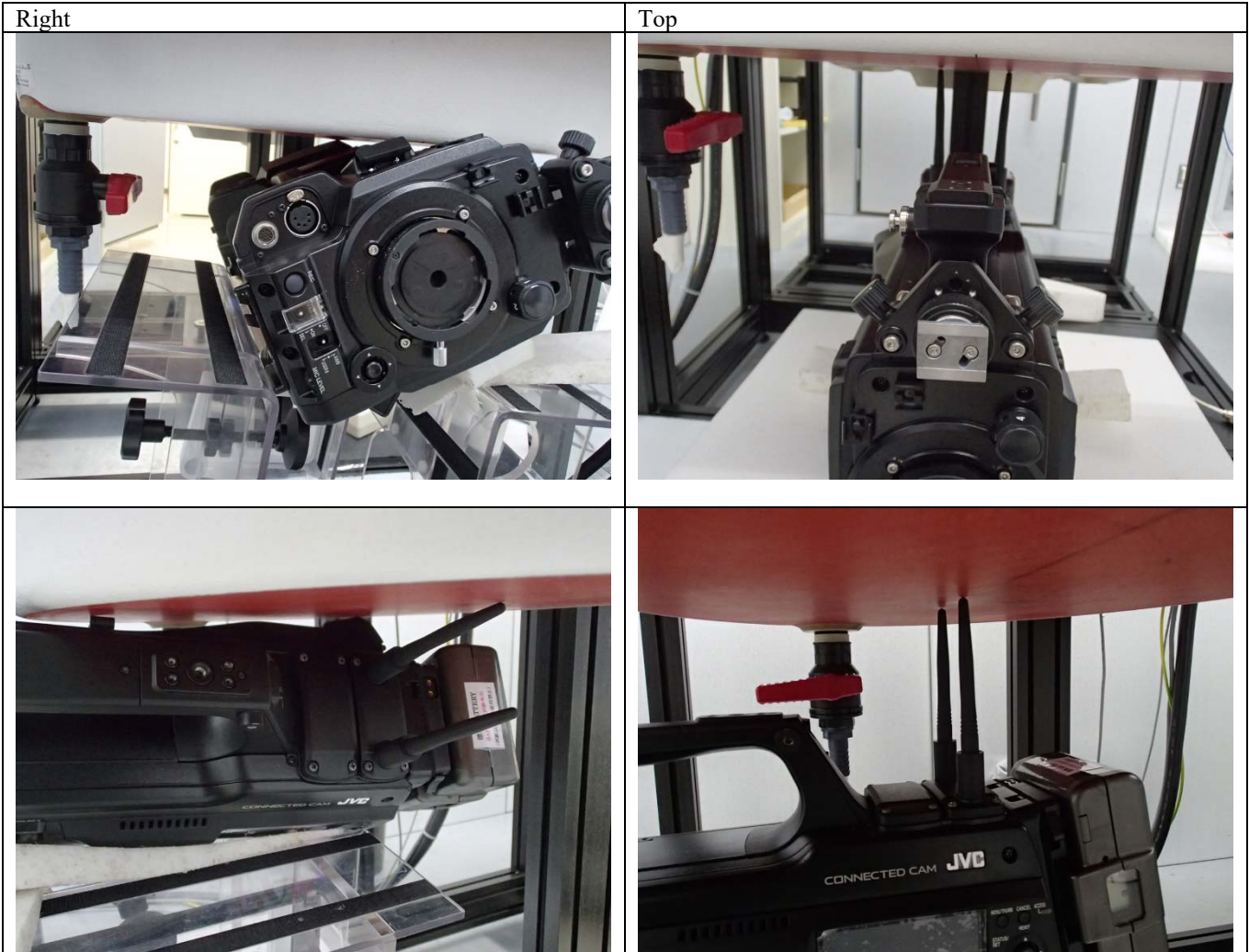


<Battery model: Digital 150>



Photographs of setup





End of Report