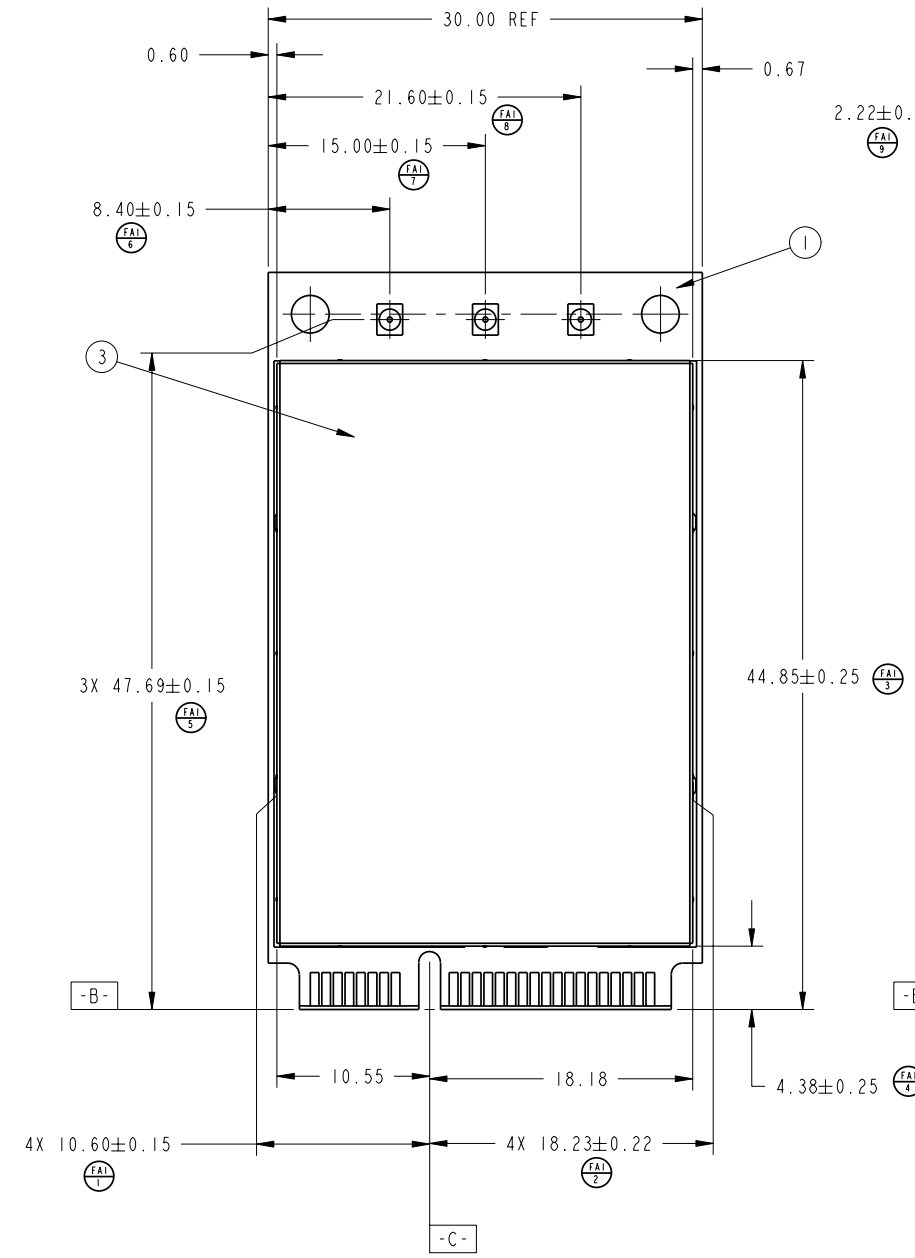
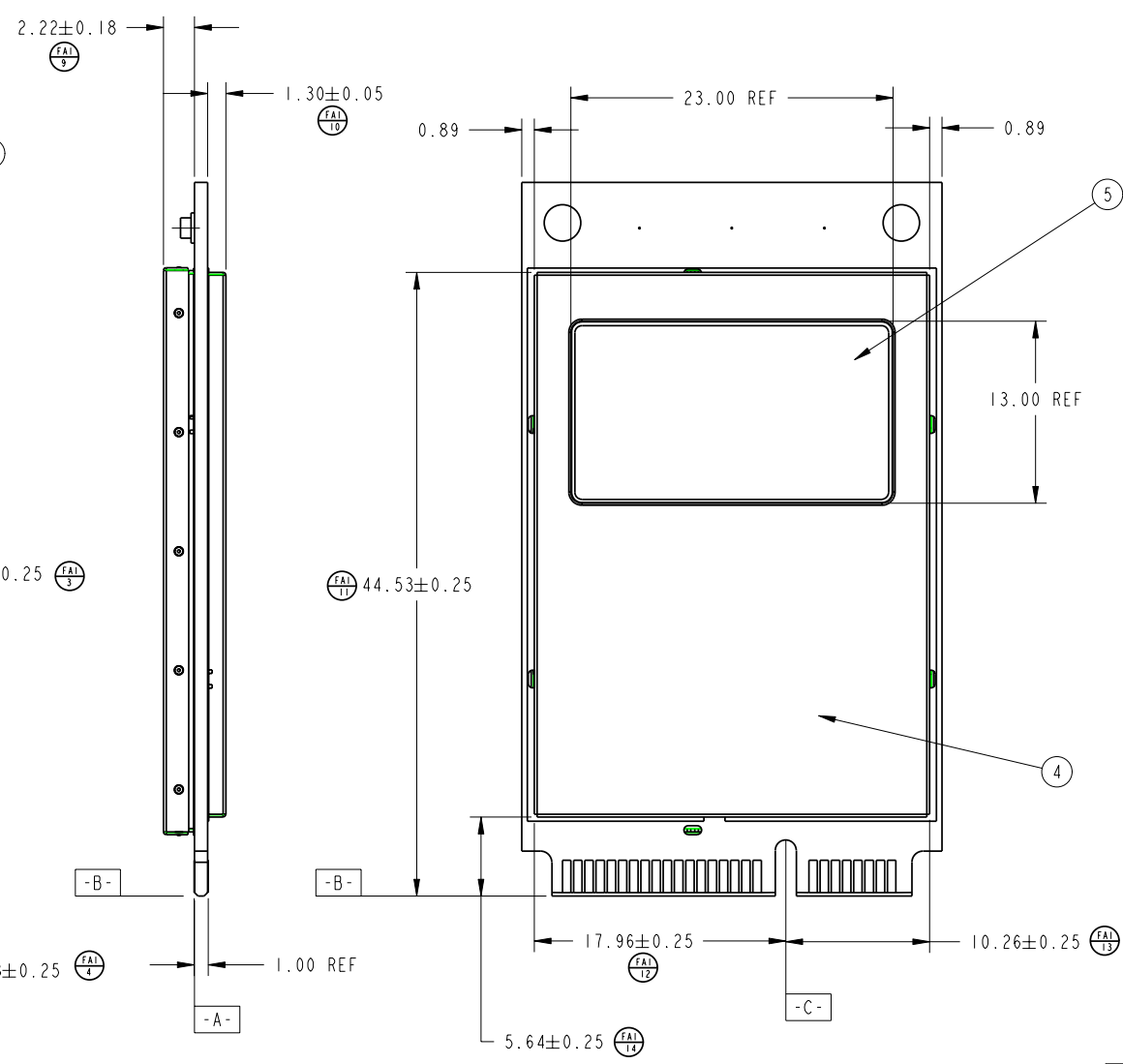


8 7 6 5 4 3

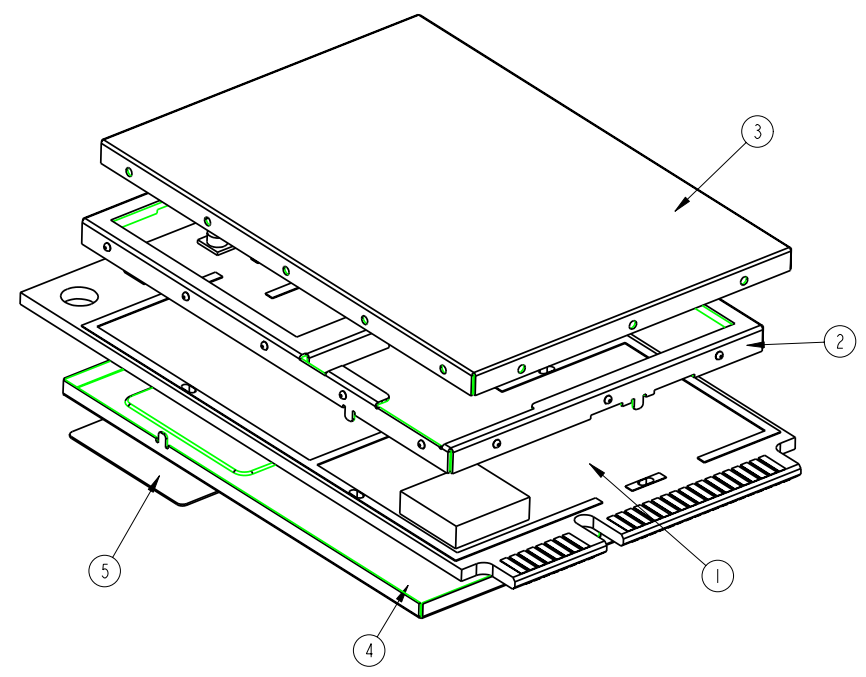
DWG NO. ASSY-MC85		REV 05	SH 1	I	
REVISIONS					
ECO	REV	DESCRIPTIONS	DATE	APPROVED	
00-000	01	ENGINEERING RELEASE	12-Mar-06	PHI	
	02	DESIGN CHANGES	3/24/06	PHI	
	03	44.85 WAS 44.69, 4.37 WAS 4.53	3/26/06	PHI	
	04	UPDATED PER MC85 V1.5 AMD PCB FAB DWG	4/15/06	PHI	
	05	INSPECTION MARKS ADDED	5/05/06	PHI	



TOP SIDE



BOTTOM SIDE



5	I	503-00067-005	LABEL	
4	I	426-00114-005	BOTTOM SHIELD	
3	I	426-00118-005	TOP COVER SHIELD, MC85, MC85-AP	
2	I	429-00116-005	TOP BASE SHIELD, MC85	
1	I		PCB, MC85	
ITEM NO.	QTY	REQD	PART OR IDENTIFYING NO.	NOMENCLATURE OR DESCRIPTION

UNLESS OTHERWISE SPECIFIED DIMENSIONS ARE IN MM TOLERANCES ARE: DECIMALS ANGLES .XX ±0.1 ±0.5 .X ±0.2

Marvell Semiconductor, Inc.

MATERIAL	DRAWN	DATE	ISSUED	DATE
	QENG	12-Mar-06		
FINISH	CHECKED	DATE		
		12-Mar-06		
NEXT ASSY	USED ON			
APPLICATION	DO NOT SCALE DRAWING			

ASSY, MC85	DWG NO. ASSY-MC85	REV. 05
SCALE 4.000	EST. WT.	SHEET 1 OF 2

8 7 6 5 4 3 2 1

8

7

6

5

4

3

DWG NO. ASSY-MC85		REV. 04	SH 2	1	
REVISIONS					
ECO	REV	DESCRIPTIONS		DATE	APPROVED
		SEE SHEET 1			

D

D

C

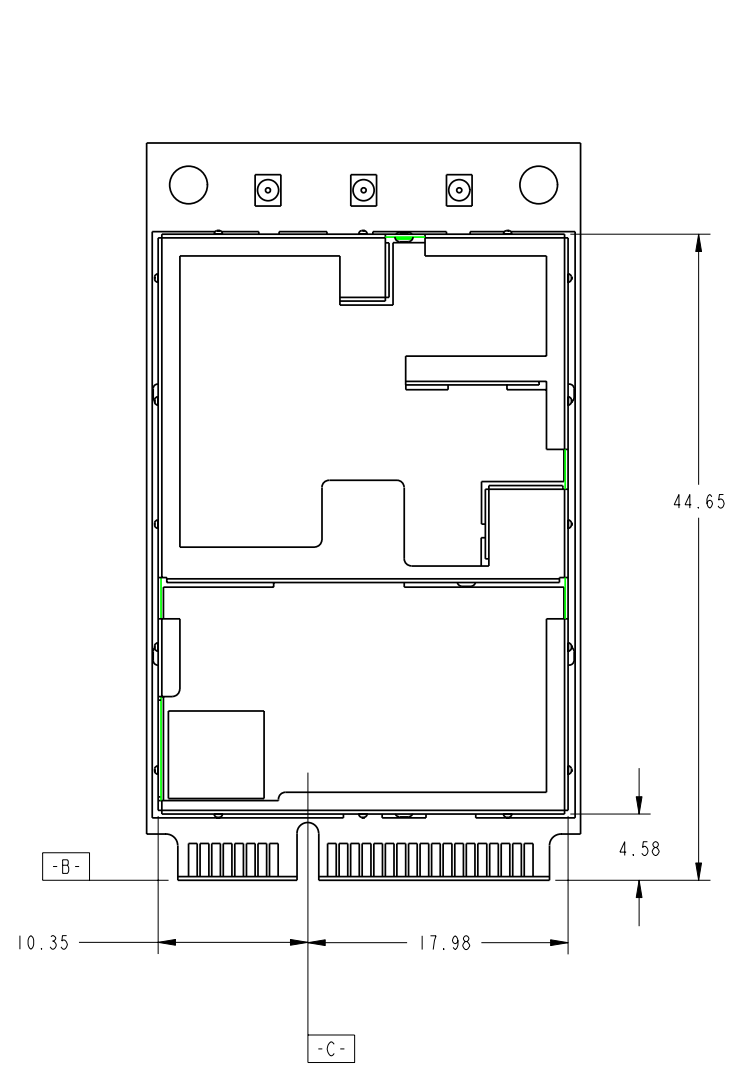
C

B

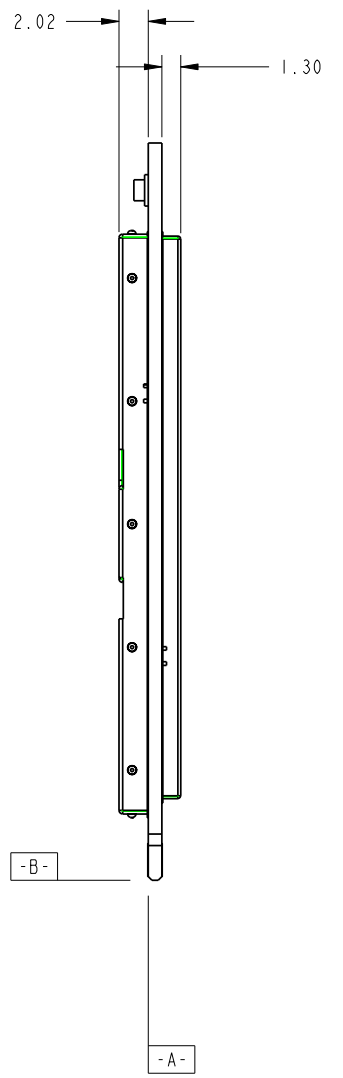
B

A

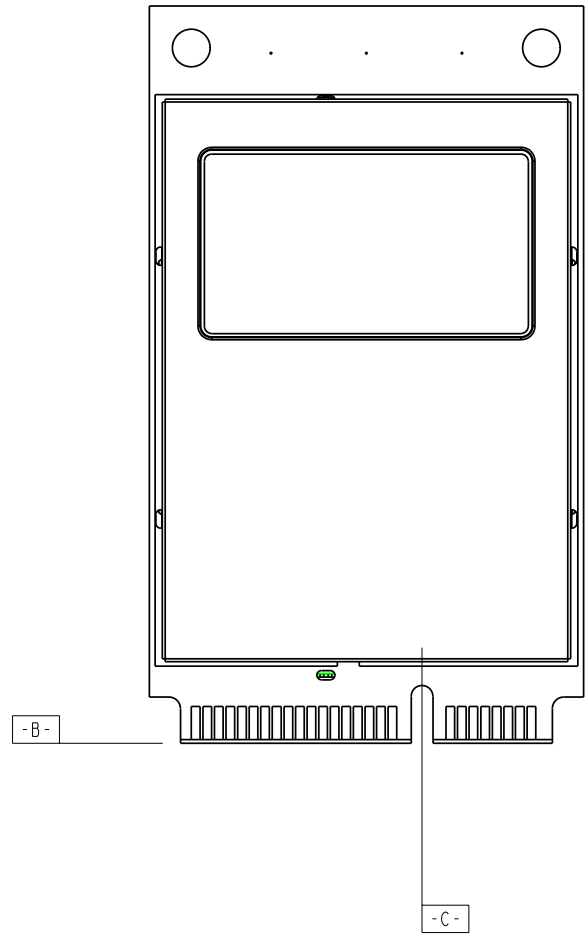
A



TOP SIDE
TOP SHIELD BASE



-A-



-C-

BOTTOM SIDE

DRAWN	SIZE D	CAGE NO.	DWG NO. ASSY-MC85	REV. 05
ISSUED	SCALE 4.000	SHEET 2	FILE NAME MAIN-MC85	