

TEST REPORT PHOTOS

THE ELECTROMAGNETIC EMISSIONS

ACCORDING TO

FCC PARTS 2, 15, 95 (all 2005)

OF THE

NOTIFLEX TRANSMISSION CONTROL UNIT (TCU)

PREPARED FOR

**S. BROWN PULLIAM, CONSULTANT
26 CONCORD ROAD
BEDFORD MA 01730**

PREPARED BY

**GLOBAL CERTIFICATION LABORATORIES, LTD.
4 MATTHEWS DRIVE
EAST HADDAM CT 06423**

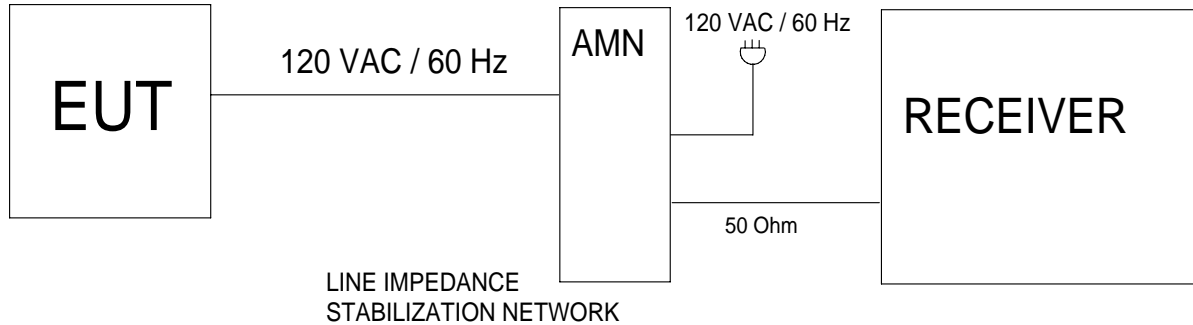
DATE RELEASED

July 31, 2006

FILE REF: BRN0601

GLOBAL CERTIFICATION LABORATORIES, LTD

CONDUCTED EMISSIONS MEASUREMENTS

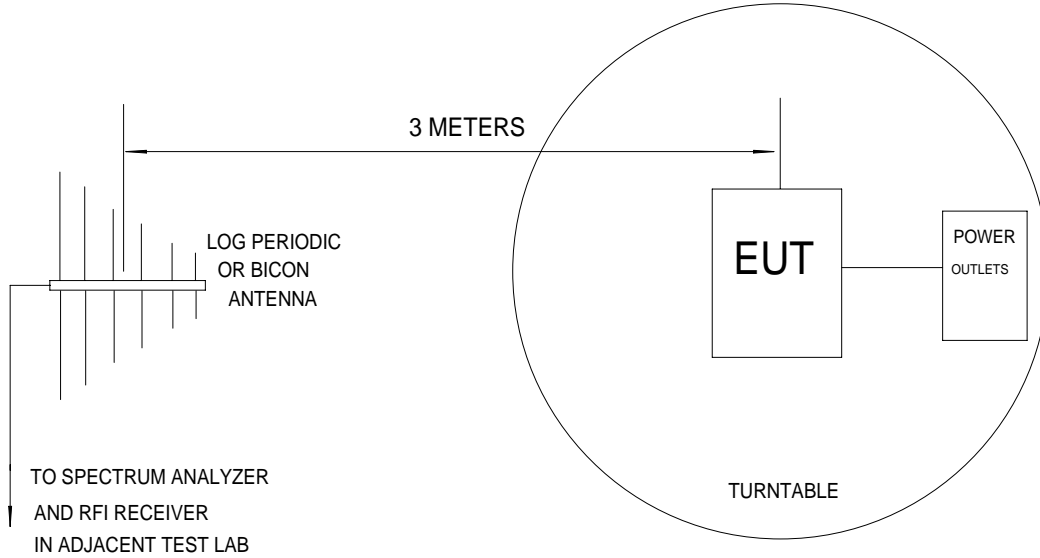


(EXCEPT WHERE EUT SIZE PROHIBITS, TESTING IS DONE IN A SHIELDED ROOM)



GLOBAL CERTIFICATION LABORATORIES, LTD.
RADIATED EMISSIONS TEST SET-UP

TURNTABLE AND ANTENNA ARE LOCATED
IN A POST-AND-BEAM WOODEN "BARN"



POWER OUTPUT



MODULATION BANDWIDTH



FREQUENCY STABILITY, TEMPERATURE VARIATION

Heat chamber



Freezer



FREQUENCY STABILITY, INPUT VOLTAGE VARIATION

