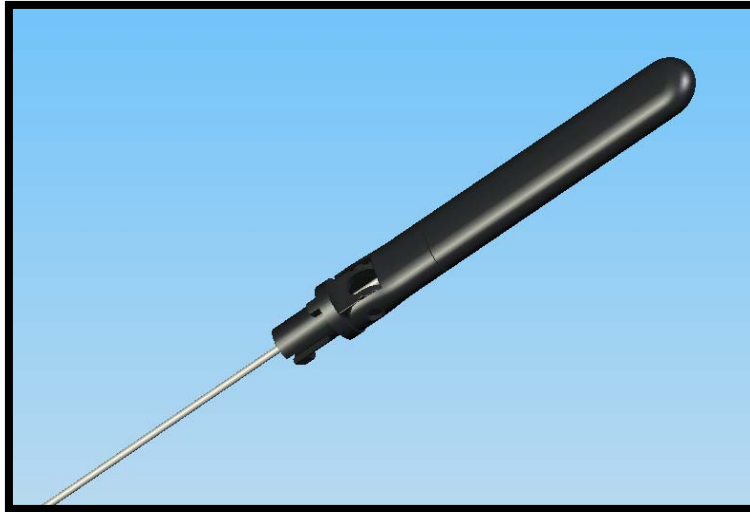




UWB WHIP ANTENNA



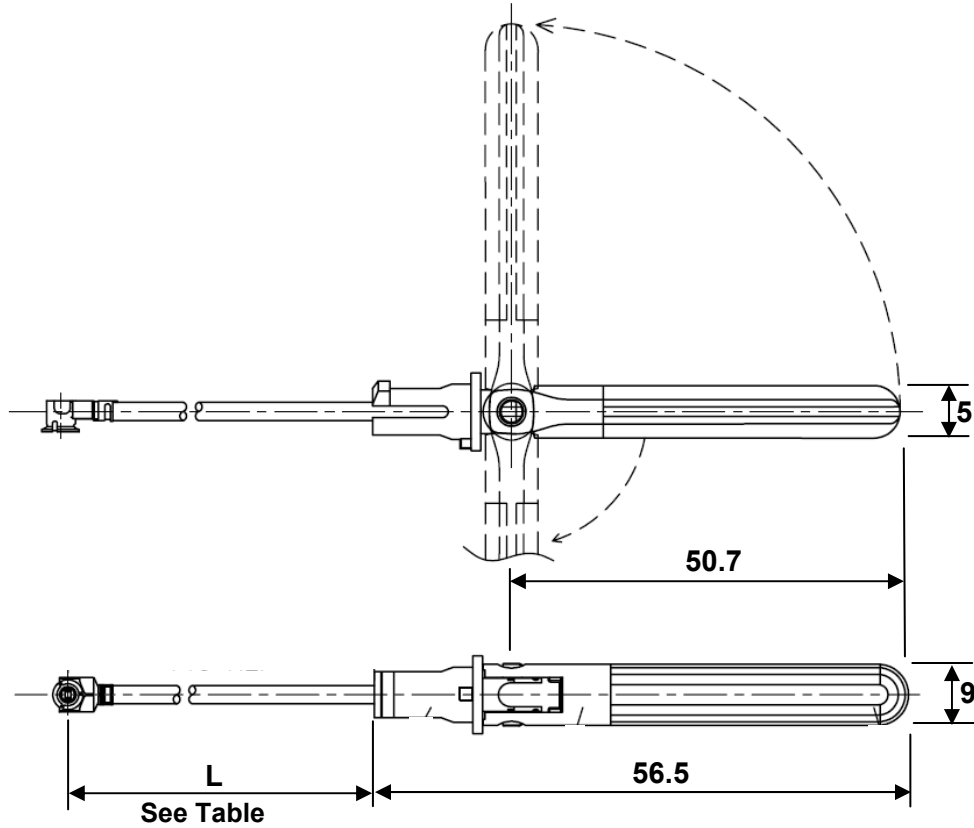
1. Features

- Worldwide UWB Bands Coverage, WiMedia BG#1, 3, 4, 6.
- FCC and EU approvals for use with Alereon products.
- Rotating mounting $\pm 90^\circ$ plus hinge with position detents at: $-90^\circ, -45^\circ, 0^\circ, +45^\circ, +90^\circ$ angle for flexible orientation.
- Slim design.
- Low cost attachment design.
- Low cost RF Connector; U.FL-type.

2. Specifications

- Frequency range: 3.1 GHz to 9.504 GHz
- Nominal impedance: 50 Ω
- VSWR:
 - 3.168GHz – 4.752GHz < 3.5
 - 6.336GHz – 9.504GHz < 3.0
- Pattern: Omni directional
- Polarization: linear
- Gain: 0 ± 2 dBi
- Color: Black
- Finish: Matte

3. Dimensions



Note: Rotating mount engagement is a proprietary Alereon design, dimensions and details are available to qualified partners upon request.

Dimensions are nominal
Dimensions in mm

4. Ordering Information

Antennas are orderable directly from:

Golden Bridge Electronics (GBE).
3F, No, 6, Lane 270, Sec. 3, BeiShen Rd
Shenkeng Shiang, Taipei County 222, Taiwan (ROC)
Tel.: +866 2 26627300 Ext. 825
FAX: +866 2 26620642

Part Number	External cable length (L)
AL50001-035	35mm
AL50001-060	60mm
AL50001-140	140mm

Alereon product RDK usage is per the following table, the referenced antenna p/n has received regulatory approval for use with the named product(s).

Alereon RDK	Antenna Part Number
AL5604	AL50001-035
AL5612	AL50001-035
AL5621	AL50001-060
AL5620	AL50001-060
AL5705	AL50001-035
AL5708	AL50001 Not Applicable
AL5720	AL50001-060
AL5721	AL50001-060
AL5722	AL50001-060

Note: AL50001-140 is for special application of AL5621.

The listed part number is the only part number that should be ordered for the product without consultation with Alereon Engineering.