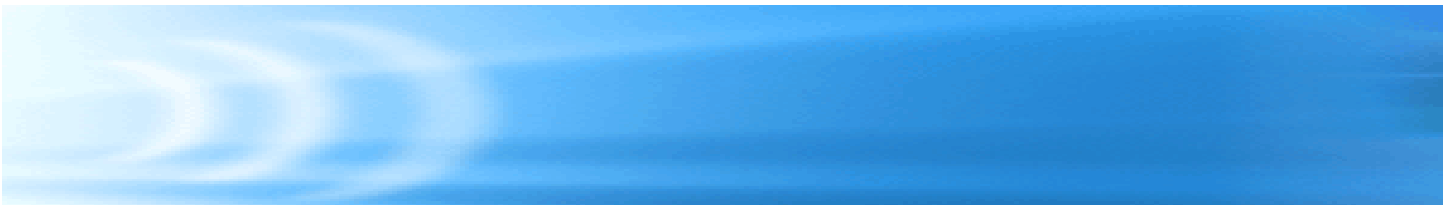


Enlarge Your World with Wireless
ACON Antenna

Product Specification



UWB Antenna

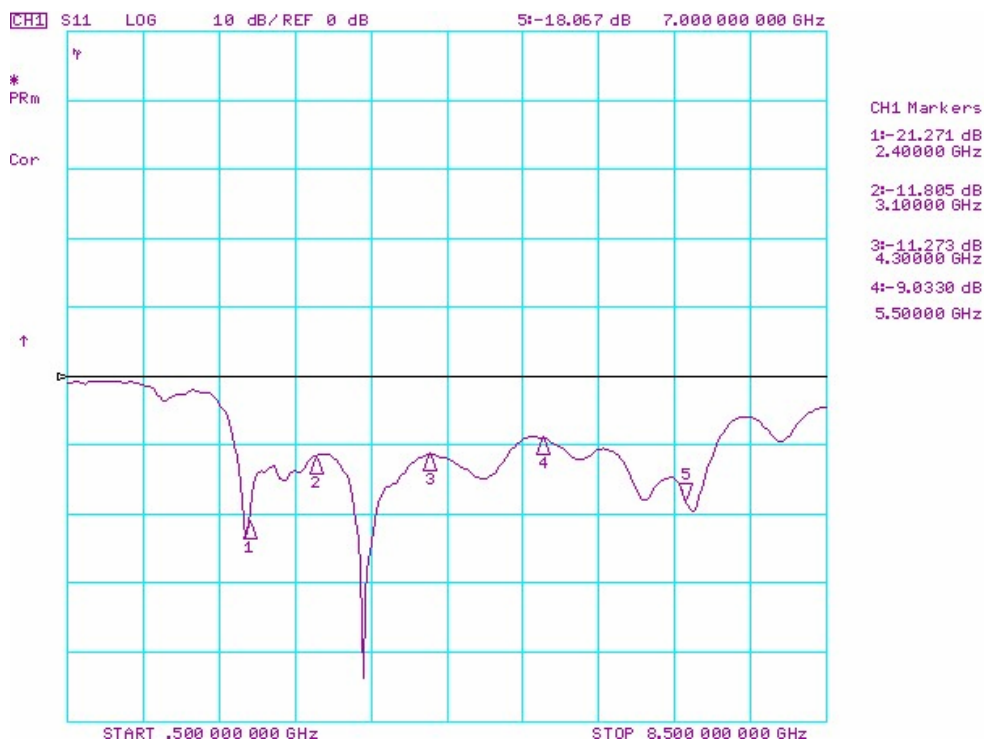
3.1~10.6GHz Wideband for UWB Application



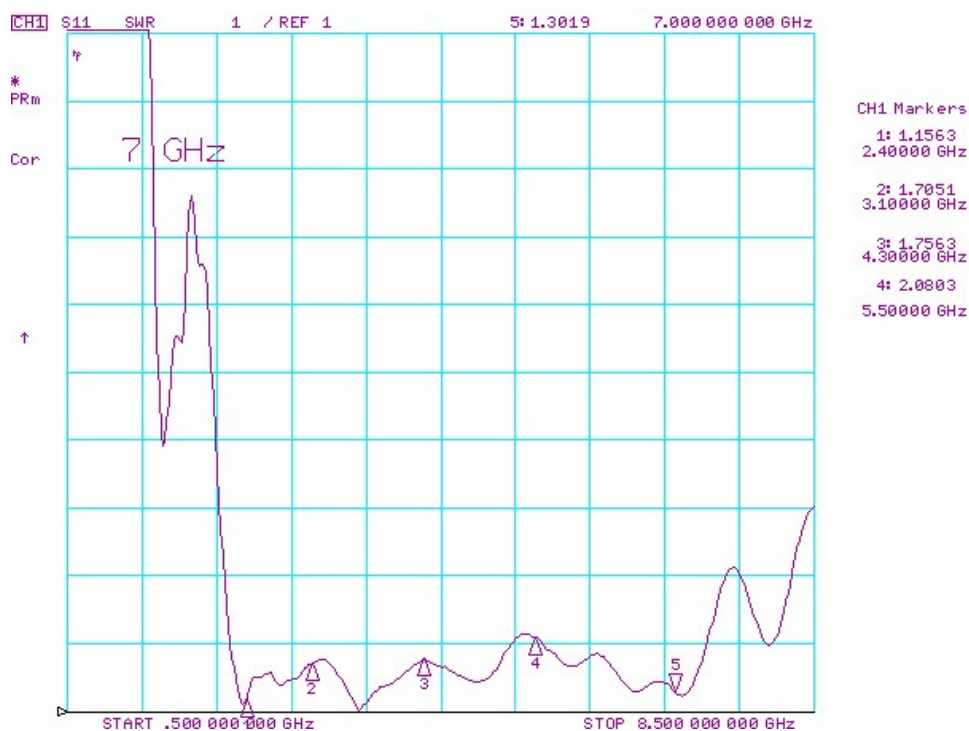
❁ Technical Information:

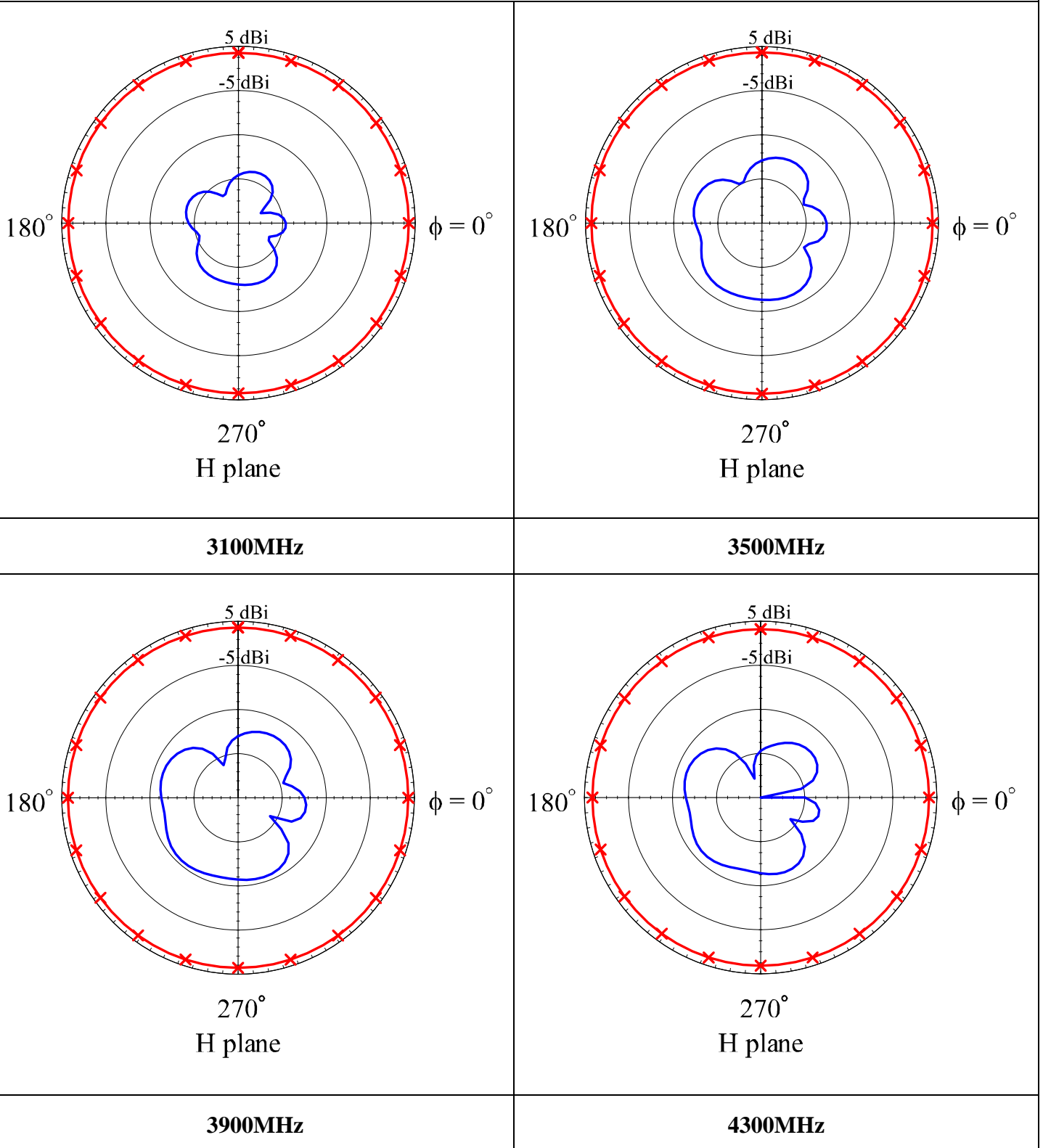
Center Frequency	3.1~10.6 GHz
Bandwidth (3.1~6GHz VSWR:2.2max.)	>3 GHz
Efficiency	>50%
Polarization	Linear
Impedance	50 ohm
Weight	10 g
Dimension (Height)	59.06 mm
Connector	MHF Plug

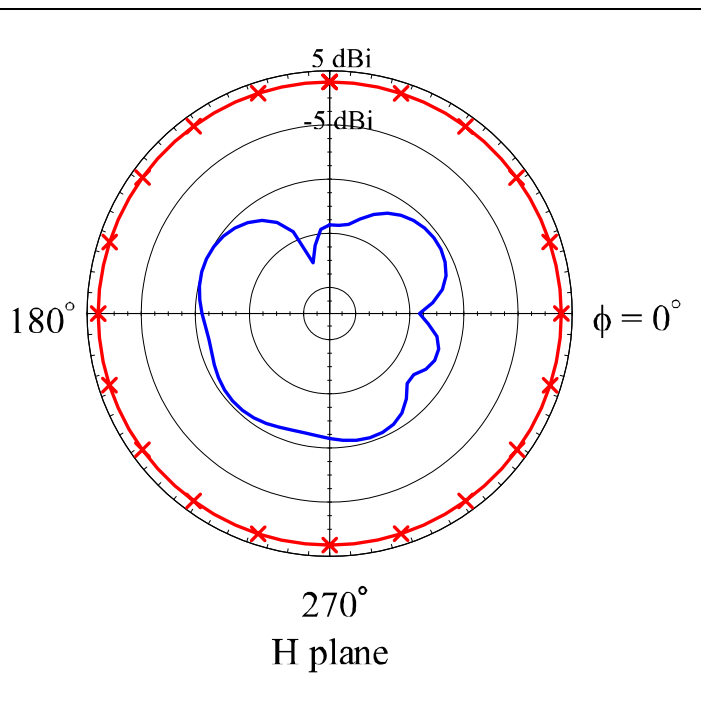
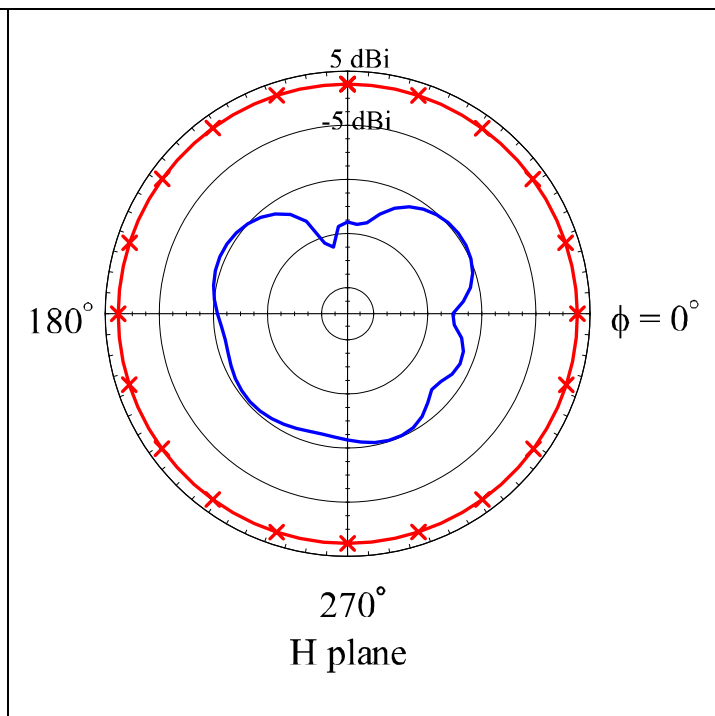
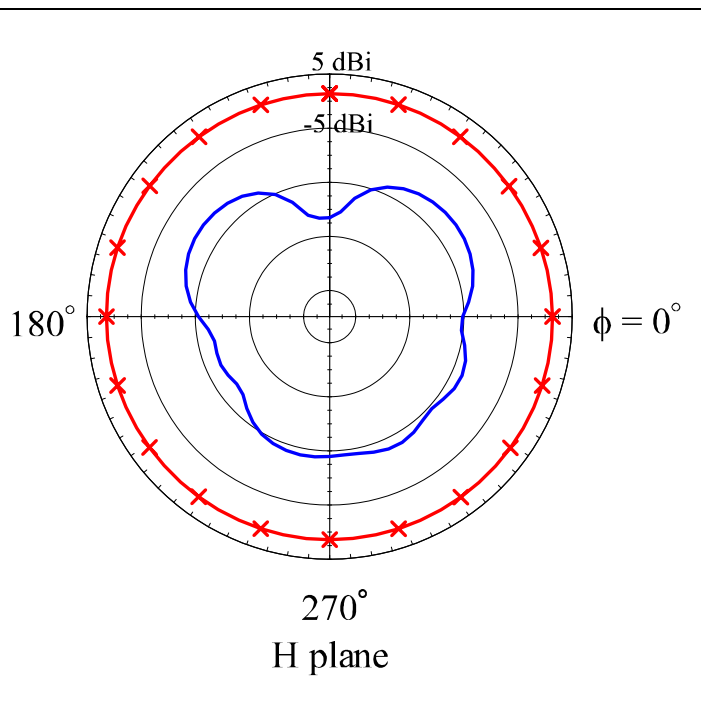
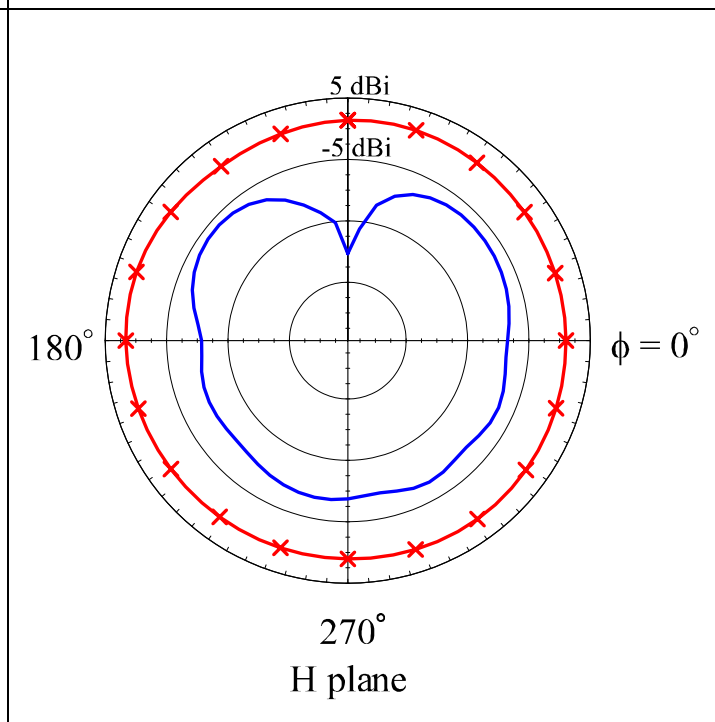
Return Loss



VSWR



Radiation pattern Azimuth gain plot (Hor+Ver)


Radiation pattern Azimuth gain plot (Hor+Ver)

4700MHz

4900MHz

5500MHz

6000MHz

Mechanical dimensions

