



# SimpliSafe™

SimpliSafe, Inc.  
294 Washington St  
Floor 9  
Boston, MA 02108

## Request for Class II Permissive Change

Date: 11/17/2022

FCC ID: U9K-PP1000

The original grant date: 09/08/2019

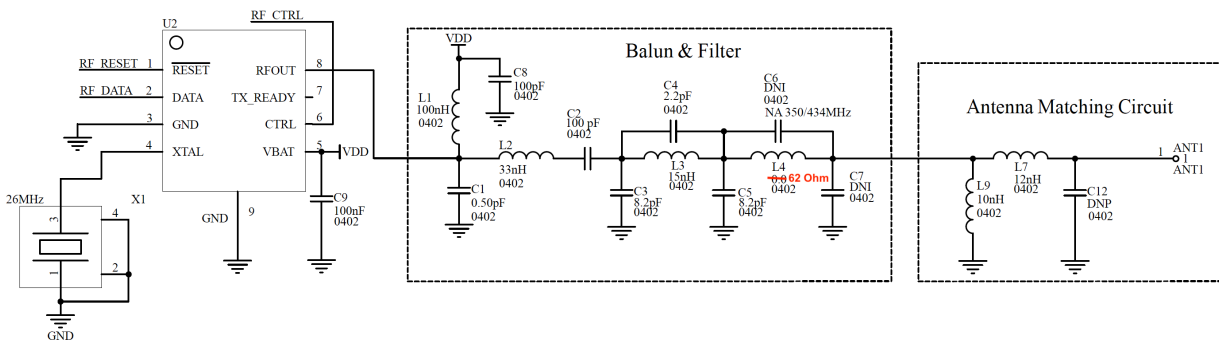
TO: Federal Communication Commission

Please be notified that we, the undersigned, SimpliSafe, Inc. declare that the reasons for this Class II permissive change are as below:

L4 change

From 0 nH 0 Ohm

To 0nH 62 Ohm.



Thank you.

Sincerely,

Dean Goodale

Hardware Compliance Manager

On behalf of Company: SimpliSafe, Inc.



**SimpliSafe**<sup>™</sup>

SimpliSafe, Inc.  
294 Washington St  
Floor 9  
Boston, MA 02108

---