



SimpliSafe™

SimpliSafe, Inc.
294 Washington St
Floor 9
Boston, MA 02108

Class II Permissive Change Letter

September 1, 2022

Federal Communications Commission
Authorization and Standards Division
7435 Oakland Mills Road
Columbia, MD 21046 USA

Re: Class II Permissive Change Application for SimpliSafe, FCC ID: U9K-KP3000

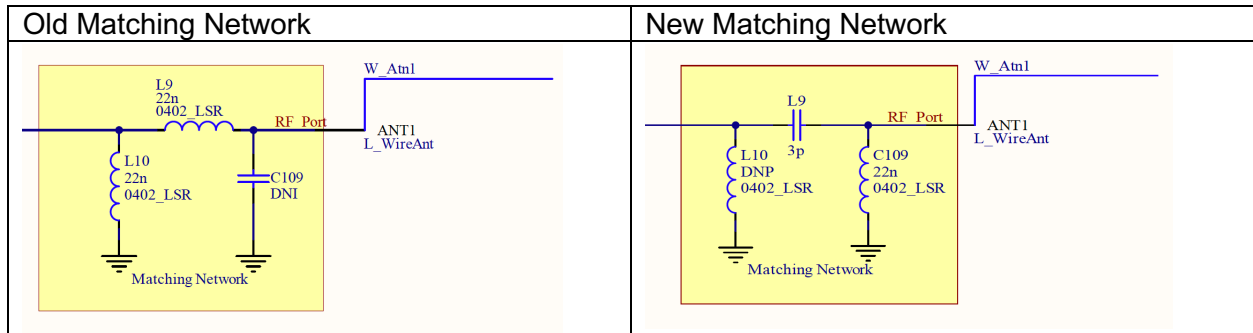
To whom it may concern:

Pursuant to CFR §2.1043, SimpliSafe hereby requests a Class II Permissive Change for its application with FCC ID: U9K-KP3000.

This change represents:

Changed passive components in antenna matching network:

Board Designator	Old Value	New Value
L9	22nH / 0pF	0 nH / 3pF
L10	22nH / 0pF	0nH / 0pF
C109	0nH / 0pF	22nH / 0pF



This change does not affect:

- Basic frequency determining and stabilizing circuitry
- Frequency multiplication stages
- Basic modulator circuit
- Integral active hardware components

This change does affect

- Degradation of performance while still meeting the minimum requirements of the applicable rules

Sincerely,

Dean Goodale
Hardware Compliance Manager
SimpliSafe