

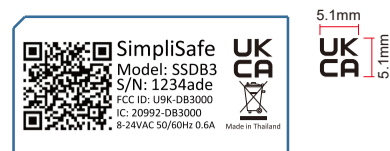
来料贴纸参考照片 (来料空白, 内部打印)
Incoming materials refer picture

标准来料方式 (卷装, 来料是空白贴纸)

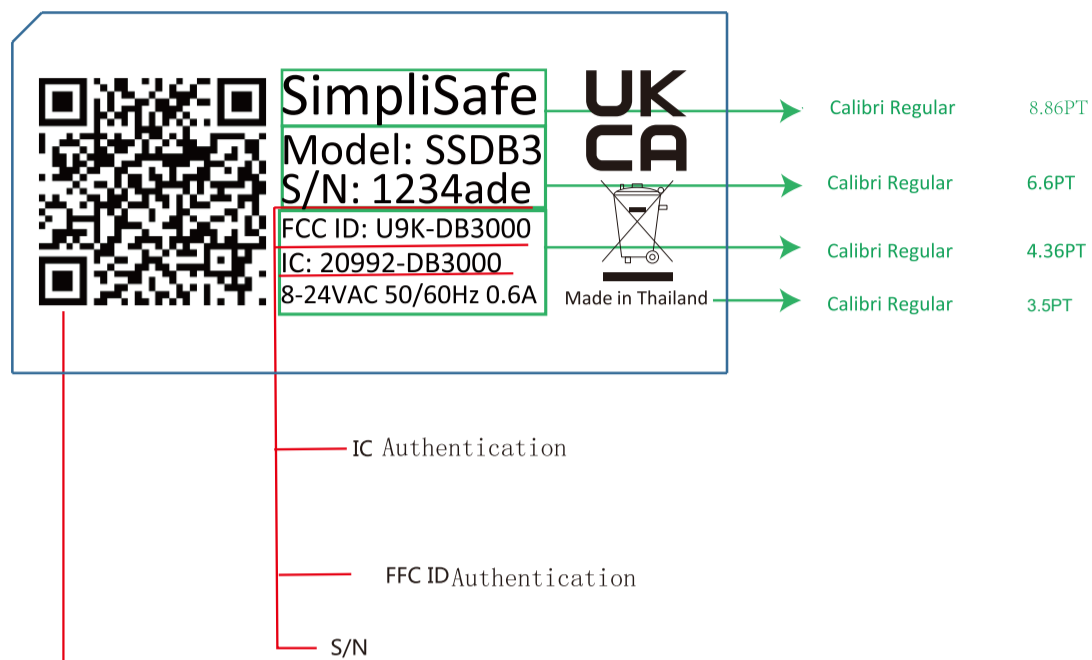
- 1、背面离型纸的宽度要求: 85±2mm
- 2、内部贴纸来料间距要均匀一致
- 3、背面离型纸必须为透明或半透明材质;
- 5、卷装, 中间的空心直径为76mm, 成型最大外径不超过200mm

Standard incoming material (roll, incoming material is blank sticker)

1. The width of the release paper on the back is 85±2mm for SS002
2. Internal stickers should have uniform spacing of incoming materials
3. the back release paper must be transparent or translucent material;
4. Coil assembly, the hollow core diameter in the middle is 76mm, and the maximum outside diameter is not more than 200mm



1:1



IC Authentication

FCC ID Authentication

S/N

QR code : Model Number(SSDB3)#A#Language#Region#UUID#Serial Number #R1#DWWYY#TH#NEW

For example: SSDB3#A#EN#US#12345678abcd#12345ef#R1#D0119#TH#NEW

备注: R1代表 Driver IC 8498

R2代表替代料 Driver IC 8707

R3代表替代料 FLASH 2G81XA

R4代表替代料 Kingston 2Gbit

R5代表替代料 DC/DC buck IC SCT2610

R6代表替代料 New wifi antenna+DC/DC Buck IC SCT 2610

SSDB3 出US:

SSDB3#A#EN#US#MAC ID#UUID#R1#DWWYY#TH#NEW => R1 : Old flash + Driver IC 8498

SSDB3#A#EN#US#MAC ID#UUID#R2#DWWYY#TH#NEW => R2 : Old flash + Driver IC 8707

SSDB3#A#EN#US#MAC ID#UUID#R3#DWWYY#TH#NEW => R3 : New flash + Driver IC 8498

SSDB3#A#EN#US#MAC ID#UUID#R4#DWWYY#TH#NEW => R4: Kingston DDR

SSDB3#A#EN#US#MAC ID#UUID#R5#DWWYY#TH#NEW => R5: DC/DC buck IC SCT2610

SSDB3#A#EN#US#MAC ID#UUID#R6#DWWYY#TH#NEW => R6: New wifi antenna+DC/DC Buck IC SCT 2610

SSDB3 出UK:

SSDB3#A#EN#UK#MAC ID#UUID#R1#DWWYY#TH#NEW => R1 : Old flash + Driver IC 8498

SSDB3#A#EN#UK#MAC ID#UUID#R2#DWWYY#TH#NEW => R2 : Old flash + Driver IC 8707

SSDB3#A#EN#UK#MAC ID#UUID#R3#DWWYY#TH#NEW => R3 : New flash + Driver IC 8498

SSDB3#A#EN#UK#MAC ID#UUID#R4#DWWYY#TH#NEW => R4: Kingston DDR

SSDB3#A#EN#UK#MAC ID#UUID#R5#DWWYY#TH#NEW => R5: DC/DC buck IC SCT2610

SSDB3#A#EN#UK#MAC ID#UUID#R6#DWWYY#TH#NEW => R6: New wifi antenna+DC/DC Buck IC SCT 2610

物料材质 material



50#PET material

印刷颜色 imprint color

No printing

其它备注 note

size: 36.3*18.3mm

  深圳市康祥电子有限公司 Kenxen Electronic (SZ) Li mi ted		制图 charting		
产品名称 Product name	SS002	物料名称 Material name	Rating Label	审核 Audit
客户代码 Customer code	SS	物料编号 Material code	DSN-SS002-SS-02B	核准 Approval
发行日期 issuing date	2022-11-22	图纸编号 Drawing number	D-APM-DSN-SS002-SS-02B	