

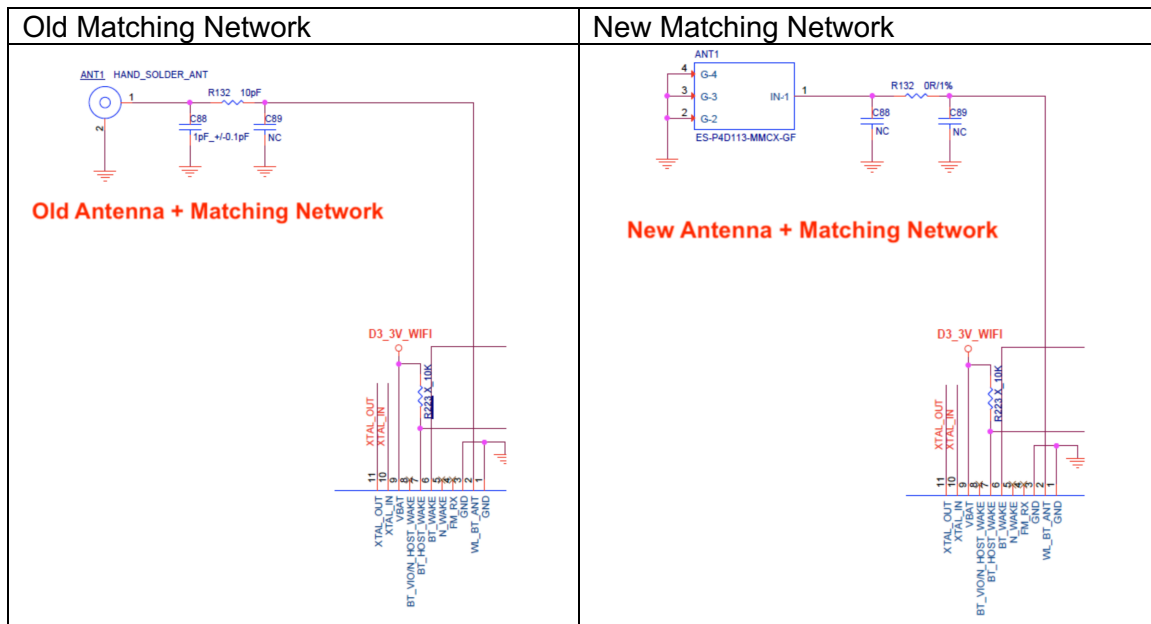
Federal Communications Commission  
Authorization and Evaluation Division  
1435 Oakland Mills Road Columbia,  
MD 21046

SUBJECT: Class II Permissive Charge for FCC ID: U9K-DB3000

The product: SSDB3 (Video Doorbell), has been granted by FCC dated 09/20/2018, FCC ID: U9K-DB3000. Now we, SimpliSafe, Inc. would like to modify the authorized equipment for below changes:

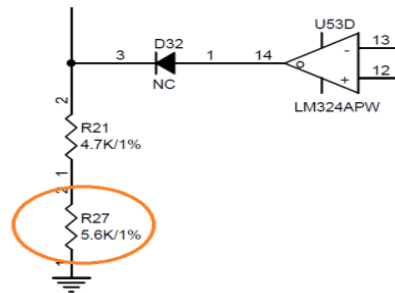
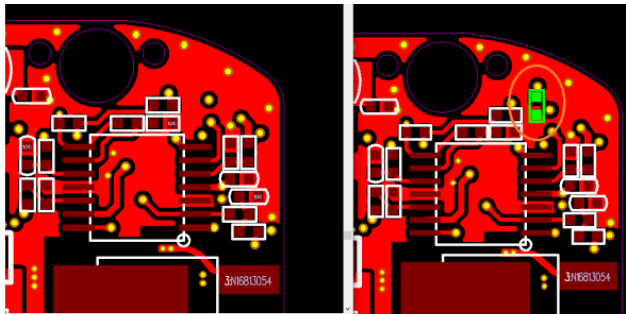
- Changed passive components in antenna matching network:

Board Designator	Old Value	New Value
ANT 1	Hand Soldered	Connector ES-P4D113-MMCX-GF
R132	10pF	0 Ohm
C88	1pF	No Connection



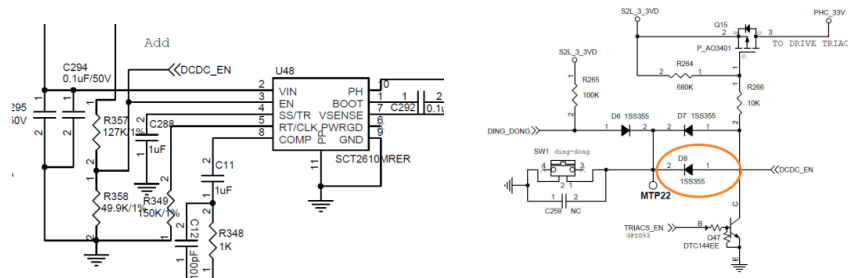
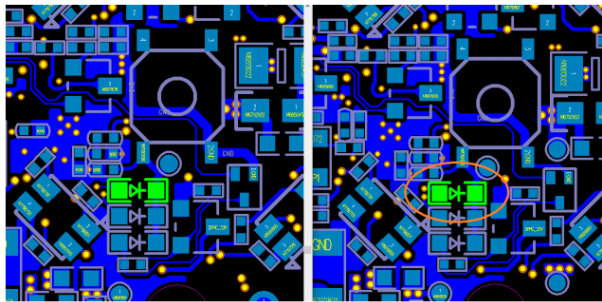
- The connection mode of AC cable/horn cable/microphone cable/antenna for the PCBA is changed from welding to plug-in type, to improve the production efficiency;
- Charging IC is changed from TPS54060 to SCT2610. Thus PCBA has minor changes as below:

- 1) Add R27. The reason is to adjust the charging feedback voltage to make it compatible with alternative charging IC SCT2610;

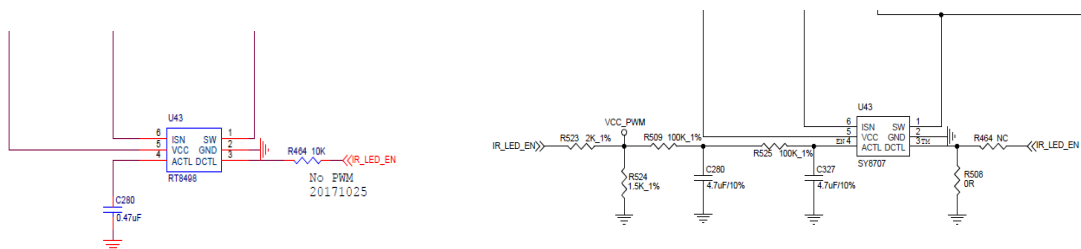


- 2) D8 is changed from NA to diode 1SS355.

to improve the problem that the charging chip cannot be completely closed when pressing the Dingdong key (improve the working stability)



- Minor changes for the LED circuit, and changed RT8498 to SY8707, the new chip is pin-for-pin compatible. This change is to facilitate the purchase of raw materials. The function and electrical characteristics have not been changed.



The above changes do not affect:

- Basic frequency determining and stabilizing circuitry
- Frequency multiplication stages
- Basic modulator circuit
- Integral active hardware components
- Maximum power that the standard required

We would like to certify the additional of certified FCC ID: U9K-DB3000 as a Class II Permissive Change in this device.

Thank you for your attention in this matter.

A handwritten signature in black ink, appearing to read "Dean Goodale". The signature is fluid and cursive, with the first name "Dean" being more prominent than the last name "Goodale".

Signatory :

Contact Person: Dean Goodale

Title: Compliance Manager

Date: 24-Feb-2023