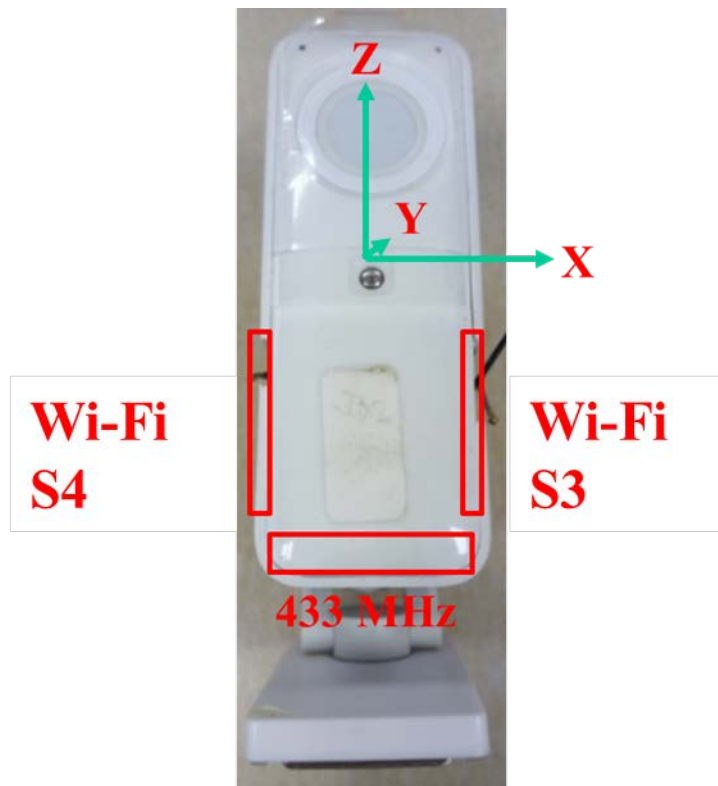
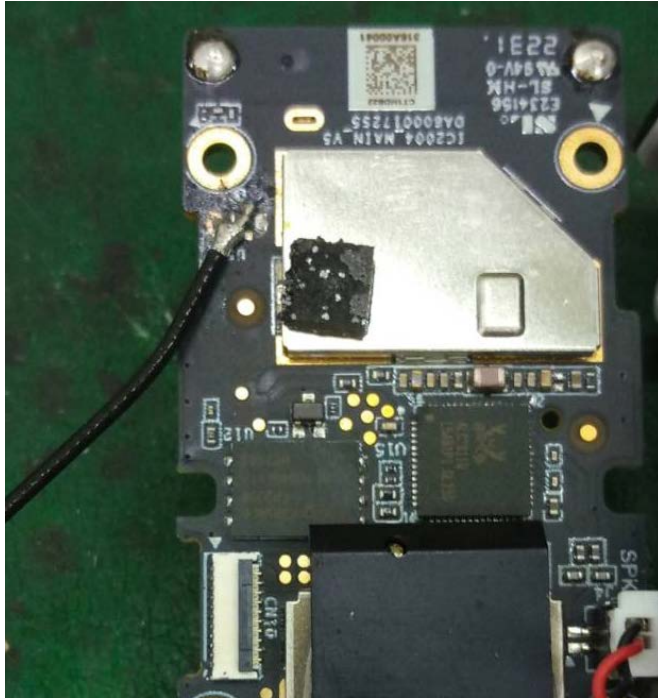


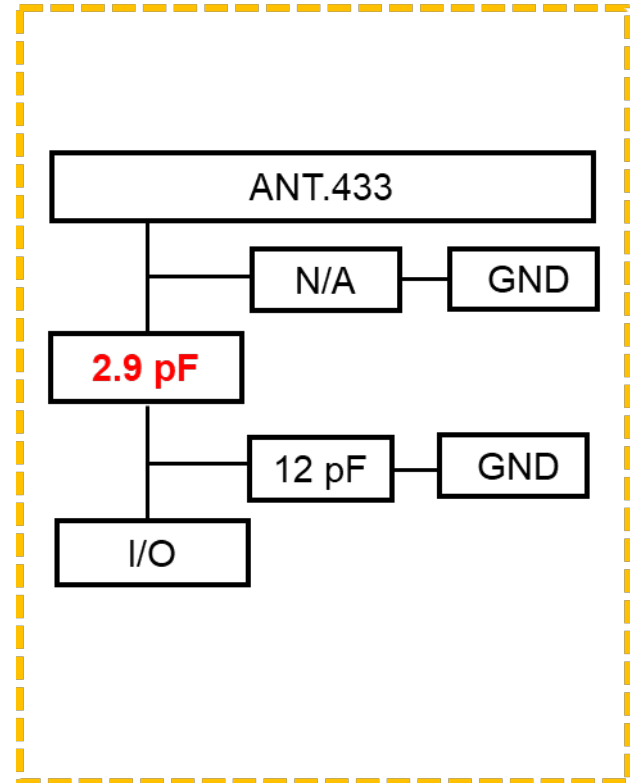
Antenna Solution Detail



Antenna Solution Detail **Sub-G**



Matching values



Antenna Report - Test photo



1. Test photo: **passive setup below the photo**→

