
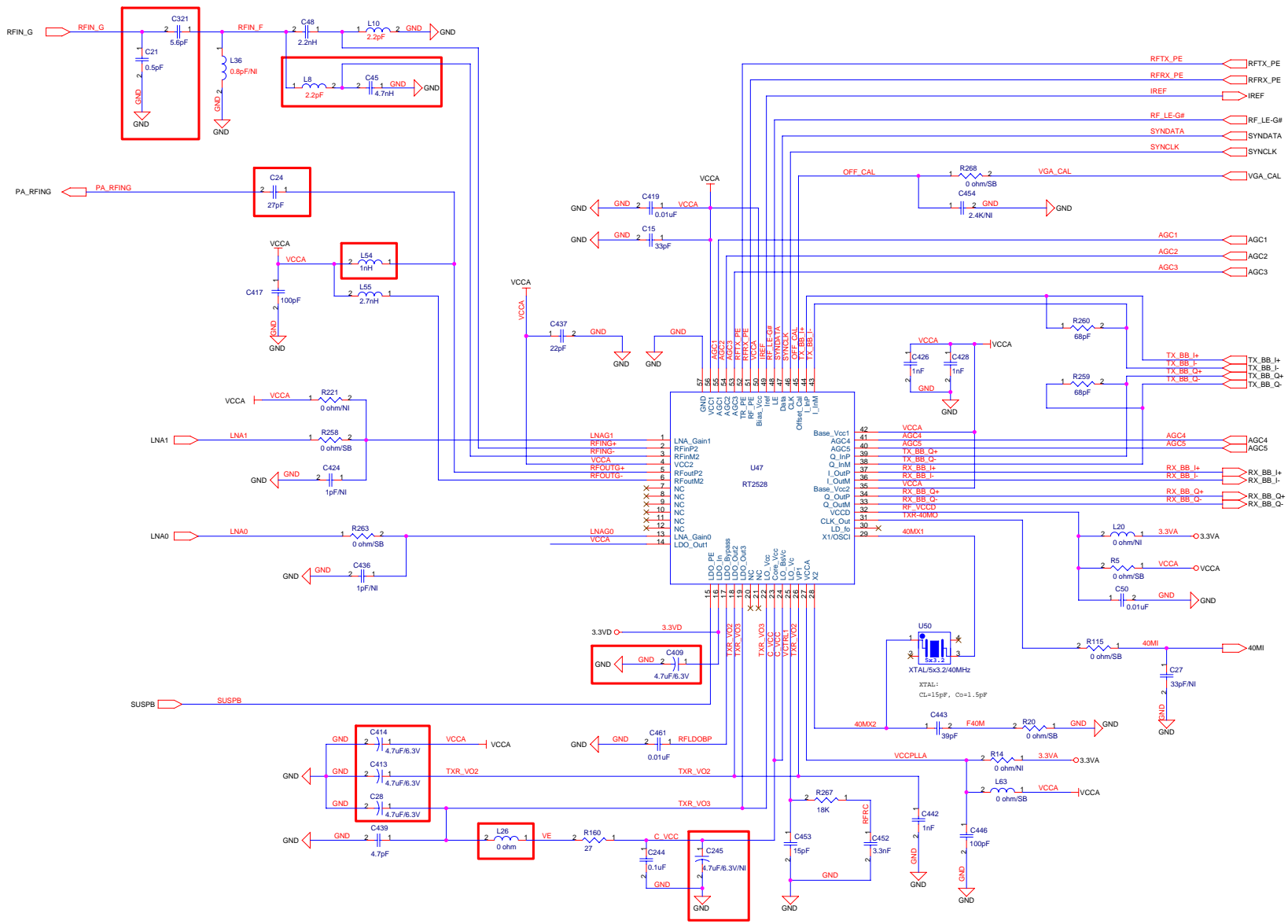



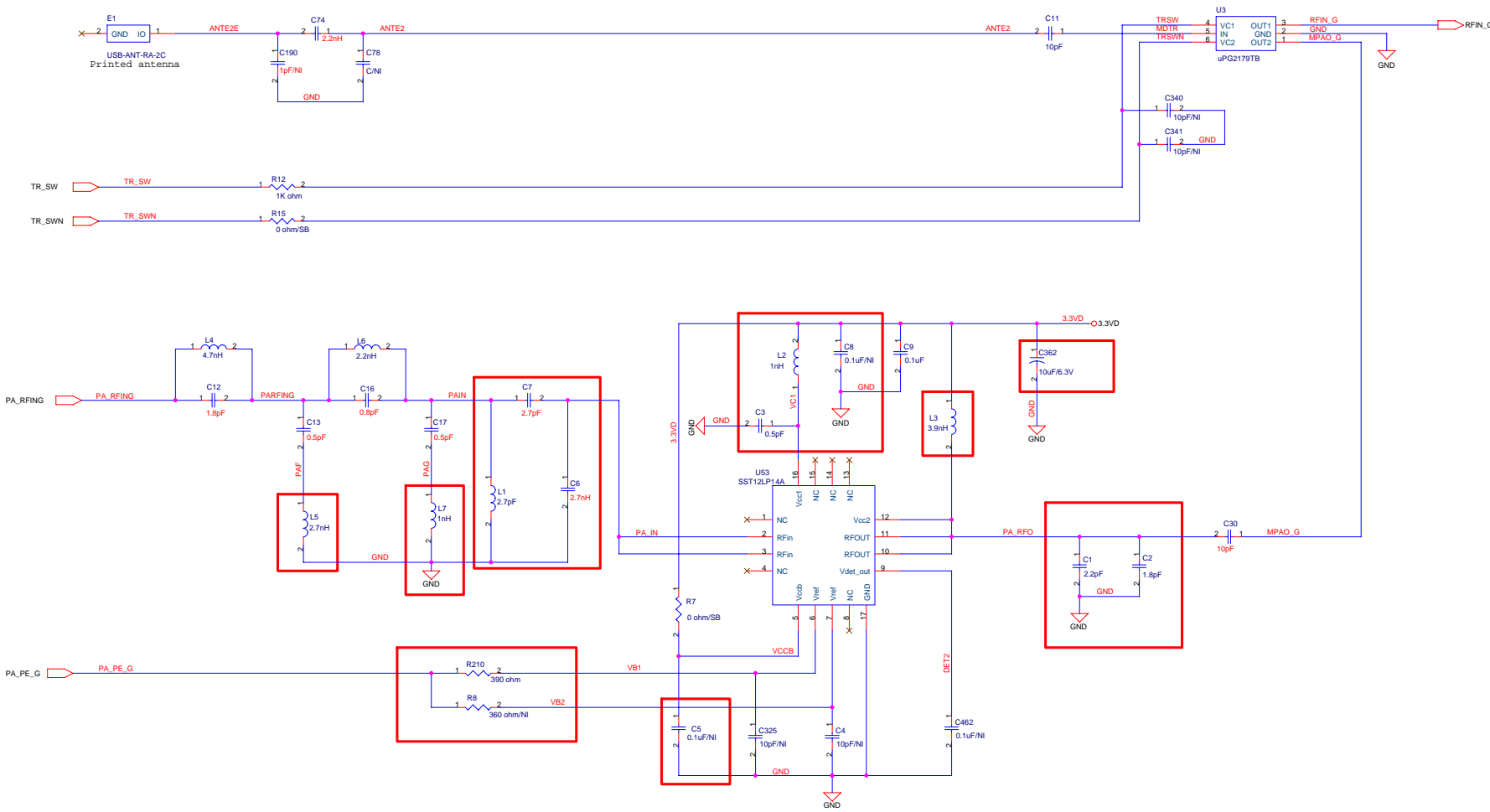
Filename:
 USB-PEN-RT2501W-V31ST-X-4L-NOBPF-060330.DSN

	RALINK TECHNOLOGY, CORP.	
	Title USB 2.0 PEN TYPE System - RT2571W + RT2528	
	Size B	Document Number USB-RT2501WUSB-V31ST-X.SCH
Date:	Friday, March 31, 2006	Sheet 1 of 5




RALINK TECHNOLOGY, CORP.
CONFIDENTIAL

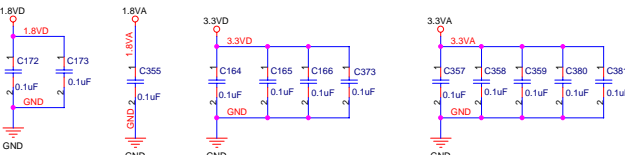
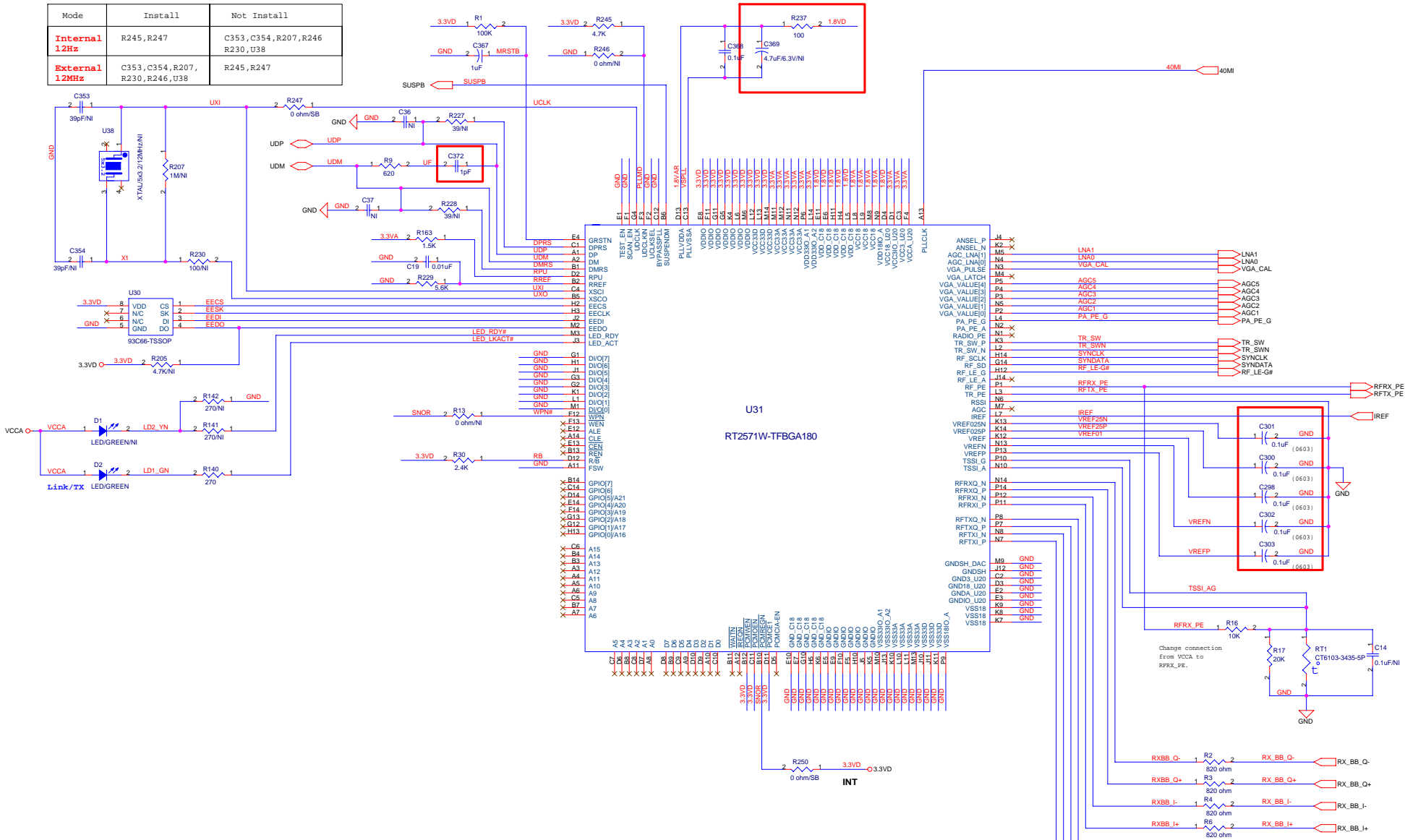
		RALINK TECHNOLOGY, CORP.	
		File	Transceiver - RT2528
Size	C	Document Number	3-RT2528-xtal.SCH
Date	Friday, March 31, 2006	Sheet	2 of 5
Rev	3.1		

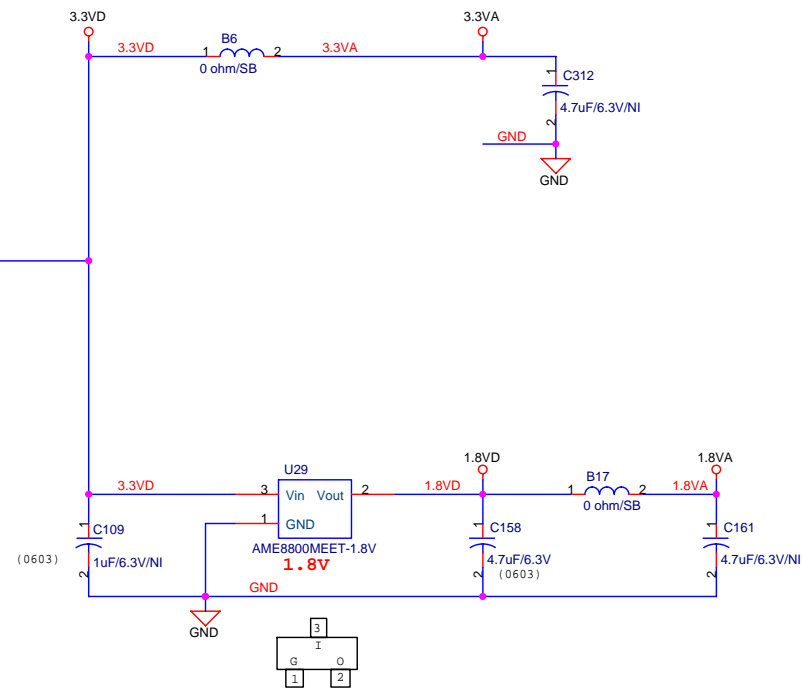
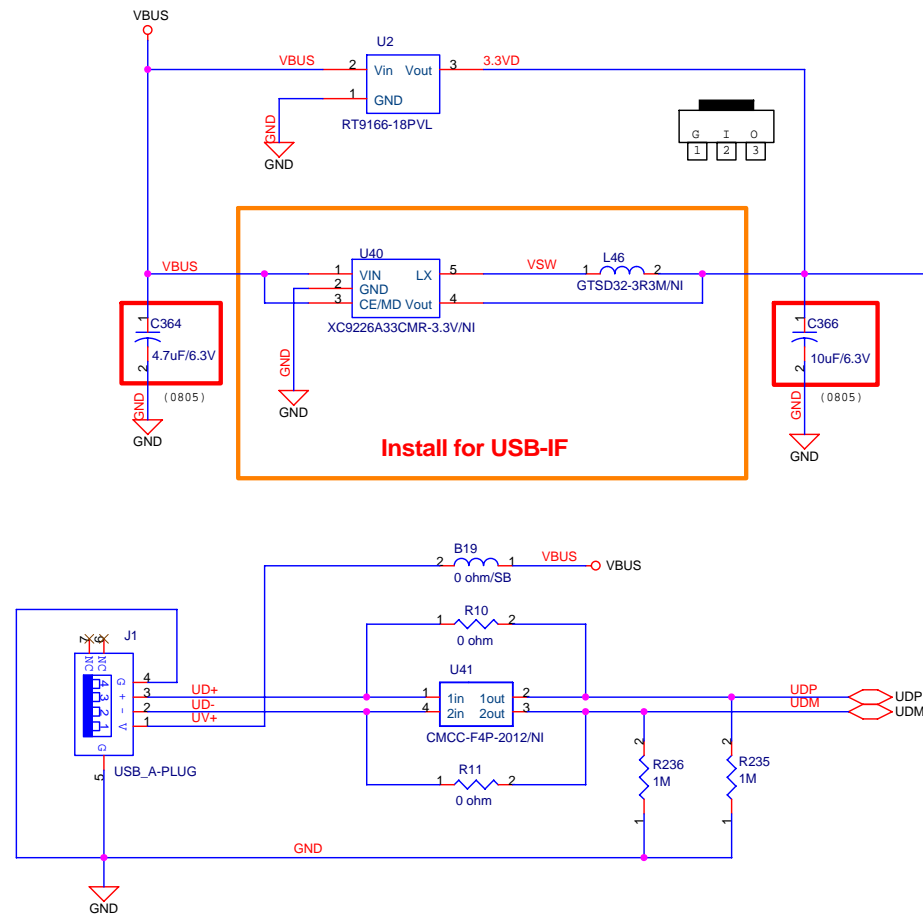


RALINK TECHNOLOGY, CORP.
CONFIDENTIAL


		RALINK TECHNOLOGY, CORP.	
		File	PA and TX/RX
Size	C	Document Number	2-PA-SST12LP14A.SCH
Date	Friday, March 31, 2006	Sheet	3 of 5
		Rev	3.1

Mode	Install	Not Install
Internal 12Hz	R245, R247	C353, C354, R207, R246 R230, U38
External 12MHz	C353, C354, R207, R230, R246, U38	R245, R247





RALINK TECHNOLOGY, CORP.
CONFIDENTIAL

	RALINK TECHNOLOGY, CORP.		
	Title PEN USB Interface and Power		
	Size B	Document Number 5-USB-A.SCH	Rev 3.1
	Date Friday, March 31, 2006	Sheet 5 of 5	