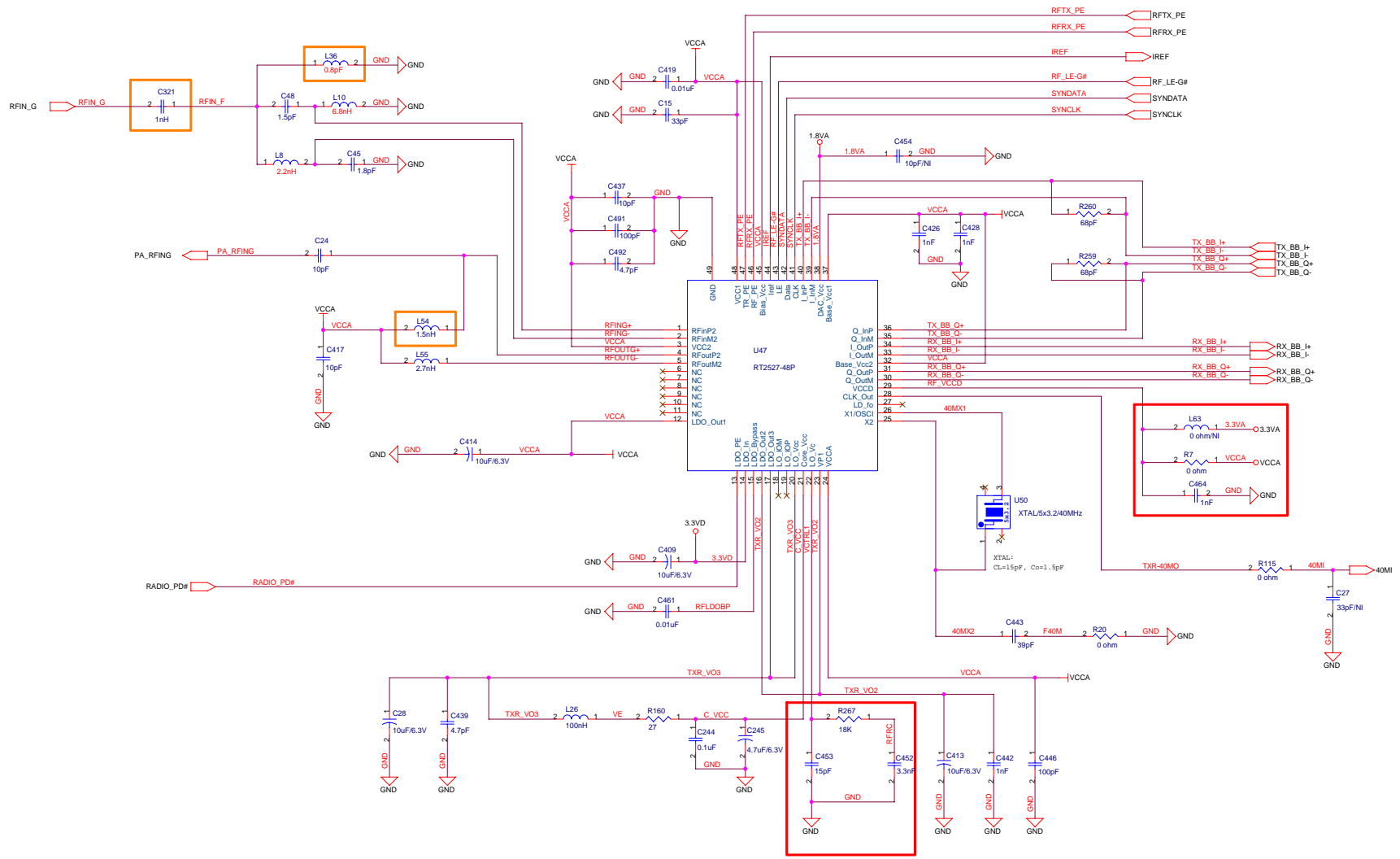
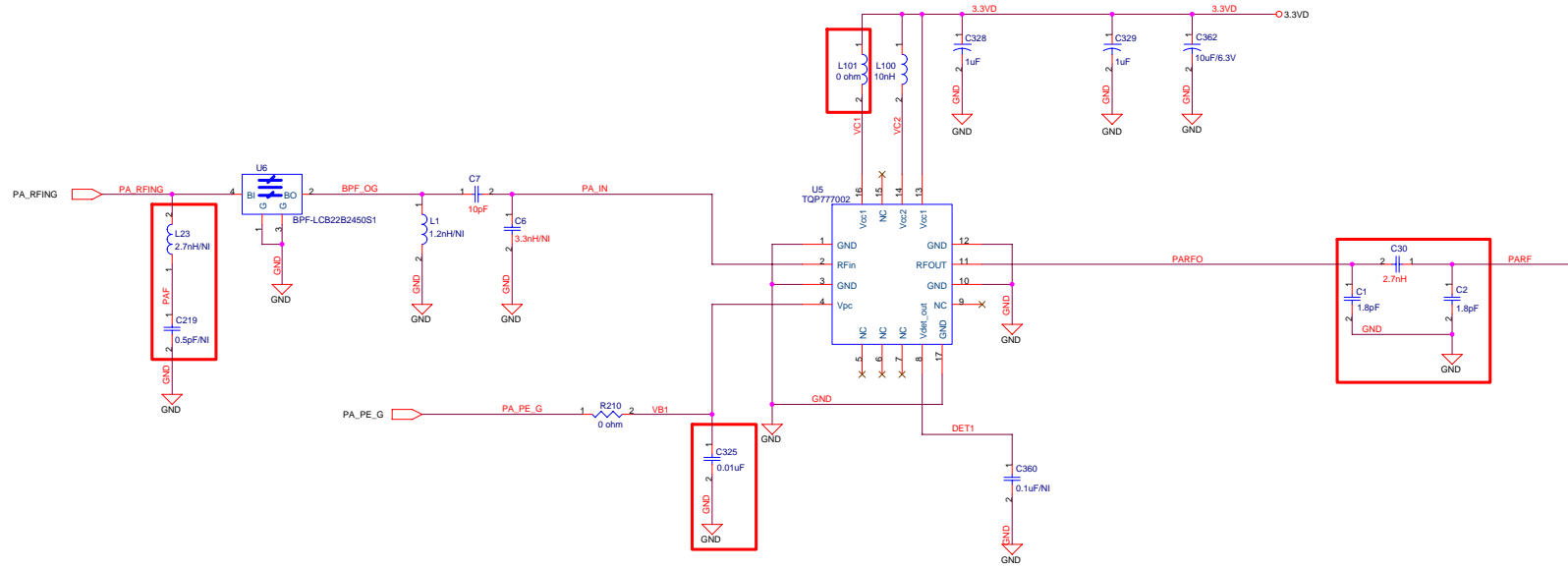
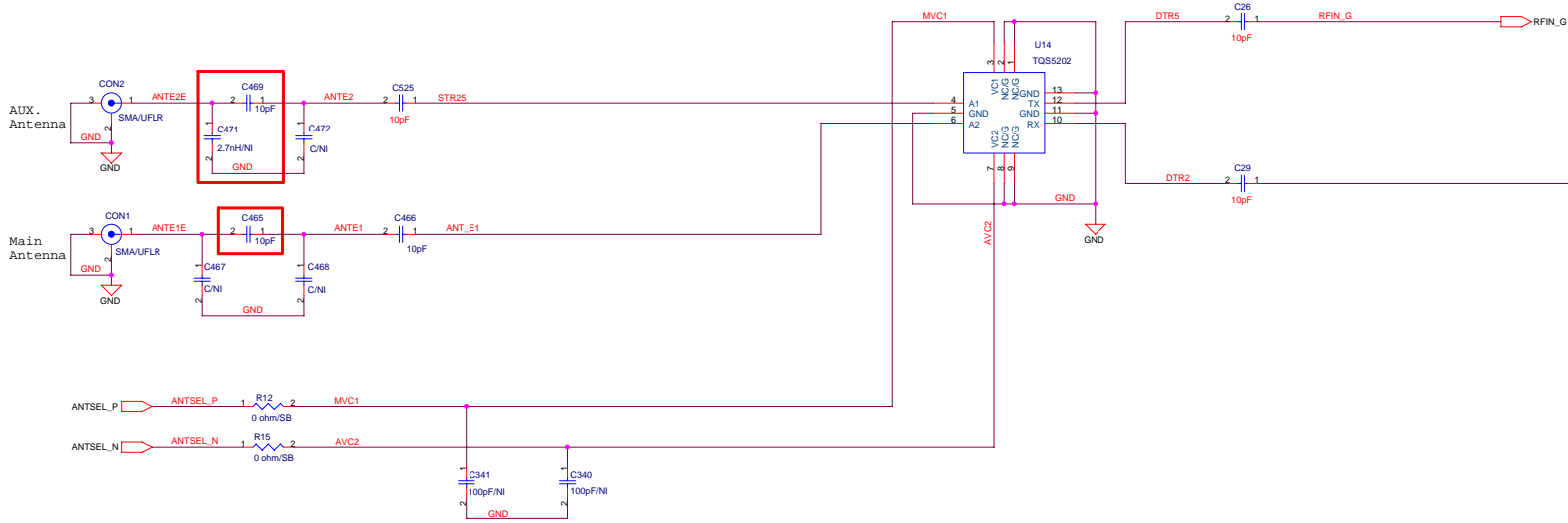


Filename:
MPCI-RT2561-RT2527-V11TQ-X-061405.DSN

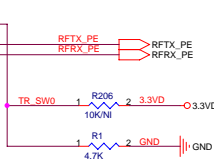
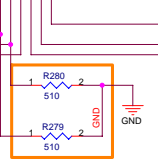
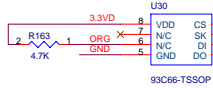
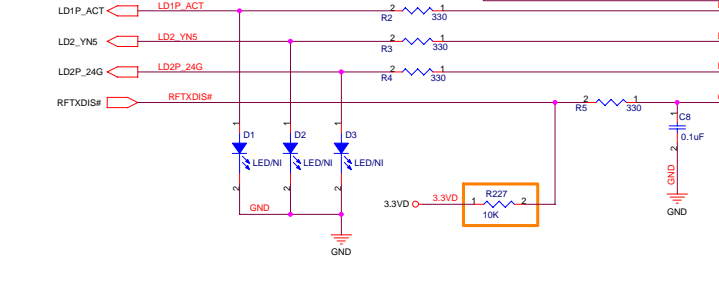
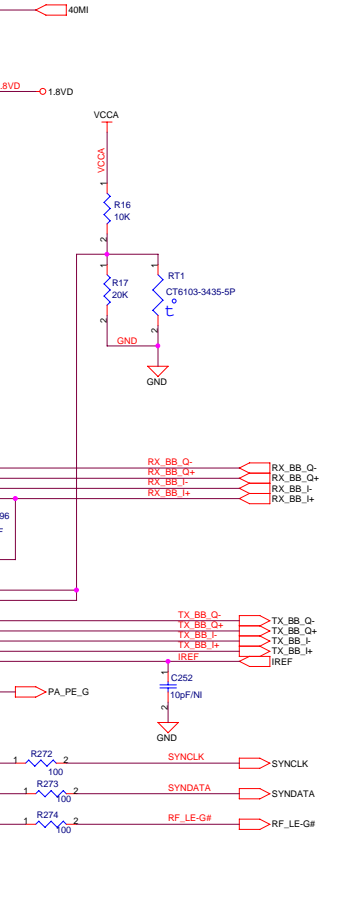
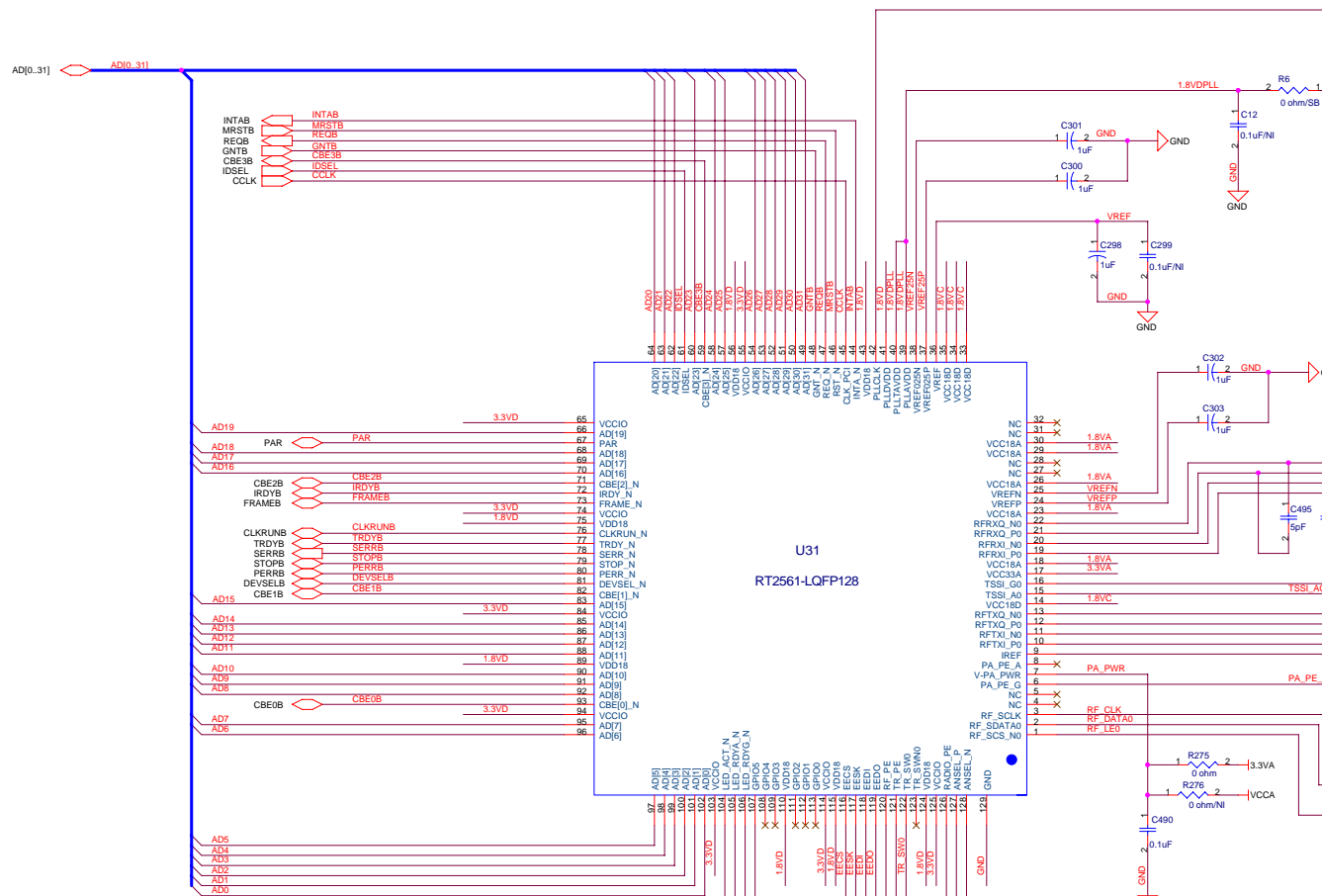
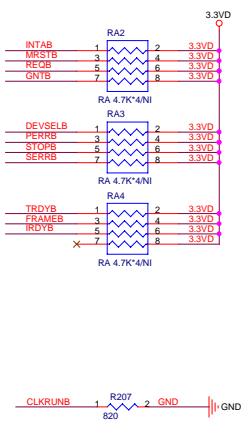
Title		
EW-7358MG V1.0 ASSY		
Size	Document Number	Rev
B	MPCI-RT2561+RT2527-V11TQ-X.SCH	A
Date:	Friday, September 09, 2005	Sheet 1 of 5



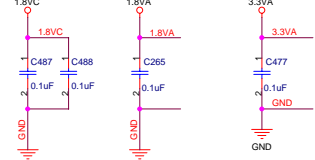
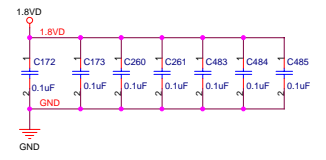
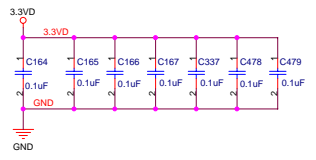
File		
EW-7358MG V1.0 Transceiver - RT2527		
Size	Document Number	Rev
C	1-RT2527-XTAL.SCH	A
Date	Friday, September 09, 2005	Sheet 2 of 5

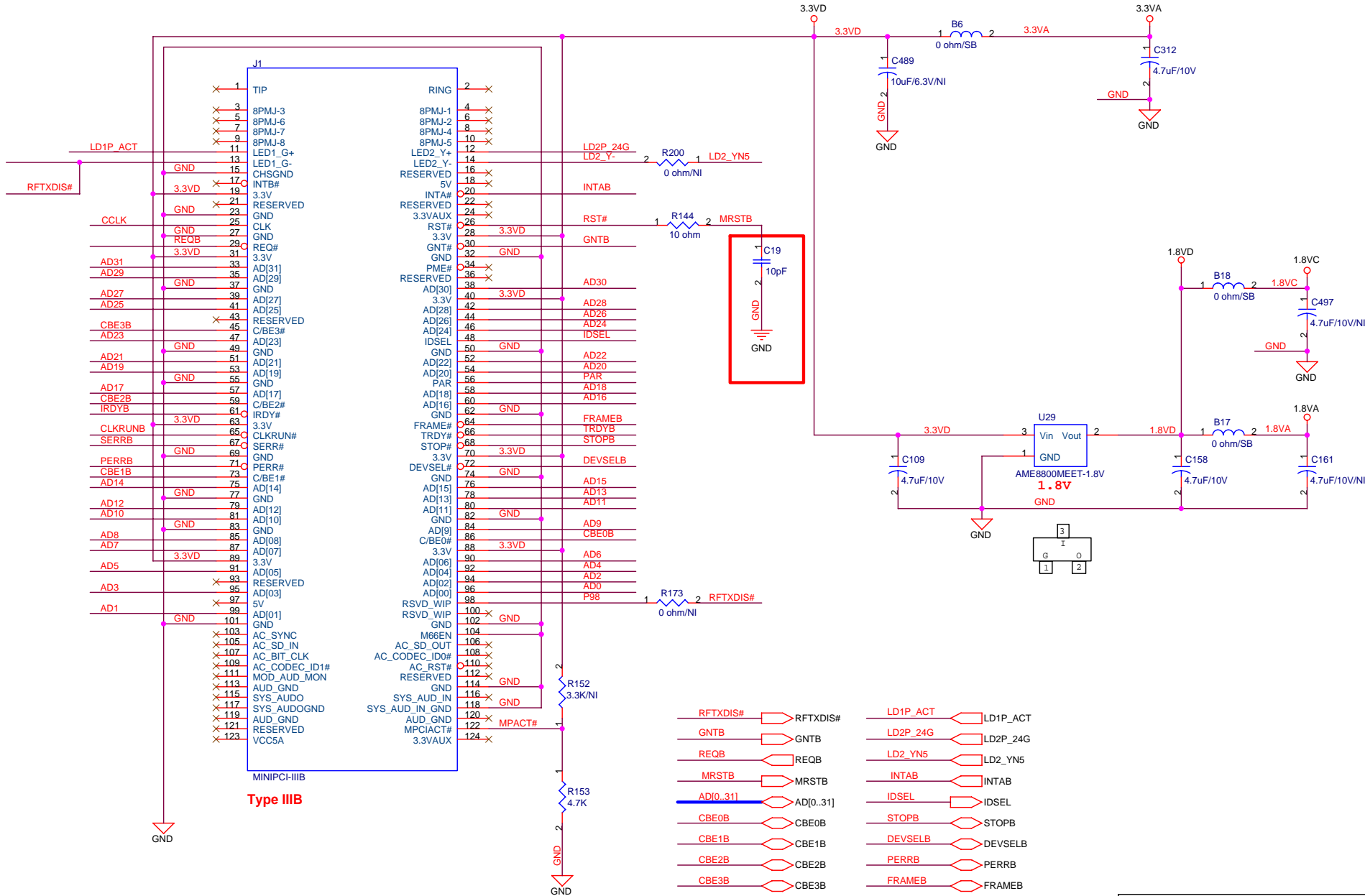


File		
EW-7358MG V1.0 PA and TX/RX		
Size	Document Number	Rev
C	2-PA-TQM7M/0001.SCH	A
Date	Friday, September 09, 2005	Sheet 3 of 5



Mode	Install	Not Install
93C46	R206	R1
93C66	R1	R206





MINIPCI-IIIB
Type IIIB

- | | | | |
|-----------|-----------|----------|----------|
| RFTXDIS# | RFTXDIS# | LD1P_ACT | LD1P_ACT |
| GNTB | GNTB | LD2P_24G | LD2P_24G |
| REQB | REQB | LD2_YN5 | LD2_YN5 |
| MRSTB | MRSTB | INTAB | INTAB |
| AD[0..31] | AD[0..31] | IDSEL | IDSEL |
| CBE0B | CBE0B | STOPB | STOPB |
| CBE1B | CBE1B | DEVSELB | DEVSELB |
| CBE2B | CBE2B | PERRB | PERRB |
| CBE3B | CBE3B | FRAMEB | FRAMEB |
| PAR | PAR | SERRB | SERRB |
| TRDYB | TRDYB | CCLK | CCLK |
| IRDYB | IRDYB | CLKRUNB | CLKRUNB |

Title		
EW-7358MG V1.0 Mini PCI Interface and Power		
Size	Document Number	Rev
B	4-MINIPCI.SCH	A
Date:	Friday, September 09, 2005	Sheet 5 of 5