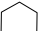

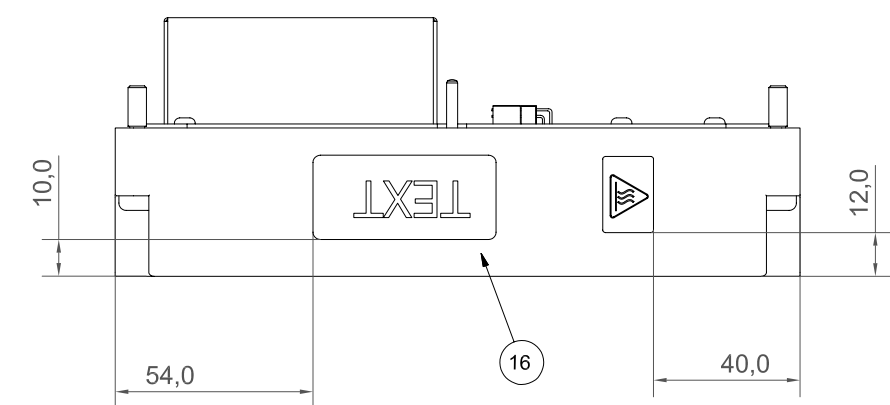
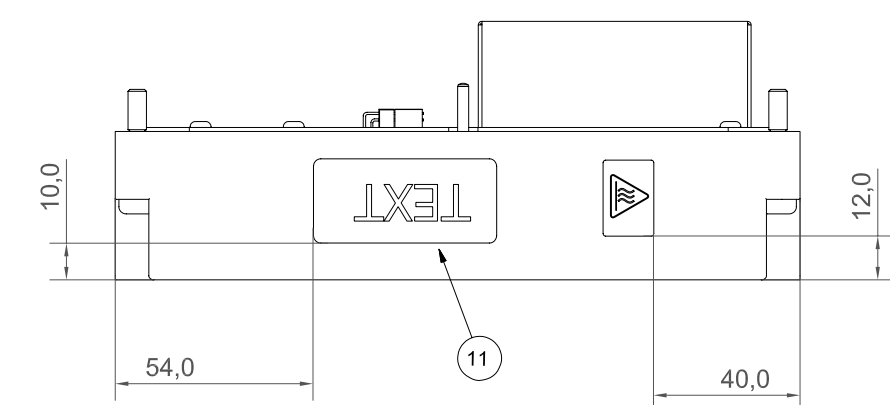
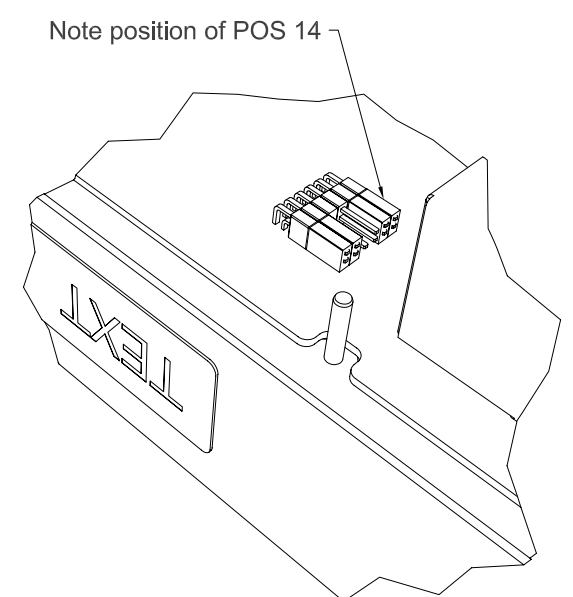
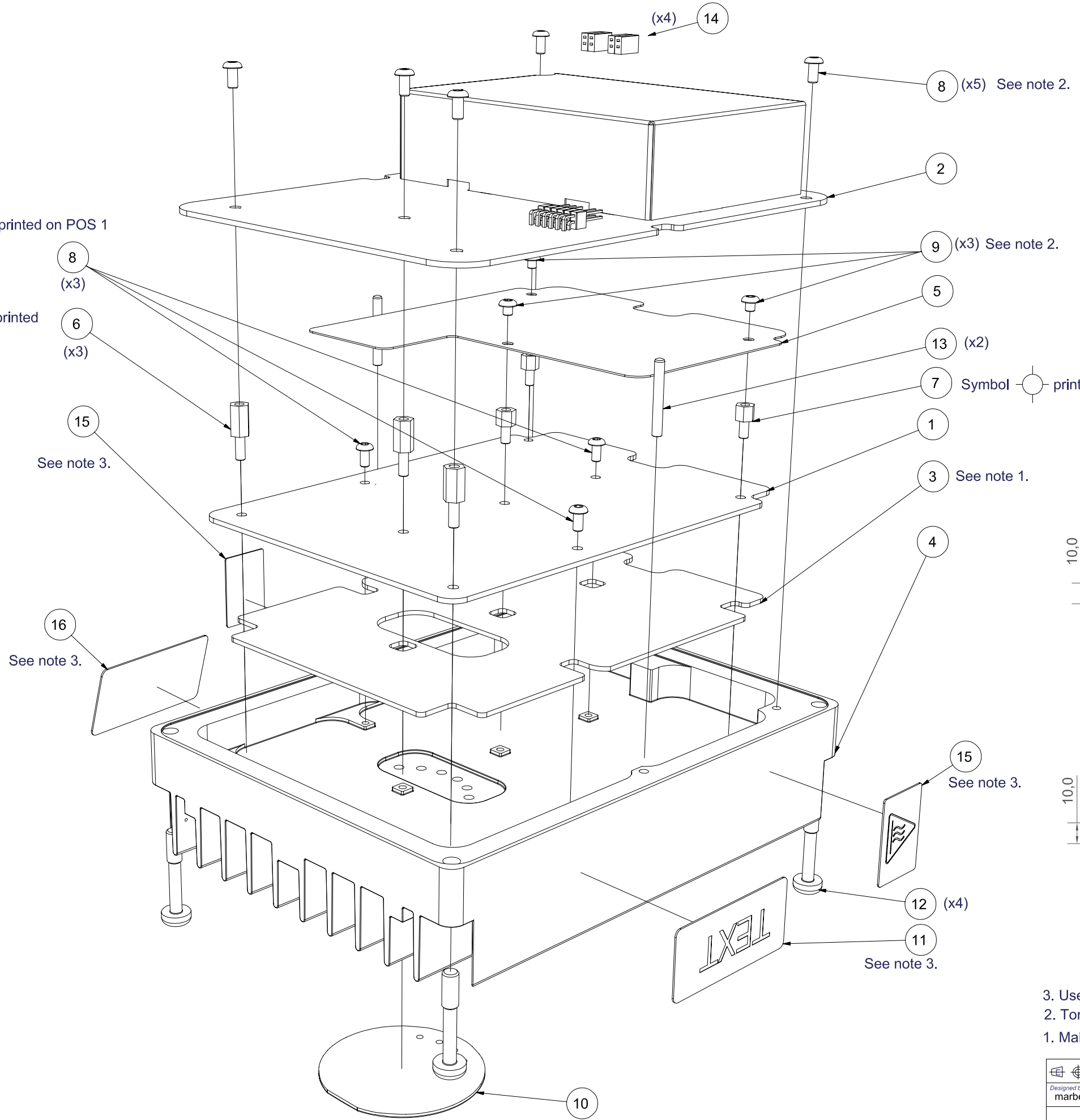


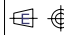
Symbol  printed on POS 1
See note 2.

Symbol  printed on POS 1
See note 2.



Text position and orientation as shown

- 3. Use some adhesive tape or glue to make sure that the label stick to surface
- 2. Torque: POS 6,7,8,9 = 60 +/- 5 Ncm
- 1. Make sure the white soft side is facing bottom side of POS 1

	General Tolerances N/A	General surface smoothness N/A	Surface treatment N/A	Material N/A
Designed by marbe, daru	Approved by appr by	Filename PU1067_1-DD014 (Assembly Drawing).ldw	Date 2006-12-13	Scale N/A
Schneider Electric Powerline Communication AB		Title ILV2010 HE Top		
Drawing number PU1071/1-DD014		Edition PC1	Sheet 1 / 1	