

LAN and Ethernet WAN Ports		
Green LED	ON	POE Enabled
	OFF	POE Disabled
Orange LED	Blinking	10 / 100 / 1000 Mbps and Data is transferring
	OFF	No data is being transferred or port is not connected
Port Type	Auto MDI/MDI-X ports	

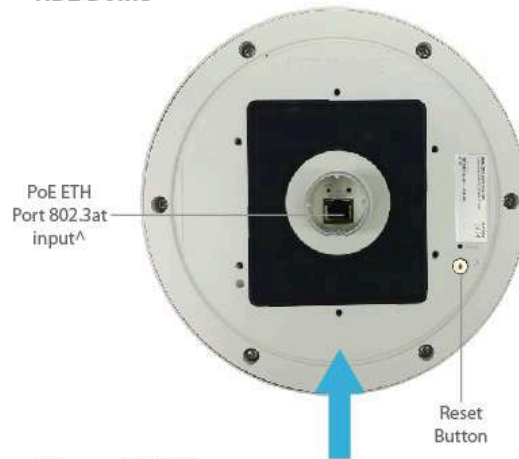
2.5 MAX HD Dome

2.5.1 Panel Appearance



#SIM Injector is available separately
 ^Ethernet LAN port can be split into two LAN ports using the included splitter (1x LAN 802.3af PoE out, 1x LAN PoE in)

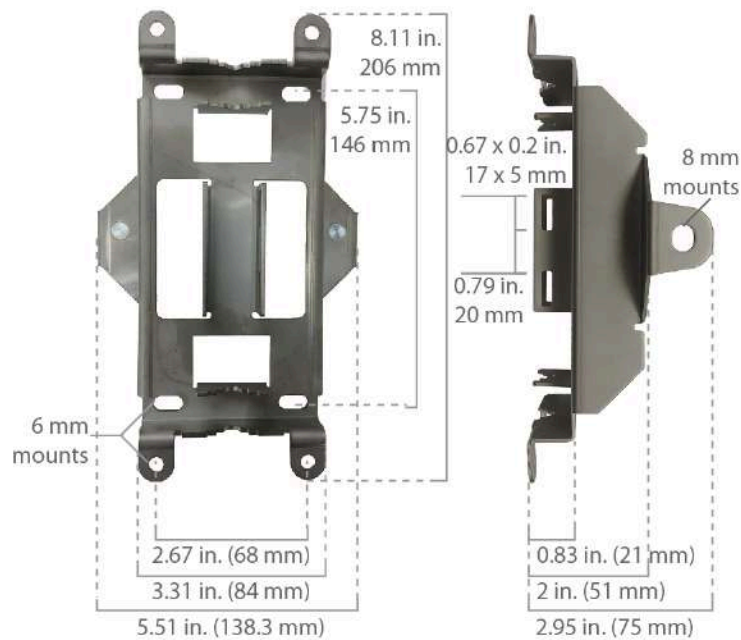
HD2 Dome



Ethernet Splitter

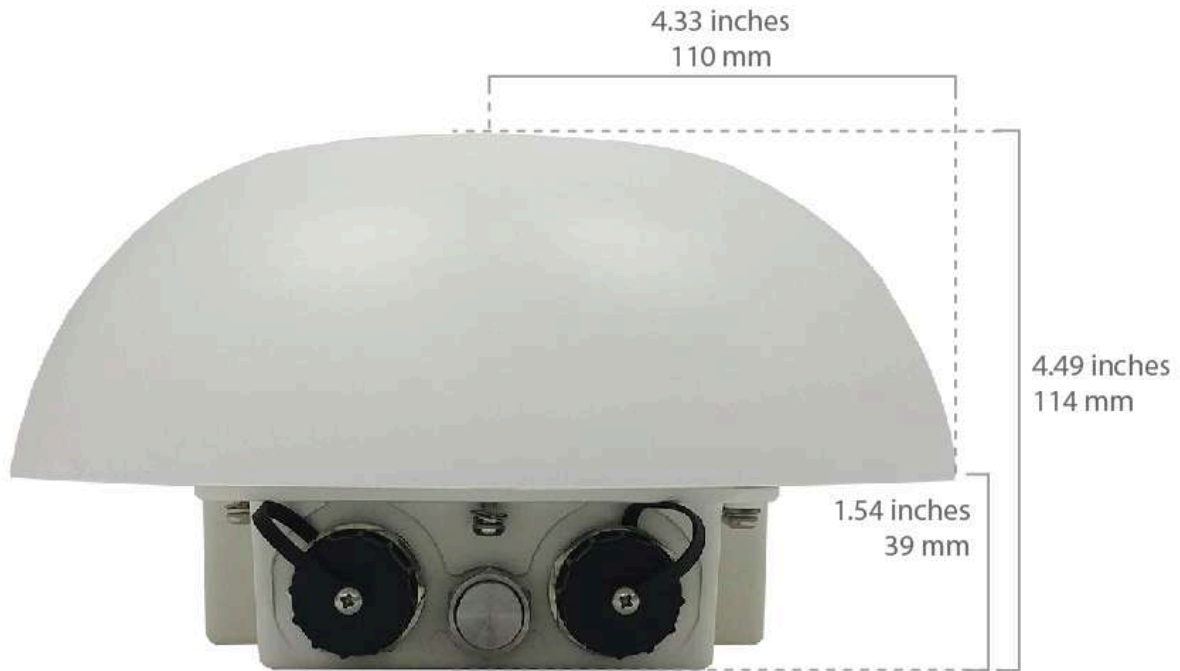


Mounting Bracket



2.6 MAX HD Dome Pro

2.6.1 Panel Appearance



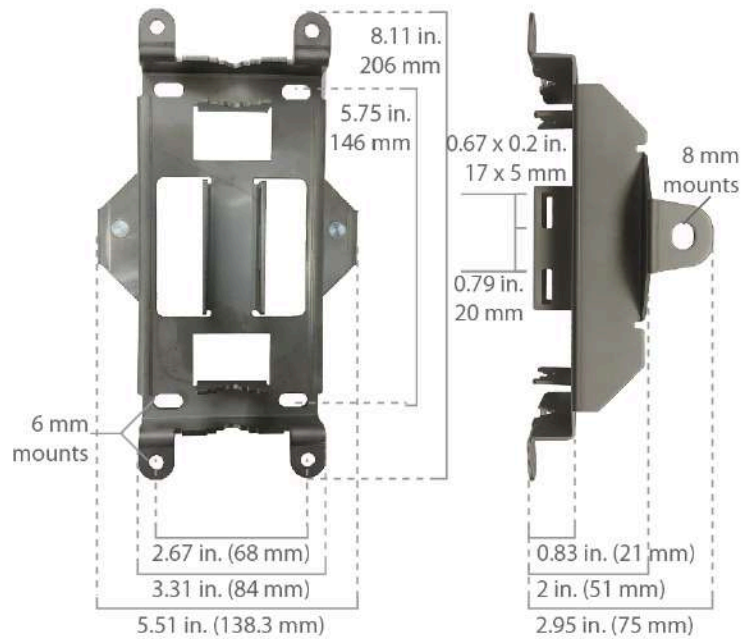
#SIM Injector is available separately
 ^Ethernet LAN port can be split into two LAN ports
 using the included splitter (1x LAN 802.3af PoE out, 1x LAN PoE in)



Ethernet Splitter



Mounting Bracket



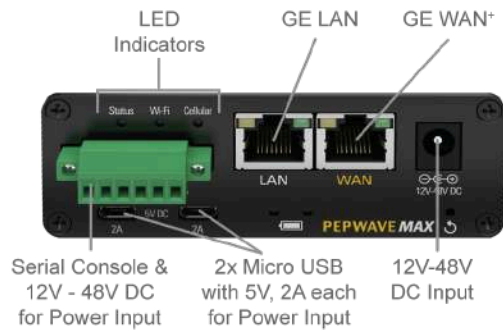
2.7 MAX Transit / MAX Transit Duo (CAT-12)

2.7.1 Panel Appearance

MAX-TST / MAX-TST-DUO (CAT-12)

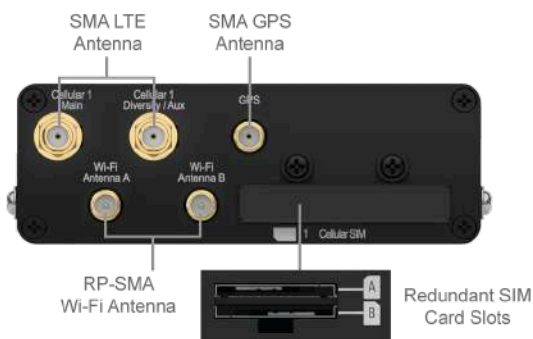


Front

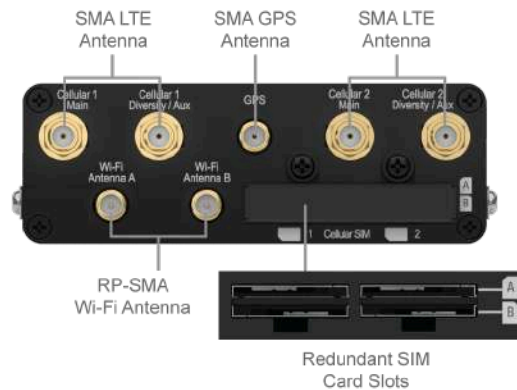


Back

MAX-TST (CAT-12)



MAX-TST-DUO (CAT-12)



2.7.2 LED Indicators

The statuses indicated by the front panel LEDs are as follows:

Status Indicators		
Status	OFF	System initializing
	Red	Booting up or busy
	Blinking red	Boot up error
	Green	Ready

Cellular Indicators		
Cellular 1 / Cellular 2*	OFF	Disabled or no SIM card inserted
	Blinking slowly	Connecting to network(s)
	Green	Connected to network(s)

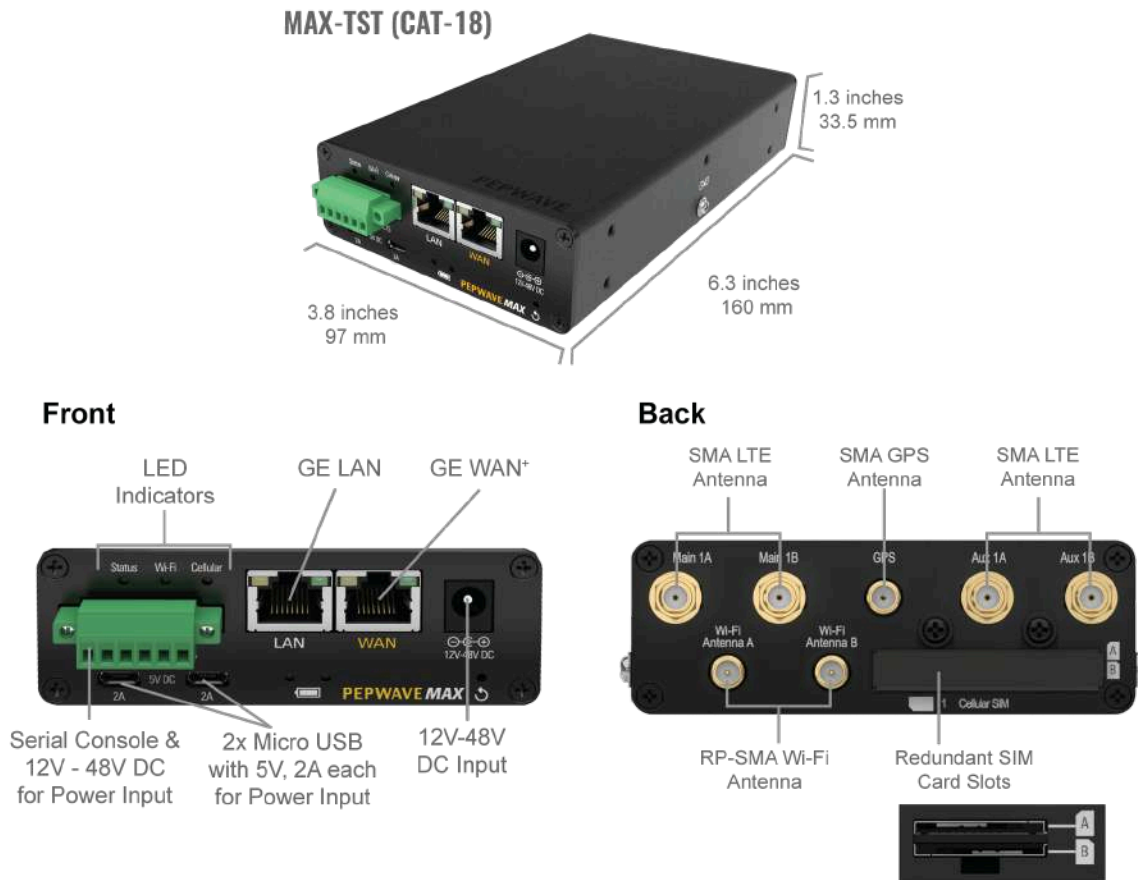
* For MAX-TST_DUO

Wi-Fi Indicators		
Wi-Fi	OFF	Wi-Fi AP is turn off
	Blinking	Wi-Fi AP is turn on

LAN and Ethernet WAN Ports		
Green LED	ON	1000 Mbps
	OFF	10 Mbps / 100 Mbps or port is not connected
Orange LED	ON	Port is connected without traffic
	Blinking	Data is transferring
	OFF	Port is not connected
Port Type	Auto MDI/MDI-X ports	

2.8 MAX Transit (CAT-18)

2.8.1 Panel Appearance



2.8.2 LED Indicators

The statuses indicated by the front panel LEDs are as follows:

Status Indicators		
Status	OFF	System initializing
	Red	Booting up or busy
	Blinking red	Boot up error
	Green	Ready

Cellular Indicators		
Cellular 1 / Cellular 2*	OFF	Disabled or no SIM card inserted
	Blinking slowly	Connecting to network(s)
	Green	Connected to network(s)

* For MAX-TST_DUO

Wi-Fi Indicators		
Wi-Fi	OFF	Wi-Fi AP is turn off
	Blinking	Wi-Fi AP is turn on

LAN and Ethernet WAN Ports		
Green LED	ON	1000 Mbps
	OFF	10 Mbps / 100 Mbps or port is not connected
Orange LED	ON	Port is connected without traffic
	Blinking	Data is transferring
	OFF	Port is not connected
Port Type	Auto MDI/MDI-X ports	

2.9 MAX Transit 5G

2.9.1 Panel Appearance



2.9.2 LED Indicators

The statuses indicated by the front panel LEDs are as follows:

Status Indicators		
Status	OFF	System initializing
	Red	Booting up or busy
	Blinking red	Boot up error
	Green	Ready

Cellular Indicators		
Cellular 1 / Status	OFF	Disabled or no SIM card inserted
	Blinking slowly	Connecting to network(s)
	Green	Connected to network(s)

Wi-Fi Indicators		
Wi-Fi	OFF	Wi-Fi AP is turn off
	Blinking	Wi-Fi AP is turn on

LAN and Ethernet WAN Ports		
Green LED	ON	1000 Mbps
	OFF	10 Mbps / 100 Mbps or port is not connected
Orange LED	ON	Port is connected without traffic
	Blinking	Data is transferring
	OFF	Port is not connected
Port Type	Auto MDI/MDI-X ports	

2.10 MAX Transit Mini

2.10.1 Panel Appearance



2.10.2 LED indicators

The statuses indicated by the front panel LEDs are as follows:

Status Indicators		
Status	OFF	System initializing
	Red	Booting up or busy
	Blinking red	Boot up error
	Green	Ready

Wi-Fi Indicators		
Wi-Fi	OFF	Disabled intermittent
	Blinking slowly	Connecting to wireless network(s)
	Blinking	Connected to wireless network(s) with traffic
	ON	Connected to wireless network(s) without traffic

Cellular Indicators		
Cellular	OFF	Disabled or no SIM card inserted
	Blinking slowly	Connecting to network(s)
	Green	Connected to network(s)

2.11 MAX Transit Pro E

2.11.1 Panel Appearance



2.11.2 LED indicators

The statuses indicated by the front panel LEDs are as follows:

Status Indicators		
Status	OFF	System initializing
	Red	Booting up or busy
	Blinking red	Boot up error
	Green	Ready

LAN 1 Port		
Green LED	ON	POE Enabled
	OFF	POE Disabled
Orange LED	Blinking	10 / 100 / 1000 Mbps and Data is transferring
	OFF	No data is being transferred or port is not connected
Port Type	Auto MDI/MDI-X ports	

LAN 2-3 Port and Ethernet WAN Port		
Green LED	ON	1000 Mbps
	OFF	10 Mbps / 100 Mbps or port is not connected
Orange LED	ON	Port is connected without traffic
	Blinking	Data is transferring
	OFF	Port is not connected
Port Type	Auto MDI/MDI-X ports	

Cellular Indicators		
Cellular	OFF	Disabled or no SIM card inserted
	Blinking slowly	Connecting to network(s)
	Green	Connected to network(s)

2.12 MAX Transit Core

2.12.1 Panel Appearance



2.12.2 LED indicators

Status indicated in the front panel is as follows:

LED Indicator	
Power LED	OFF – Power off
	GREEN – Power on

LAN 1 Port	
Green LED	ON – POE Enabled
	OFF - POE Disabled
Orange LED	Blinking – 10 / 100 / 1000 Mbps with activity
	OFF – No data is being transferred or port is not connected
Port Type	Auto MDI/MDI-X ports

LAN 2-3 Ports, WAN Port	
Right LED	GREEN – 1000 Mbps
	OFF – 10 / 100 Mbps or ports are not connected
Left LED	ORANGE – Port is connected without traffic
	Blinking – Data is transferring
	OFF – Port is not connected

Port Type Auto MDI/MDI-X ports

Console & USB Ports

Console Port Reserved for engineering use
--

USB Ports For connecting 4G/3G USB modems
--

2.13 MAX Transit Duo Pro

2.13.1 Panel Appearance



2.13.2 LED indicators

The statuses indicated by the front panel LEDs are as follows:

Status Indicators		
Status	OFF	System initializing
	Red	Booting up or busy
	Blinking red	Boot up error
	Green	Ready

Cellular Indicators		
Cellular 1 / Cellular 2*	OFF	Disabled or no SIM card inserted
	Blinking slowly	Connecting to network(s)
	Green	Connected to network(s)

Wi-Fi Indicators		
Wi-Fi	OFF	Wi-Fi AP is turn off
	Blinking	Wi-Fi AP is turn on

LAN and Ethernet WAN Ports		
Green LED	ON	1000 Mbps
	OFF	10 Mbps / 100 Mbps or port is not connected
Orange LED	ON	Port is connected without traffic
	Blinking	Data is transferring
	OFF	Port is not connected
Port Type	Auto MDI/MDI-X ports	

2.14 MAX BR1 ESN

2.14.1 Panel Appearance



2.14.2 LED indicators

The statuses indicated by the front panel LEDs are as follows:

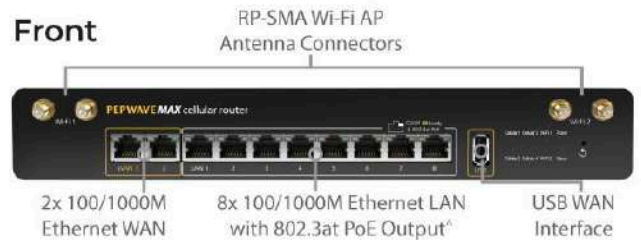
Status Indicators		
Status	OFF	System initializing
	Red	Booting up or busy
	Blinking red	Boot up error
	Green	Ready

Wi-Fi Indicators		
Wi-Fi	OFF	Disabled intermittent
	Blinking slowly	Connecting to wireless network(s)
	Blinking	Connected to wireless network(s) with traffic
	ON	Connected to wireless network(s) without traffic

Cellular Indicators		
Cellular	OFF	Disabled or no SIM card inserted
	Blinking slowly	Connecting to network(s)
	Green	Connected to network(s)

2.15 MAX HD2 and HD4 with MediaFast

2.15.1 Panel Appearance



Back

HD4 with MediaFast



HD2 with MediaFast



Note:

- For proper Wi-Fi performance and operations, please ensure all 4 Wi-Fi antenna connectors (labeled Wi-Fi 1 and Wi-Fi 2) have antennas attached.
- The LED indicators of Wi-Fi 1 & 2 shown as below is referring to the default settings of Wi-Fi Operation mode is WAN + AP under the AP. For more details, please refer to the section 25.4.

2.15.2 LED Indicators

The statuses indicated by the front panel LEDs are as follows:

Status Indicators		
Status	OFF	System initializing
	Red	Booting up or busy
	Blinking red	Boot up error
	Green	Ready

Wi-Fi WAN Indicators		
Wi-Fi 1	OFF	Disabled Intermittent
	Blinking slowly	Connecting to wireless network(s)
	Blinking	Connected to wireless network(s) with traffic
	ON	Connected to wireless network(s) without traffic

Wi-Fi AP Indicators		
Wi-Fi 2	OFF	WiFi AP is disabled.
	ON	WiFi AP is enabled.

Cellular Indicators		
Cellular 1 / 2 / 3 / 4	OFF	Disabled or no SIM card inserted
	Blinking slowly	Connecting to network(s)
	Green	Connected to network(s)

LAN Ports		
Green LED	ON	POE Enabled
	OFF	POE Disabled
Orange LED	Blinking	10 / 100 / 1000 Mbps and Data is transferring
	OFF	No data is being transferred or port is not connected
Port Type	Auto MDI/MDI-X ports	

Ethernet WAN Ports		
Green LED	ON	1000 Mbps
	OFF	10 Mbps / 100 Mbps or port is not connected
	ON	Port is connected without traffic
Orange LED	Blinking	Data is transferring
	OFF	Port is not connected
Port Type	Auto MDI/MDI-X ports	

2.16 MAX HD4

2.16.1 Panel Appearance



Note:

- For proper Wi-Fi performance and operations, please ensure all 4 Wi-Fi antenna connectors (labeled Wi-Fi 1 and Wi-Fi 2) have antennas attached.
- The LED indicators of Wi-Fi 1 & 2 shown as below is referring to the default settings of Wi-Fi Operation mode is WAN + AP under the AP. For more details, please refer to the section 25.4

2.16.2 LED Indicators

The statuses indicated by the front panel LEDs are as follows:

Status Indicators		
Status	OFF	System initializing
	Red	Booting up or busy
	Blinking red	Boot up error
	Green	Ready

Wi-Fi WAN Indicators		
Wi-Fi 1	OFF	Disabled Intermittent
	Blinking slowly	Connecting to wireless network(s)
	Blinking	Connected to wireless network(s) with traffic
	ON	Connected to wireless network(s) without traffic

Wi-Fi AP Indicators		
Wi-Fi 2	OFF	WiFi AP is disabled.
	ON	WiFi AP is enabled.

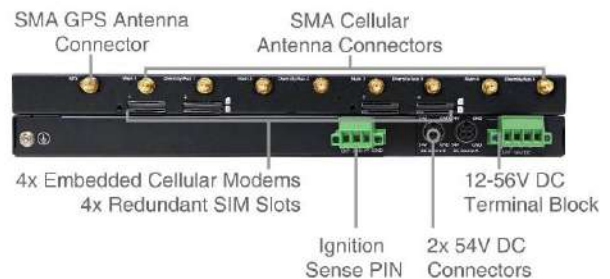
Cellular Indicators		
Cellular 1 / 2 / 3 / 4	OFF	Disabled or no SIM card inserted
	Blinking slowly	Connecting to network(s)
	Green	Connected to network(s)

LAN Ports		
Green LED	ON	POE Enabled
	OFF	POE Disabled
Orange LED	Blinking	10 / 100 / 1000 Mbps and Data is transferring
	OFF	No data is being transferred or port is not connected
Port Type	Auto MDI/MDI-X ports	

Ethernet WAN Ports		
Green LED	ON	1000 Mbps
	OFF	10 Mbps / 100 Mbps or port is not connected
Orange LED	ON	Port is connected without traffic
	Blinking	Data is transferring
	OFF	Port is not connected
Port Type	Auto MDI/MDI-X ports	

2.17 MAX HD4 MBX (CAT-12)

2.17.1 Panel Appearance



*WAN 3 is configured as a LAN port by default, configuration is changeable on the Web Admin.

†2x 54V DC input is needed for all 8x LAN ports to have 802.3at PoE. Plugging in 1x 54V DC input will result in 4x LAN ports having 802.3at PoE

Note:

- For proper Wi-Fi performance and operations, please ensure all 4 Wi-Fi antenna connectors (labeled Wi-Fi 1 and Wi-Fi 2) have antennas attached.
- The LED indicators of Wi-Fi 1 & 2 shown as below is referring to the default settings of Wi-Fi Operation mode is WAN + AP under the AP. For more details, please refer to the section 25.4

2.17.2 LED Indicators

The statuses indicated by the front panel LEDs are as follows:

Status Indicators		
Status	OFF	System initializing
	Red	Booting up or busy
	Blinking red	Boot up error
	Green	Ready

Wi-Fi WAN Indicators		
Wi-Fi 1	OFF	Disabled Intermittent
	Blinking slowly	Connecting to network(s)
	Blinking	Connected to network(s) with traffic
	ON	Connected to network(s) without traffic

Wi-Fi AP Indicators		
Wi-Fi 2	OFF	WiFi AP is disabled.
	ON	WiFi AP is enabled.

Cellular Indicators		
Cellular 1 / 2 / 3 / 4	OFF	Disabled or no SIM card inserted
	Blinking slowly	Connecting to network(s)
	Green	Connected to network(s)

Ethernet WAN Ports		
Right Green	OFF	Port is not connected or slowed than 1000 Mbps
	ON	Gigabit speed
Left Orange	OFF	Port is not connected
	Blinking	Data is transferring
	ON	Port is connected without traffic

Ethernet LAN Ports		
Right Green	OFF	PoE disabled
	ON	PoE enabled
Left Orange	OFF	Port is not connected

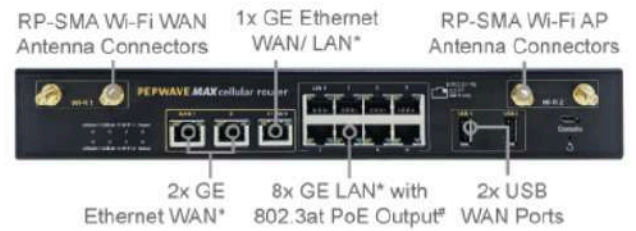
Blinking	Data is transferring
ON	Port is connected without traffic

2.18 MAX HD2/4 MBX (CAT-20)

2.18.1 Panel Appearance

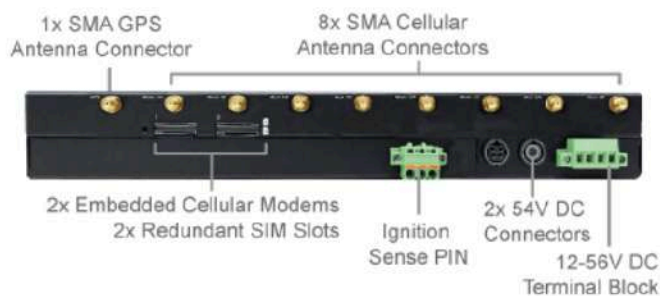


Front

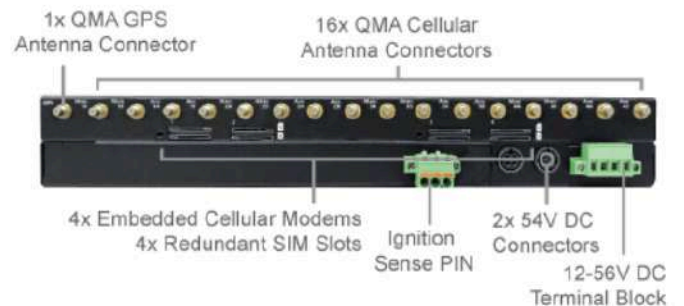


Back

HD2 MBX (CAT-20)



HD4 MBX (CAT-20)



Note:

- For proper Wi-Fi performance and operations, please ensure all 4 Wi-Fi antenna connectors (labeled Wi-Fi 1 and Wi-Fi 2) have antennas attached.
- The LED indicators of Wi-Fi 1 & 2 shown as below is referring to the default settings of Wi-Fi Operation mode is WAN + AP under the AP. For more details, please refer to the section 25.4

2.18.2 LED Indicators

The statuses indicated by the front panel LEDs are as follows:

Status Indicators		
Status	OFF	System initializing
	Red	Booting up or busy
	Blinking red	Boot up error
	Green	Ready

Wi-Fi WAN Indicators		
Wi-Fi 1	OFF	Disabled Intermittent
	Blinking slowly	Connecting to network(s)
	Blinking	Connected to network(s) with traffic
	ON	Connected to network(s) without traffic

Wi-Fi AP Indicators		
Wi-Fi 2	OFF	WiFi AP is disabled.
	ON	WiFi AP is enabled.

Cellular Indicators		
Cellular 1 / 2 / 3 / 4	OFF	Disabled or no SIM card inserted
	Blinking slowly	Connecting to network(s)
	Green	Connected to network(s)

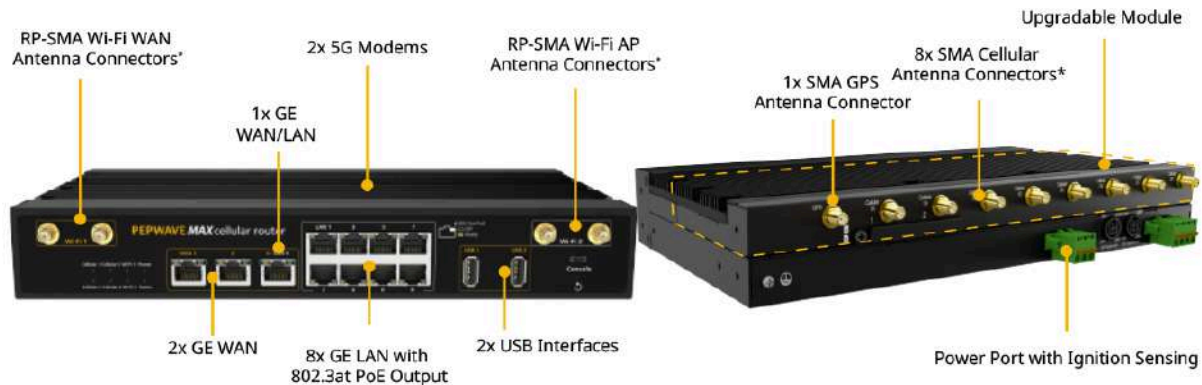
Ethernet WAN Ports		
Right Green	OFF	Port is not connected or slowed than 1000 Mbps
	ON	Gigabit speed
Left Orange	OFF	Port is not connected
	Blinking	Data is transferring
	ON	Port is connected without traffic

Ethernet LAN Ports		
Right Green	OFF	PoE disabled
	ON	PoE enabled
Left Orange	OFF	Port is not connected
	Blinking	Data is transferring
	ON	Port is connected without traffic

2.19 MAX HD2/4 MBX (5G)

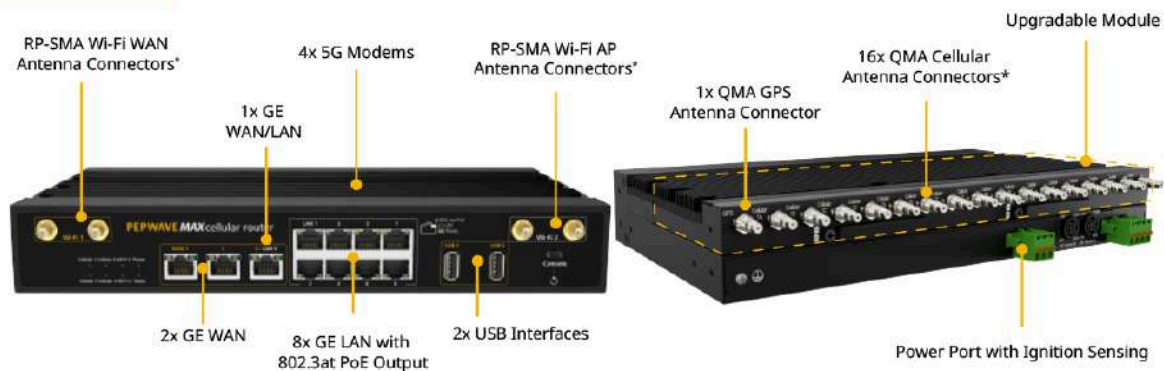
2.19.1 Panel Appearance

HD2 MBX 5G



*For the best performance and reliability, all RF connectors must be connected to the same type and performance antennas.

HD4 MBX 5G



*For the best performance and reliability, all RF connectors must be connected to the same type and performance antennas.

Note:

- For proper Wi-Fi performance and operations, please ensure all 4 Wi-Fi antenna connectors (labeled Wi-Fi 1 and Wi-Fi 2) have antennas attached.
- The LED indicators of Wi-Fi 1 & 2 shown as below is referring to the default settings of Wi-Fi Operation mode is WAN + AP under the AP. For more details, please refer to the section 25.4

2.19.2 LED Indicators

The statuses indicated by the front panel LEDs are as follows:

Status Indicators		
Status	OFF	System initializing
	Red	Booting up or busy
	Blinking red	Boot up error
	Green	Ready

Wi-Fi WAN Indicators		
Wi-Fi 1	OFF	Disabled Intermittent
	Blinking slowly	Connecting to network(s)
	Blinking	Connected to network(s) with traffic
	ON	Connected to network(s) without traffic

Wi-Fi AP Indicators		
Wi-Fi 2	OFF	WiFi AP is disabled.
	ON	WiFi AP is enabled.

Cellular Indicators		
Cellular 1 / 2 / 3 / 4	OFF	Disabled or no SIM card inserted
	Blinking slowly	Connecting to network(s)
	Green	Connected to network(s)

Ethernet WAN Ports		
Right Green	OFF	Port is not connected or slowed than 1000 Mbps
	ON	Gigabit speed
Left Orange	OFF	Port is not connected
	Blinking	Data is transferring
	ON	Port is connected without traffic

Ethernet LAN Ports		
Right Green	OFF	PoE disabled
	ON	PoE enabled

Left Orange	OFF	Port is not connected
	Blinking	Data is transferring
	ON	Port is connected without traffic

2.20 MAX MBX Mini

2.20.1 Panel Appearance



Note:

- For proper Wi-Fi performance and operations, please ensure all 4 Wi-Fi antenna connectors (labeled Wi-Fi 1 and Wi-Fi 2) have antennas attached.
- The LED indicators of Wi-Fi 1 & 2 shown as below is referring to the default settings of Wi-Fi Operation mode is WAN + AP under the AP. For more details, please refer to the section 25.4

2.20.2 LED Indicators

The statuses indicated by the front panel LEDs are as follows:

LED Indicator	
Power LED	OFF – Power off
	GREEN – Power on

Ethernet WAN Ports		
Right Green	OFF	Port is not connected or slowed than 1000 Mbps
	ON	Gigabit speed
Left Orange	OFF	Port is not connected
	Blinking	Data is transferring
	ON	Port is connected without traffic

Ethernet LAN Ports		
Right Green	OFF	PoE disabled
	ON	PoE enabled
Left Orange	OFF	Port is not connected
	Blinking	Data is transferring
	ON	Port is connected without traffic

Wi-Fi WAN Indicators		
Wi-Fi 1	OFF	Disabled Intermittent
	Blinking slowly	Connecting to network(s)
	Blinking	Connected to network(s) with traffic
	ON	Connected to network(s) without traffic

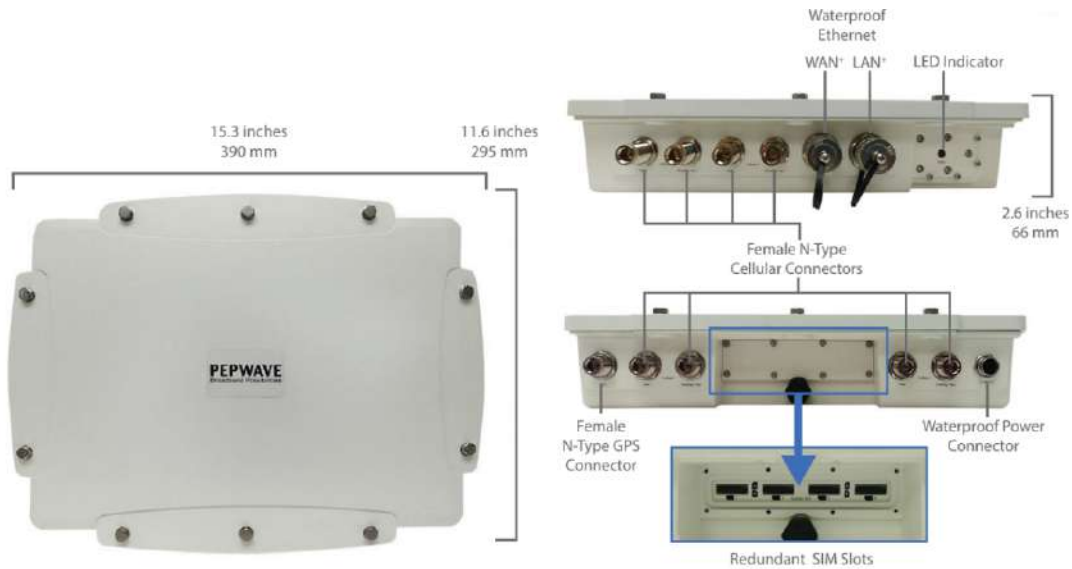
Wi-Fi AP Indicators		
Wi-Fi 2	OFF	WiFi AP is disabled.
	ON	WiFi AP is enabled.

Cellular Indicators		
Cellular 1 / 2	OFF	Disabled or no SIM card inserted
	Blinking slowly	Connecting to network(s)
	Green	Connected to network(s)

Console & USB Ports	
Console Port	Reserved for engineering use
USB Ports	For connecting 4G/3G USB modems

2.21 MAX HD4 IP67

2.21.1 Panel Appearance



2.21.2 LED Indicators

The statuses indicated by the front panel LEDs are as follows:

Status Indicators		
Status	OFF	System initializing
	Red	Booting up or busy
	Blinking red	Boot up error
	Green	Ready