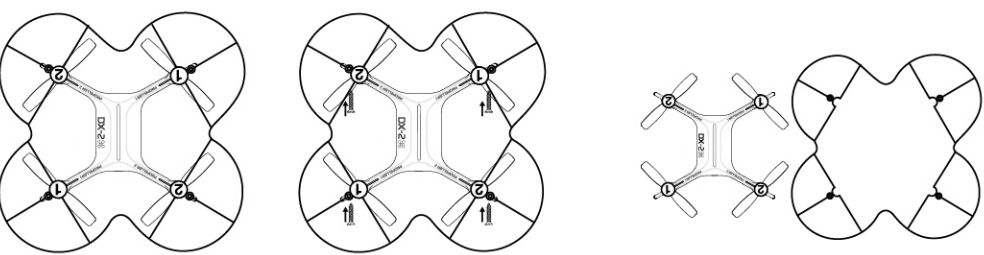
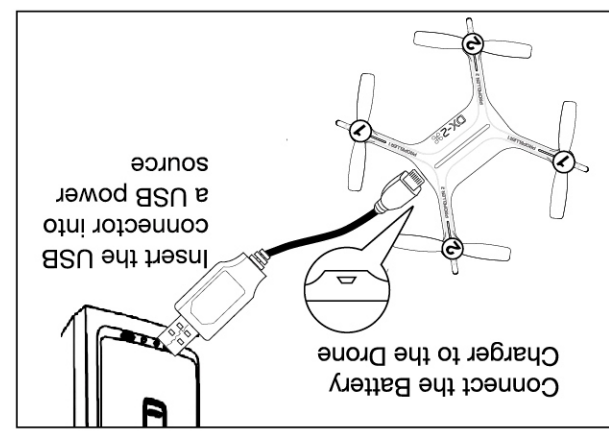


**DX-2 STUNT DRONE**  
Rechargeable 2.4GHz



**INSTALLING BLADE GUARDS**  
- Click blade guards in place per diagrams below.  
- Use provided screws and a small screwdriver to secure the blade guards before use.

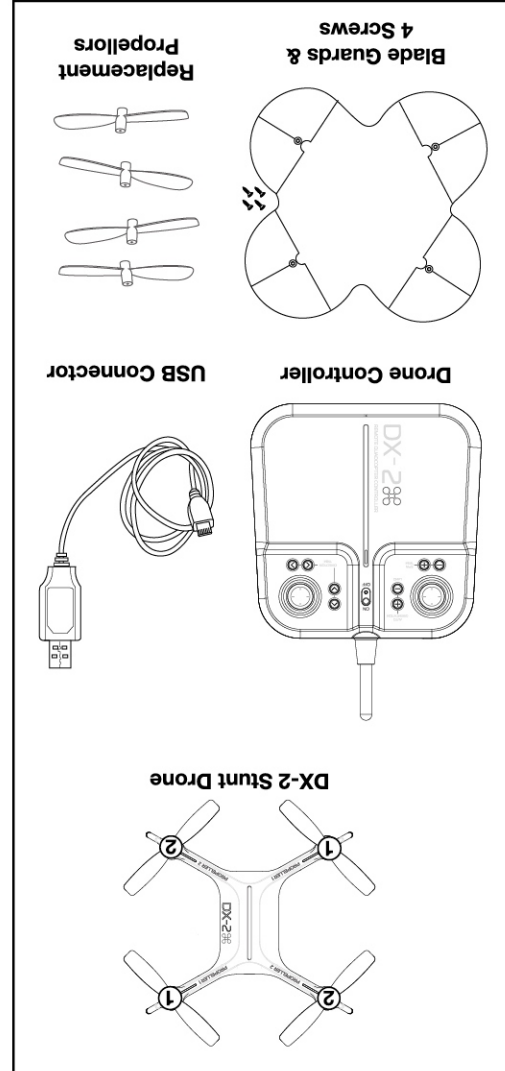


**CHARGING BATTERY**  
Note: The Battery Charger will light up when it is charging the battery and turn off when the battery is fully charged.  
Turn off the drone before charging.  
Connect the Battery Charger to the Miso USB port on the Drone.  
Connect the Battery Charger to the power source.

**DX-2 STUNT DRONE**  
Rechargeable 2.4GHz

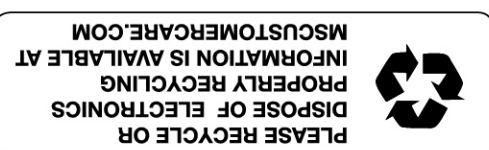


**BATTERY WARNING**  
KEEP THE PACKAGE FROM REFERENCE AS IT CONTAINS IMPORTANT INFORMATION.  
- Always use the correct propellers and blades.  
- Do not use the drone in rain, snow, or other adverse weather conditions.  
- Do not use the drone near people, animals, or property.  
- Do not use the drone near power lines, buildings, or other structures.  
- Do not use the drone near water.  
- Do not use the drone near airports or other restricted areas.  
- Do not use the drone near military or government facilities.  
- Do not use the drone near nuclear power plants or other hazardous facilities.  
- Do not use the drone near religious or cultural sites.  
- Do not use the drone near schools or other educational institutions.  
- Do not use the drone near government buildings or other official structures.  
- Do not use the drone near military bases or other defense facilities.  
- Do not use the drone near airports or other aviation facilities.  
- Do not use the drone near power lines or other electrical infrastructure.  
- Do not use the drone near water bodies or other aquatic environments.  
- Do not use the drone near religious or cultural sites.  
- Do not use the drone near schools or other educational institutions.  
- Do not use the drone near government buildings or other official structures.  
- Do not use the drone near military bases or other defense facilities.  
- Do not use the drone near airports or other aviation facilities.  
- Do not use the drone near power lines or other electrical infrastructure.  
- Do not use the drone near water bodies or other aquatic environments.



**LITHIUM-POLYMER BATTERY WARNING**  
There is a risk of fire and personal injury if Li-Po battery is punctured, damaged or misused.  
- Never expose battery to extreme temperatures or moisture.  
- Do not subject battery to strong impacts.  
- Always keep battery away from flammable materials.  
- Only use manufacturer specified batteries.  
- Battery is not serviceable.  
- Let battery cool to room temperature before charging.  
- While charging, never leave battery unattended.  
- Recycle or dispose of battery according to Federal, state and local laws.  
KEEP THIS INSTRUCTION MANUAL FOR REFERENCE.

**REMOTE BATTERY INFORMATION**  
1. Slide open battery compartment.  
2. Install 6 "AA" batteries as shown in diagram shown above.  
3. Replace and close battery compartment.



**SAFETY WARNINGS:**  
- Not recommended for children under 12 years of age. As with all electrical products, operation should be observed during handling and use to reduce the risk of electrical shock.  
- Adult supervision is required at all times.  
- Before each use, an adult should review the product and battery to determine that no damage or hazards exist.  
- Do not allow anything to intentionally make contact in any way with spinning propellers.  
- Prevent contact with spinning blades by turning off remote prior to handling drone.  
- Use caution and pay attention to your surroundings while operating drone.  
- Do not fly drone into animals, people, or inanimate objects.  
- Keep drone away from power lines, buildings, trees, public areas, and any other potentially hazardous areas.  
- Do not operate in rain, heavy wind, and or any type of severe weather.  
- Never touch or allow others to touch drone while it is flying.  
- Always turn drone off when it is not in use.  
- Always fly drone in large open areas.  
- Never fly drone above or near people, sudden changes in wind or other conditions could lead to unexpected crashes.  
- Always use caution when flying drone vehicles, obey relevant laws, respect the privacy and property rights of others.  
- The drone shall never be modified or used for anything except its intended purpose.

**DX-2 STUNT DRONE**  
Rechargeable 2.4GHz



**TABLE OF CONTENTS**

Page 1 General Warnings  
Page 2 Contents and Remote Battery Installation  
Page 3 Charging LiPo and Blade Guard Installation  
Page 4 Remote Overview  
Page 5 Operating Drone  
Page 6 Modes  
Page 7 Replacing Propellers  
Page 8 Tips and FCC Warning

**SPECIFICATIONS**  
Drone Battery: 550 mAh Li-Po  
Remote Controller Battery: 6 x 1.5V AA  
Charging Time: Approximately 60 minutes  
Maximum Recommended Altitude: 115 ft.

**DX-2 STUNT DRONE**  
Rechargeable 2.4GHz



**DX-2 STUNT DRONE**  
Rechargeable 2.4GHz



**OPERATING DRONE**

**Step 1 – Pre Flight Checklist**

1. Read all warnings and instructions
2. Install remote batteries, page 2
3. Make sure that drone and remote are powered off
4. Install Blade Guards Drone, page 6.
5. Charge batteries, page 3.

**Step 2 – Choosing a location**

- Drone is designed to be flown indoors only
- Always make sure you have enough space to fly drone
- Always follow warnings, page 1

**Step 3 – Starting Drone**

1. Making sure your remote is off, slide drone switch to ON. Drone lights will begin to flicker
2. Choose a flat even surface and follow the diagram
3. Turn remote on. Bring the Throttle all the way up then bring it all the way down. Remote will beep and drone lights will flicker rapidly then turn on permanently once paired.
4. Drone is ready for flight.

**Step 4 – Lift Off**

1. Slowly and carefully bring the throttle up. Propellers will begin to spin and drone will begin to elevate. You can compensate for some of the drones drifting by using the Multi Directional Button or by following step 5. You may need to practice this step several times before successfully getting drone into the air.

**Step 5 – Drone Begins to Drift**

Follow this step if your drone begins to drift while take off or during flight

- Drone drifts backwards: Slide the Forward/Backwards Adjustment up
- Drone drifts forwards: Slide the Forward/Backwards Adjustment down
- Drone drifts left: Slide the Side to Side Adjustment to the right.
- Drone drifts right: Slide the Side to Side Adjustment to the left.
- Drone spins clockwise (viewing drone from top): Slide the Spin Adjustment to the left
- Drone spins counter-clockwise (viewing drone from top): Slide the Spin Adjustment to the right.

**Always turn off remote prior to retrieving or picking up drone. This will help you avoid accidentally activating propellers.**

**Step 6 – Operating Drone in Flight**

The drones range is approximately 150 feet

- Read and be aware of all warnings found on page 1.
- Maintain your desired elevation by using the Throttle
- Use the Throttle joystick in a circle motion to spin the drone
- Use the Multi Directional Joystick to move forwards, backwards, and side to side
- Review step 5 if your drone begins to drift

**CUSTOMER SERVICE**  
(800) 374-2744  
Before calling please locate the 10-digit code printed on the back of your remote.

**GETTING TO KNOW YOUR DRONE**

**IMPORTANT INFORMATION ABOUT YOUR DRONE**

**PLEASE READ ALL WARNINGS AND INSTRUCTIONS PRIOR TO USE. KEEP THIS DOCUMENT AS IT CONTAINS IMPORTANT INFORMATION ABOUT YOUR DRONE.**

**1. CHARGING**

- Drone must be charged before each use (USB cable included)
- Indicator light will turn off once fully charged
- Install batteries in remote

**2. PAIRING**

1. Turn your drone on and place on a flat level surface
2. Turn on the remote and move the left joystick down, then up, then down again
3. The beep will indicate successful pairing

**3. DIRECTIONAL LIGHTS**

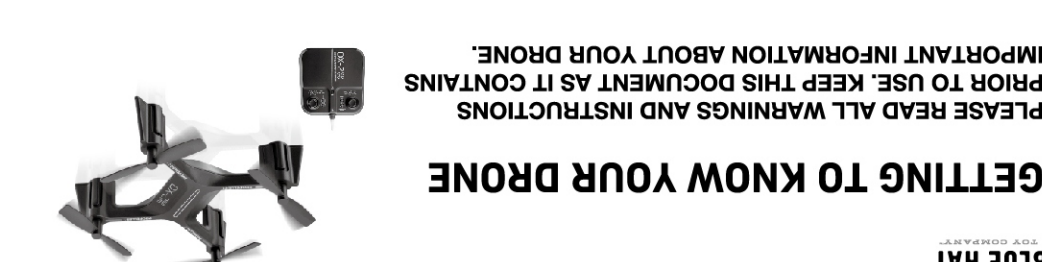
- White lights indicate the front of the drone
- Red lights indicate the back of the drone
- Not applicable in auto-orientation mode

**4. REMOTE CONTROL OVERVIEW**

Practice flying your drone below 10 feet and at low speeds until comfortable with all controls to avoid unnecessary damage or injury

- Left joystick:
- Lift/down controls elevation
- Left/right controls spin
- Right joystick: controls flight direction
- Direction Trim: use to eliminate drift

To cut power to drone, move left joystick to down position



**DX-2 STUNT DRONE**  
Rechargeable 2.4GHz



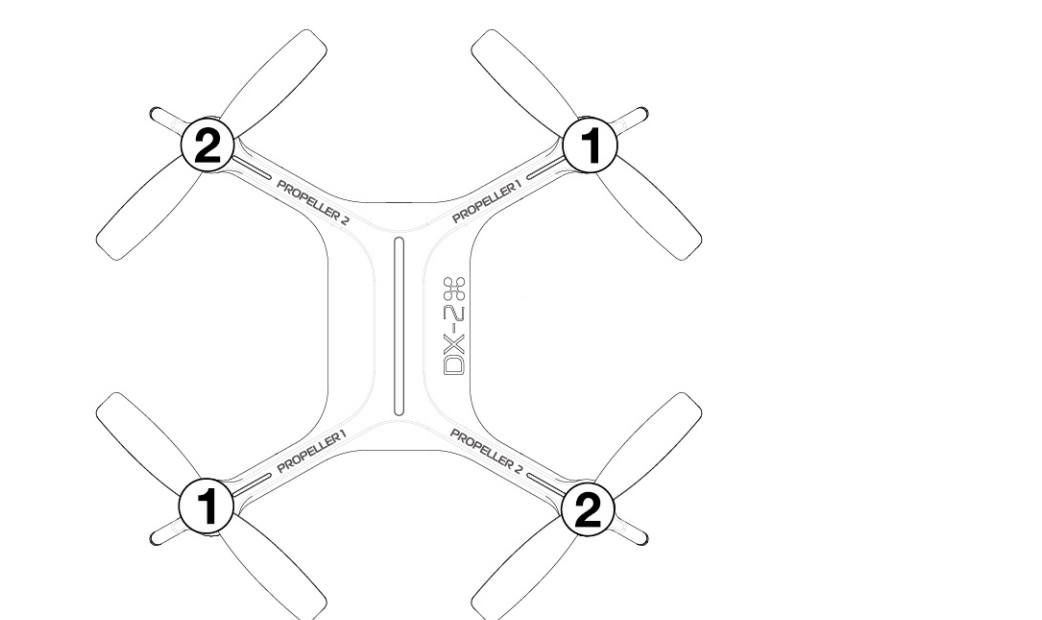
**DX-2 STUNT DRONE**  
Rechargeable 2.4GHz



**REPLACING PROPELLERS**

1. Follow diagram to the right.
2. Make sure you installed the correct blade. Each blade has a number written on it. Match the blades with the corresponding number on the drone.
3. Carefully unscrew the propellers and replace with the new blade.

**NOTE: Blade 1 turns counter clockwise and Blade 2 turns clockwise**



**DX-2 STUNT DRONE**  
Rechargeable 2.4GHz



**CUSTOMER SERVICE**  
(800) 374-2744

**TIPS**

- Do not crash drone into sand or dirt. Drone gears may become clogged
- When first learning to fly, practice lifting off and hovering
- Stay several feet from walls and buildings
- Always Press Throttle all the way down after crashing or when something gets stuck in propellers
- Never fly drone above or near people, sudden changes in wind or other conditions could lead to unexpected crashes.
- Always use caution when flying drone vehicles, obey relevant laws, respect the privacy and property rights of others.
- The drone shall never be modified or used for anything except its intended purpose.

**WARNING:** Changes or modifications to this unit not expressly approved by the party responsible for compliance could void the user's authority to operate the equipment.

**TROUBLESHOOTING:**

When remote switch is turned on, the remote light does not illuminate:

- 1) Check that batteries in the remote are installed correctly OR
- 2) Replace with new batteries.

When the remote is switched on, the remote LED is flashing and remote is beeping:

- 1) Remote batteries are low; replace them with new batteries

Drone and remote properly pair, but the drone will not lift-off:

- 1) Drone Li-Po needs charging. Use charging cable to connect the drone to power source.

After trimming the drone, the drone flight is very unstable and cannot fly properly:

- 1) One or more blades are most likely damaged;
- 2) Turn off the drone and remote.
- 3) Replace with the proper number replacement blade and try flying again.

After impact, the drone is unstable:

- 1) Put the left remote control lever to the left bottom and put the right remote control lever to the right bottom at the same time which connected to the drone (diagram to right).
- 2) If the above does not resolve the issue, reboot the drone and controller and pair again.

Remote Controller and Drone can not be paired:

- 1) Check Point: Remote Controller must be closed to Drone, not exceed 4 meters.

Note: If there are 2 sets of Drones within 4 meters for Pairing, you must pair one successfully before pairing the second set.

This device complies with Part 15 of the FCC Rules. Operation is subject to the following two conditions: (1) this device may not cause harmful interference, and (2) this device must accept any interference received, including interference that may cause undesired operation.

NOTE: This equipment has been tested and found to comply with the limits for a Class B digital device, pursuant to Part 15 of the FCC Rules. These limits are designed to provide reasonable protection against harmful interference in a residential installation. This equipment generates, uses, and can radiate radio frequency energy and, if not installed and used in accordance with the instructions, may cause harmful interference to radio communication. However, there is no guarantee that interference will not occur in a particular installation.

If this equipment does cause harmful interference to radio or television reception, which can be determined by turning the equipment off and on, the user is encouraged to try to correct the interference by one or more of the following measures:

- Reorient or relocate the receiving antenna.
- Increase the separation between the equipment and receiver.
- Connect the equipment into a separate power outlet that is not connected to the same power line as the receiver is connected.
- Consult the dealer or an experienced radio/TV technician for help.

©2016 MerchSource, LLC. Blue Hat Toy Company, Blue Hat Toy Company logos are trademarks of MerchSource, LLC, used under license. All rights reserved. Distributed by MerchSource, LLC, Irvine, CA 92618.

Distributed by MerchSource, LLC, Irvine, CA 92618. For technical support, please visit [www.merchsource.com](http://www.merchsource.com) or call 1-800-374-2744.