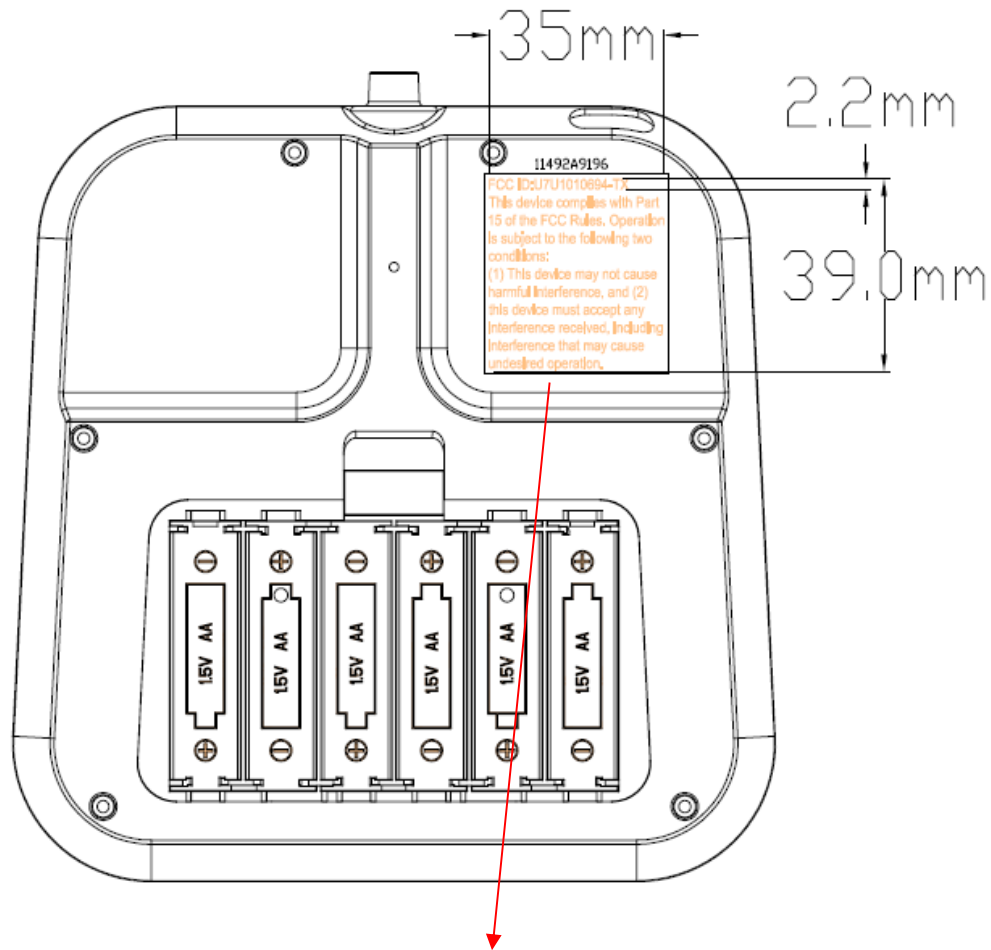


Label Artwork and Location



FCC ID:U7U1010694-TX
This device complies with Part 15 of the FCC Rules. Operation is subject to the following two conditions:
(1) This device may not cause harmful interference, and (2) this device must accept any interference received, including interference that may cause undesired operation.

Size:35mm(W) x 39mm(H)