

**blackbox**  
IOT GLOBAL RADIOS

**USER GUIDE**

**RADIOS. IT'S WHAT WE DO.**

**PTT INFINITE GROUPS NATIONWIDE!**

Model# BBGR-M

**Klein electronics** Since 1991  
www.KleinElectronics.com

PTT LTE

**Congratulations!**  
You made a great choice for your team with the Blackbox® IoT Radios.

Thank you for purchasing Blackbox® BBGR-M mobile radio. Blackbox products will always provide you with reliable, clear and highly efficient communications. Please read this Manual carefully and completely before using the transceiver, so that you can fully understand the performance, operating method and maintenance. Thank you.

**SIM card installation.**

1. Open the SIM card slot.
2. Place the SIM card into the slot with right direction.
3. Lock the SIM card slot door into place.

Note:

- Turn off the mobile before you inserting or removing the SIM card.
- Avoid touching the metallic area of the SIM card to prevent loss or damage to the information in the card and place it away from electromagnetic fields.

**Antenna and GPS antenna installation.**

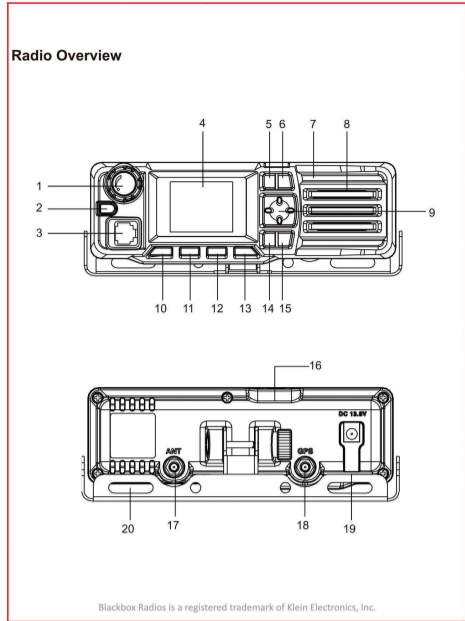
1. Power off the mobile, insert the antenna connector jacks into the specified mounting ports on the back of the device and rotate clockwise until secure.
2. Route the cables through vehicle panels and mount the antennas per your preference.

Blackbox Radios is a registered trademark of Klein Electronics, Inc.

**Install the Power supply cables, mounting bracket and microphone hang up clip.**

1. The mobile comes with a couple of power options. You can either plug it into the cigarette adaptor, or hard wire with the red/black wire.
  - a. The red/black wire simply plugs into the back of the mobile, and then you route it directly to the battery (black = negative, red = positive).
2. The palm microphone is straightforward. Simply mount the female clip within reach of the driver.
  - a. For the mounting bracket of the radio itself, choose a spot that is not cumbersome to the people, but within reach of the driver.
3. The mount bracket can be configured in various ways. Under dash, on top of the dash, etc.
  - a. The bracket can be placed under the radio or on top of it.

Blackbox Radios is a registered trademark of Klein Electronics, Inc.



1. Knob: turn the volume counterclockwise +, rotate the volume clockwise -
2. Power Button: Press and hold the button 3 seconds to power on/off
3. Expansion interface: external extension interface such as link hand microphone accessory
4. LCD Display;
5. UP Button: Short press, choose the functions upward; Under the PTT screen, press UP button to enter APK setting;
6. Status Indicator;
7. DW Button: Short press the DW button, choose the functions downward; Under the PTT screen, press DW enter the group list;
8. Speaker;
9. OK button: confirm/selected button;
10. Lock screen button: Short press on/off screen, press and hold for more than 3 seconds to lock/unlock the keyboard;
11. Single call button: enter the member list;
12. Group call button: short press to enter the group list, long-press to switch groups;
13. HOME button: Quickly return to the home page;
14. MENU button: Enter system settings;
15. Return key: return to the previous menu, no effect under the main menu; short press to exit; the temporary intercom group during the temporary intercom mode;
16. SIM card slot;
17. Antenna interface: connect the main antenna;
18. GPS antenna interface: connect GPS antenna;
19. Power interface: connect the 13.8V car charging source;
20. Mounting bracket

Blackbox Radios is a registered trademark of Klein Electronics, Inc.

**LED Light Definitions:**

- When you first turn it on, the orange light blinks and then changes to a red light.
- The red light is on (solid) for about 20 seconds as it registers with the server (cloud).
- If the red light FLASHES, this means either the SIM card is not activated or the unit can't log into the server (cloud). Make sure you are within range of the Wifi, or that the SIM card is inserted fully and activated (with service).
- If the red light STAYS ON, and you hear "Mobile phone card failed", that is SIM card failure.
- If the green light FLASHES SLOWLY, you are logged into the network and the radio is in Standby mode.
- The green light is ON and BRIGHT, then you are in an active communication.

**Operation**  
**After successfully logging in:**

1. Turn the volume counterclockwise to increase volume, rotate the volume clockwise to decrease the volume
2. When screen is on, press the power button for 3 seconds, and a prompt box will pop up, select to shut down or restart;
3. When screen is on, short press the lock button to enter the screen-off state. Similarly, short press the lock screen button to wake up the screen when the screen is off. If you press and hold the lock screen button, enter the lock screen and unlock the screen;
4. When screen is on, press the MENU button to enter the system settings list, press the UP button or the DW button to set or view the network settings, wireless network, Bluetooth, location, sound, and phone status;
5. When screen is on, press the UP button to enter the APK settings list, you can set up or view personal information, voice call settings, sleep mode, intercom calls processing, temporary intercom, intercom bright screen settings, about, exit,

Blackbox Radios is a registered trademark of Klein Electronics, Inc.

6. Press the group call button to enter the group list or under the intercom interface, press the DW button to enter the group list, and then press the UP button or the DW button to select a certain group.
  - 6.1. The first way: If you short press the OK button or the power button to enter the member list, press the navigation button UP button or DW button to select an online account.
 

Method 1: Press the hand microphone PTT button to initiate a temporary intercom, after the other party answers, you can start the call, press the back button (OK button or power button) again to exit the temporary intercom group;

Method 2: press the OK button or the power button to enter the dialing interface, press the OK button or the power button again to initiate a voice call, and the other party answers. After that, you can start the call, and press the back button (OK button or power button) again to exit the voice call;
  - 6.2. The second way: Press and hold the OK button to enter the selected group;
7. Press the single call button to enter the member list, press the UP button or the DW button to select an online account.
 

Method 1: Press the hand microphone PTT button to initiate a temporary intercom. After the other party answers, you can start the call, and press the back button again. OK button or power button) Exit the temporary intercom group;

Method 2: Press the OK button or the power button to enter the dialing interface, press the OK button or the power button again to initiate a voice call. After the other party answers, you can start the call and press the button again. The key (OK or power button) exits the voice call;

**Menu function options:**

Press the navigation keys to select the following 3 modes: Virtual Trunk, SMS, and Settings;

- A. Used to intercom related operations;
- B. Settings (system settings): Press and hold the UP and DOWN keys to set or view network settings,

Blackbox Radios is a registered trademark of Klein Electronics, Inc.

**Establishing a wireless connection**  
**Wireless data WLAN connection (Optional)**

1. Under the system setting interface, press the UP button or the DW button to the wireless network and click the OK button or the power button to enter the wireless network mode. At this time, you can set up to connect to the wireless network.
2. Under the wireless network setting interface, press the OK button or the power button to turn on the wireless network. On the interface, you will see "Connected network/Available network nearby/Configured network". Go to the nearby available web interface and the walkie-talkie will list the wireless devices in the search range.
3. Press the UP or DW button to select the network you want to connect to, enter the correct password using the Virtual Keyboard, and press OK to confirm the connection.

**NOTE:**

FCC Warning:  
This equipment has been tested and found to comply with the limits for a Class B digital device, pursuant to part 15 of the FCC Rules. These limits are designed to provide reasonable protection against harmful interference in a residential installation. This equipment generates, uses and can radiate radio frequency energy and, if not installed and used in accordance with the instructions, may cause harmful interference to radio communications. However, there is no guarantee that interference will not occur in a particular installation. If the equipment does cause harmful interference to radio or television reception, which can be determined by turning the equipment off and on, the user is encouraged to try to correct the interference by one or more of the following measures:  
• Reorient or relocate the receiving antenna.  
• Increase the separation between the equipment and receiver.  
• Connect the equipment into an outlet on a circuit different from that to which the receiver is connected. • Consult the dealer or an experienced radio/TV technician for help.

Caution: Any changes or modifications to this device not explicitly approved by manufacturer could void your authority to operate this equipment.

This device complies with part 15 of the FCC Rules. Operation is subject to the following two conditions: (1) This device may not cause harmful interference, and (2) this device must accept any interference received, including interference that may cause undesired operation.

The equipment complies with FCC radiation exposure limits set forth for an uncontrolled environment. This equipment should be installed and operated with minimum distance 25cm between the radiator and your body.

Blackbox Radios is a registered trademark of Klein Electronics, Inc.