

# tDynamo Gen II

Model: 21079837

## Manual



December 2019

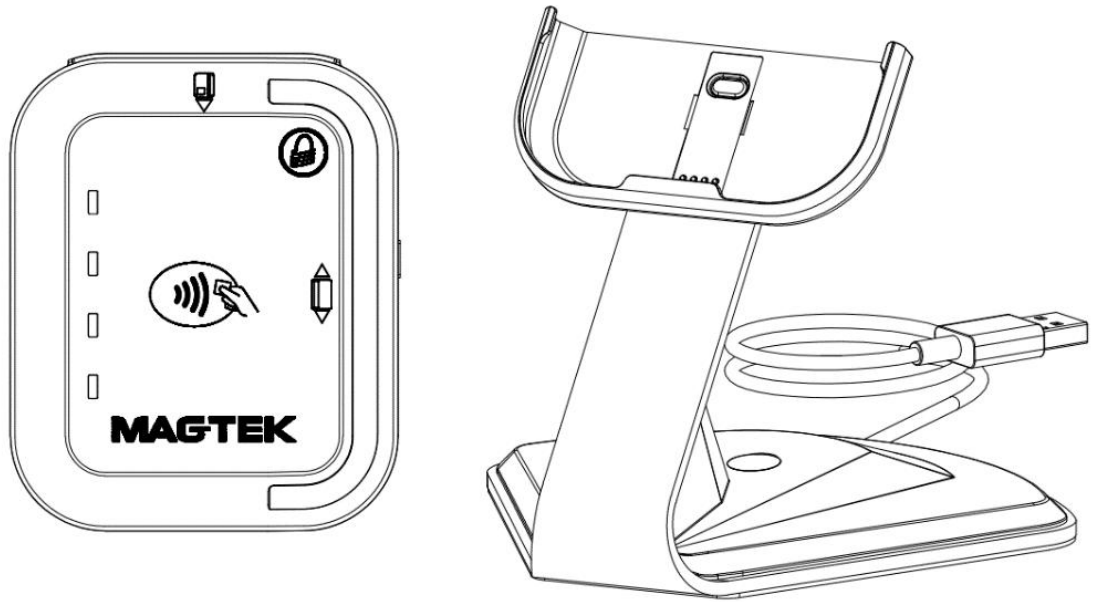
Version 001

### Content

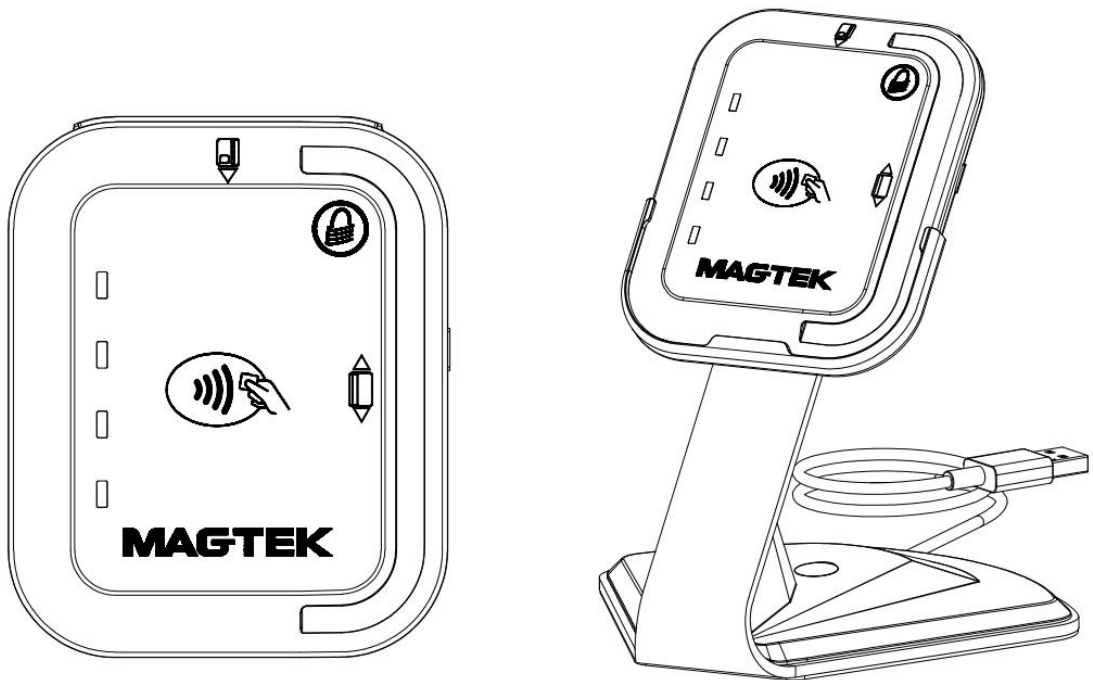
1 Installation Guide .....	2
2 Operation Guide .....	3-8
3 Transactions Guide .....	9

# 1. Installation Guide

1.1 tDynamo Gen II has two parts.



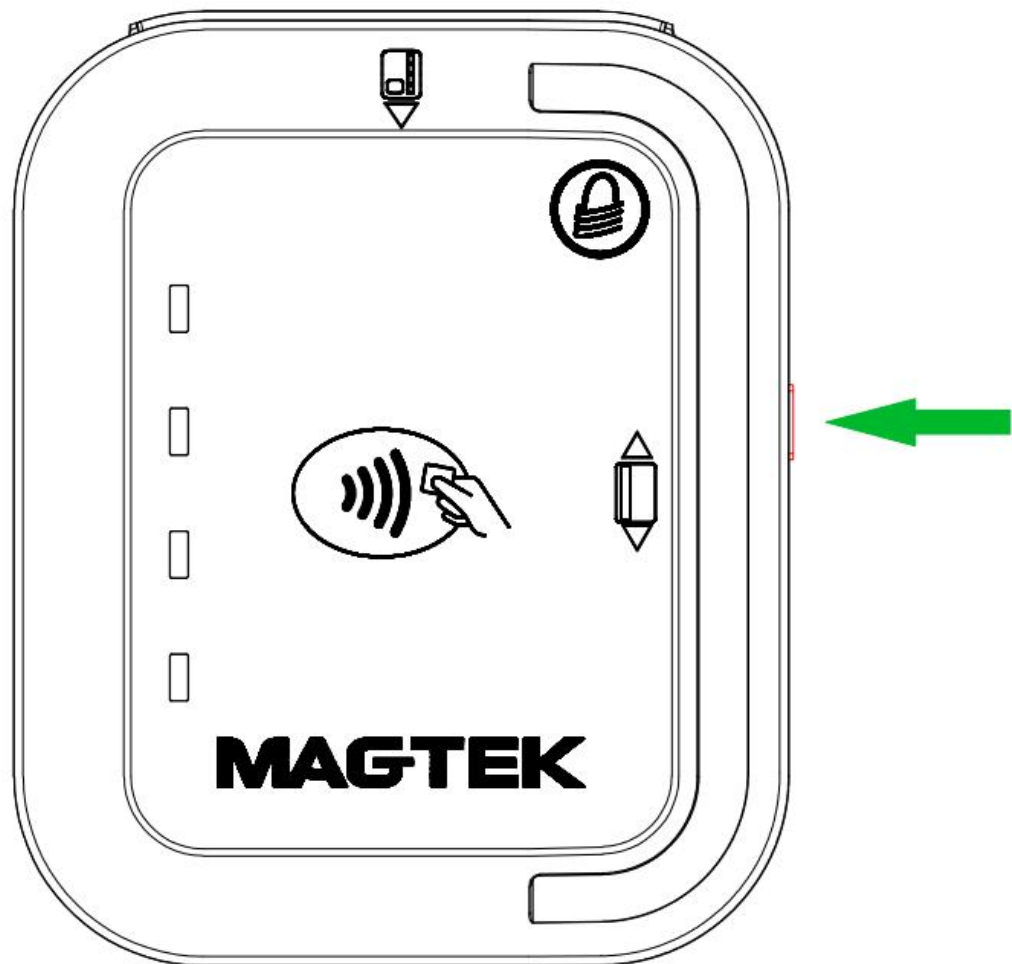
1.2 tDynamo Gen II can be used alone, also can be used on the support .



## 2 Operation Guide

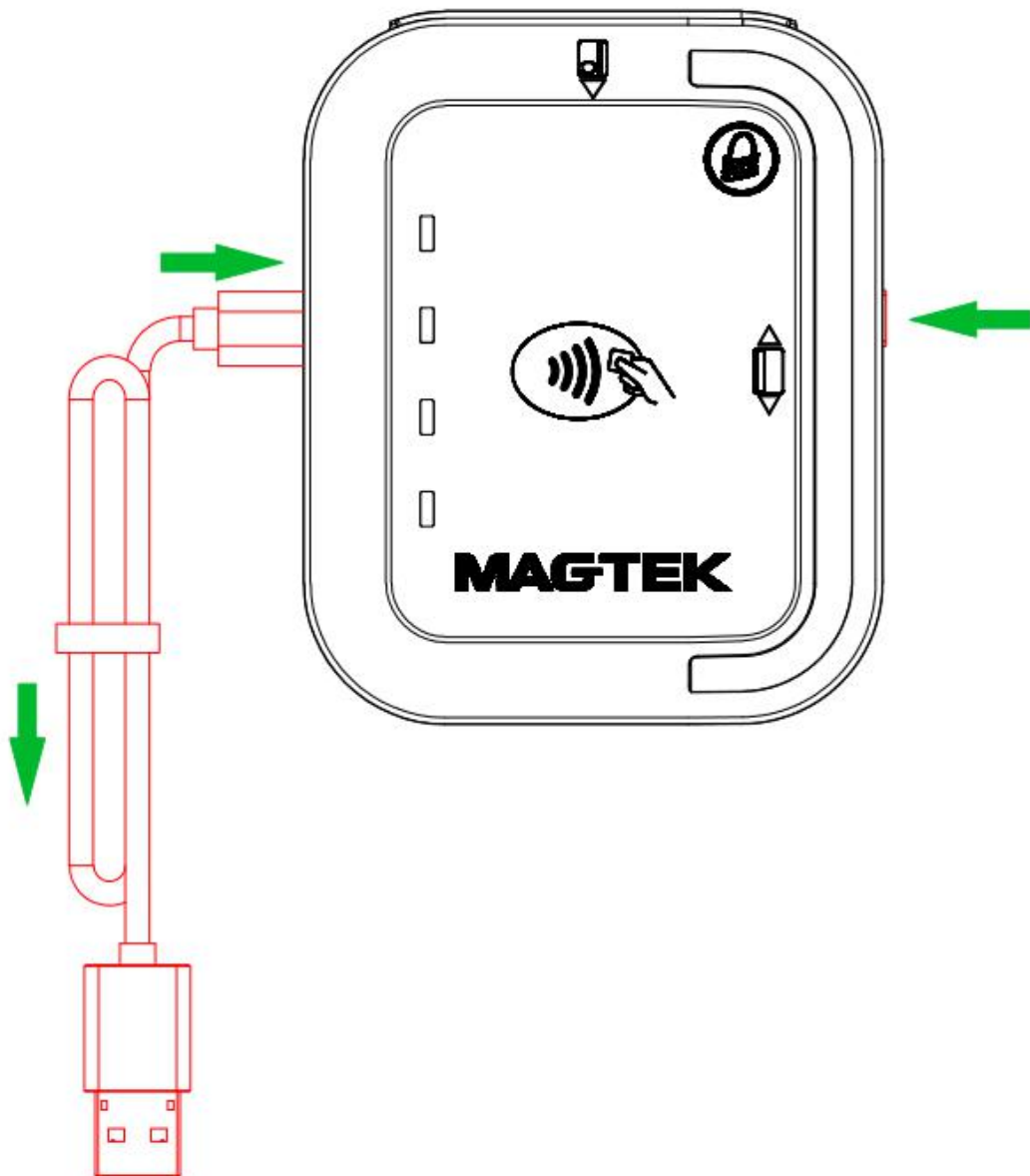
There are three kinds of usage

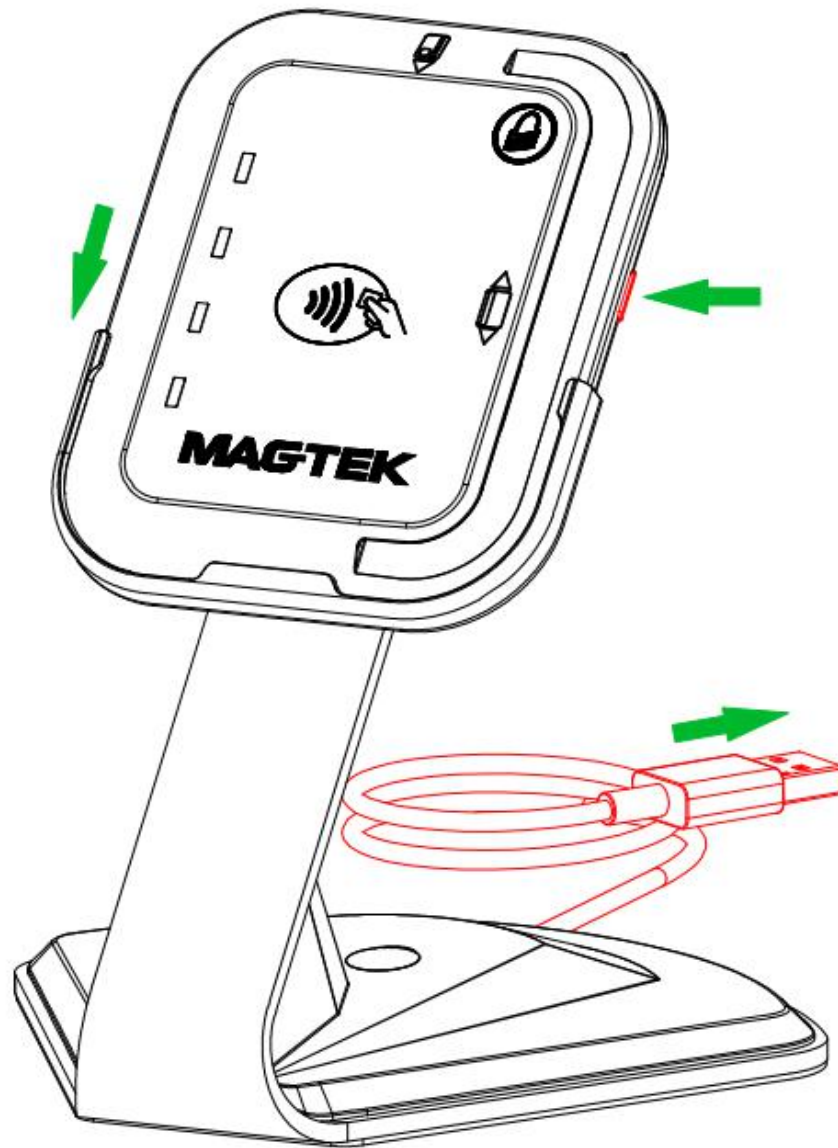
2.1.1 First, press the button after using Bluetooth link equipment.



2.1.2 Second, on the card reader Connect the USB type - C interface, the other end is inserted into the host with USB interface, and then turn on power supply.

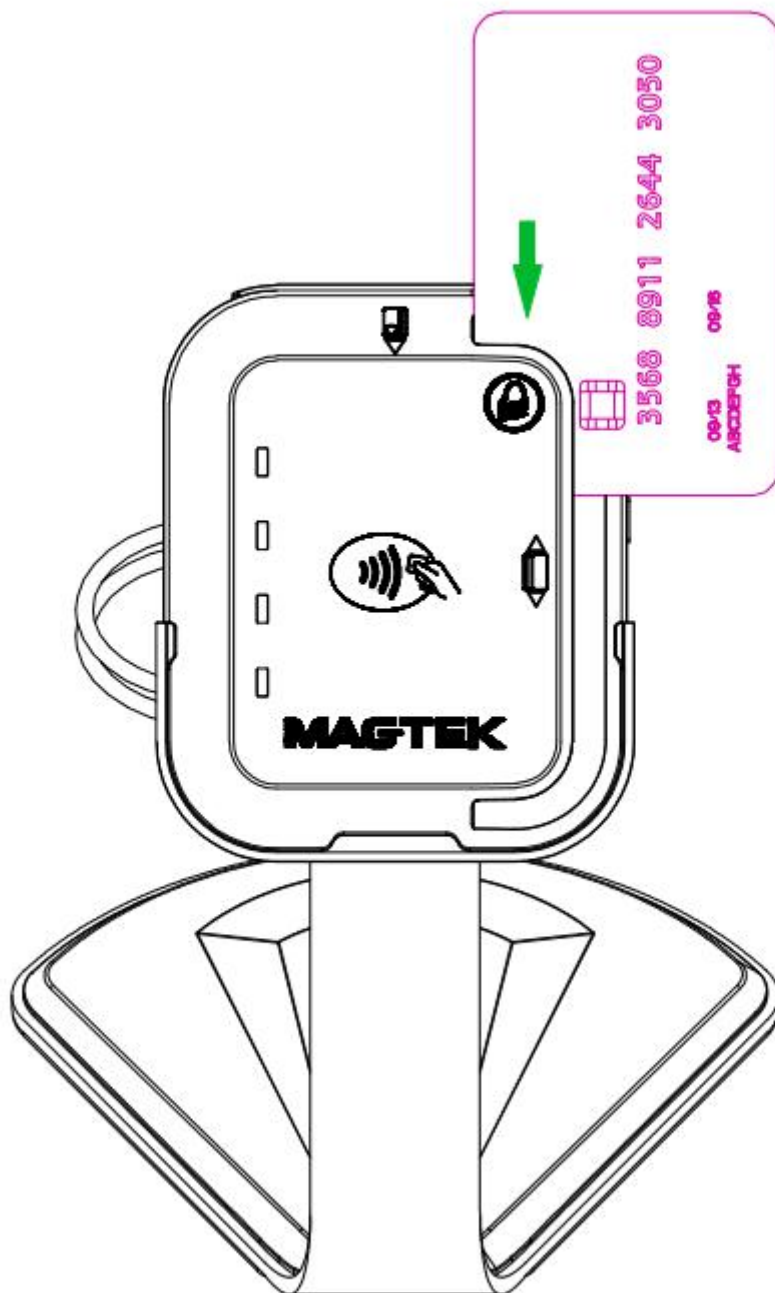
2.1.3 Third, put the reader into the base, with the base USB inserted into the host. Turn on power supply.





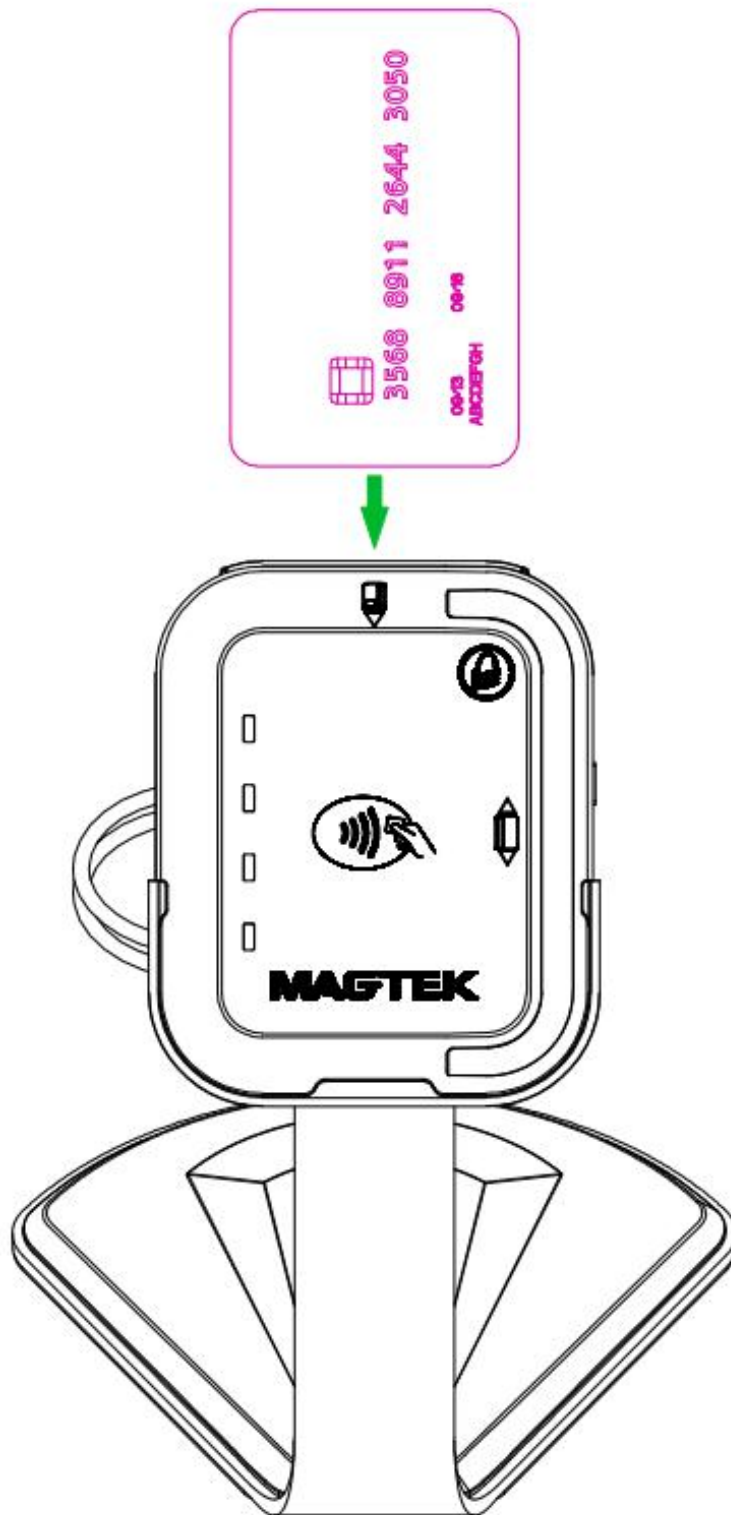
## 2.2 To use a MSR card

Swipe card, make sure the MSR is on the bottom side, press the card to the bottom of the slot and swipe.

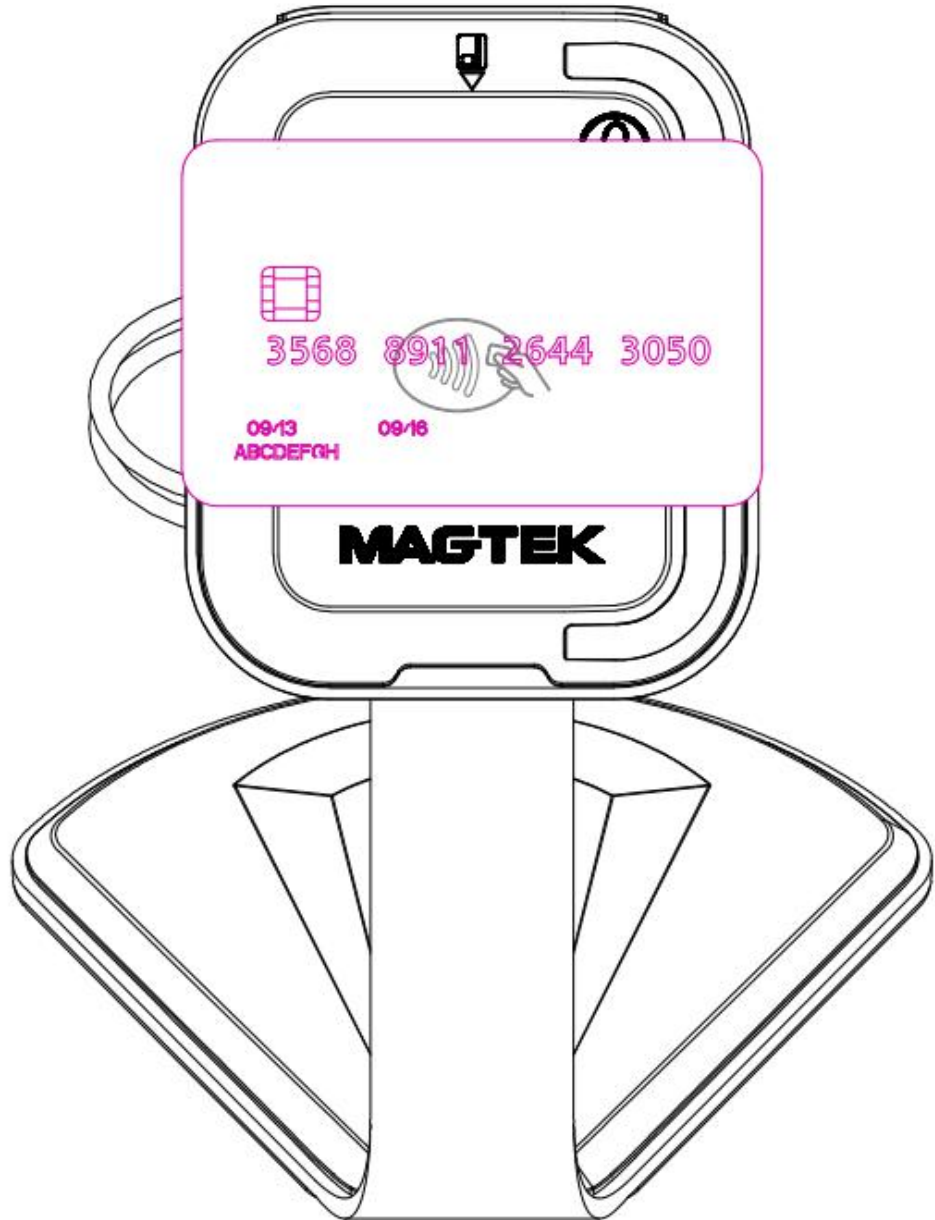


### 2.3 To use an IC card

Make sure the IC contacts are on the top side. Insert the card to the end of the slot.



2.4 To use a NFC card  
Place the card near the NFC symbol on the case.





### **3 Transactions Guide**

Refer to the guide of the software.

#### **FCC Compliance**

This equipment has been tested and found to comply with the limits for a Class B digital device, pursuant to Part 15 of the FCC Rules. These limits are designed to provide reasonable protection against harmful interference in a residential installation. This equipment generates uses and can radiate radio frequency energy and, if not installed and used in accordance with the instructions, may cause harmful interference to radio communications. However, there is no guarantee that interference will not occur in a particular installation. If this equipment does cause harmful interference to radio or television reception, which can be determined by turning the equipment off and on, the user is encouraged to try to correct the interference by one or more of the following measures:

- Reorient or relocate the receiving antenna.
- Increase the separation between the equipment and receiver.
- Connect the equipment into an outlet on a circuit different from that to which the receiver is connected.
- Consult the dealer or an experienced radio/TV technician for help.

This device complies with part 15 of the FCC Rules. Operation is subject to the following two conditions: (1) This device may not cause harmful interference, and (2) this device must accept any interference received, including interference that may cause undesired operation.

Changes or modifications not expressly approved by the party responsible for compliance could void the user's authority to operate the equipment.

The distance between user and device should be no less than 20cm.

This product can be used across EU member states.

We declares that this device is in compliance with the essential requirements and other relevant provisions of Directive 2014/53/EU.



RF Specification

Bluetooth	
Operation Frequency:	2402 ~ 2480MHz
Maximum Power(V4.0):	5.34 dBm
NFC	
Operation Frequency:	13.56MHz
Maximum Power:	38.80 dBuA/m@3m

Manufacturer: Magtek Incorporated

Address of Manufacturer: 1710 Apollo Court, Seal Beach, California 90740, United States

The operating temperature of the device between 0°C to 40°C.

CAUTION: RISK OF EXPLOSION IF BATTERY IS REPLACED BY AN INCORRECT TYPE. DISPOSE OF USED BATTERIES ACCORDING TO THE INSTRUCTIONS.