

tDynamo

Model: 21079821

Manual



January 2017

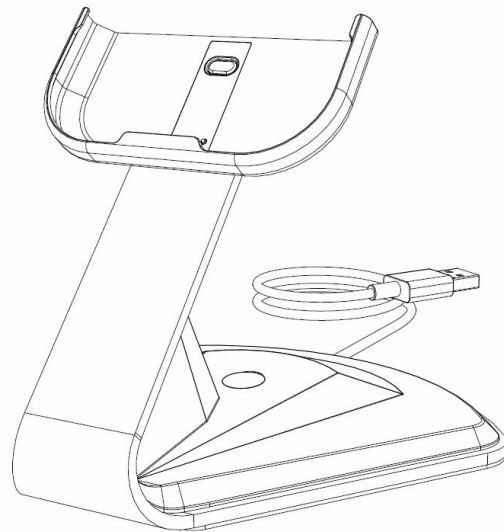
Version 001

Content

| | |
|---------------------------|-----|
| 1 Installation Guide..... | 2 |
| 2 Operation Guide..... | 3-8 |
| 3 TransactionsGuide..... | 9 |

1. Installation Guide

1.1 tDynamo has two parts.



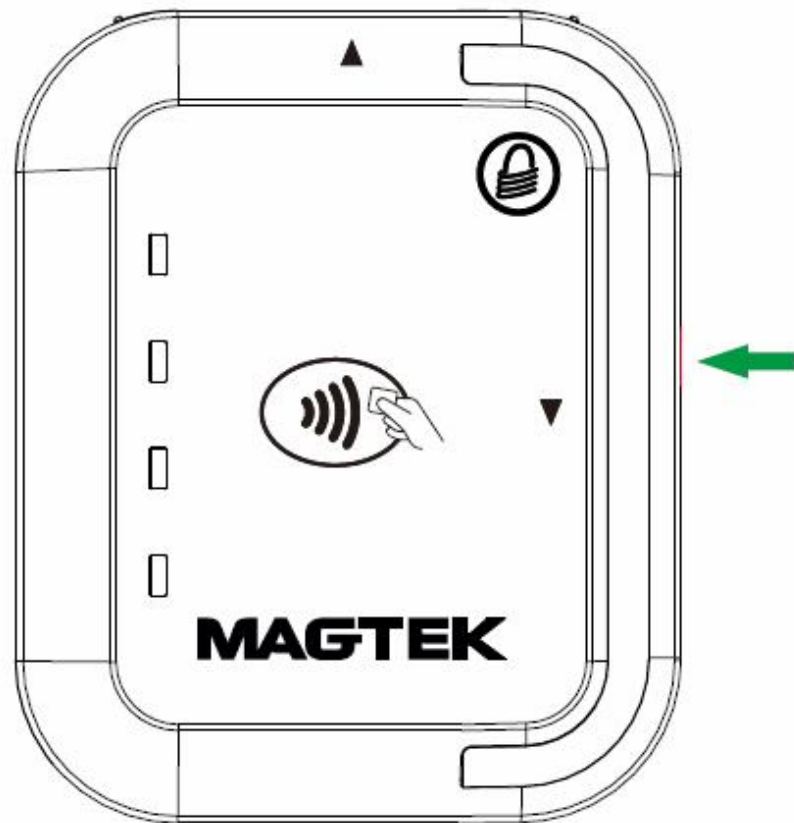
1.2 tDynamo can be used alone, also can be used on the support .



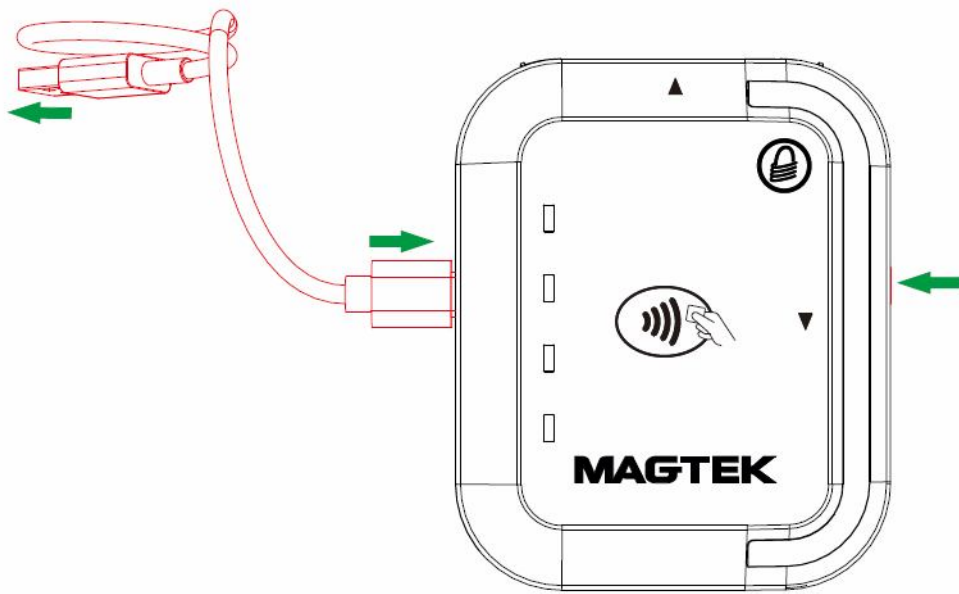
2 Operation Guide

2.1 There are three kinds of usage

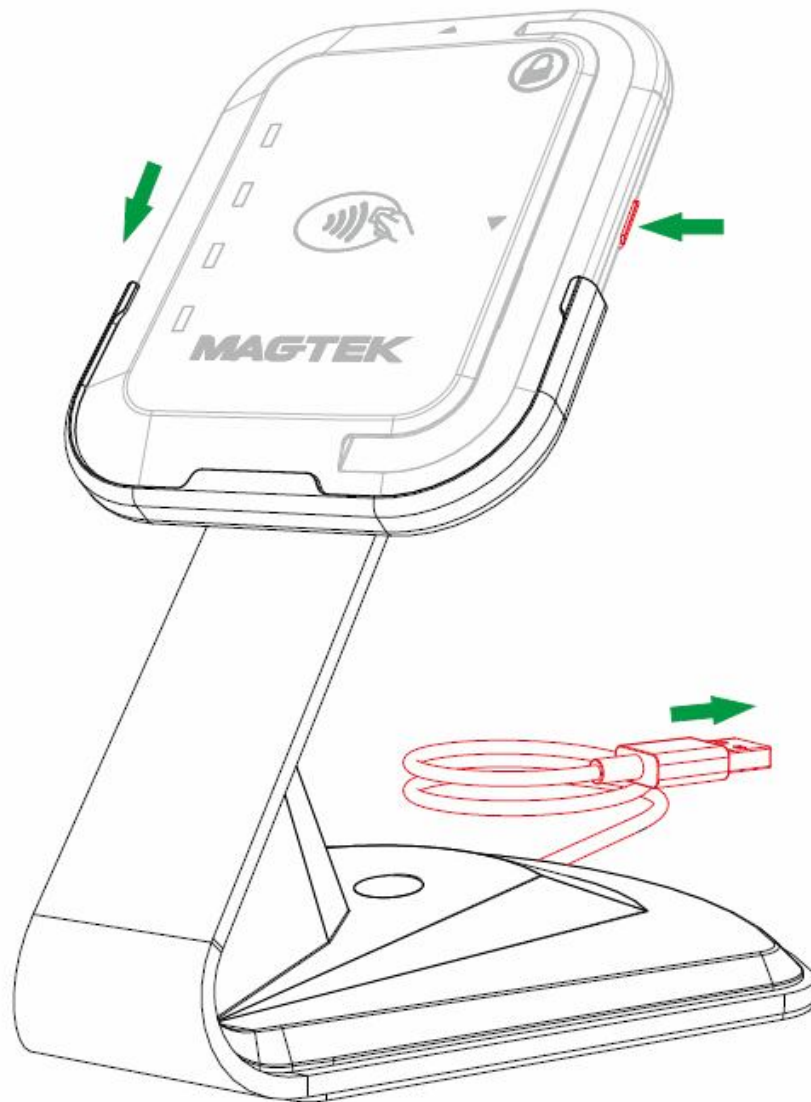
2.1.1 First, press the button after using bluetooth link equipment



2.1.2 Second, on the card reader Connect the usb type - c interface, the other end is inserted into the host with USB interface, and then open the power supply



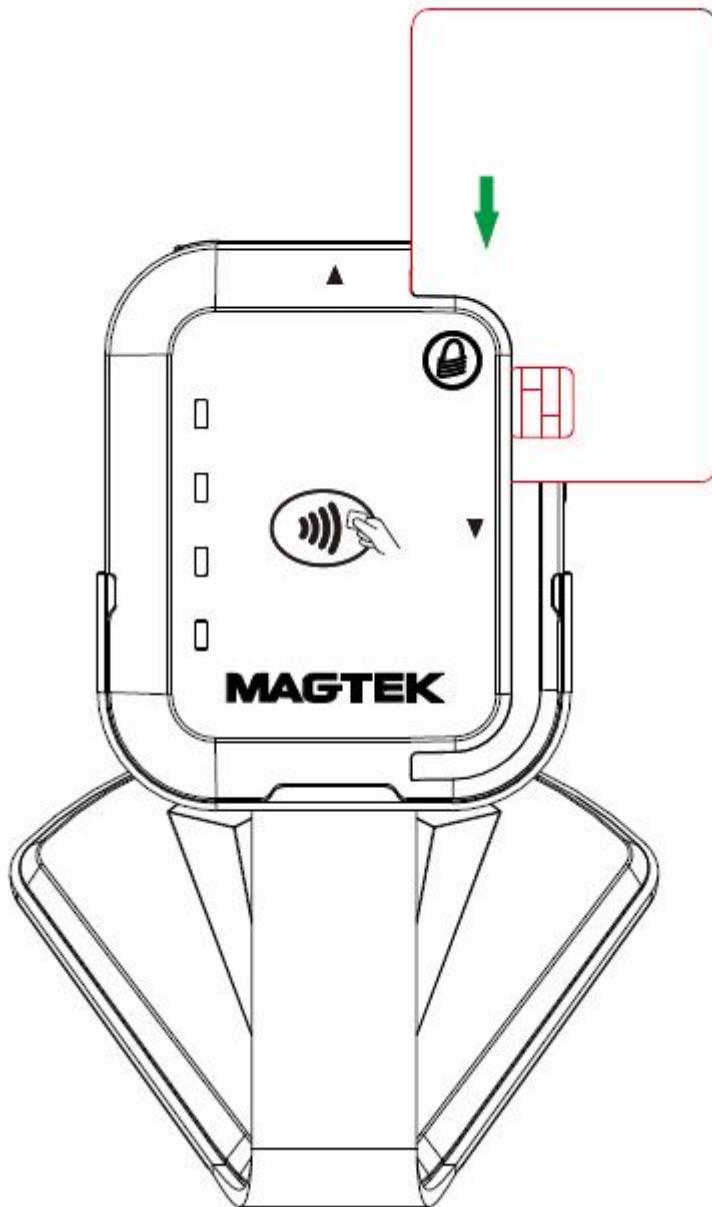
2.1.3 In the third, put the reader into the base, with the base USB inserted into the host, open the power



supply

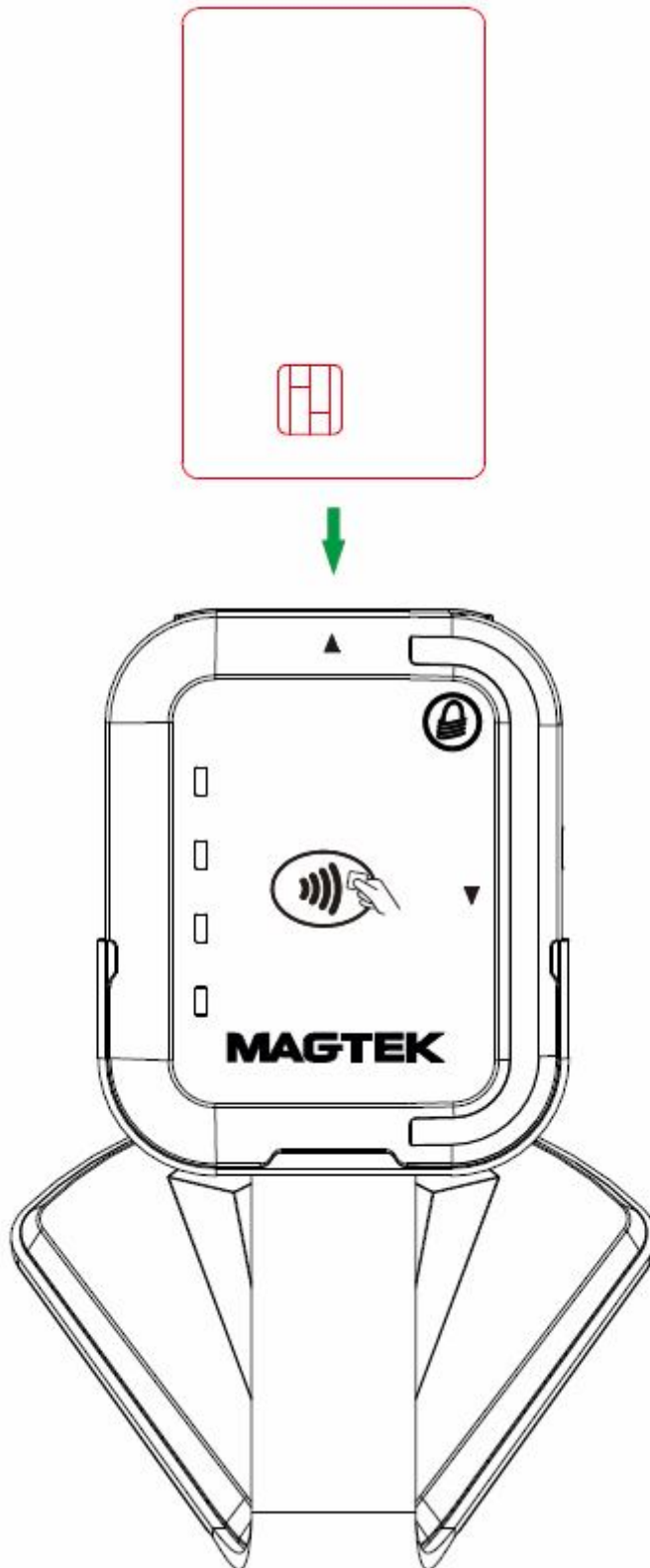
2.2 To use a MSR card

To swipect a card, make sure the MSR is on the bottom side, press the card to the bottom of the slot and swipect it .



2.3 TO use a IC card

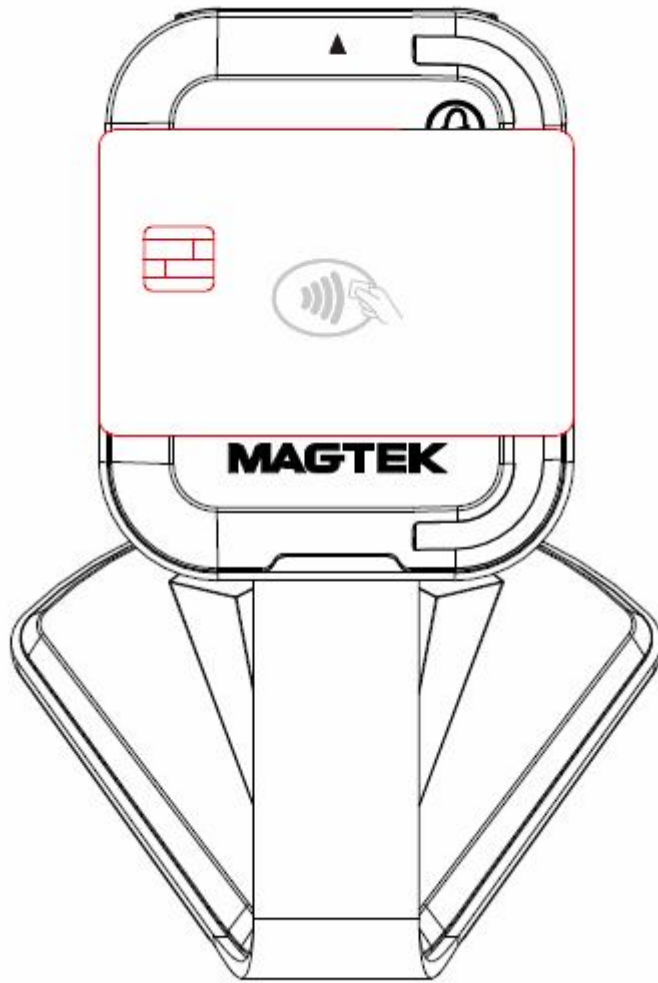
Make sure the IC contacts are on the top side. Insert the card to the end of the



slot.

2.4 To use a NFC card

Place the card near the NFC symbol on the case.



3 TransactionsGuide

Refer to the guide of the software.

FCC Compliance

This equipment has been tested and found to comply with the limits for a Class B digital device, pursuant to Part 15 of the FCC Rules. These limits are designed to provide reasonable protection against harmful interference in a residential installation. This equipment generates uses and can radiate radio frequency energy and, if not installed and used in accordance with the instructions, may cause harmful interference to radio communications. However, there is no guarantee that interference will not occur in a particular installation. If this equipment does cause harmful interference to radio or television reception, which can be determined by turning the equipment off and on, the user is encouraged to try to correct the interference by one or more of the following measures:

- Reorient or relocate the receiving antenna.
- Increase the separation between the equipment and receiver.
- Connect the equipment into an outlet on a circuit different from that to which the receiver is connected.
- Consult the dealer or an experienced radio/TV technician for help.

This device complies with part 15 of the FCC Rules. Operation is subject to the following two conditions: (1) This device may not cause harmful interference, and (2) this device must accept any interference received, including interference that may cause undesired operation.

Changes or modifications not expressly approved by the party responsible for compliance could void the