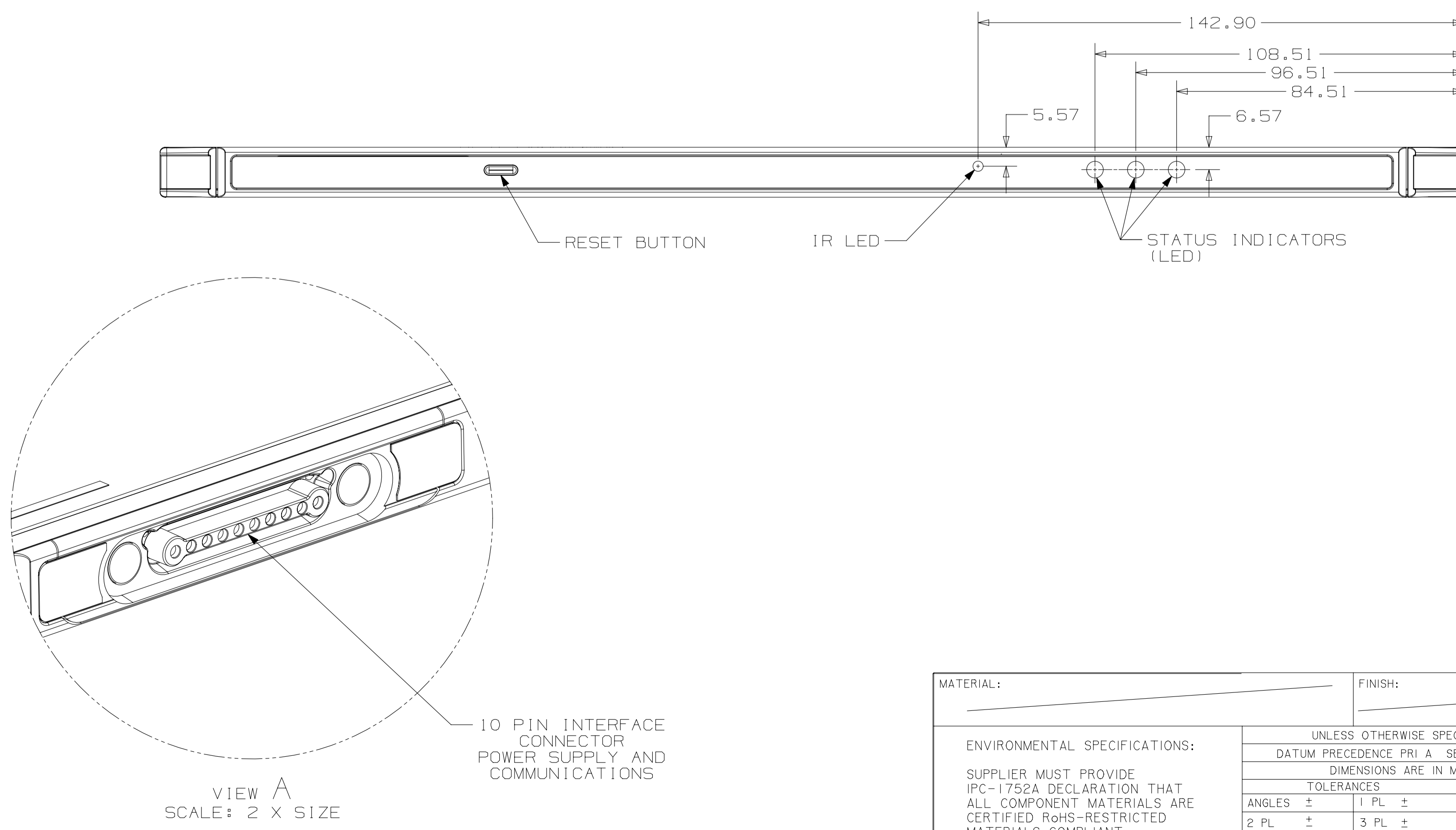
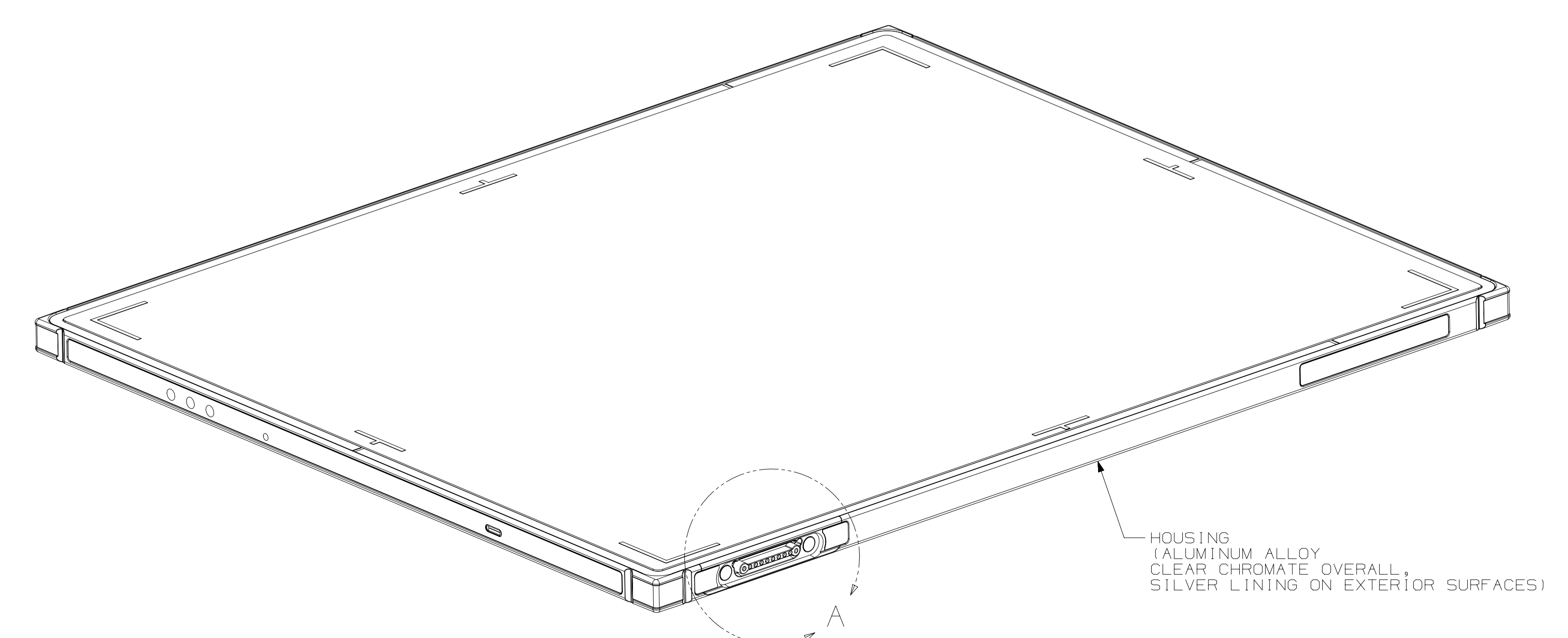


Label location for FCC and IC IDs.



REVISION RECORD		DESCRIPTION		DWG	
ZONE	REV.				

MATERIAL:		FINISH:		CARESTREAM HEALTH, INC.	
ENVIRONMENTAL SPECIFICATIONS:		UNLESS OTHERWISE SPECIFIED		TITLE	
SUPPLIER MUST PROVIDE IPC-1752A DECLARATION THAT ALL COMPONENT MATERIALS ARE CERTIFIED ROHS-RESTRICTED MATERIALS COMPLIANT		DATE: 2015 PER 10		ASSY-DETECTOR, 35x43	
INTERPRET PER ASME Y14.5 - 2009		DATUM PRECEDENCE: PRI A SEC B TER C		DSGN: DEFAZ10	
INTERPRET PER ASME Y14.5 - 2009		DIMENSIONS ARE IN MM		DFTG: DEFAZ10	
INTERPRET PER ASME Y14.5 - 2009		TOLERANCES		DES ENGR: DANIELS	
INTERPRET PER ASME Y14.5 - 2009		ANGLES: ± 1 PL ± 3 PL ±		MFG ENGR: REITANO	
INTERPRET PER ASME Y14.5 - 2009		THIRD ANGLE PROJECTION		SIZE: A0	
INTERPRET PER ASME Y14.5 - 2009		UNIGRAPHICS		DRAWING NO: AC1515	
INTERPRET PER ASME Y14.5 - 2009		UNIGRAPHICS		SCALE: 1:1	
INTERPRET PER ASME Y14.5 - 2009		UNIGRAPHICS		REV: A	
INTERPRET PER ASME Y14.5 - 2009		UNIGRAPHICS		SH: OF	