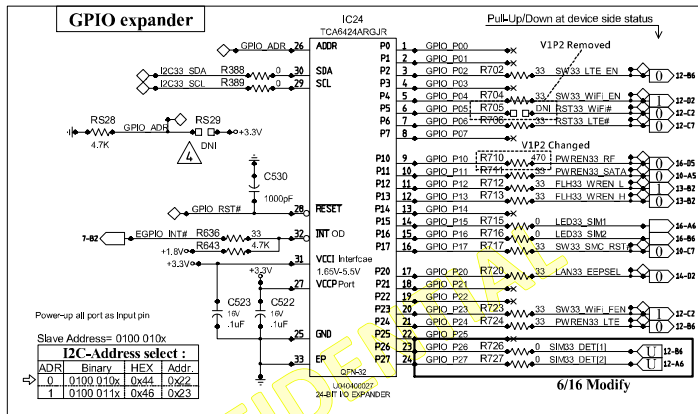
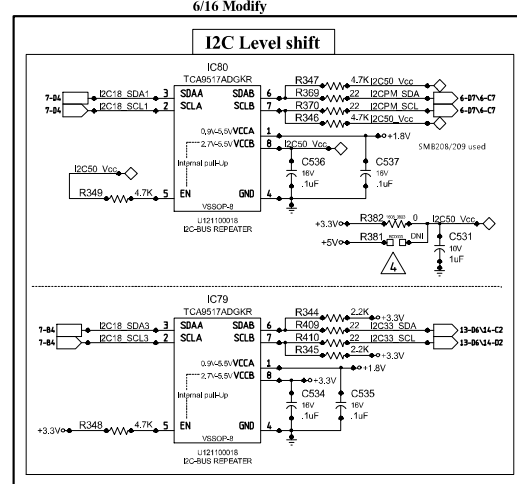
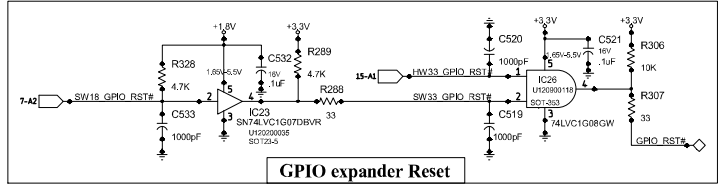
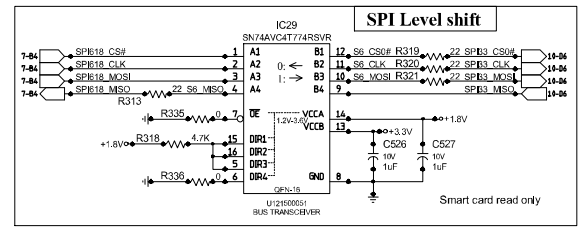
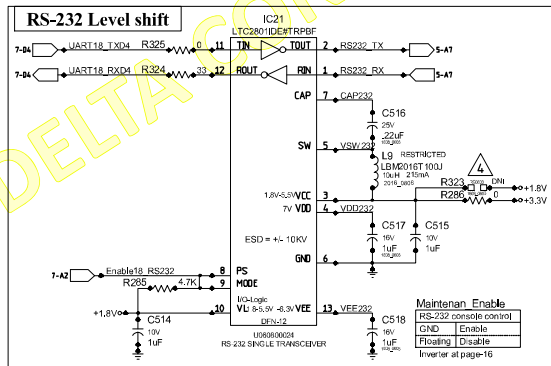
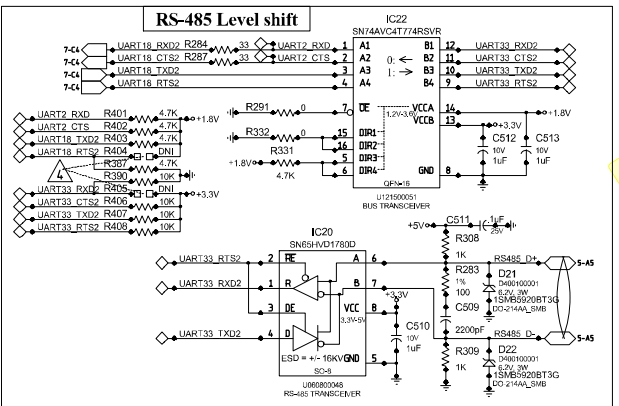
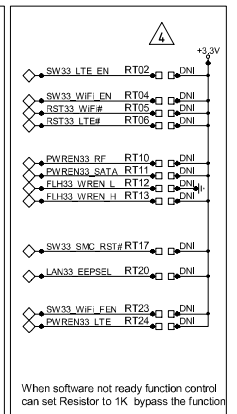


THE INFORMATION CONTAINED HEREIN IS CONFIDENTIAL AND PROPRIETARY TO PANASONIC AVIONICS CORPORATION AND SHALL NOT BE REPRODUCED OR DISCLOSED IN WHOLE OR IN PART OR USED FOR ANY DESIGN, MANUFACTURE, OR OTHERWISE EXCEPT WHEN SUCH USER POSSESSES DIRECT WRITTEN AUTHORIZATION FROM PANASONIC AVIONICS CORPORATION. THIS TECHNOLOGY WAS EXPORTED FROM THE U.S. IN ACCORDANCE WITH THE EXPORT ADMINISTRATION REGULATIONS. DIVERSION CONTRARY TO U.S. LAW IS PROHIBITED.



When S/W been confirmed and final GPIO setting then remove RTxx, if used to version control

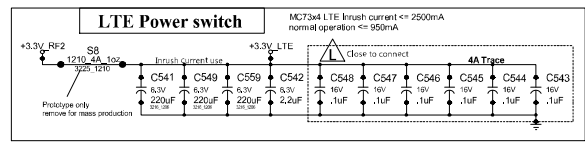
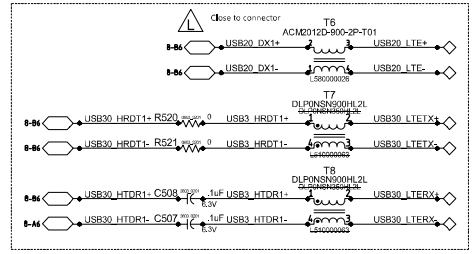
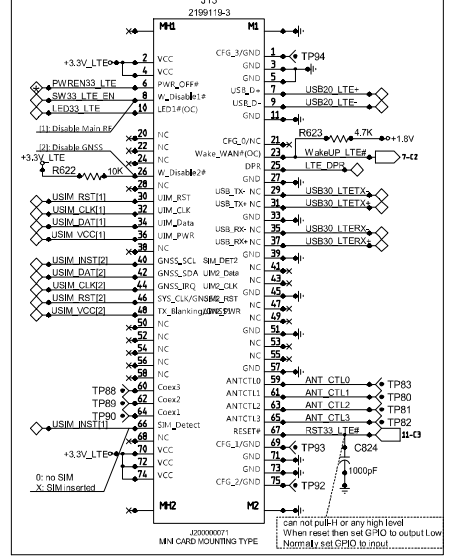


GPIO expander / Level shift

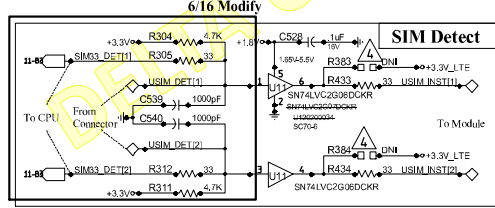
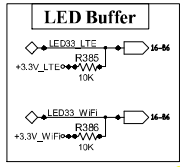
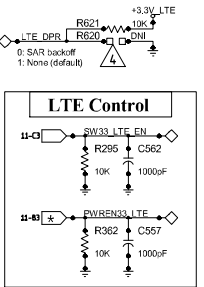
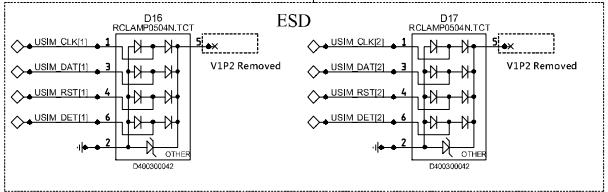
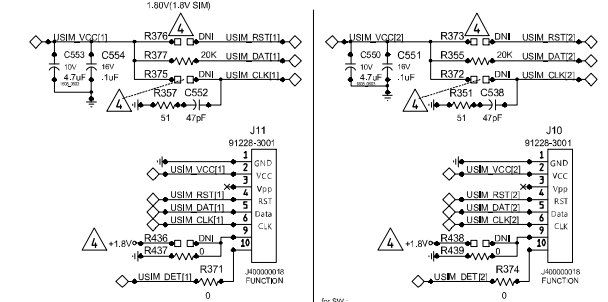
This file was saved on 2016/07/29 @ 10:32:42

THE INFORMATION CONTAINED HEREIN IS CONFIDENTIAL AND PROPRIETARY TO PANASONIC AVIONICS CORPORATION AND SHALL NOT BE REPRODUCED OR DISSEMINATED IN WHOLE OR PART OR USED FOR ANY DESIGN, MANUFACTURE, OR OTHERWISE, EXCEPT WHEN SUCH USER POSSESSES DIRECT WRITTEN AUTHORIZATION FROM PANASONIC AVIONICS CORPORATION. THIS TECHNOLOGY WAS EXPORTED FROM THE U.S. IN ACCORDANCE WITH THE EXPORT ADMINISTRATION REGULATIONS. VIOLATION CONTRARY TO U.S. LAW IS PROHIBITED.

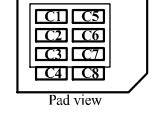
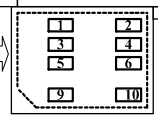
**LTE mini-PCIE M.2 connect**



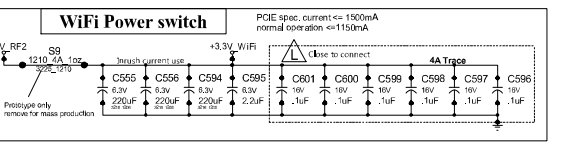
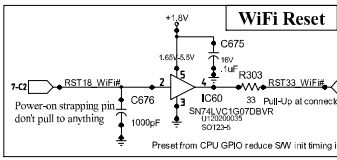
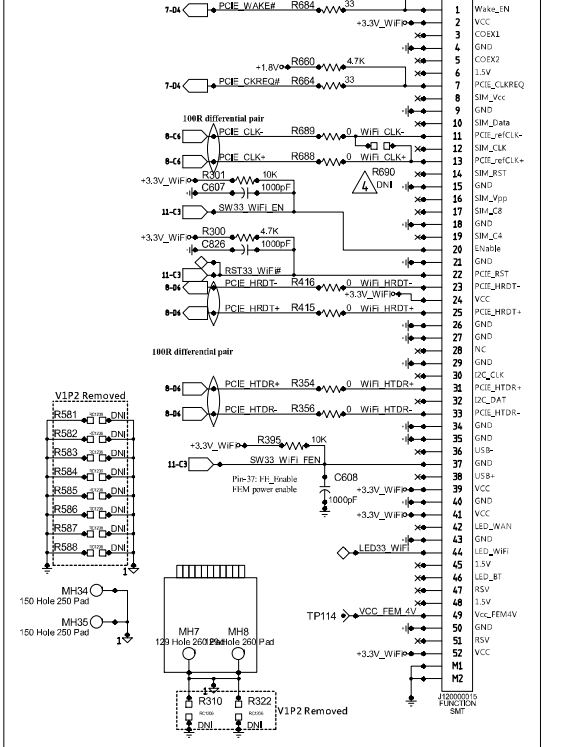
**2FF mini SIM interface**



**Footprint top view**



**WiFi mini-PCIE connect**



**LTE module for mini-PCIE M.2 / WiFi interface**

LTE-1 = EM7305  
LTE-2 = EM7355

SIZE	CAGE CODE	DRAWING NUMBER	REV
D	1UL05	DC-AA8190-1	03
SCALE: NONE	VBDC FILE: DC-AA8190-1rev03	SHEET 12 OF 19	

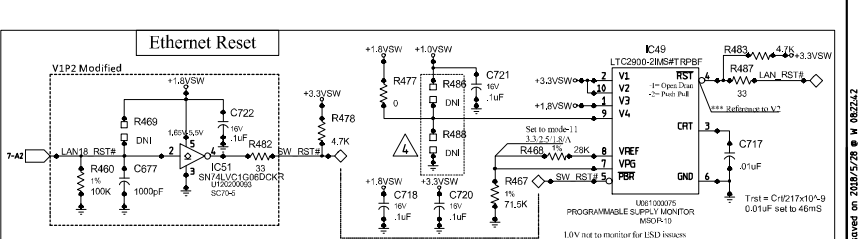
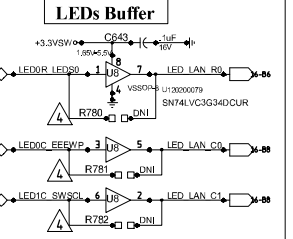
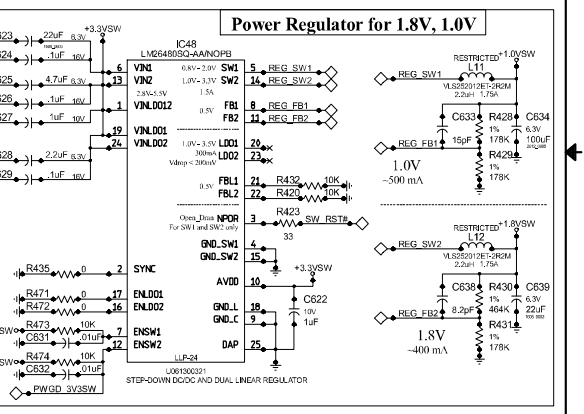
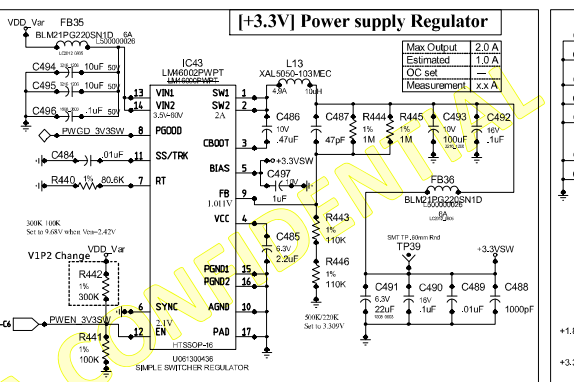
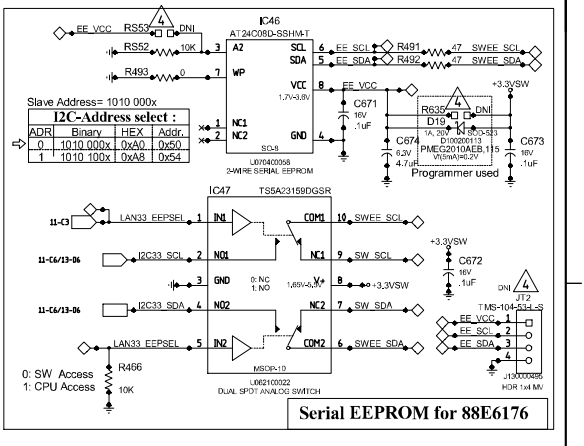
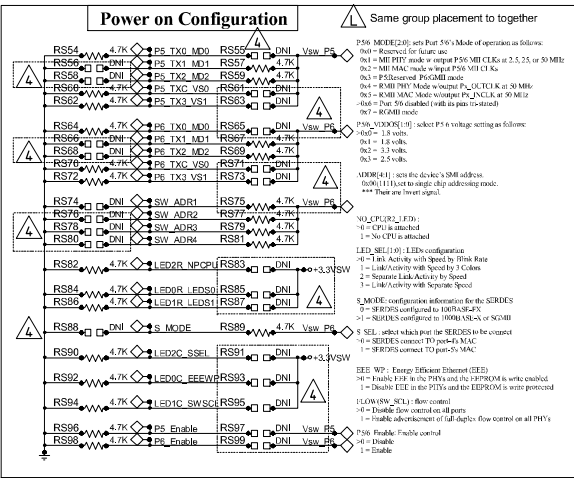
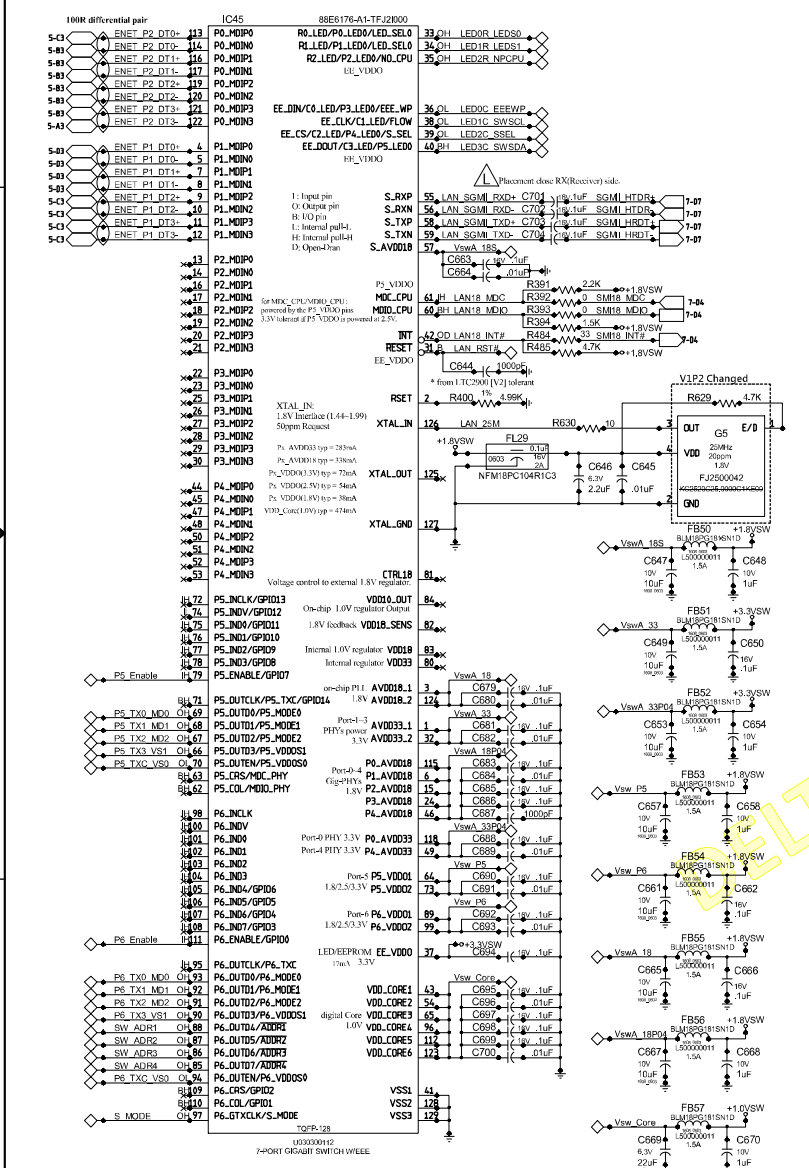
**DELTA NETWORKS, INC.**

Confidentiality Statement: The pages herein, together and individually are the sole property and product of Delta Networks, Inc. and may not be distributed, reproduced, copied, shared, or incorporated into other work in any form without explicit written permission.

**12 LTE module for mini-PCIE M.2 / WiFi interface**

Size	Document Number	Rev
C	1ADSC-170136	0.3
Date:	Thursday, March 16, 2017	Sheet 12 of 19

THE INFORMATION CONTAINED HEREIN IS CONFIDENTIAL AND PROPRIETARY TO PANASONIC AVINICS CORPORATION AND SHALL NOT BE REPRODUCED OR DISCLOSED IN WHOLE OR IN PART OR USED FOR ANY DESIGN, MANUFACTURE, OR OTHERWISE, EXCEPT WHEN SUCH USER POSSESSES DIRECT WRITTEN AUTHORIZATION FROM PANASONIC AVINICS CORPORATION. THIS TECHNOLOGY WAS EXPORTED FROM THE U.S. IN ACCORDANCE WITH THE EXPORT ADMINISTRATION REGULATIONS. DIVERSION CONTRARY TO U.S. LAW IS PROHIBITED.



88E6176 Ethernet switch

Table with columns: SIZE, CASE CODE, DRAWING NUMBER, REV. SCALE, VENDOR FILE, DC-A8190-1rev03, SHEET 14 OF 19, COMPUTER GENERATED DRAWING, DO NOT CHANGE MANUALLY.

DELTA NETWORKS, INC.

Confidentiality Statement: The pages herein, together and individually are the sole property and product of Delta Networks, Inc. and may not be distributed, reproduced, copied, stored, or incorporated into other work in any form without explicit written permission.

Table with columns: Title, Doc Number, Rev, Date, Sheet, of, Rev.