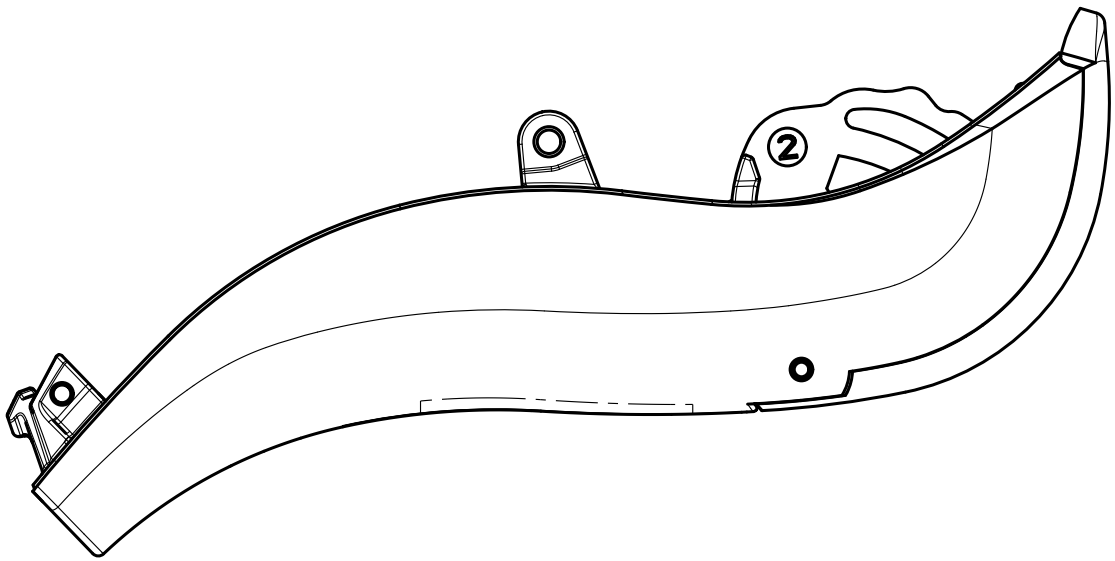
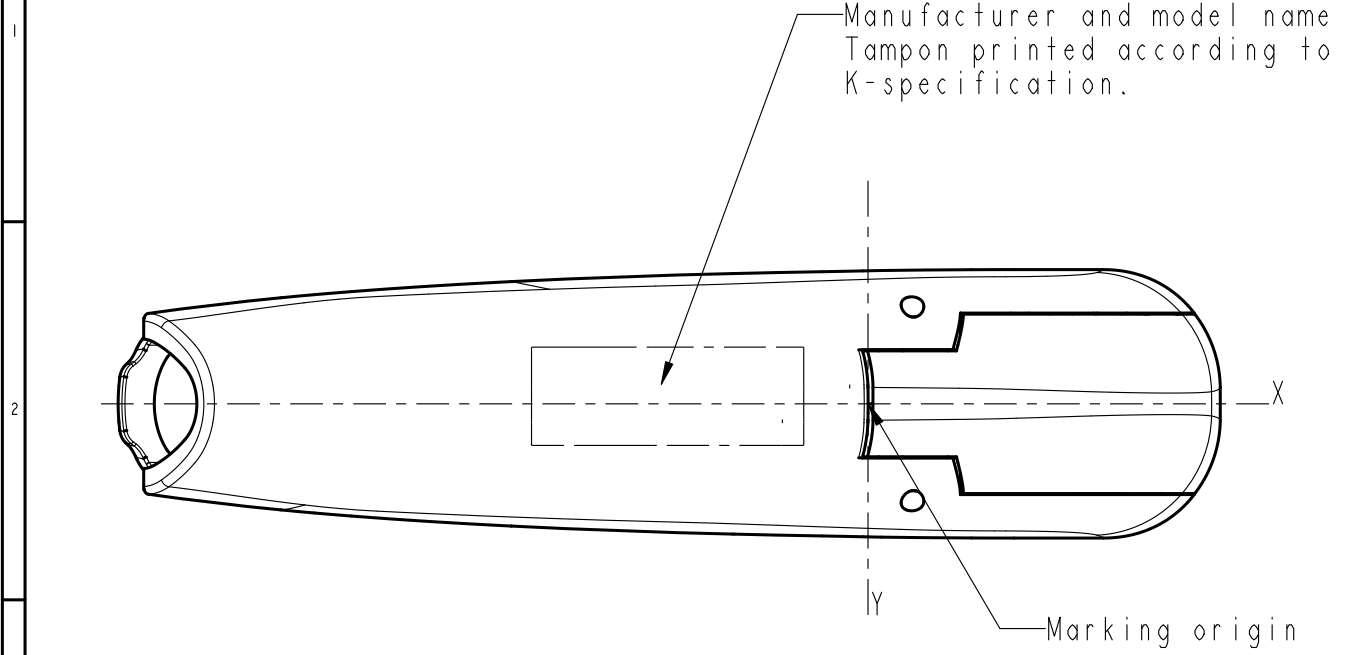


All dimensions in millimetres. This drawing must not be passed on to any person not authorized by us to receive it nor copied or otherwise made use of by such person without our authority unless otherwise specified.

A 4

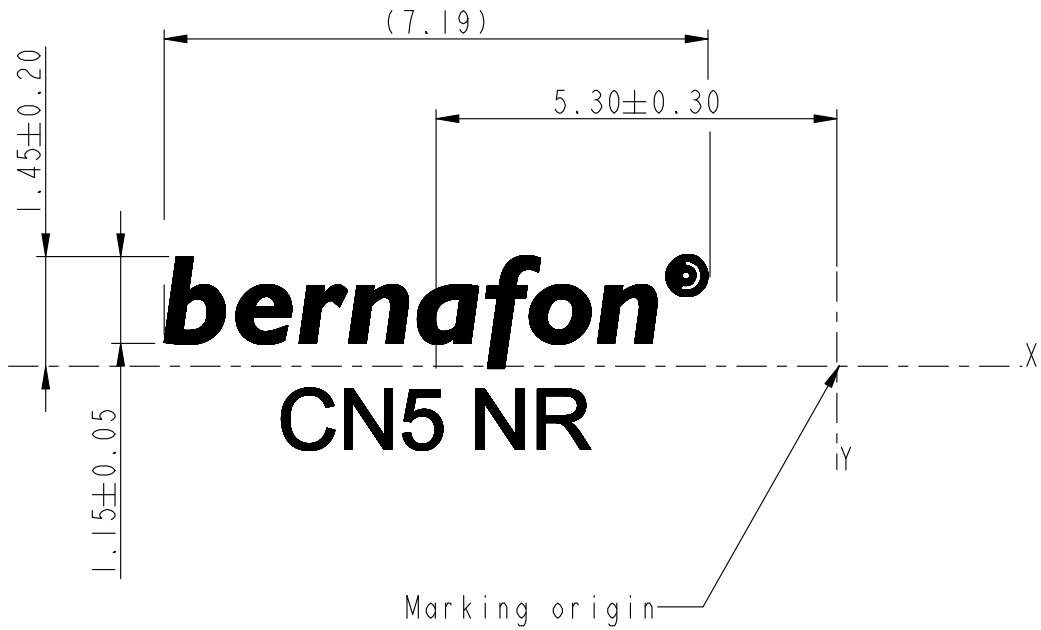


Scale 5:1		Sheet description -	
<del> </del>	Initials	Designation	Sheet No.
Originated by: brn_ai		Shell basis assy, RITE marked	$\frac{1}{1}$
Revised by: brn_msp			of shts.
<b>bernafon</b> <sup>®</sup> Your hearing · Our passion		Drawing No DOC-00011398	Category A
			Revision I

All dimensions in millimetres. This drawing must not be passed on to any person not authorized by us to receive it nor copied or otherwise made use of by such person without our authority unless otherwise specified.

A4

Font and Logo according to electronical .eps file

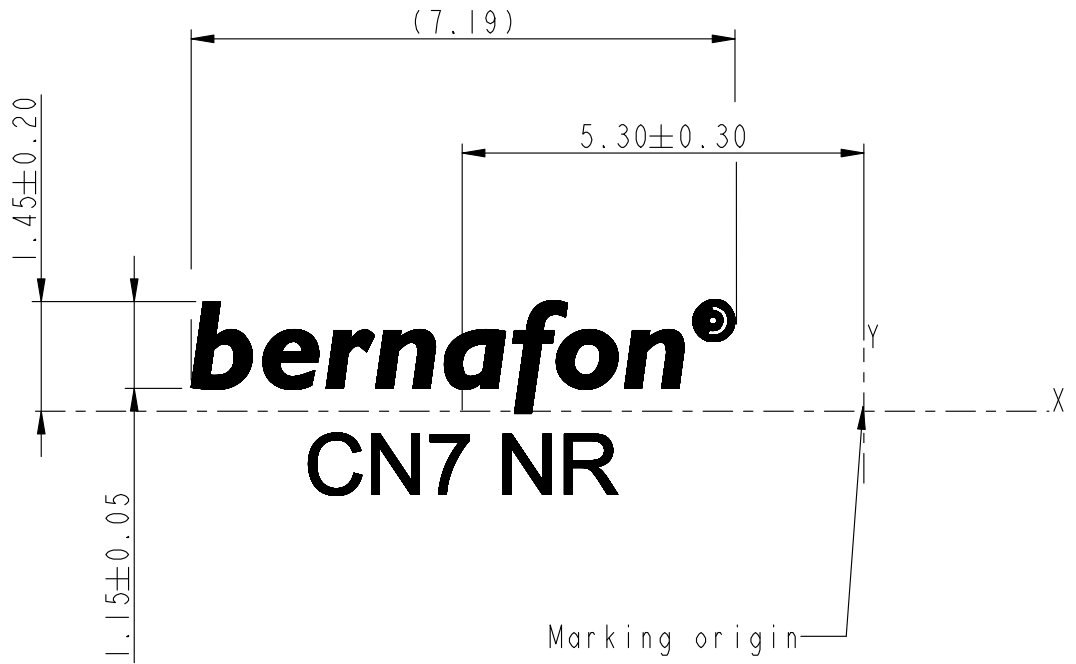


Scale 10:1		Sheet description -	
	Initials MSP	Designation Cliché, Bernafon CN5 NR	Sheet No. 1
Originated by:	Revised by:		of shts.
<b>bernafon</b> Your hearing • Our passion		Drawing No DOC-00013144	Category K
			Revision 0

All dimensions in millimetres. This drawing must not be passed on to any person not authorized by us to receive it nor copied or otherwise made use of by such person without our authority unless otherwise specified.

A4

Font and Logo according to electronical .eps file

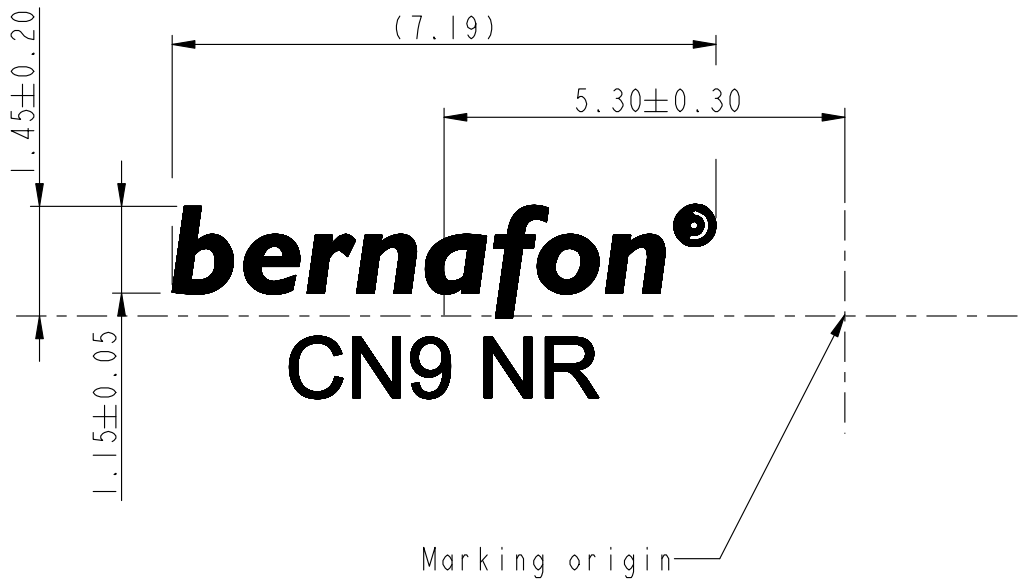


Scale 10:1		Sheet description -	
<del>Originated by:</del>	Initials MSP	Designation Cliché, Bernafon CN7 NR	Sheet No. 1
Revised by:			of shts.
<b>bernafon</b> Your hearing • Our passion		Drawing No DOC-00013143	Category K
			Revision 0

All dimensions in millimetres. This drawing must not be passed on to any person not authorized by us to receive it nor copied or otherwise made use of by such person without our authority.

A4

Font and Logo according to electronical .eps file

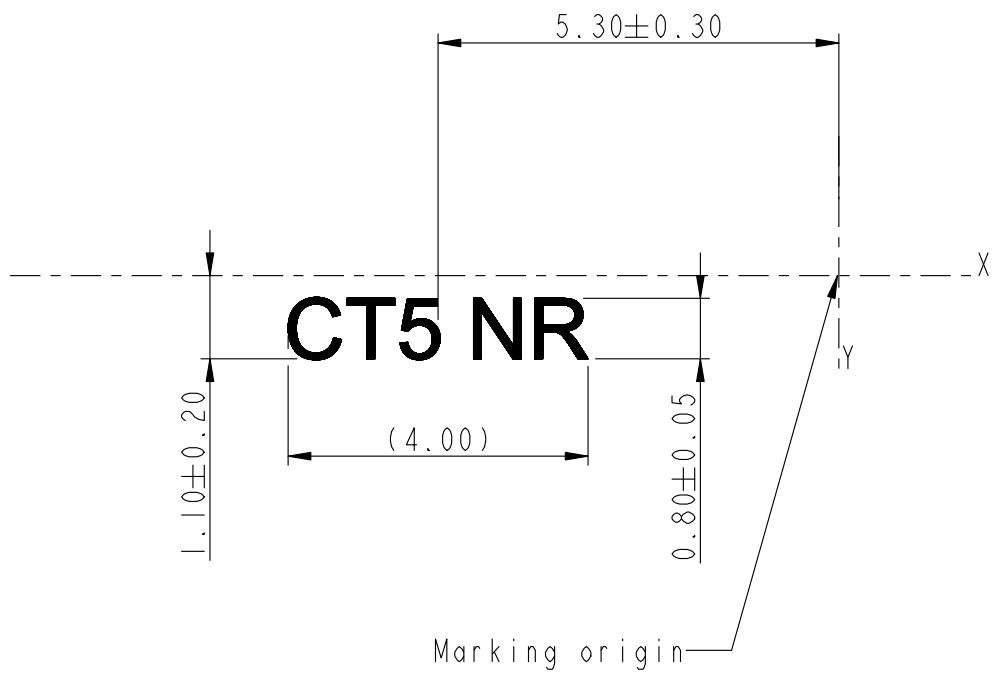


Scale 10:1		Sheet description -	
	Initials brn_ai	Designation Cliché, Bernafon CN9 NR	Sheet No. 1
Originated by:		Drawing No DOC-00011368	Category K
Revised by:			
<b>bernafon</b> Your hearing • Our passion		Revision 0	of shts.

A4

All dimensions in millimetres. This drawing must not be passed on to any person not authorized by us to receive it nor copied or otherwise made use of by such person without our authority unless otherwise specified.

Font according to electronical .eps file

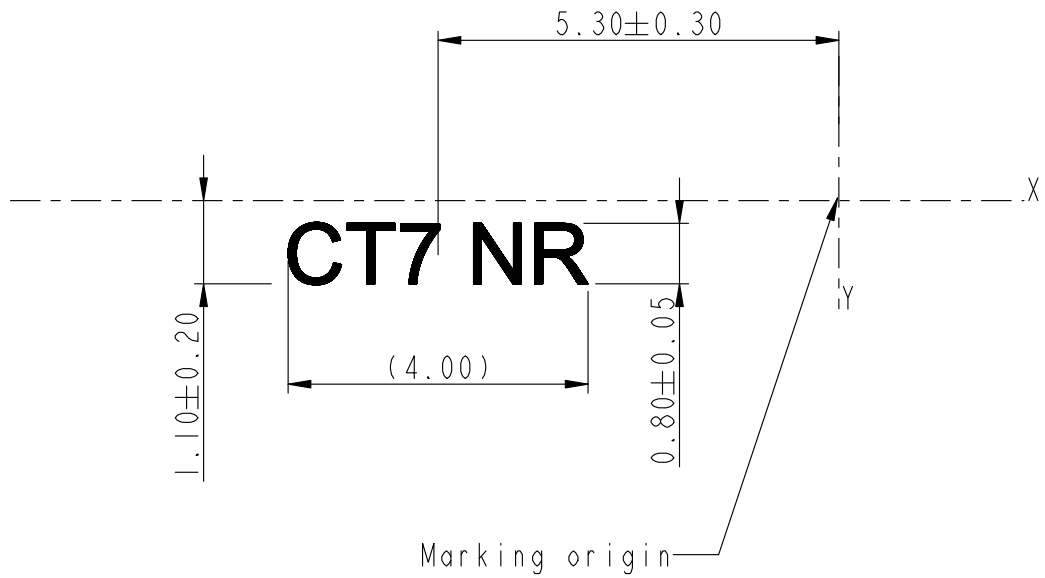


Scale 10:1		Sheet description -	
	Initials MSP	Designation Cliché, CT5 NR	Sheet No. 1
Originated by:			of shts.
Revised by:			Revision
<b>bernafon</b> <sup>®</sup> Your hearing • Our passion		Drawing No DOC-00013884	Category K
			0

A4

All dimensions in millimetres. This drawing must not be passed on to any person not authorized by us to receive it nor copied or otherwise made use of by such person without our authority unless otherwise specified.

Font according to electronical .eps file

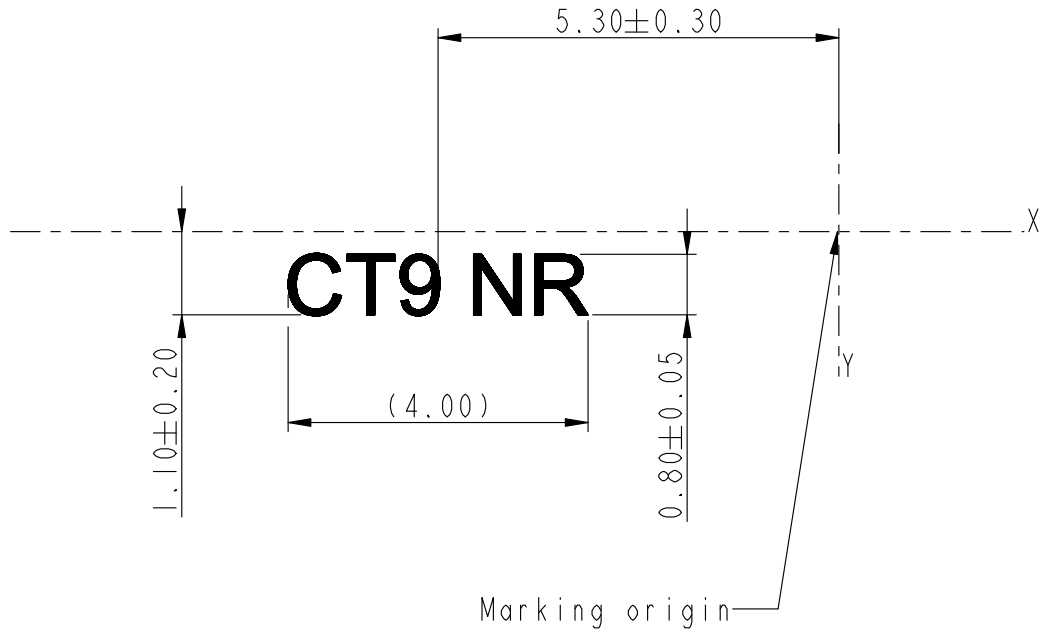


Scale 10:1		Sheet description -	
<del> </del>	Initials MSP	Designation Cliché, CT7 NR	Sheet No. 1
Originated by:			of shts.
Revised by:			Revision
<b>bernafon</b> <sup>®</sup> Your hearing • Our passion		Drawing No DOC-00013882	Category K
			0

A4

All dimensions in millimetres. This drawing must not be passed on to any person not authorized by us to receive it nor copied or otherwise made use of by such person without our authority unless otherwise specified.

Font according to electronical .eps file



Scale 10:1		Sheet description -	
<del>Originated by:</del>	Initials MSP	Designation Cliché, CT9 NR	Sheet No. 1
Revised by:			of shts.
<b>bernafon</b> <sup>®</sup> Your hearing • Our passion		Drawing No DOC-00013880	Category K
			Revision 0