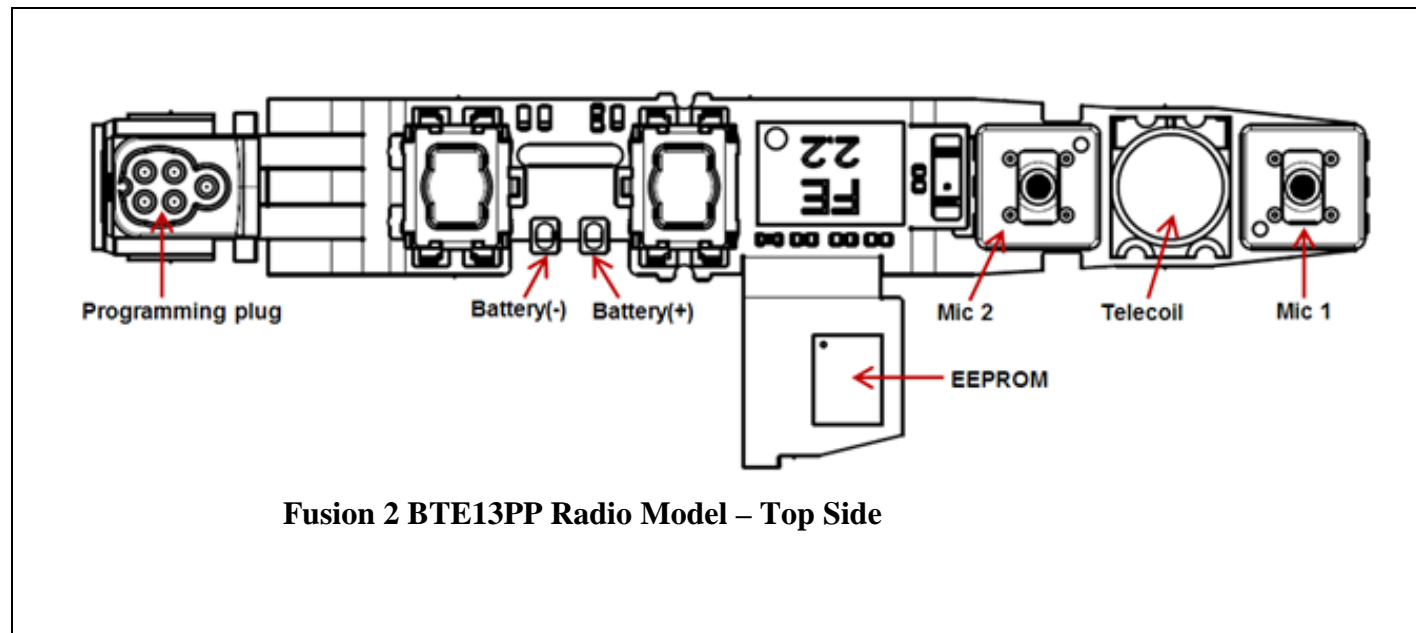


## Bernafon Radio Model - Quick Installation Guide

### Radio Model Name: Fusion 2 BTE13PP

The Fusion 2 BTE13PP radio model is a low power, short range, inductive radio transceiver working at 3.84 MHz. It can be seen below:

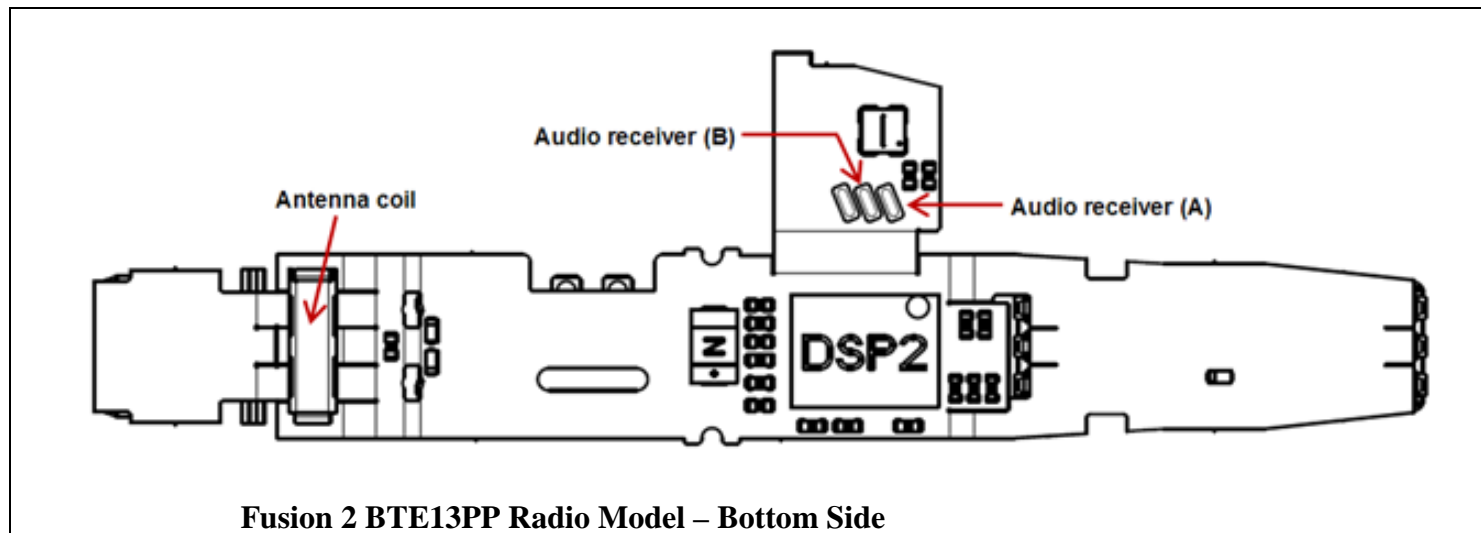


The most important parts of the radio module are a Digital-Signal-Processor (DSP), a radio Front-End (FE), an EEPROM memory, a telecoil and an antenna coil – all mounted on the same main flex PCB. On the top side besides the radio Front-End, EEPROM and telecoil, also switches for user interaction (e.g. volume control), two microphones, a programming plug and pads for connecting the battery can be seen. The radio model is intended to be installed in Oticon, Bernafon, Sonic and affiliated wireless hearing aid devices of the BTE (Behind-The-Ear) PP (Power Plus) or P wearing styles.

## Bernafon Radio Model - Quick Installation Guide

### Radio Model Name: Fusion 2 BTE13PP

The DSP is the main processor controlling the functionality of the amplifier and the FE is a complete radio transceiver, including both transmitter, receiver and local oscillators. The Fusion 2 BTE13PP radio module also includes all voltage regulators inside the DSP and FE and buffered data programming inputs (PC\_DATA and PC\_CLOCK) on board.



On the bottom side of the radio model the DSP, the antenna coil and pads for connecting the audio receiver can be seen.

The module only requires a single cell battery and an external audio receiver (speaker) to be attached and plastic shells holding everything together in order to be operational.

## **Bernafon Radio Model - Regulatory Label Information**

**Radio Model Name: Fusion 2 BTE13PP**

**Contains: FCC ID: U6XFU2BTEPP**  
**IC: 7031A-FU2BTEPP**

### **NOTICE:**

This device complies with Part 15 of the FCC Rules and with RSS-210 of Industry Canada.

Operation is subject to the following two conditions:

- (1) This device may not cause harmful interference, and
- (2) This device must accept any interference received, including interference that may cause undesired operation.

Changes or modifications made to this equipment not expressly approved by Bernafon AG may void the FCC authorization to operate this equipment.

*Le présent appareil est conforme aux CNR d'Industrie Canada applicables aux appareils radio exempts de licence.*

*L'exploitation est autorisée aux deux conditions suivantes:*

- (1) *l'appareil ne doit pas produire de brouillage, et*
- (2) *l'utilisateur de l'appareil doit accepter tout brouillage radioélectrique subi, même si le brouillage est susceptible d'en compromettre le fonctionnement.*