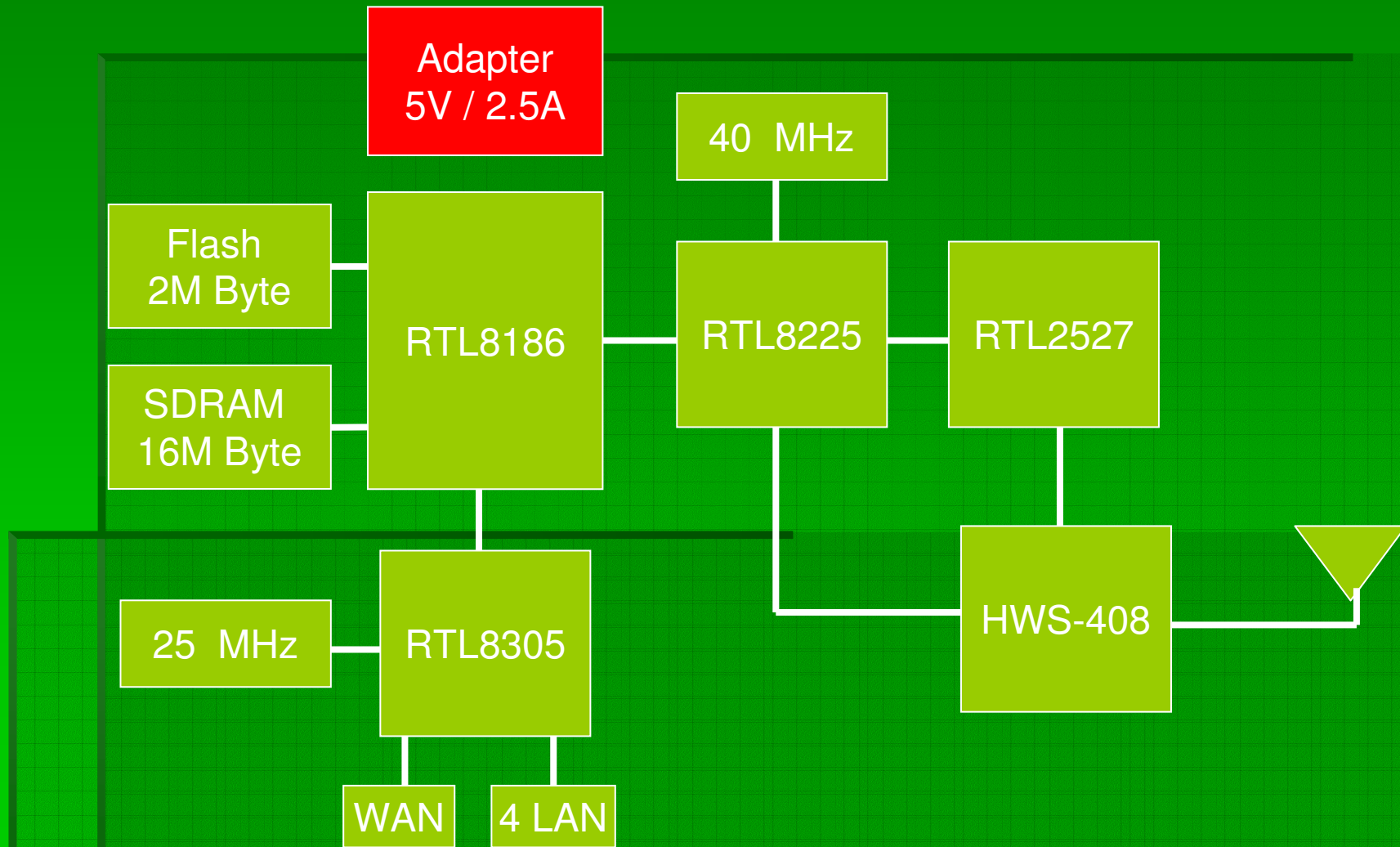


E-Top Open Meeting for BR330g HW

Gavin Chiu / Eddie Huang

BR330g HW Block Diagram



R330g Certification Plan

	R330g
認證Lab	律安(新竹)
FCC Part 15B	●
FCC Part 15C	●
CE / EN 300328	●
CE / EN 301489-17	●
CE / EN 60950-1	●
UL 60950	
Japan	
Australia	

HW Test Plan Review

- HW Test Item, as attached file
- Production Test Concern, as attached file
- Other Concern, as attached file