



易通達科技股份有限公司

E-TOP Network Technology Inc.

Phone (886)6-2640328 Fax (886) 6-2641866

[http:// www.etopnetwork.com.tw](http://www.etopnetwork.com.tw)

E-TOP Network Technology Inc.

11n USB Dongle (1T2R)

WU206n

11n USB Dongle WU206n (1T2R)

802.11 b/g/n Features

- 802.11b (11Mbps、5.5Mbps、2Mbps、1Mbps)
- 802.11g (54Mbps、48Mbps、36Mbps、24Mbps、18Mbps、12Mbps、9Mbps、6Mbps)
- Draft 802.11n(Max 300Mbps)
- MIMO (Multiple Input Multiple Output)
- Multi path Signal
- OFDM : MCM(Multi-Carrier Modulation)

Hardware Specification

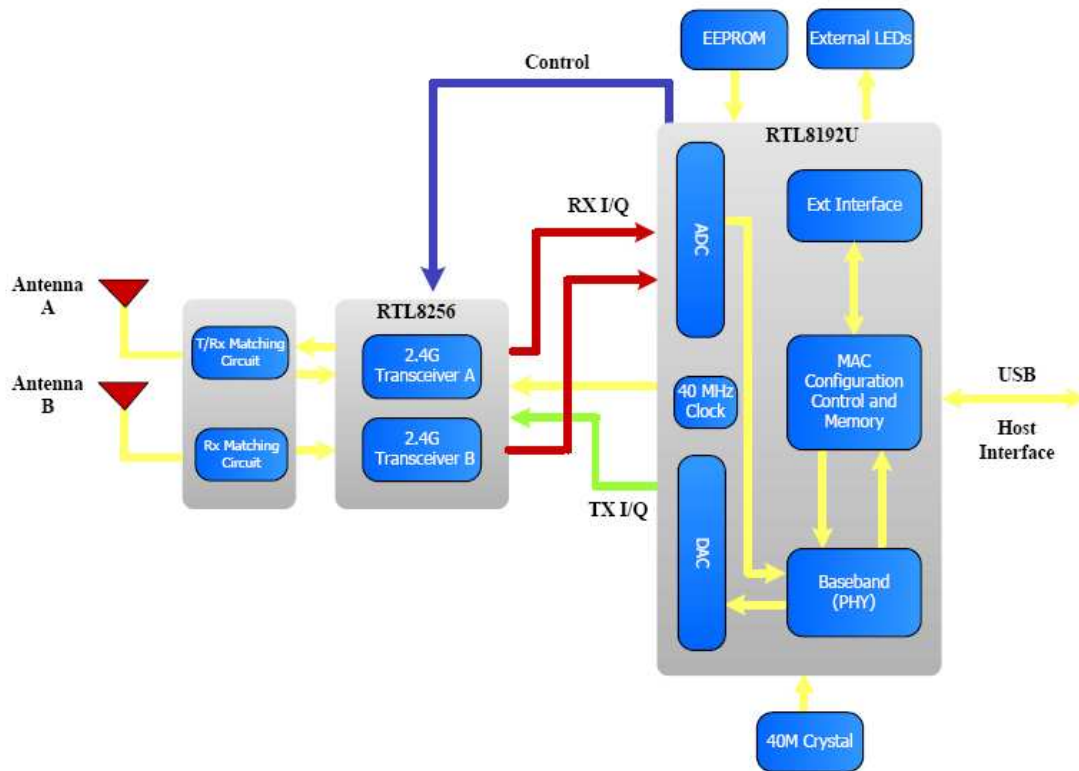
Hardware feature

- DBPSK / DQPSK / OFDM / CCK ◦
- 2.312~2.472GHz ◦
- WEP64、WEP128、WEP256、WPS、WPA1/2-PSK、WPA1/2-802.1x、AES-CCM ◦

Item	Specification
Key Components	
MAC / BB Processor /	RTL1892U + RTL8256
Others	
Interface	USB 2.0
Operation Requirement	Operating Temp. 0 to 40 Storage Temp. -20 to 70 Operating Humidity 10% to 85% Non-Condensing Storage Humidity 5% to 90% Non-Condensing
Peak Gain of the Antenna	2~3 dBi based on used antenna.
Transmitted Power	TBD
Receive Sensitivity	TBD
Dimensions	76.3 * 20.11 * 4.28 (mm)

Power supply	TBD
Button	WPS button

Hardware Block Diagram



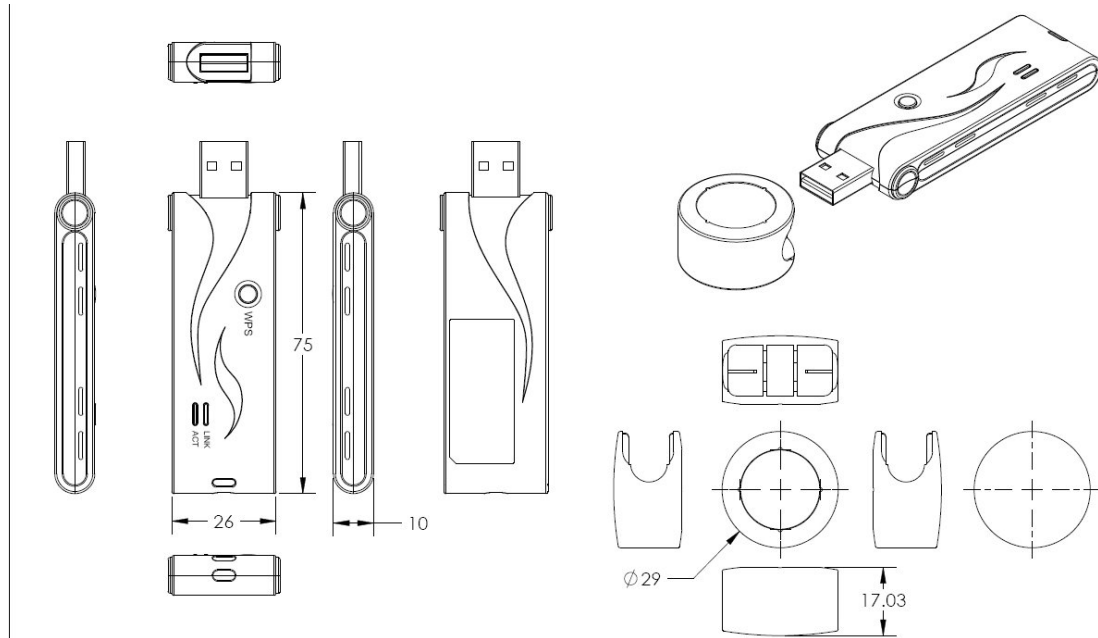
- ❑ *RFIC : Realtek RTL8192U (1T2R) .*
- ❑ *MAC/BBP : Realtek RTL8256 .*
- ❑ *300Mbps RX PHY Rate , 150Mbps TX PHY Rate Support .*
- ❑ *20MHz/40MHz bandwidth .*
- ❑ *WEP 64/128 , WPA , WPA2 Support .*
- ❑ *WPS PBC and PIN Support .*

4.3 LED Feature SPEC.

LED	State	Description
WLAN LED	Flashing	Data is transmitting or receiving on the antenna.
	Off	No data is transmitting or receiving on the antenna.
Power	On	WLAN Broadband Router is powered on.

LED	Off	WLAN Broadband Router is powered off.
------------	------------	---------------------------------------

5. M.E. Specifications



Performance Features

Wireless min average throughput

20MHz : 50Mbps

40MHz : 70Mbps

Necessary Approvals

CE	EN 300 328-2 (2.4GHz b) , EN301 489-17 (2.4GHz b)
LVD	EN 60950
FCC	Subpart 15B, Subpart 15C
NCC	

This device complies with Part 15 of the FCC Rules. Operation is subject to the following two conditions:

(1) This device may not cause harmful interference, and (2) This device must accept any interference received, including interference that may cause undesired operation.

1. Federal Communication Commission Interference Statement

This equipment has been tested and found to comply with the limits for a Class B digital device, pursuant to Part 15 of the FCC Rules. These limits are designed to provide reasonable protection against harmful interference in a residential installation.

This equipment generates, uses and can radiate radio frequency energy and, if not installed and used in accordance with the instructions, may cause harmful interference to radio communications. However, there is no guarantee that interference will not occur in a particular installation. If this equipment does cause harmful interference to radio or television reception, which can be determined by turning the equipment off and on, the user is encouraged to try to correct the interference by one of the following measures:

- . Reorient or relocate the receiving antenna.
- . Increase the separation between the equipment and receiver.
- . Connect the equipment into an outlet on a circuit different from that to which the receiver is connected.
- . Consult the dealer or an experienced radio/TV technician for help.

FCC Caution: To assure continued compliance, any changes or modifications not expressly approved by the party responsible for compliance could void the user's authority to operate this equipment. (Example - use only shielded interface cables when connecting to computer or peripheral devices).

FCC Radiation Exposure Statement

This equipment complies with FCC RF radiation exposure limits set forth for an uncontrolled environment. This equipment should be installed and operated with a minimum distance of 20 centimeters between the radiator and your body.

This transmitter must not be co-located or operating in conjunction with any other antenna or transmitter.

The antennas used for this transmitter must be installed to provide a separation distance of at least 20 cm from all persons and must not be co-located or operating in conjunction with any other antenna or transmitter.