



權億科技股份有限公司
Master Wave Technology Co., Ltd.

承認書

APPROVAL SHEET

Customers: 易通圓科技股份有限公司

Customer Model No.:

Master Wave Model No.: 98152MRSX008

Product Description: 8152 Replacement Ant.

Issue Date: 2011/9/30

REV.: 00

客戶承認用印 Customer Approved		權億承認用印 Confirmation Signature	
			
核准 Approve	主管 Chief	承辦 Responsible	
Hero	Corey	Charlene	

MASTER WAVE TECHNOLOGY CO., LTD.

權億科技股份有限公司

Address: No.81-8, Longshou St., Taoyuan City, Taoyuan County 330, Taiwan (R.O.C.)

Tel: +886-3-3600306 Fax: +886-3-3600979

Shengyih Electronic Plastic Co. Ltd (Shou Zhou)

聲億電子塑膠有限公司 (蘇州廠)

Address: No.95 Wusong south Rd of Luzhi Town Wu zhong Area Suzhou City, China

Tel : +86-512-65046030 Fax : +86-512-65046033

Shengyih Electronic Plastic Manufactory (Dongguan)

聲億電子塑膠製品廠 (東莞廠)

Address: Mu-Lun Administration Area, Changping Town, Dongguan City, Guangdong Province, China

Tel : +86-769-83914045 Fax : +86-769-83914046



Table of Contents

Item

1. Antenna Specifications

- Drawing
 - Electrical Properties
 - Mechanical Properties
-

2. Test Report

- Electrical test
 - Pattern test
 - Antenna Efficiency
-

3. Material Certifications

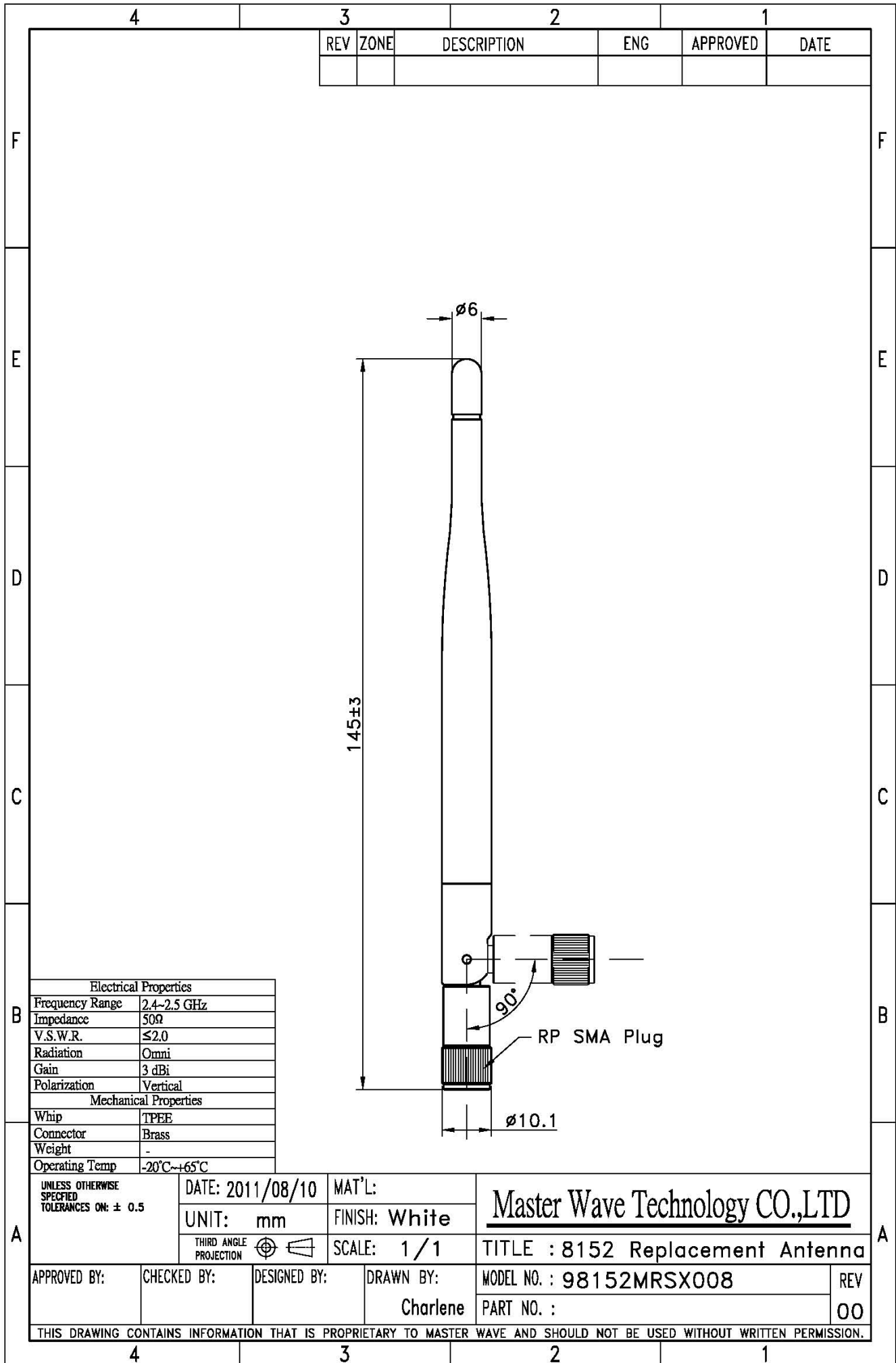
- Connector
 - Cable
-

4. Packing

- PE Bag
- Carton

Modification History:

REV.	Date	Content
00	2011/9/30	





Electrical Properties

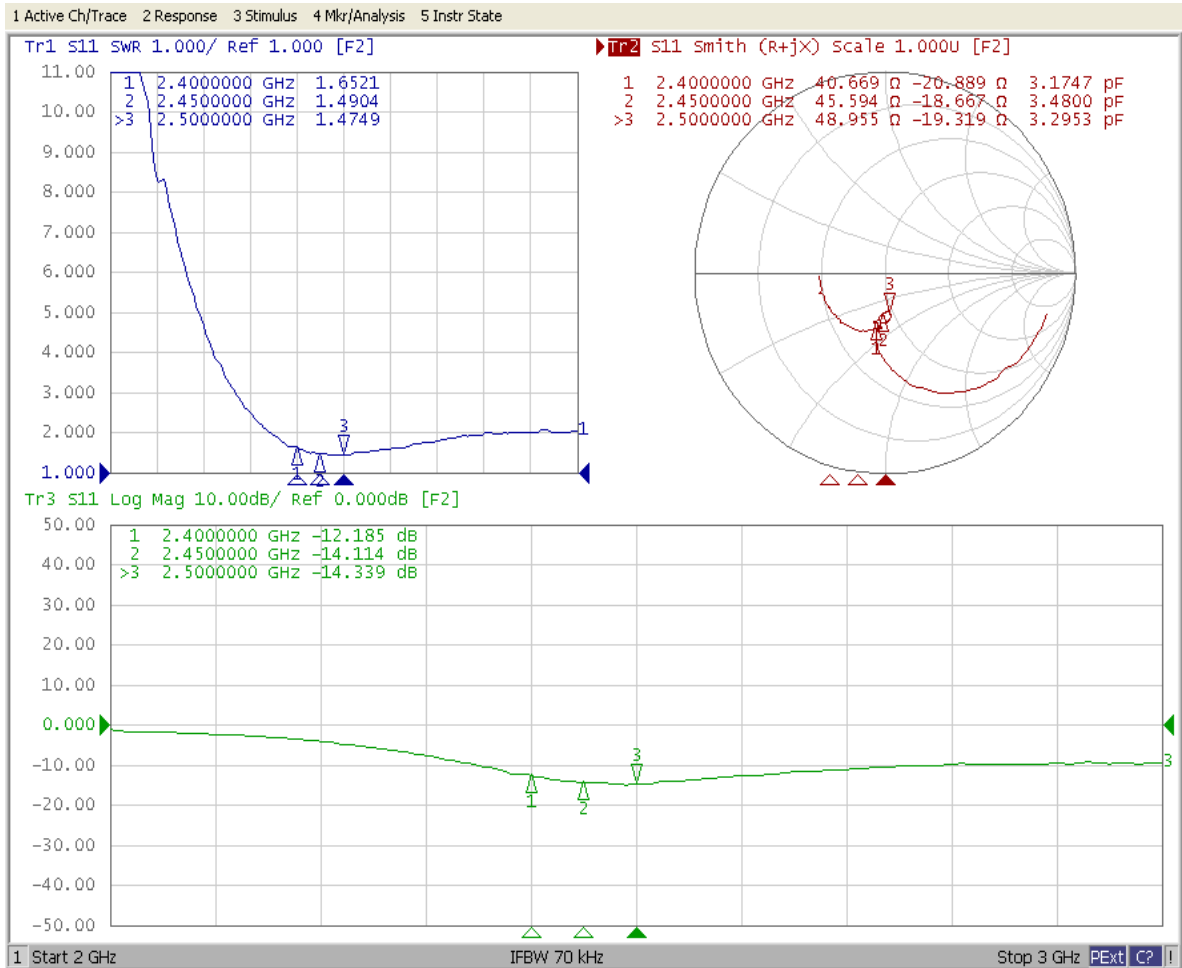
Type	8152 Replacement Antenna
Frequency range	2.4~2.5 GHz
Impedance	50 Ohms
VSWR	≤ 2.0

Mechanical Properties

Material	TPEE
Connector	RP SMA Plug
Dimension(L*W*H)	145* \varnothing 10.1* \varnothing 6 mm

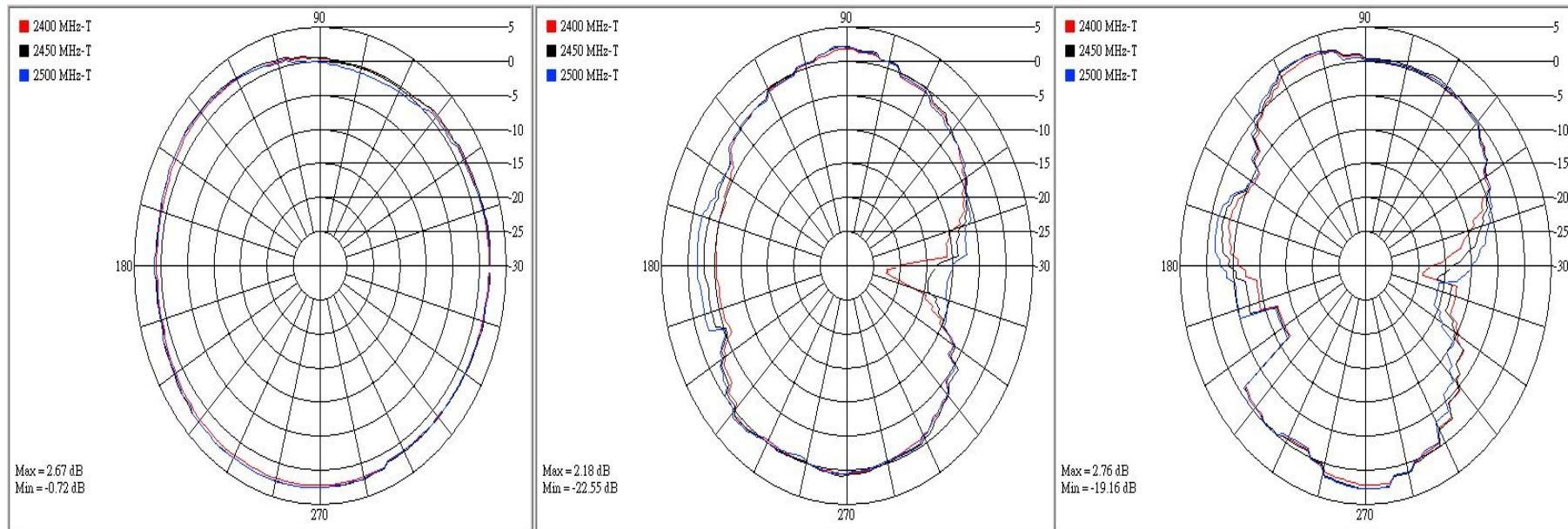


Electrical Test





2D Radiation Pattern



XY-Plane

XZ-Plane

YZ-Plane



Antenna Efficiency

XY-Plane			
Frequency (MHz)	2400	2450	2500
Peak Gain (dBi)	2.68	3.00	2.96
Average Gain (dB)	1.56	1.72	1.67
XZ-Plane			
Frequency (MHz)	2400	2450	2500
Peak Gain (dBi)	1.79	2.07	2.18
Average Gain (dB)	-2.79	-2.32	-2.21
YZ-Plane			
Frequency (MHz)	2400	2450	2500
Peak Gain (dBi)	2.28	2.76	2.74
Average Gain (dB)	-2.75	-2.27	-2.16

Frequency (MHz)	2400	2450	2500
Efficiency (%)	87.14	92.76	90.42



Connector

SMA

Electrical Properties	Impedance	50 ohm
	Frequency Range	0~6 GHz
	V.S.W.R	≤ 1.5
	Working Voltage	≤ 250Vrms
	Dielectric Withstanding	≤ 670 Vrms
	Voltage Insulation Resistance	≥ 2000 Megohms
	Contact Resistance	Center contact: 3.0 Milliohms (Max.) Outer contact: 2.0 Milliohms (Max.)
	Recommended coupling nut torque	4.0 in. lbs. ~ 8.8in. lbs.
	Coupling nut retention force	≥ 60 lbs.
	Contact captivation axial	≥ 6 lbs.
	Coupling Proof Torque	15 in-lbs.min
	Durability (mating)	≥ 500 cycles
Environmental Ratings	Operating Temperature	-65°C ~ +165°C
	Thermal shock	MIL-STD-202,METHOD 107,Condition B
	Corrosion	MIL-STD-202,METHOD 101,Condition B
	Shock	MIL-STD-202,METHOD 213,Condition I
	Vibration	MIL-STD-202,METHOD 204,Condition D
	Moisture Resistance	MIL-STD-202,METHOD 106
Material Specifications	Material Data	Material
	Body	Brass
	Center Contact	Brass
	Insulator	Teflon



線材規格

CABLE SPECIFICATION

SPECIFICATION:		RG178	CABLE	CONSTRUCTION		D.W.G
ITEM		SPECIFICATION				
CONDUCTOR	AWG	30AWG				
	MATERIAL	Silver-plated copper wire stranded conductor				
COND.SIZE	7/0.102±0.008 mm					
MATERIAL	Teflon FEP					
INSULATION	O . D	0.87±0.03 mm				
	N O.	1C				
	COLOR	Natural color				
BRAID	MATERIAL	Silver-plated copper wire				
COPPER	SIZE	3/16/0.1 Min.95% ↑				
	MATERIAL	Teflon FEP				
JACKET	COLOR	White,Black,Brown,Gray				
	O . D	1.8±0.10 mm				
	COLOUR CODE:					
1. 30AWG*1C						
MARKING						
REMARK						
Character of electrical						
Item	Unit	Detail of spec.				
1.Capacitance(Nom.)	pF/M	95				
2.Impedance	-----	50±2				
	-----	1.5				
3.Attenuation(Max.)	1.0GHZ	2.1				
	2.0GHZ	2.4				
	2.4GHZ	2.6				
	3.0GHZ	3.1				
	4.0GHZ	3.5				
	5.0GHZ	3.9				
6.0GHZ						
PHYSICAL PROPERTIES OF JACKET						
Master Wave Technology Co., Ltd.						
PART NO.	APPROVED		CUSTOMER			
CHECKED	DRAWING		REV		A	
DRAWING	Dyan		DATE		2007/10/8	

