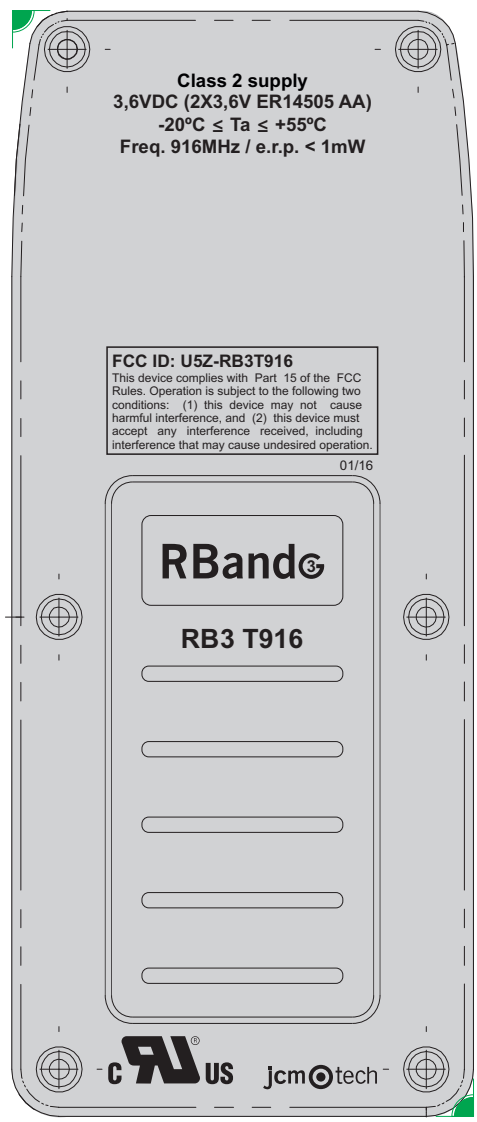


REV	ID	DATE	APPLIED CHANGES
01		05/11/2015	Unique label for both Rb3 T868 and 916
02		03/12/2015	U5Z added on the FCC ID number
03		26/01/2016	All markings on the outside part of the cover. UL marking, jcm logo model name and data of manufacturing added.

Detail



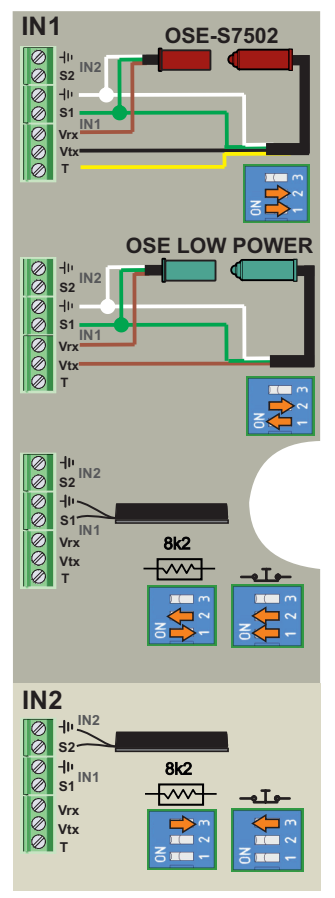
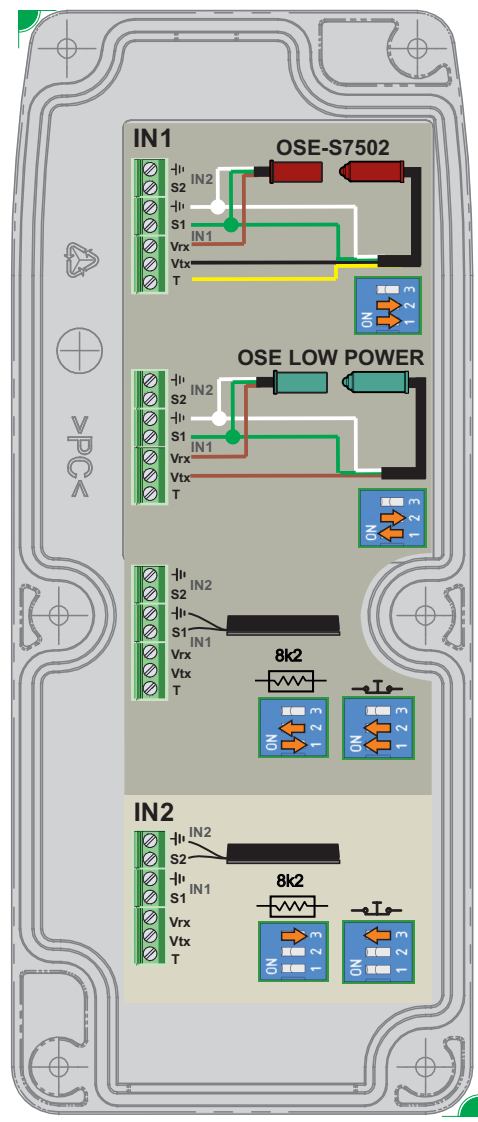
Class 2 supply
3,6VDC (2X3,6V ER14505 AA)
-20°C ≤ Ta ≤ +55°C
Freq. 916MHz / e.r.p. < 1mW

FCC ID: U5Z-RB3T916
This device complies with Part 15 of the FCC Rules. Operation is subject to the following two conditions: (1) this device may not cause harmful interference, and (2) this device must accept any interference received, including interference that may cause undesired operation.

RBand
RB3 T916



Detail



CONFIDENTIAL INFORMATION

COSTUMER			REVISED BY	DATE
JCM Tech			G.Reverter	23/09/2015
MARK TYPE	COLOR	PANTONE or RAL	MODIFIED BY	DATE
Laser	-		G.Reverter	26/01/2016
GENERAL TOLERANCES				

EQ. NAME		REV
PL-T RB3T916		03
SHEET	PLOT NAME	
A3	Datasheet	
Scale	VERSION	

jcmtech		RG10-9
SHEET 1 OF 1		