



MillerEdge®

# R BAND

MONITORED DOOR EDGE TRANSMITTER/RECEIVER

INSTALLATION INSTRUCTIONS

FC cRU<sup>®</sup>us Model: RB-D-K10

In partnership with  
jcm<sup>®</sup>tech

## IMPORTANT: READ AND UNDERSTAND ALL INSTRUCTIONS BEFORE BEGINNING INSTALLATION

The Miller Edge RBand Monitored Door Edge Transmitter/Receiver system is intended to provide a wireless connection between a monitored sensing edge and a motorized operator installed with a garage door or grille. RBand meets the 2016 UL 325 requirements for monitored devices and has been certified as a UL 325 Recognized Component. It is designed for use with operators that comply with 2016 UL 325 using a Miller Edge 10K Sensing Edge.

### 1. PARTS LIST

#### Kit Contents:

1. RBand Edge Transmitter (RB-TX10)
2. RBand Door Edge Receiver (RB-D-RX10)
3. (2) 3.6V AA lithium batteries\*
4. (4) #6 pan head transmitter mounting screws

\*Replacement 3.6V AA lithium batteries can be purchased at your local electronics store or via Miller Edge.

#### Required:

- 1/8" flat blade screwdriver
- 1/4" flat blade screwdriver
- Miller Edge 10K (T2/blue band) Sensing Edge

#### Recommended:

- Multi-meter capable of reading 10KΩ
- Mounting screws as required for Receiver

### 2. RECEIVER INSTALLATION

- 2-1. Turn off power to the door operator.
- 2-2. Remove Receiver cover and mount the Receiver base near the operator, where it will be in line of sight with the Transmitter for the entire range of travel [IMAGE 1].
- 2-3. Connect power (12-24 VAC/DC) to the terminals marked **power**, noting the +/- polarity. 24 VAC power can be connected either way not polarity sensitive [IMAGE 2].
- 2-4. Connect C1 to E5 input and BS1 to E6 input on the door operator.
- 2-5. Replace the Receiver cover and turn on power to the operator. Note: it takes ~5 seconds for the Receiver to initialize.

Note: RBand 10K Door Edge Receiver is compatible with up to 3 RBand Transmitters.

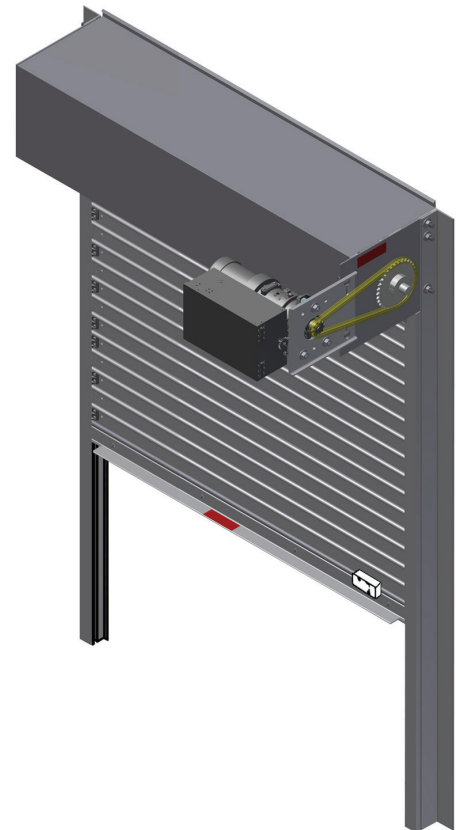
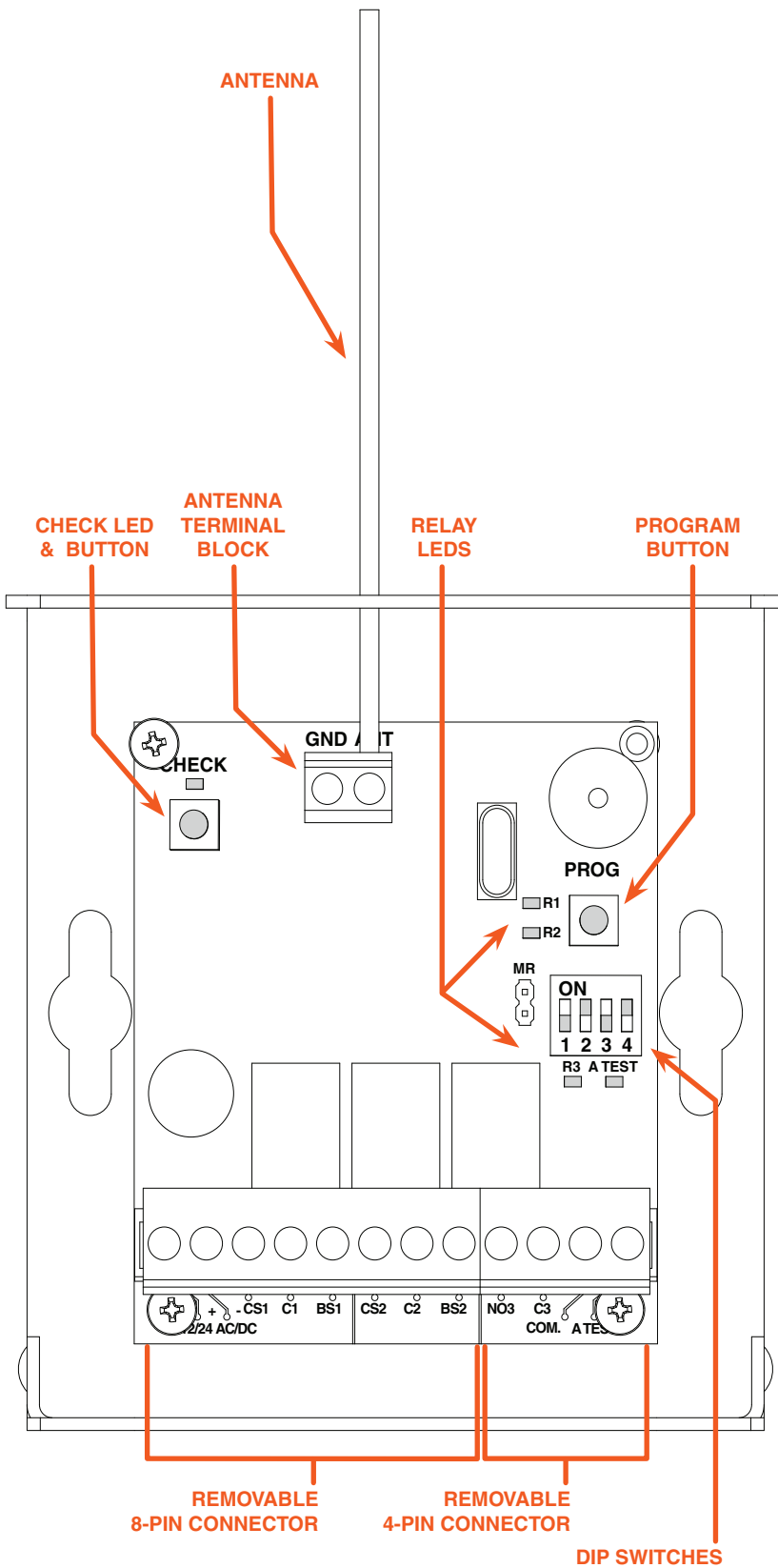


IMAGE 1. Door Installation with RBand Transmitter & Receiver



**LED INDICATORS**

**Initial Power**

- No Transmitters Programmed: R1 & R2 LEDs on

**R1 or R2 LED**

- Programmed: **Off**
- Fault Condition: **On**

**R3 LED**

- **On** when battery is low

**A TEST LED**

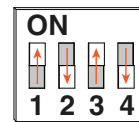
- **On** in test mode

**CHECK LED**

**(both channels programed)**

- Programmed: Check LED flashes every 5 seconds

**DIP SWITCH SETTINGS**



Switch 1-4: Leave switches in factory default settings

**TABLE 1. REMOVABLE CONNECTORS**

**8-PIN CONNECTOR**

**Power**

- +12/24 AC/DC ▶ Constant power source
- 12/24 AC/DC ▶ Constant power source (ground)

**Relay Output 1**

- CS1 ▶ Not used
- C1 ▶ E5
- BS1 ▶ E6

**Relay Output 2**

- CS2 ▶ Not used
- C2 ▶ Not used
- BS2 ▶ Not used

**4-PIN CONNECTOR**

**Relay Output 3**

- NO3 ▶ Low battery alarm (optional)
- C3 ▶ Low battery alarm (optional)

**N.C. Power Cycling**

- COM. ▶ Not used
- A TEST ▶ Not used

IMAGE 2. RBAND GATE EDGE RECEIVER PCB & CONNECTIONS

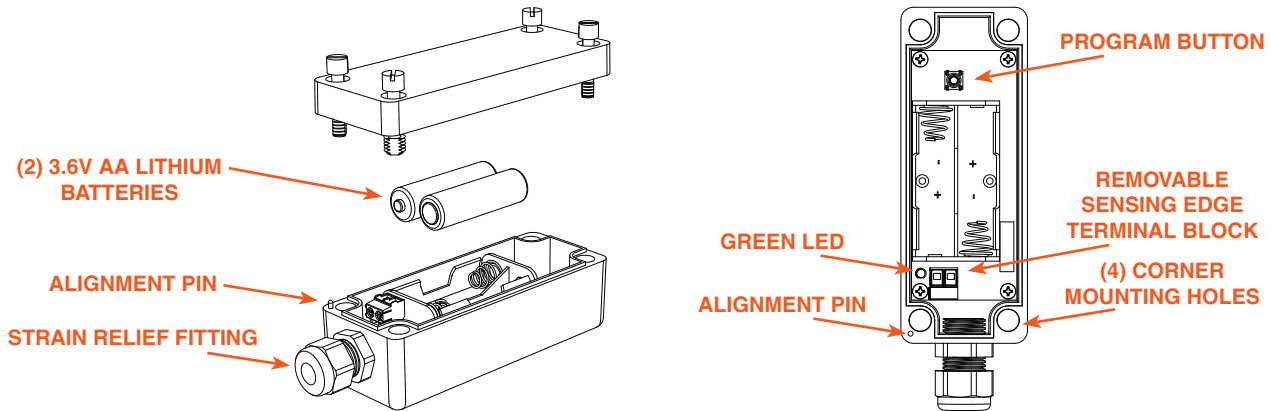


IMAGE 3. RBAND Edge Transmitter PCB & Connections

### 3. TRANSMITTER: PROGRAM MODE

- 3-1. Confirm the Receiver is powered up. Prior to mounting the Transmitter, remove the cover and insert the batteries, noting their polarity. The **green LED** on the Transmitter should blink to indicate that it has not been associated with the Receiver yet [IMAGE 3].
- 3-2. To enter **learn** mode, press and hold the Receiver **program button** for ~2 seconds until the **R1 LED** turns on, then release the button [IMAGE 2].
- 3-3. Press the Transmitter **program button** for ~2 seconds [IMAGE 3]. The Receiver should **beep**. Wait 10 seconds for an additional **beep** to indicate that programming is complete.

### 4. TRANSMITTER: INSTALL & TEST

- 4-1. Strip back approximately 2 inches of outer covering of sensing edge cable, then feed through Transmitter **strain relief fitting**. Connect the two sensing edge wires to the removable terminal. Dress the wires with a small service loop and tighten the strain relief. Mount unit utilizing the mounting holes at the 4 corners of the Transmitter box. Affix lid to Transmitter, noting the **alignment pin** [IMAGE 3].
- 4-2. Test the sensing edge for functionality.

### 5. TROUBLESHOOTING

If the Receiver does not react to the Transmitter, you can check the RF signal strength:

- 5-1. Press the **check button** on the Receiver for ~2 seconds [IMAGE 2]; 4 beeps will be heard. You then will hear a beep every 1-1/2 seconds during the **check** process. Wait about 30 seconds; if no other beeps occur, your system is functioning. 3 quick beeps indicates a communication error.
- 5-2. Activate the sensing edge and observe the **check LED**; 3-5 flashes is ideal. Less than 3 flashes means there is a weak signal.
- 5-3. To exit **check** function, press the **check button**, or system will time-out after 5 minutes. There will be a series of beeps heard upon exiting.

### 6. ERASING THE RECEIVER

If you need to replace a Transmitter or you have any other programming issues you may need to erase the Receiver.

- 6-1. To erase any Transmitters programmed into the Receiver, use a screwdriver to short the two pins next to the **DIP switch** marked **MR** [IMAGE 2].
- 6-2. While shorting the pins, press and hold the **program button** for several seconds; you will hear a series of 10 beeps following by a rapid chirping sound.
- 6-3. When the chirping stops, release the **program button**. Wait ~10 seconds and you will hear 2 beeps. The Receiver is now ready to be reprogrammed.

### 7. RECEIVER: SPECIFICATIONS & CONTROLS

**Power:** 12-24 VAC/DC nominal (11-30 V max); 100 mA max current draw. Power may be supplied from the operator or alternatively from an external supply.

**Dimensions:** 4.12"L x 3.65"W x 1.65"H

## 7. RECEIVER: SPECIFICATIONS & CONTROLS (cont.)

**Cable Connections:** Screw clamp type terminal blocks for 18-26 AWG wire

**Operator Wiring:** Screw clamp type terminal blocks for 18-26 AWG wire

**External Antenna:** F-connector coax extender for antenna

**Program Button:** Used to associate a Transmitter with the desired receiver channel

**Check Button:** Used to determine signal strength

### RX Indicator Lights:

- Check LED:
  1. After **check** button is pressed, blinks to indicate signal strength; 4 or 5 blinks is ideal
- R1 and R2 LEDs:
  1. Off when the associated edge is **learned** and has no faults
  2. On solid: No Transmitters **learned** or edge activated
- R3 LED: **On** when low battery relay is active
- A TEST LED: **On** in test mode. Not used.

### Connections:

- Power (2): Positive and ground, or AC
- Relay Output 1:
  1. CS1: Not used
  2. C1: E5
  3. BS1: E6
- Relay Output 2: Not used
- Relay Output 3 (2): Relay closes when low battery is detected
- A TEST (2): Not used

## 8. TRANSMITTER: SPECIFICATIONS & CONTROLS

**Transmitter Frequency:** 916 MHz, FSK modulation

**Mounting:** 4 corner screws (provided)

**Power Source:** Batteries: 2 AA, 3.6V lithium, 2 year life expectancy

**Dimensions:** 1.80"L x 4.78"W x 1.75"H

**Program Button:** Momentary push button is used to associate the Transmitter to the Receiver

### TX Indicator Lights:

- Green LED: Normally off
- Press **program button** for status

## 9. FCC COMPLIANCE

### Transmitter

**Model:** RB-TX10, RB-TX10B, RB-TX10C

**FCC ID:** U5Z-RB-TX10, U5Z-RB-TX10B, U5Z-RB-TX10C

### Receiver

**Model:** RB-D-RX10, RB-D-RX10C

**FCC ID:** U5Z-RB-D-RX10, U5Z-RB-D-RX10C

This device complies with Part 15 of the FCC rules. Operation is subject to the following two conditions:

1. This device may not cause harmful interference and
2. This device must accept any interference received, including interference that may cause undesired operation.

This equipment has been tested and found to comply with the limits for a Class B digital device, pursuant to Part 15 of the FCC Rules:

These limits are designed to provide reasonable protection against harmful interference in a residential installation. This equipment generates, uses and can radiate radio frequency energy and, if not installed and used in accordance with the instructions, may cause harmful interference to radio communications. However, there is no guarantee that interference will not occur in a particular installation. If this equipment does cause harmful interference to radio or television reception, which may be determined by turning the equipment off and on, the user is encouraged to try to correct the interference by one or more of the following measures:

1. Re-orient or relocate the receiver antenna
2. Increase the separation between the equipment and the receiver
3. Connect the equipment into an outlet on a circuit different from that to which the receiver is connected
4. Consult the dealer or an experienced radio/TV technician for help

Changes or modifications not expressly approved by the party responsible for compliance could void the user's authority to operate the equipment.

This device complies with FCC radiation exposure limits for an uncontrolled environment.

This device shall be installed and operated with a minimum distance of 0.8" between users or bystanders and the device.