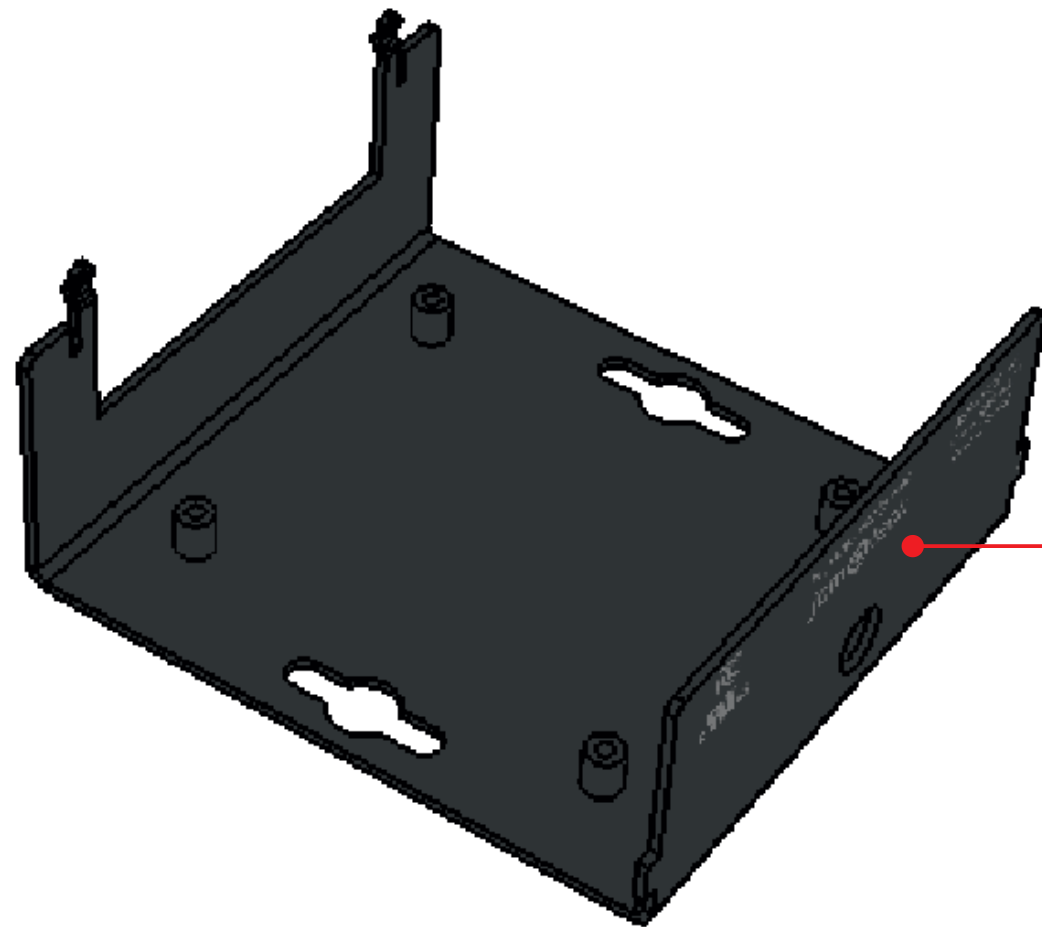
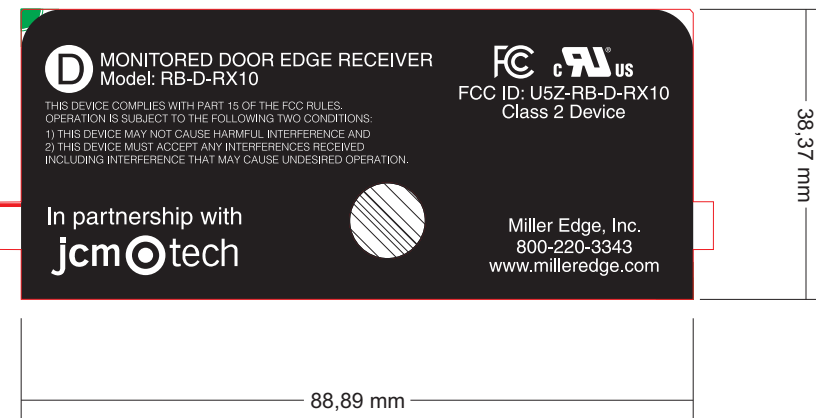


REV	ID	DATE	APPLIED CHANGES
02		06/07/2017	Fcc part 15 statement added



Detail



Label is visible and is located at the upper side of the device

COSTUMER			REVISED BY	DATE
JCM Tech			G.Reverter	21/10/2016
MARK TYPE	COLOR	PANTONE or RAL	MODIFIED BY	DATE
Serigrafia	Blanc		G.Reverter	06/07/2017
GENERAL TOLERANCES				

CONFIDENTIAL INFORMATION			
jcm@tech		RG10-9	
EQ. NAME			
RG10.6_RB-D-RX10-SERI-BOTTOM_MEI			
SHEET	PLOT NAME		REV
A3	Datasheet		02
Scale	VERSION		SHEET 1 OF 1