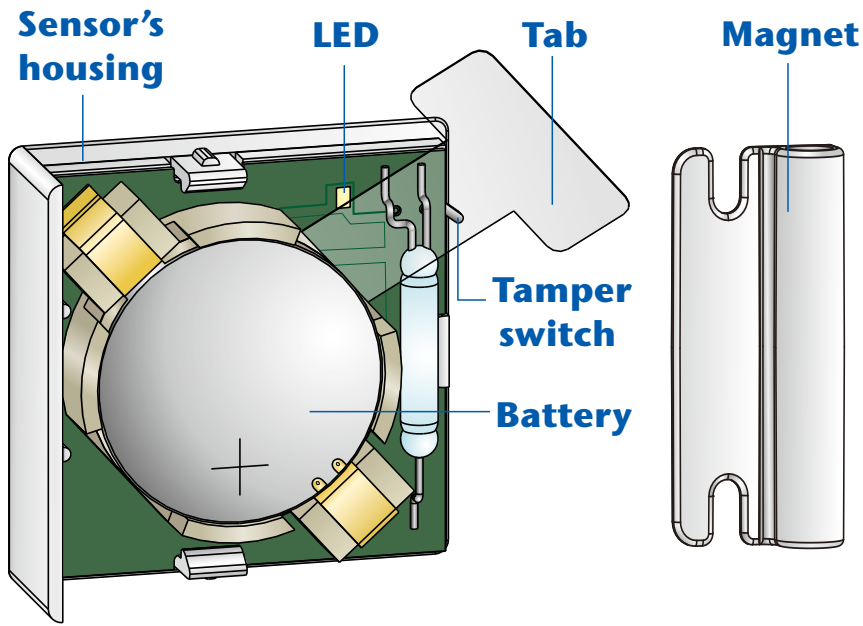


HT-DW1



Quick Install Guide / Manual

Hitron's HT-DW1 is a micro door / window sensor, uses a magnetic reed switch to detect when a door, window, cabinet, garage door or any other object is opened.

Key Features

- Unobtrusive Compact Design
- 3+ Year Coin Cell Battery Life
- Easy Installation with Tape or Screws
- Tamper Switch for Extra Security
- 100m Free Field, 60m+ Inside Range

Contents

- HT-DW1
- 1 CR-2032 Battery
- Screws and Tape (4 each)



Start using your HT-DW1

1. Activate Battery

Slide open the sensor's housing and pull the tab to activate it for pairing.

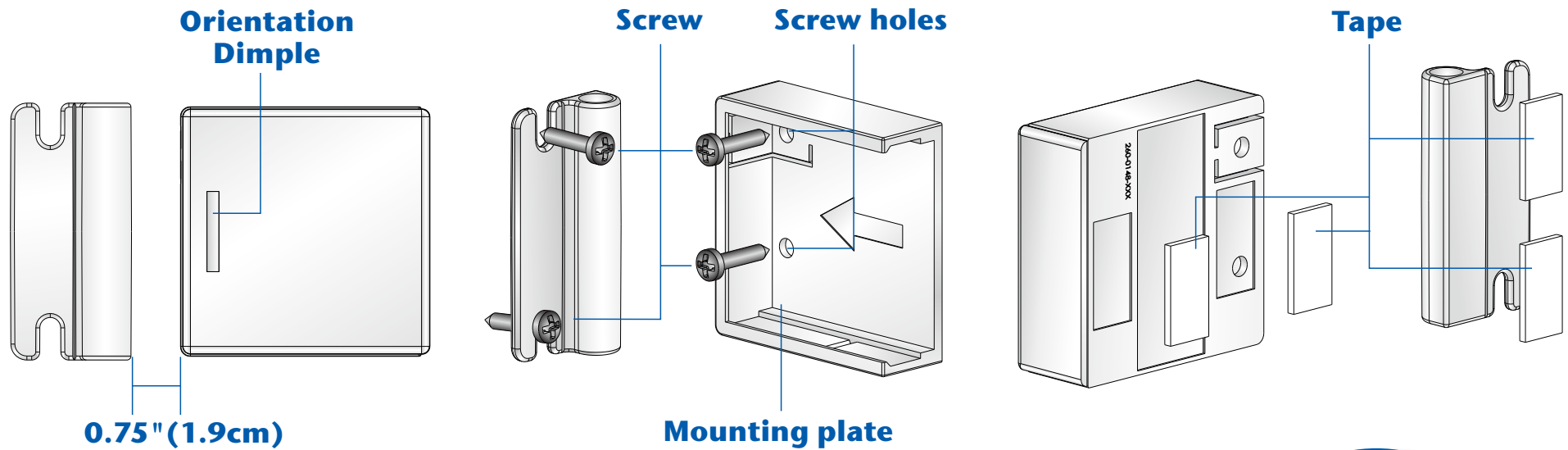
2. Join the Network

Follow the instructions on your iControl touchscreen to add a new HT-DW1. During the joining needs to be lower case, the LED on the HT-DW1 will blink while it's searching for the network.

More information about this process can be found at: <http://www.hitron-americas.com>

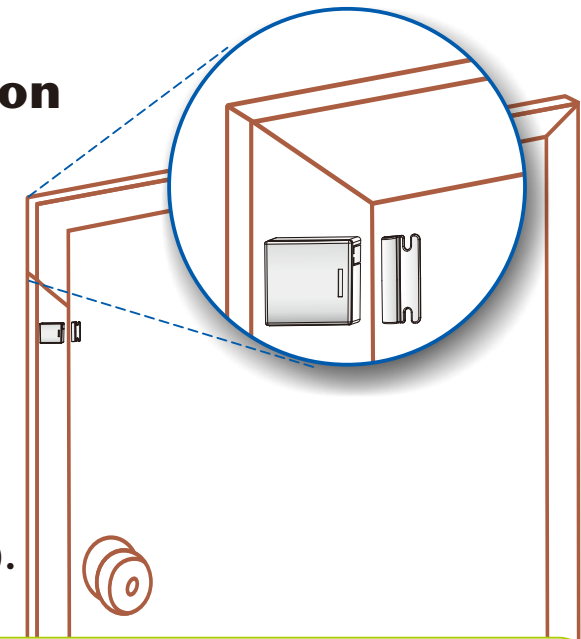
LED Indicators/ Troubleshooting

| Status/Action | Description |
|--------------------|--|
| HT-DW1 is ON | The LED will light ● (green) for 2 seconds when the battery is inserted. |
| Search for network | The LED will flash ● (green) 3 times each time. It will quit flashing when it finds a network. |
| Factory reset | Holding the tamper switch, inserting the battery, and releasing it while the LED is green (within 2 seconds of inserting the battery). |
| Forced rejoin | Pressing and releasing the tamper switch 5 times within 5 seconds. |



3. Install the sensor and magnet in a proper orientation

Test the Sensor from desired location before permanent installation. Position the sensor's mounting plate beside the door or window frame on the wall and the magnet on the door or window itself by using either double sided tape or screws. They can be a maximum of 0.75" (1.9 cm) apart. If aligned properly, you will be able to hear a 'click' when they approach. When the door/window is opened, contact is broken and the sensor sends a signal to activate the receiver(s).



4. Close sensor's housing

Once you have confirmed the Sensor is communicating, install it in its mounting plate on the door or window frame.



Where not to place
 (1) Metal can reduce transmission range
 (2) Damp or very humid area