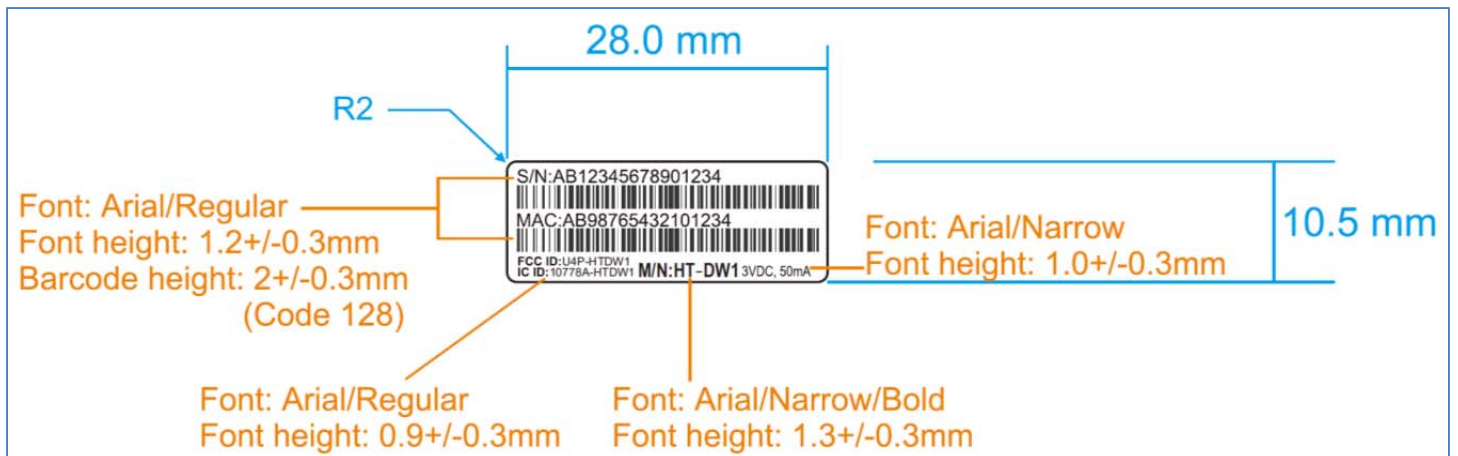




Photo of Label on Product
(IDs depicted are not final version.)



Magnified View of Label Drawing Detail
(Shows actual ID content.)

		RevNo	Revision note			Date	Signature Checked
<p>1. S/N:AB12345678901234</p> <p>此組數據為範例,僅供參考, 編碼原則請參照MPD而變動</p>							
<p>2. MAC:AB98765432101234</p> <p>此組數據為範例,僅供參考, 編碼原則請參照MPD而變動</p>							
<p>3. ABCDEFGH</p> <p>Model Name 此組數據為範例,僅供參考, 編碼原則請參照MPD而變動</p>							
<p>HITRON TECHNOLOGIES INC. HSINCHU SBIP SUBSIDIARY</p>		Project:	Part Name:	Part Number 0500090267H0	Description: Case labe, 28x10.5mm		
		Version 2A	Dwg No:	Material: 特多麗(白亮PET)	Coating: <input type="checkbox"/> PP <input type="checkbox"/> A <input type="checkbox"/> NISS <input type="checkbox"/> NO		
		Date: 2014.03.28	Designed by Eunice Wu	Checked by	Approve by-date		

Label Drawing
