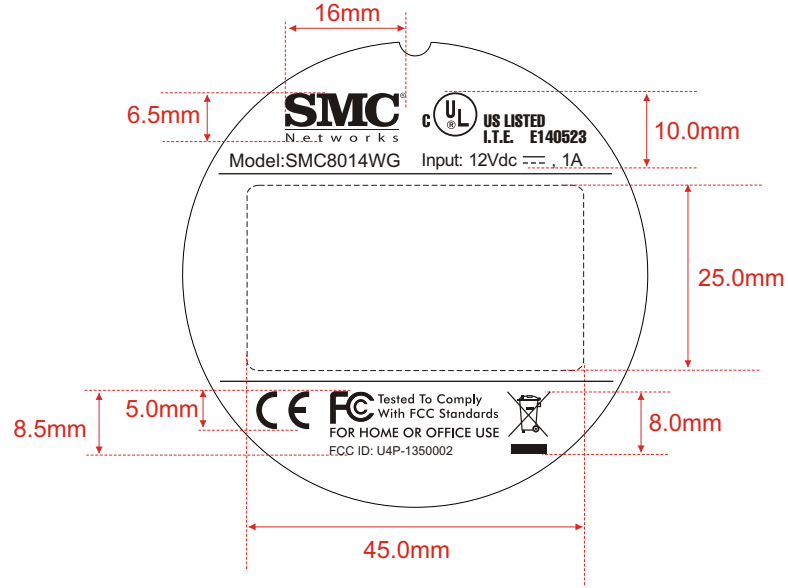
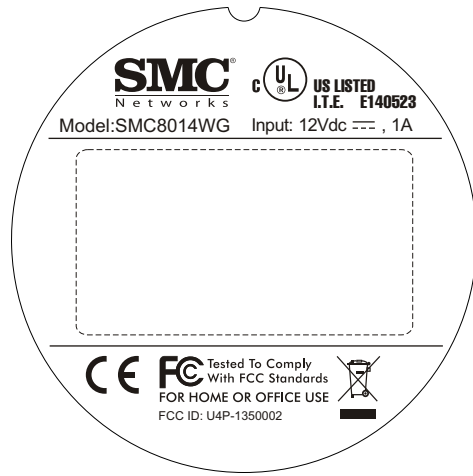


1	2	3	4	5	6		
RevNo	Revision note				Date	Signature	Checked

Scale: 1:1



*實際樣式，請參照樣品



HITRON TECHNOLOGIES INC.
HSINCHU SBIP SUBSIDIARY

Project:	Part Name: FCC Label	Part Number 8010400869N0	Description:
Version 1A	Dwg No:	Material: 50番 消銀龍	Coating: <input type="checkbox"/> PP <input type="checkbox"/> A <input type="checkbox"/> NISS <input type="checkbox"/> NO
Date: 2008/01/16	Designed by Daisy Wang	Checked by	Approve by-date