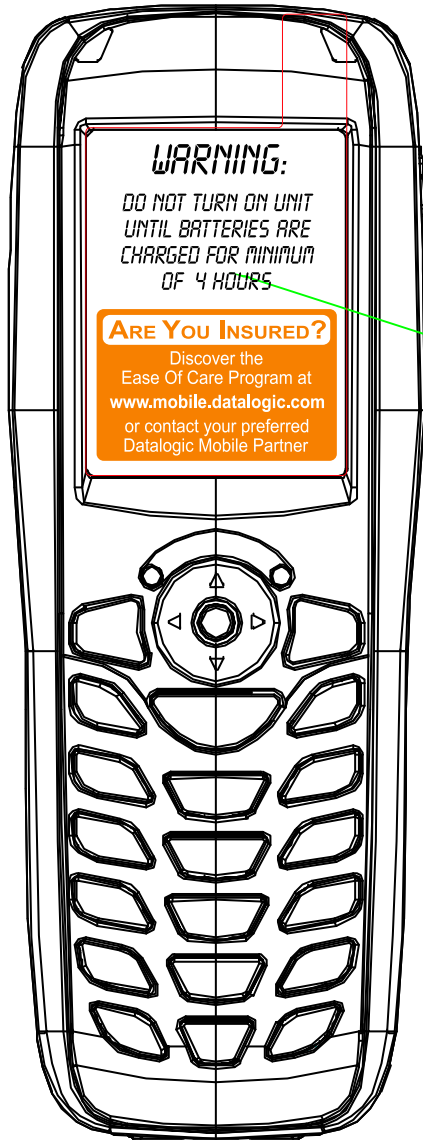
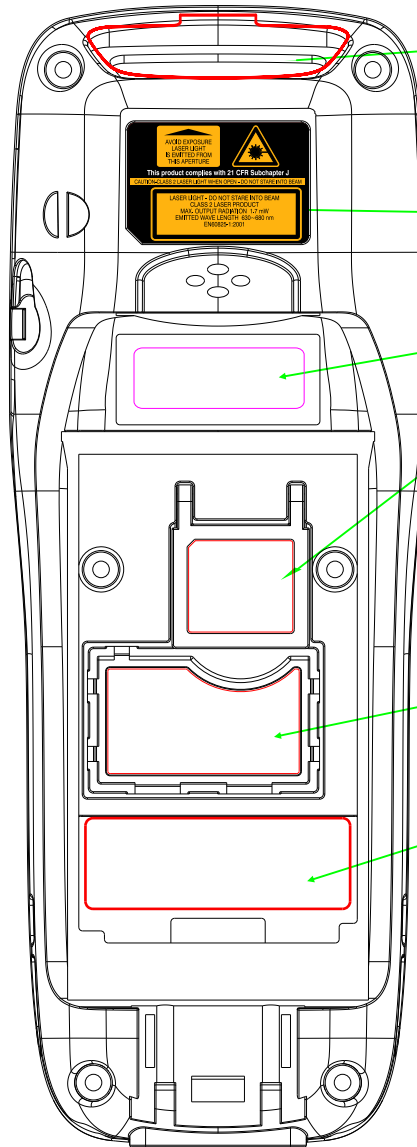


IT1200 LABELS LIST



1 Display Protect film



2 SCAN WINDOW 1D &2D FILM
34.3 x 15.5 mm



3 Laser Warning Label
24 x 16 mm

4 WinCE 5.0 label

5 FCC ID label
13.7 X 12.0 mm

6 certification label
25.3 X 13.8 mm

7 Model No. label
35 x 12 mm

| | | | |
|--|---|------------------------------|-----|
|  銀鐸科技股份有限公司 | | | |
| :SCALE | :UNIT | :MODEL IT1200 Labels List | |
| :FINISH | | :MATERIAL | |
| :DESIGN Vicki-lin | | :TITLE | |
| :CHK | | :N/P | |
| :D'APP | | :N/P | |
| 4A |  | SHEET 1 OF | REV |

| | |
|------|---|
| SIGN | |
| P | M |