

Wireless Charger Transmitter MP-A2 Coil

Part Number: B.1.09.L.0028



MP-A2 Coil Feature

- Magnetic Coil: antifreeze plate + coil
- Meet the Qi international standard
- Ultrathin 、 compact 、 high efficiency 、 low heat
- Length and gap of the outgoing line is customizability.

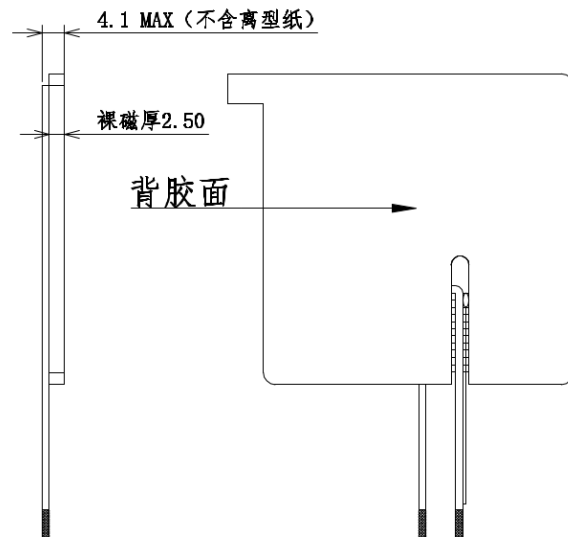
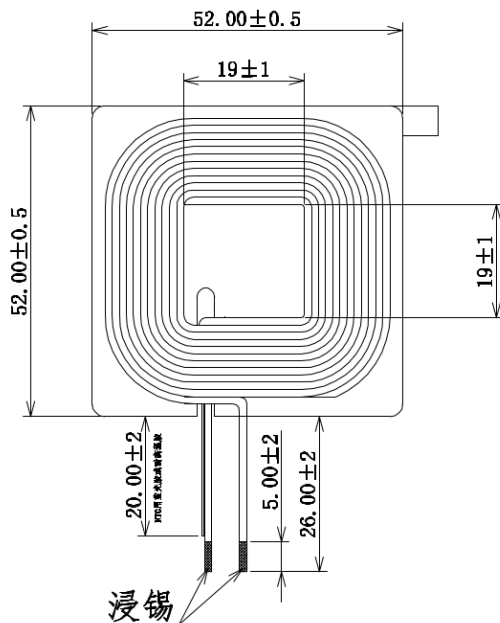
Application

- Wireless Charge

Electrical Specifications

Inductance(uH)	10uH+/-10%
ACR@100KHz/1V (mΩ)	80 max
DCR@100KHz/1V (mΩ)	60 max
Q	90 REF, 70 min

Mechanical dimensions



Datalogic S.r.l. Società con socio unico | Gruppo Datalogic | Direzione e Coordinamento Datalogic S.p.A.

Sede legale e amministrativa: via San Vitalino, 13 | 40012, Lippo di Calderara di Reno | Bologna | Italy

Stabilimento: via Lavino 265 | 40050, Monte San Pietro | Bologna | Italy

Tel. +39 051 3147011 | Fax. +39 051 3147288 | www.datalogic.com