

TECHNICAL MANUAL INDEX

Description :	902-928MHz Helical Antenna - Vespucci		
Code:	DESCRIPTION :	GEL:	ECO:
663316020	902-928 MHZ HELICAL ANTENNA	GEL-7756	12378
Max. gain:			
1 dBi			

Drawing type	Document Code	ECO
Schematic	17331603	12378
Assembly	37331603	12378
Assembly Instructions	-	-

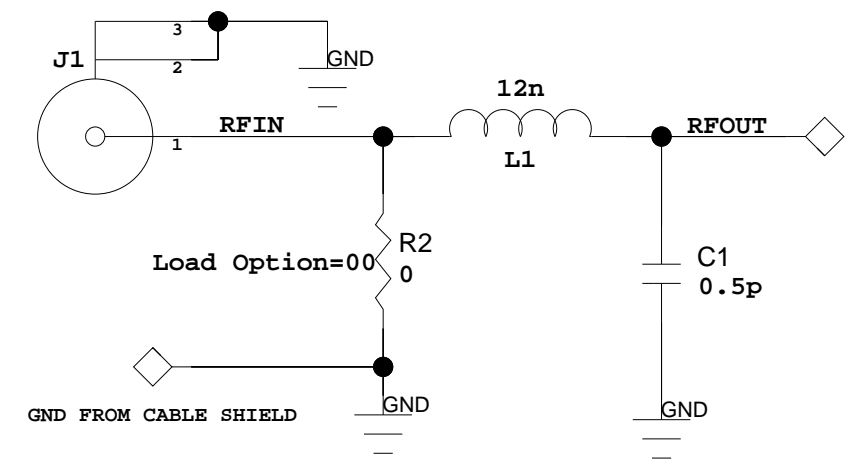
DOC. CODE	MOD. Nr.	MOD. DESCRIPTION	UPDATED ON	BY
DRAFTSMAN	B Lindsey	DATE 1/2014	TITLE :	
DESIGNER	B Lindsey	DATE 1/2014	PCBA GEL-7756 902-928MHz Antenna Helical	
CHECKER	S Chin	DATE 1/2014	DOCUMENT CODE :	Rev.
APPROVED	S Chin	DATE 1/2014	47331603	X1



8 7 6 5 4 3 2 1

- NOTES: UNLESS OTHERWISE SPECIFIED
1. ALL RESISTORS ARE 1/16W, 5%. ALL 1% ARE 1/16W. VALUES ARE IN OHMS.
 2. ALL CAPACITORS ARE 50V, 10%. VALUES ARE IN MICROFARADS.
 3. LOAD THESE COMPONENTS ONLY WHEN LISTED ON BILL OF MATERIALS.

REV	BRIEF DESCRIPTION OF CHANGE	ECO	DATE	CHKD	ENGR
X1	RELEASE FOR PROTO BUILD	12378	1/14		SC



DATALOGIC™ DATALOGIC ADC INC.
959 TERRY STREET
EUGENE, OREGON 97402-9120

THE INFORMATION CONTAINED HEREIN IS THE PROPRIETARY AND CONFIDENTIAL DATA OF DATALOGIC ADC INC. AND IS NOT TO BE DISCLOSED IN WHOLE OR IN PART, EXCEPT AS AUTHORIZED IN WRITING BY DATALOGIC ADC INC.
Copyright © Datalogic ADC, Inc., 2014

NAME	DATE	TOLERANCE, UNLESS OTHERWISE SPECIFIED: .X + .XXX + .XX + mm: +	ANGLES: + SURF. FIN: ✓
DFTS: B GOTA	09/2012		
CHK: S CHIN	09/2012		
ENG: S CHIN	09/2012		
MFG:			

MODEL: VBSFUCCI SCHEMATIC

902-928MHz HELICAL ANTENNA

SCALE	SIZE	DRAWING NUMBER	SHEET	REVISION
	D	17331603	1 OF 1	X1

DO NOT SCALE DRAWING

ALL DIMENSIONS INCLUDE APPLIED FINISH

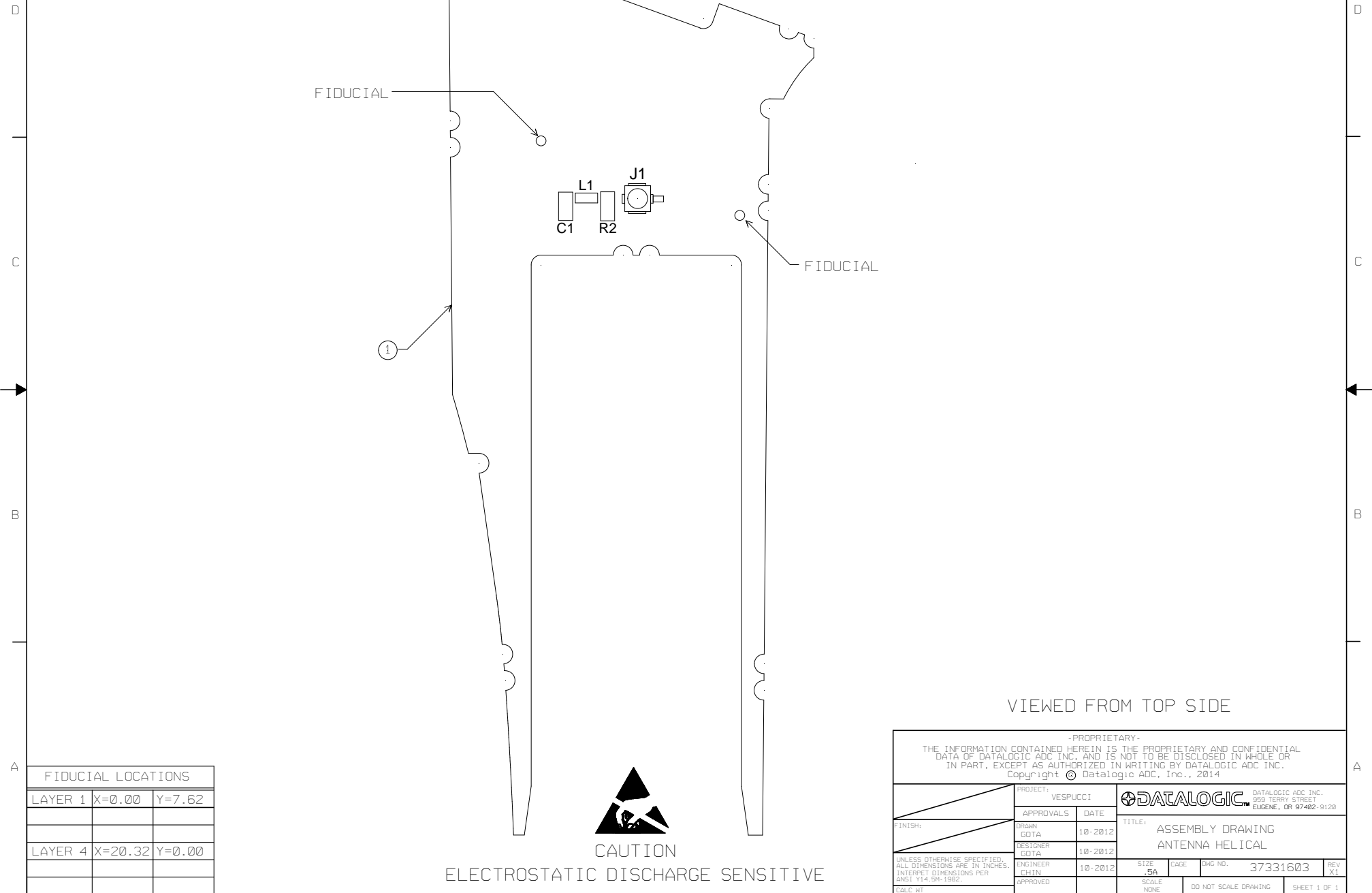
NA1
SOLDER_0M

8 7 6 5 4 3 2 1

NOTES: UNLESS OTHERWISE SPECIFIED

1. ASSEMBLE PER IPC-A-610.

REVISIONS				
REV	DESCRIPTION	ECO	DATE	ENGR
X1	RELEASE FOR PROTO BUILD	12378	01/14	SC



VIEWED FROM TOP SIDE

FIDUCIAL LOCATIONS		
LAYER 1	X=0.00	Y=7.62
LAYER 4	X=20.32	Y=0.00

- PROPRIETARY -					
THE INFORMATION CONTAINED HEREIN IS THE PROPRIETARY AND CONFIDENTIAL DATA OF DATALOGIC ADC INC. AND IS NOT TO BE DISCLOSED IN WHOLE OR IN PART, EXCEPT AS AUTHORIZED IN WRITING BY DATALOGIC ADC INC. Copyright © Datalogic ADC, Inc., 2014					
PROJECT:	VESPUCCI		 <small>DATALOGIC ADC INC. 959 TERRY STREET EUGENE, OR 97402-9120</small>		
	APPROVALS	DATE			
FINISH:	DRAWN	10-2012	TITLE: ASSEMBLY DRAWING ANTENNA HELICAL		
	GOTTA	10-2012			
UNLESS OTHERWISE SPECIFIED, ALL DIMENSIONS ARE IN INCHES. INTERPRET DIMENSIONS PER ANSI Y14.5M-1982.	DESIGNER	10-2012	SIZE	CAGE	DWG NO.
	GOTTA	10-2012	.5A		37331603
ENGINEER	10-2012	SCALE	DO NOT SCALE DRAWING		
CHIN		NONE	SHEET 1 OF 1		
APPROVED					

CAUTION
 ELECTROSTATIC DISCHARGE SENSITIVE