



Excellence in Compliance Testing

---

## **Certification Exhibit**

**FCC ID: U4A-SCYPROX3**

**IC: 6982A-SCYPROX3**

**FCC Rule Part: 15.209**

**IC Radio Standards Specification: RSS-210**

**ACS Report Number: 10-0443.W06.11.A**

Manufacturer: Assa Abloy

Model: S1-PA/PK, S2-PA/PK,

TCIP1-M802/M803, TCWI1-M802/M803

## **Manual(s)**



Installation Instructions  
For ML20800 TCWI1 Series  
Mortise Lockset

/Access 800™

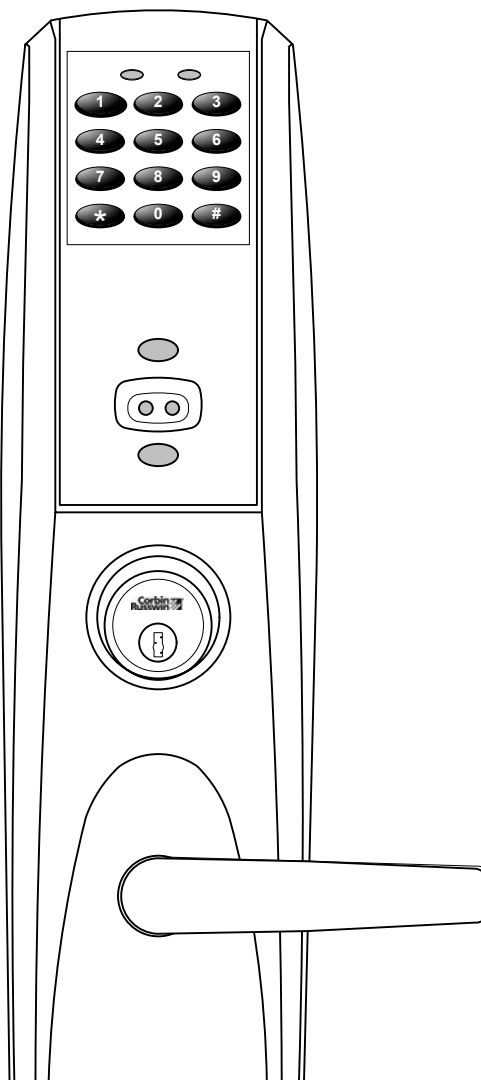
FM 335  
(Rev. 01/2011)

## Attention Installer

Please read these instructions carefully to prevent missing important steps.

**Please Note:** Improper installation may result in damage to the lock and void the factory warranty.

**Important:** The accuracy of the door preparation is critical for proper functioning and security of this lock. Misalignment can cause premature wear and a lessening of security.



For installation assistance contact Corbin Russwin Inc., at 1-800-810-WIRE (9473)

# Table of Contents

	Page
<b>1) Warning</b> .....	<b>1</b>
<b>2) General Descriptions/Specifications/Features</b> .....	<b>2</b>
<b>3) ML20800 Series Product Illustration</b> .....	<b>3</b>
<b>4) Installation Instructions</b> .....	<b>4-10</b>
<b>5) Operational Check</b> .....	<b>11</b>
<b>6) Hard Wiring Instructions</b> .....	<b>12-13</b>
6.1) Important .....	<b>12</b>
6.2) Installation Notes .....	<b>12</b>
6.3) Electrolynx™ Connector System Notes .....	<b>12</b>
6.4) Hard Powered Connections .....	<b>13</b>

## 1) Warning

Changes or modifications to this unit not expressly approved by the party responsible for compliance could void the user's authority to operate the equipment.

This device complies with Part 15 of the FCC Rules. Operation is subject to the following two conditions: (1) this device may not cause harmful interference, and (2) this device must accept any interference received, including interference that may cause undesired operation.

Note: This equipment has been tested and found to comply with the limits for a Class B digital device, pursuant to Part 15 of the FCC Rules. These limits are designed to provide reasonable protection against harmful interference in a residential installation. This equipment generates, uses and can radiate radio frequency energy and if not installed and used in accordance with the instructions, may cause harmful interference to radio communications. However, there is no guarantee that the interference will not occur in a particular installation. If this equipment does cause harmful interference to radio or television reception, which can be determined by turning the equipment off and on, the user is encouraged to try to correct the interference by one or more of the following measures:

- Reorient or relocate the receiving antenna
- Increase the separation between the equipment and receiver
- Connect the equipment into an outlet on a circuit different from that to which the receiver is connected
- Consult the dealer or an experienced TV technician for help

This Class B digital apparatus complies with Canadian ICES-003.

**▲ Warning: To comply with “Fire Listed” doors, only alkaline batteries must be used.**

## 2) General Descriptions/ Specifications/ Features

### General Description

The Corbin Russwin Access 800 TCWI1 T [ ;ã ^ Lock is designed for applications requiring wireless access control. The TCWI1 is a self-contained microprocessor-controlled access control product with non-volatile memory. It is able to utilize the existing wireless LAN 802.11 b/g in order to communicate with the access control system. The TCWI1 lock will hold a total of 2000 different user codes. This product is operated by six (6) "AA" alkaline batteries or by Corbin Russwin 784 9VDC power supply. Corbin Russwin T [ ;ã ^ locks are designed with quality components to provide high security, performance and durability.

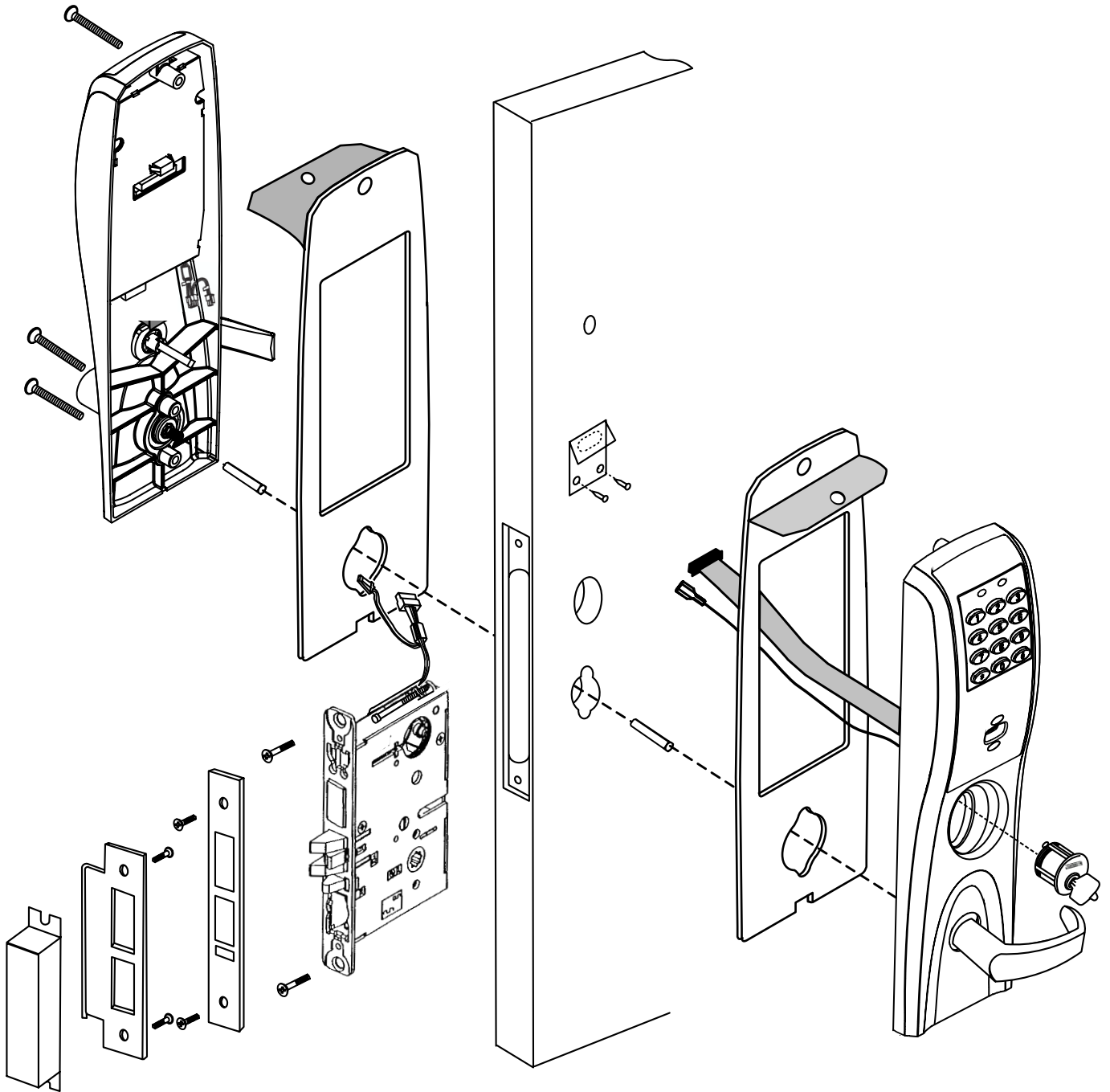
### Specifications

- Latch
- 2000 Users per lock (more possible with software)
- 10,000 Event audit trail
- Centralized lock management
- Real Time Door Status Monitoring (Only applies when unit is hard powered)
- Easy Installation
- HID Prox Compatible (125kHz 26-39 Bit)

### Features

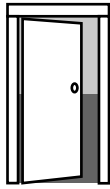
- WiFi 802.11 b/g enabled
- 2000 Users per lock (more possible with software)
- 10,000 Event audit trail
- Centralized lock management
- Real Time Door Status Monitoring (Only applies when unit is hard powered)
- Easy Installation
- HID Prox Compatible (125kHz 26-39 Bit)

### 3) ML20800 Series Product Illustration

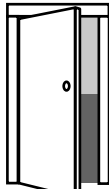


# 4) Installation Instructions

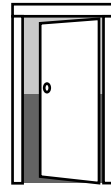
**1** Verify Hand and Bevel of door. Illustrations shown are as viewed from the outside or secure side of opening.



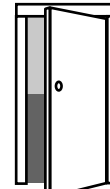
Left Hand  
Hinges Left.  
Open Inward.  
"LH"



Left Hand  
Reverse Bevel  
Hinges Left.  
Open Outward  
"LHR"

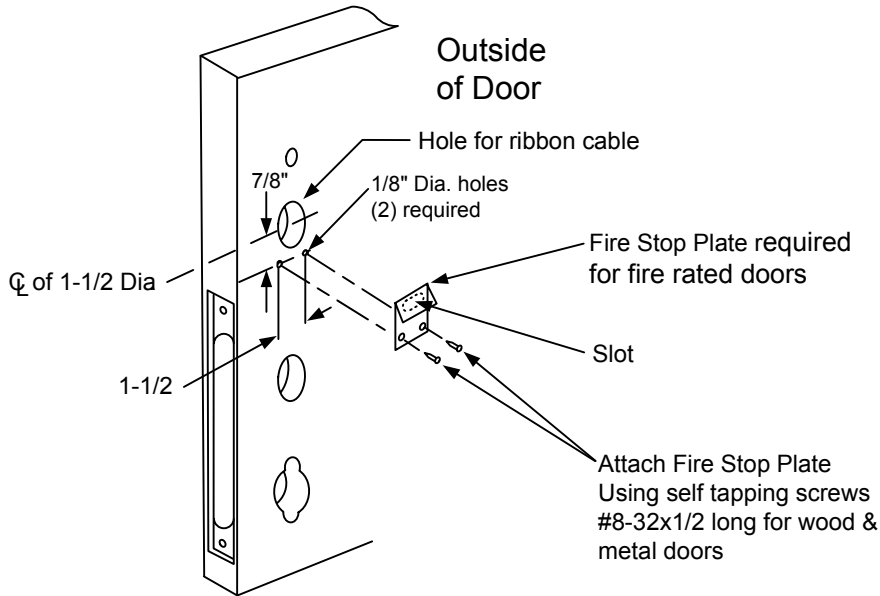


Right Hand  
Hinges Right.  
Open Inward.  
"RH"



Right Hand  
Reverse Bevel  
Hinges Right.  
Open Outward  
"RHR"

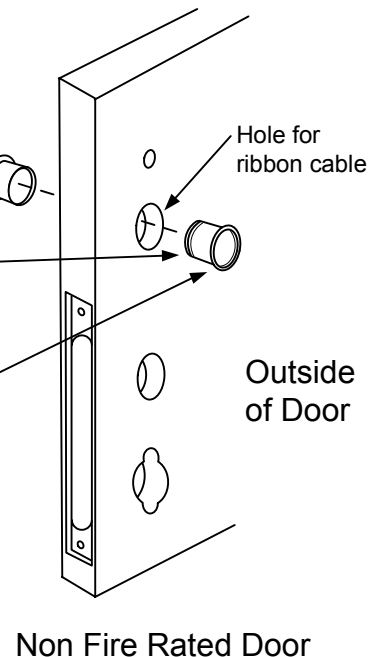
**2** Prep door according to supplied Corbin Russwin Inc. door marker.



The Optional Conduit is available for Non Fire rated doors to provide weather protection for exterior door applications. It is included in the M99 Weatherseal Gasketing Kit when ordered with the device. If ordered separately, order part number 794F929.

Non Fire Rated Exterior Doors install weather conduit. (Hollow Doors Only)

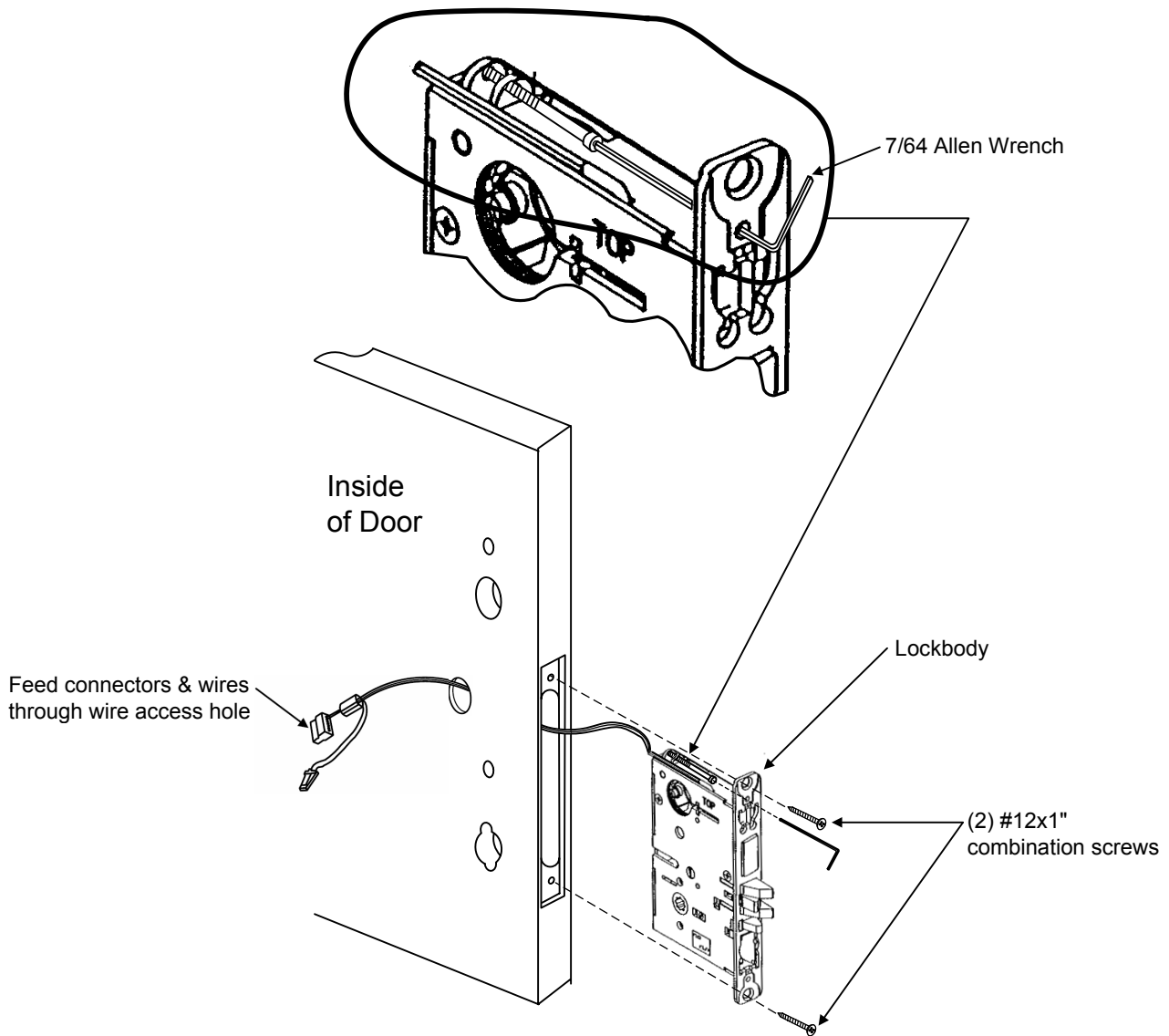
Install conduit half with recessed panel "Not For Use On Fire Door" visible from outside of door.



# Installation Instructions

## 3 Lock Assembly Instructions

Align bevel accordingly. Engage 7/64 Allen wrench on to cap screw required for step 2 page 6. Feed connector and wires through 1 (25) dia. wire access hole. Insert lockbody into mortised cutout in door and hold loosely in place with (2) #12x1" lockbody screws.

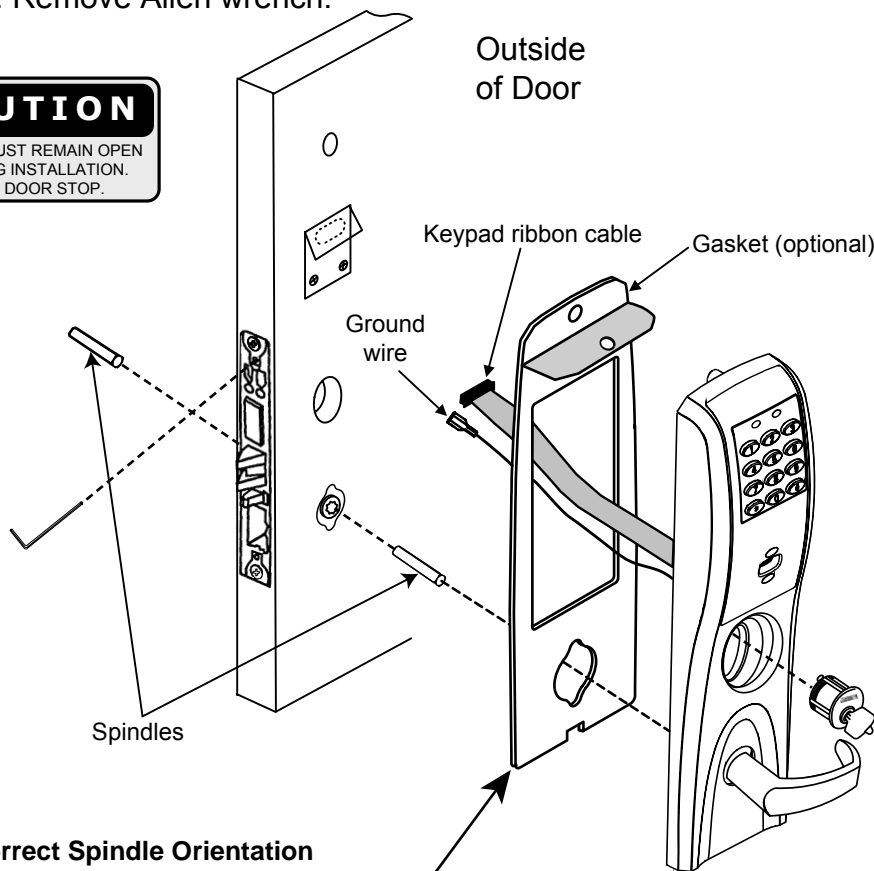


# Installation Instructions

## 4 Installation of Outside Escutcheon

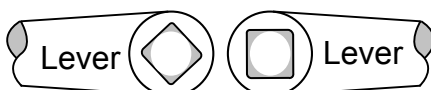
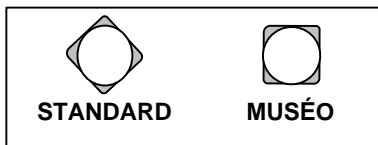
1. For exterior applications, an optional M99 Weatherseal Gasketing Kit can be ordered when a device is ordered. this kit includes gaskets and a conduit. When ordering the kit separately, order part number 794F929. The gaskets may be used as a seal between the escutcheon and the door surfaces.
- 2A. For fire rated doors feed ribbon cable connector and ground wire from outside escutcheon through the fire stop plate.
- 2B. For non-fire rated doors, feed ribbon cable connector and ground wire from outside escutcheon through weather seal gasket (if used), then conduit sleeve in door (not shown).
3. With outside lever horizontal, insert mounting posts into the door. Make certain the lever spindle is properly engaged in lock. (see diagram and Note A. below) Screw cylinder into mortise lockbody make certain the cylinder orientation is in the correct position (see diagram below) . Using the 7/64 Allen wrench provided, hand tighten (5-10 in. lbs.) the cap screw to prevent unscrewing of the cylinder. Turn the key to make certain that the locking mechanism (latch, deadbolt, key) functions correctly. Tighten (2) #12 x 1" lockbody screws. Remove Allen wrench.

**CAUTION**  
DOOR MUST REMAIN OPEN  
DURING INSTALLATION.  
USE DOOR STOP.



**NOTE A.**  
For MUSÉO Lever collections ONLY. Rotate adapter bushing as needed to insure horizontal lever position and maximum thread engaging lever - adapter bushing.

### Use Correct Spindle Orientation



### GASKET APPLICATION:

Peel off the adhesive protective paper from gasket. Feed Trim assembly motor harness through gasket opening as shown and firmly press gasket to escutcheon, aligning edge of gasket with the edge of the escutcheon.

NOTE: Key and cylinder must be rotated as shown



Correct



Incorrect

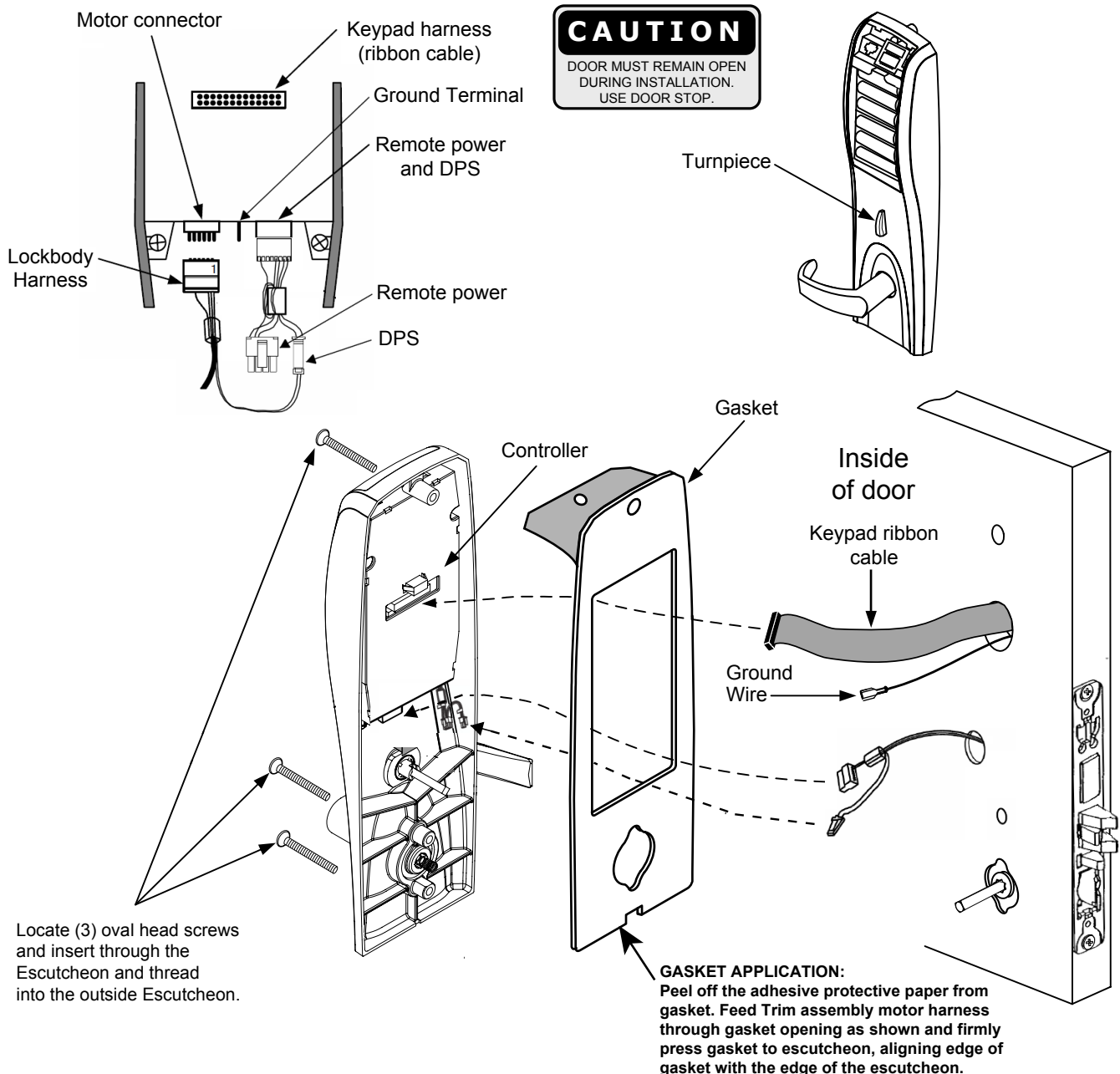


# Installation Instructions

## 5 Installation of Inside Escutcheon

NOTE: Connectors go on only one way. Do not offset connector and be sure they are completely seated.

1. Remove black battery cover from the eschutcheon with High Security T20 Trox bit provided.
2. Connect Ground wire to Ground terminal, Keypad ribbon cable connector to controller, lockbody harness to motor connector, DPS conector on lockbody harness to remote power and DPS harness, and connect remote power if applicable.
3. Align turnpiece to the vertical position.
4. Push excess keypad ribbon cable into the ribbon cable hole.



## Installation Instructions

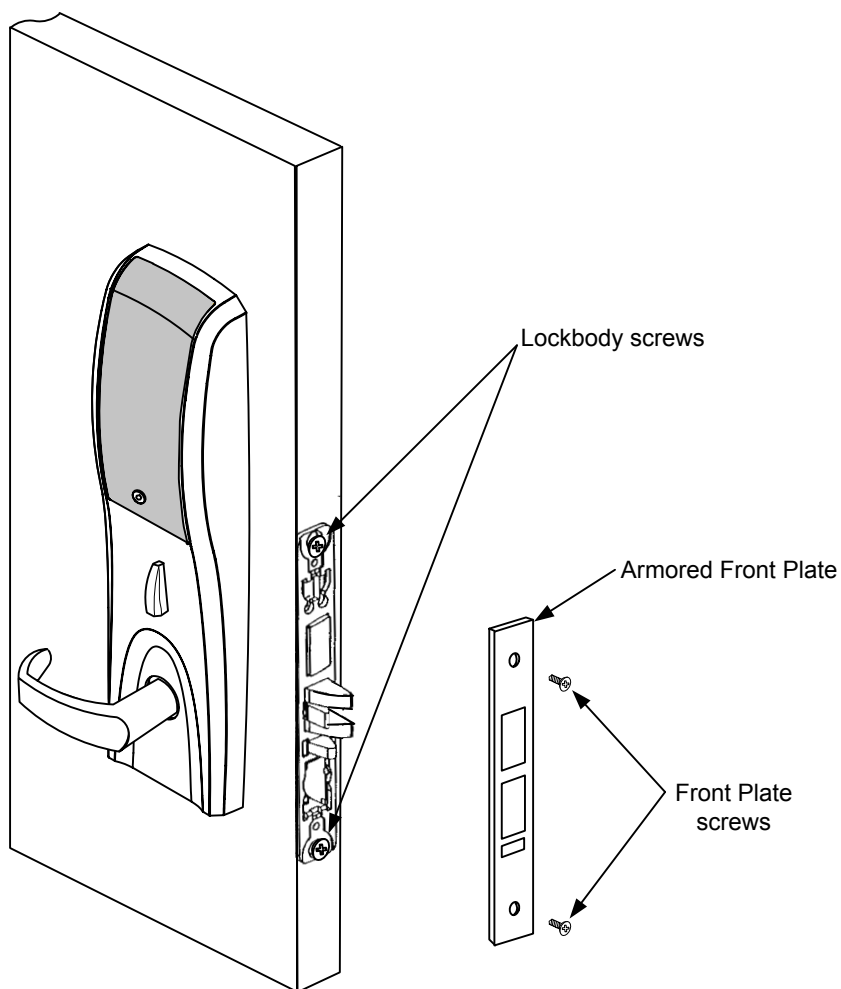
### 5 Installation of Inside Escutcheon (continued)

1. Turn inside lever to the horizontal position and rotate the turnpiece to the vertical position. Slide onto spindle halfway. With inside escutcheon resting on spindle, be certain that all keypad ribbon cable will remain inside ribbon cable hole, and that ground wire will not get pinched once escutcheon is mounted. Escutcheon will not fit flush on door otherwise.
2. Insert 3 #10-24 screws through inside escutcheon and thread loosely into outside escutcheon. Check operation of both inside and outside levers and make sure the turnpiece and key still operate the latch and deadbolt correctly. If lock function is satisfactory, fully tighten the bottom two screws. Check operation of both levers again. If levers move freely, tighten top screw. If levers do not move freely, loosen bottom screws and realign the escutcheons until proper operation is obtained.

# Installation Instructions

## 6 Installation of Armored Front Plate

1. Install armored front plate using two #8-32 x 1/4" screws provided.

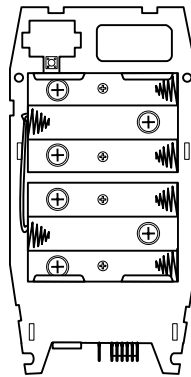


# Installation Instructions

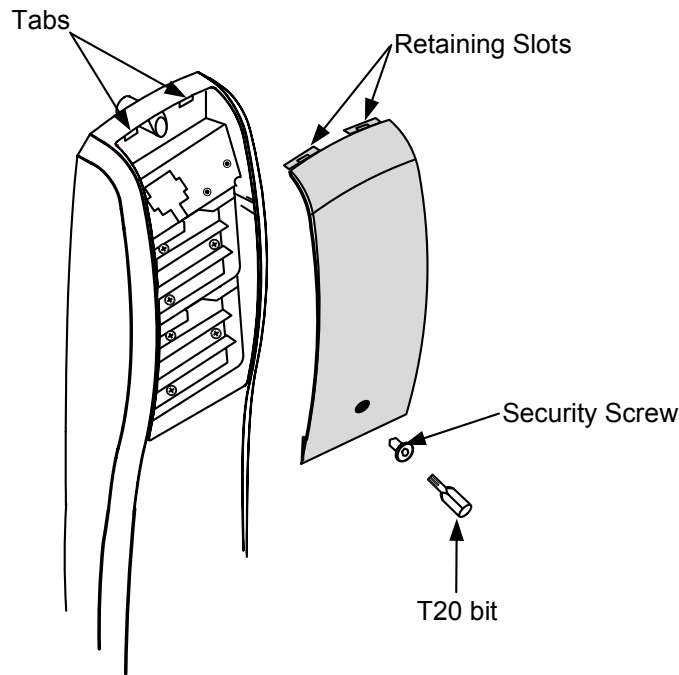
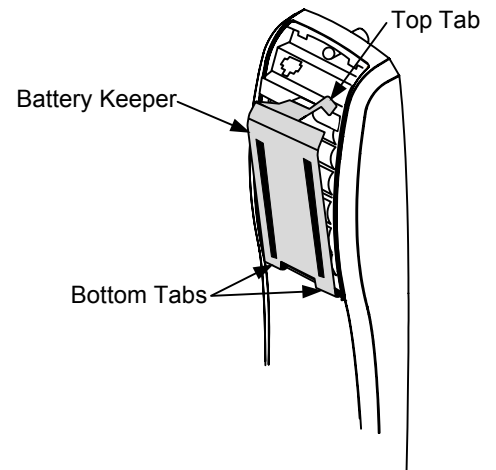
7

## Battery Installation

1. Remove battery keeper by lifting top tab and pulling away from the unit.
2. Install (6) AA Batteries into controller compartment being careful to align +/- polarity properly.
3. Install Battery Keeper by first inserting bottom tabs in bottom slots of controller. Lift the top tab over batteries and snap into position.
4. Attach battery cover to inside controller escutcheon making sure to line up tabs with retaining slots in battery cover. Secure with security screw using security T20 bit.



Battery Polarity





## 6) ML20800 Hard Wiring Instructions

### 6.1) Important

1. Caution: disconnect all input power before beginning installation to prevent electrical shock and equipment damage.
2. Installer must be a trained, experienced service person.
3. All wiring must comply with applicable local electrical codes, ordinances and regulations.

### 6.2) Installation Notes

1. With new applications, an ElectroLynx™ door harness with 8 and 4 pin connectors will be pre-installed inside door by ASSA ABLOY door manufacturer when specified during ordering process.
2. Wiring to pigtail harness is per facility wiring requirement. ElectroLynx™ connector terminations and wire colors all match.
3. If door does not have an ElectroLynx™ type door harness, cut connectors off product and hard wire, or consult factory for appropriate mating harness.

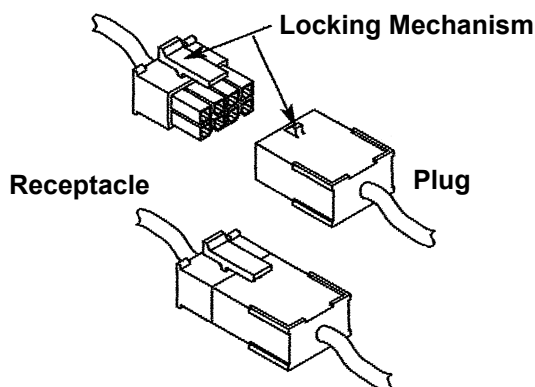
### 6.3) ElectroLynx™ Connector System Notes:

The system is designed to be installation friendly with pluggable connectors from the electric hinge through the door to the rail. The only wiring required is to the loose wires on the pigtail harness assembly on the frame side of the electric hinge.

#### IMPORTANT:

The plug and receptacle connectors are designed to mate and lock together as shown in the figure. Plug the connectors into each other with the locking mechanism aligned as indicated.

Do NOT Force connectors on any other way.

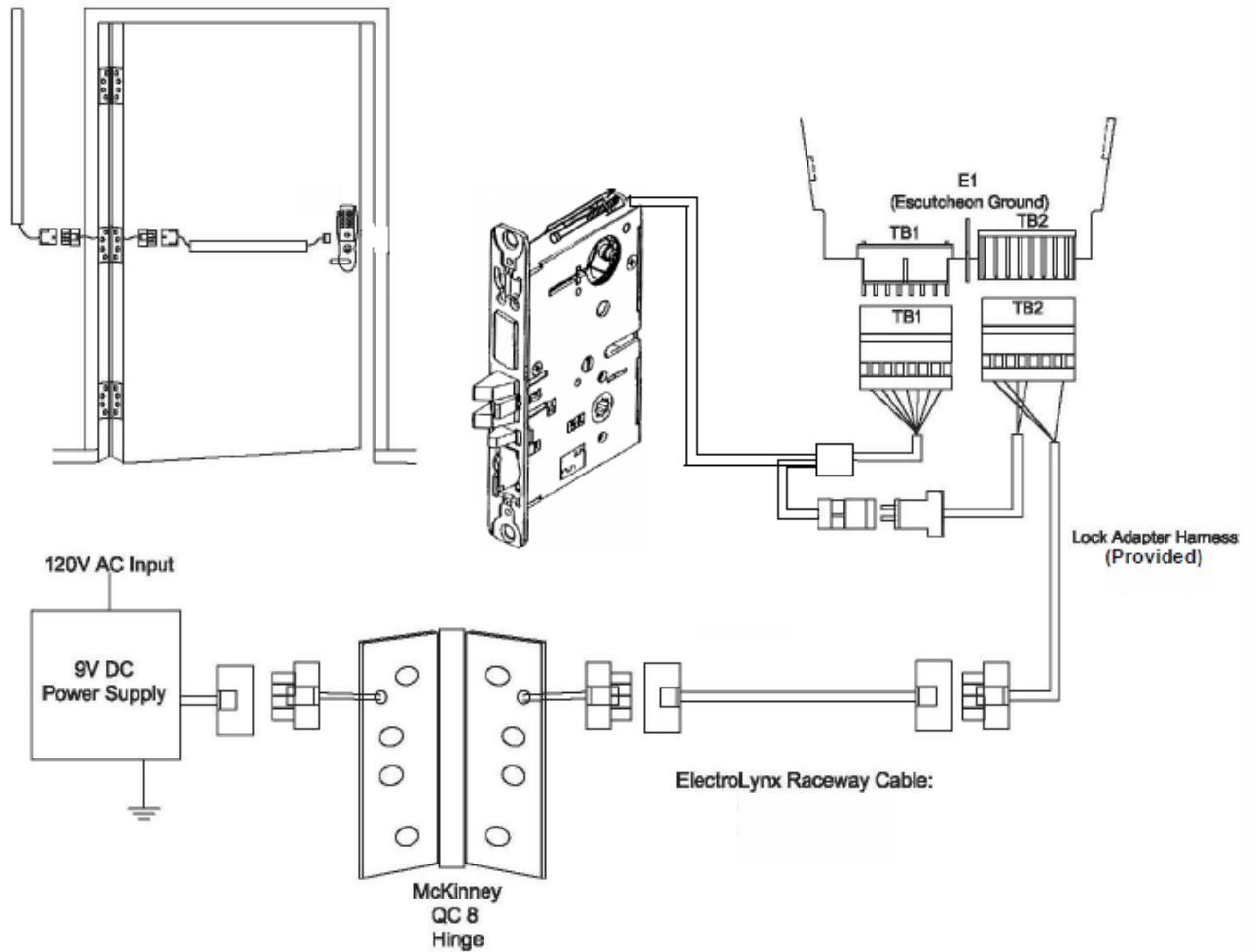


As part of their promise to provide innovative, fast and effective, and higher security solutions to their customers, ASSA ABLOY Group companies offer ElectroLynx™, a universal quick-connect system that simplifies the electrification of the door opening.

ElectroLynx™ is a registered trademark of ASSA ABLOY North America, Inc.

## 6) ML20800 Hard Wiring Instructions

### 6.4) Hard Powered Connections



**END OF INSTALLATION INSTRUCTIONS**