



Excellence in Compliance Testing

Certification Exhibit

**FCC ID: U4A-SCYICLS0
IC: 6982A-SCYICLS0**

**FCC Rule Part: 15.225
IC Radio Standards Specification: RSS-210**

ACS Report Number: 11-0125.W06.11.A

Manufacturer: Assa Abloy, Inc.
Models: TCWI1-M812/M813, TCIP1-M812/M813

Manual



Installation Instructions
For ML20800 TCWI1/TCIP1 Series
Mortise Lockset

/Access 800™

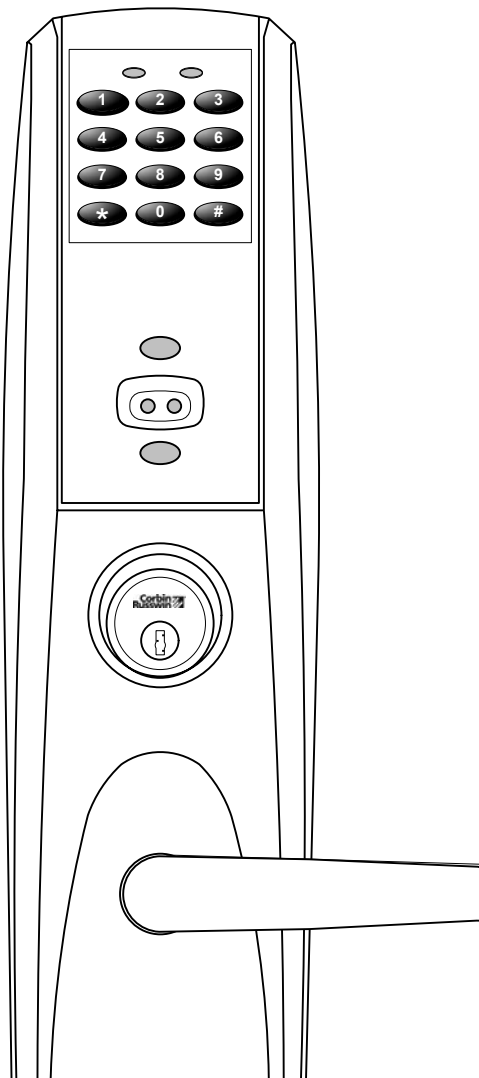
FM 335
(Rev. 01/2011)

Attention Installer

Please read these instructions carefully to prevent missing important steps.

Please Note: Improper installation may result in damage to the lock and void the factory warranty.

Important: The accuracy of the door preparation is critical for proper functioning and security of this lock. Misalignment can cause premature wear and a lessening of security.



For installation assistance contact Corbin Russwin Inc., at 1-800-810-WIRE (9473)

Table of Contents

1) Warning.....	1
2) General Description.....	2
3) Specifications/ Features.....	2
4) Product Illustration.....	3
5) Installation Instructions.....	4-10
6) Wiring Diagrams.....	11-17
7) Mechanical Operation Check	18
8) Electrical Operation Check.....	19

1) Warning

Warning: Changes or modifications to this unit not expressly approved by ASSA ABLOY Inc. could void the user's authority to operate the equipment

TCWI1 - WiFi

NOTE: This equipment has been tested and found to comply with the limits for a Class B digital device, pursuant to Part 15 of the FCC Rules. These limits are designed to provide reasonable protection against harmful interference in a residential installation. This equipment generates, uses, and can radiate radio frequency energy and, if not installed and used in accordance with the instructions, may cause harmful interference to radio communications. However, there is no guarantee that interference will not occur in a particular installation. If this equipment does cause harmful interference to radio or television reception, which can be determined by turning the equipment off and on, the user is encouraged to try to correct the interference by one or more of the following measures:

- Reorient or relocate the receiving antenna.
- Increase the separation between the equipment and receiver.
- Connect the equipment into an outlet on a circuit different from that to which the receiver is connected.
- Consult the dealer or an experienced radio/TV technician for help.

This equipment complies with FCC radiation exposure limits set forth for an uncontrolled environment. This equipment should be installed and operated with minimum distance 20cm between the radiator and your body. This transmitter must not be co-located or operating in conjunction with any other antenna or transmitter.

Under Industry Canada regulations, this radio transmitter may only operate using an antenna of a type and maximum (or lesser) gain approved for the transmitter by Industry Canada. To reduce potential radio interference to other users, the antenna type and its gain should be so chosen that the equivalent isotropically radiated power (e.i.r.p.) is not more than that necessary for successful communication.

This device complies with Industry Canada licence-exempt RSS standard(s). Operation is subject to the following two conditions: (1) this device may not cause interference, and (2) this device must accept any interference, including interference that may cause undesired operation of the device.

TCIP1 - POE

NOTE: This equipment has been tested and found to comply with the limits for a Class A digital device, pursuant to part 15 of the FCC rules. These limits are designed to provide reasonable protection against harmful interference when the equipment is operated in a commercial environment. This equipment generates, uses, and can radiate radio frequency energy and, if not installed and used in accordance with the instruction manual, may cause harmful interference to radio communications. Operation of this equipment in a residential area is likely to cause harmful interference in which case the user will be required to correct the interference at his own expense.

Under Industry Canada regulations, this radio transmitter may only operate using an antenna of a type and maximum (or lesser) gain approved for the transmitter by Industry Canada. To reduce potential radio interference to other users, the antenna type and its gain should be so chosen that the equivalent isotropically radiated power (e.i.r.p.) is not more than that necessary for successful communication.

This device complies with Industry Canada licence-exempt RSS standard(s). Operation is subject to the following two conditions: (1) this device may not cause interference, and (2) this device must accept any interference, including interference that may cause undesired operation of the device.

2) General Description

The Corbin Russwin Access 800 Series mortise locks are available in WiFi (WI1) and PoE (IP1) configurations. When coupled with third party software the WI1 and IP1 offer a complete integrated access control system. The Access 800 may be used for both indoor and outdoor applications (weather gaskets supplied).

3) Specifications/ Features

Hardware Specifications

- Latch – Stainless Steel (Easily field reversible without disassembling lock body)
- Deadbolt – Stainless Steel
- Door Thickness – 1-3/4" Standard; Consult factory for other door thicknesses
- Case – 12 gauge heavy duty wrought steel
- Outside lever controlled by 125kHz Prox reader, 13.56MHz iCLASS reader, keypad, and/or mechanical key
- Inside lever retracts latch
- BHMA Grade 1; UL Fire Listed
- Outside lever for iCLASS controlled by HID iCLASS credential or other 13.56 MHz credential (such as CSN, Chip Serial Number, read only supported, including MiFare, DesFire, and FeliCa).

Electrical Specifications:

- 2400 users per lock; 10,000 event audit trail
- Multiple time zone and holiday access scheduling
- First-In unlock configuration, either by time or by valid time or by user (selectable)

TCWI1 – WiFi

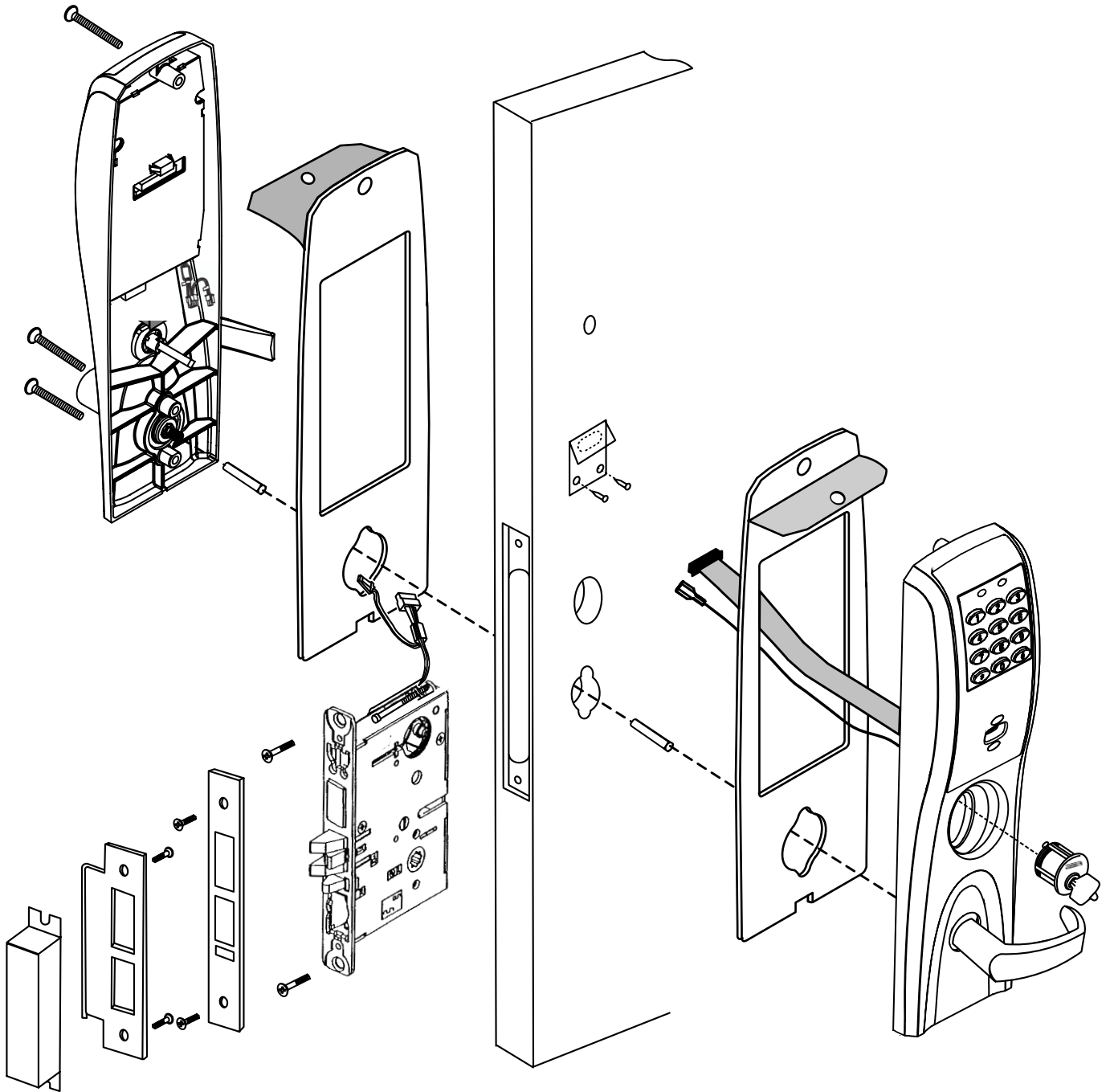
WiFi 802.11b/g

DC9V, 1.5A (6 AA Alkaline Batteries or Remote Electrical Power)

TCIP1 – PoE

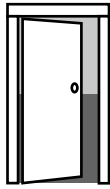
Class 2 Device, as defined by IEEE 802.3af, requires up to 7 watts over structured cabling

3) ML20800 Series Product Illustration

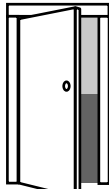


4) Installation Instructions

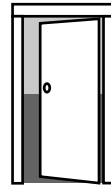
1 Verify Hand and Bevel of door. Illustrations shown are as viewed from the outside or secure side of opening.



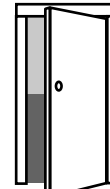
Left Hand
Hinges Left.
Open Inward.
"LH"



Left Hand
Reverse Bevel
Hinges Left.
Open Outward
"LHR"

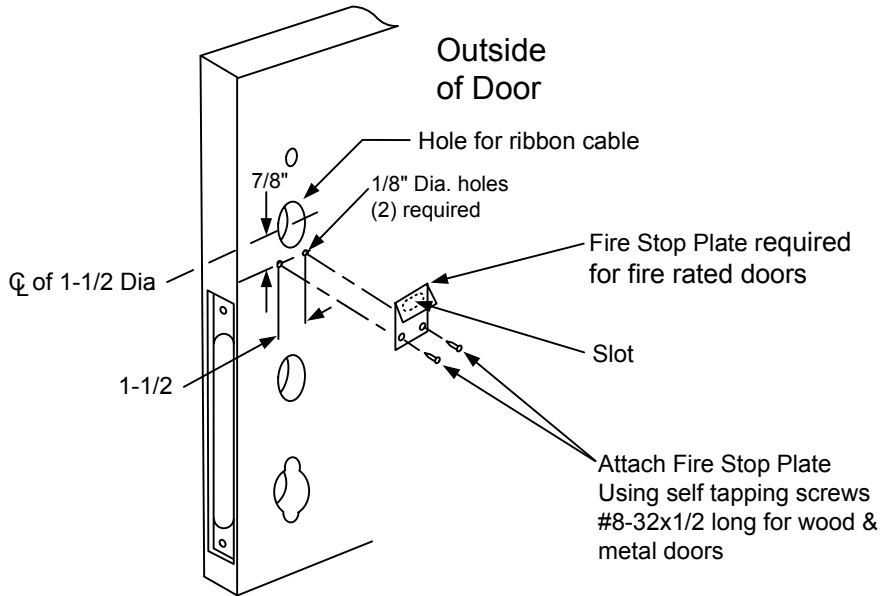


Right Hand
Hinges Right.
Open Inward.
"RH"



Right Hand
Reverse Bevel
Hinges Right.
Open Outward
"RHR"

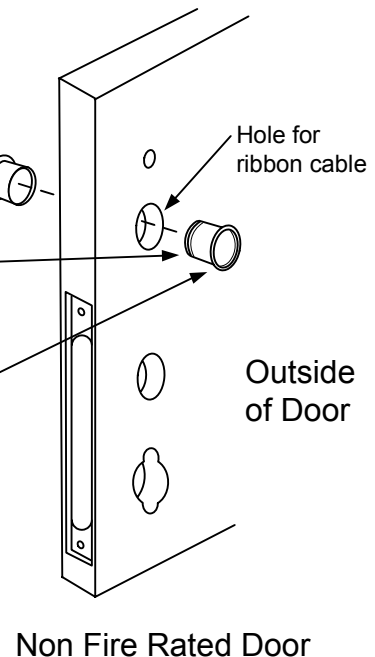
2 Prep door according to supplied Corbin Russwin Inc. door marker.



The Optional Conduit is available for Non Fire rated doors to provide weather protection for exterior door applications. It is included in the M99 Weatherseal Gasketing Kit when ordered with the device. If ordered separately, order part number 794F929.

Non Fire Rated Exterior Doors install weather conduit. (Hollow Doors Only)

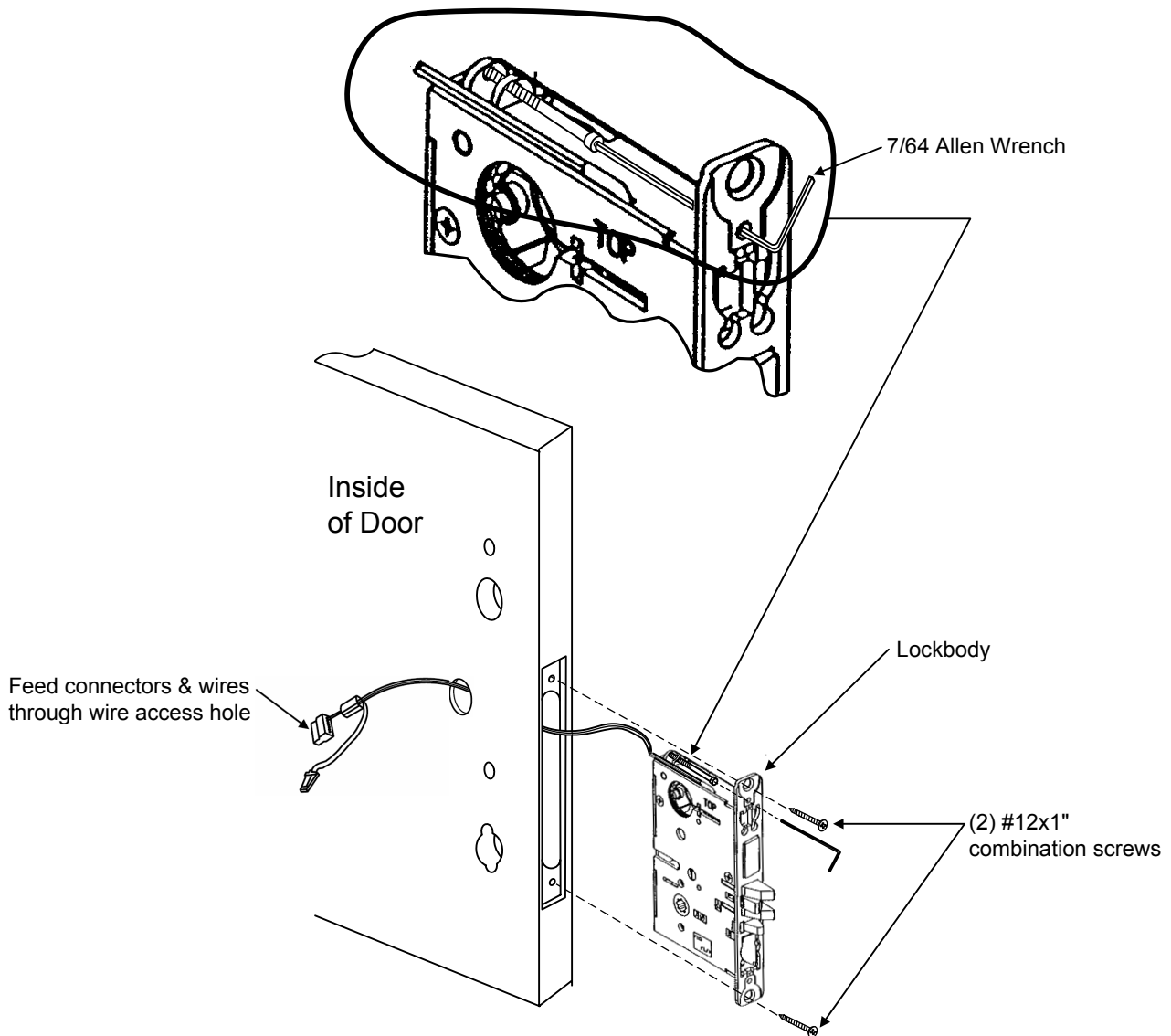
Install conduit half with recessed panel "Not For Use On Fire Door" visible from outside of door.



Installation Instructions

3 Lock Assembly Instructions

Align bevel accordingly. Engage 7/64 Allen wrench on to cap screw required for step 2 page 6. Feed connector and wires through 1 (25) dia. wire access hole. Insert lockbody into mortised cutout in door and hold loosely in place with (2) #12x1" lockbody screws.

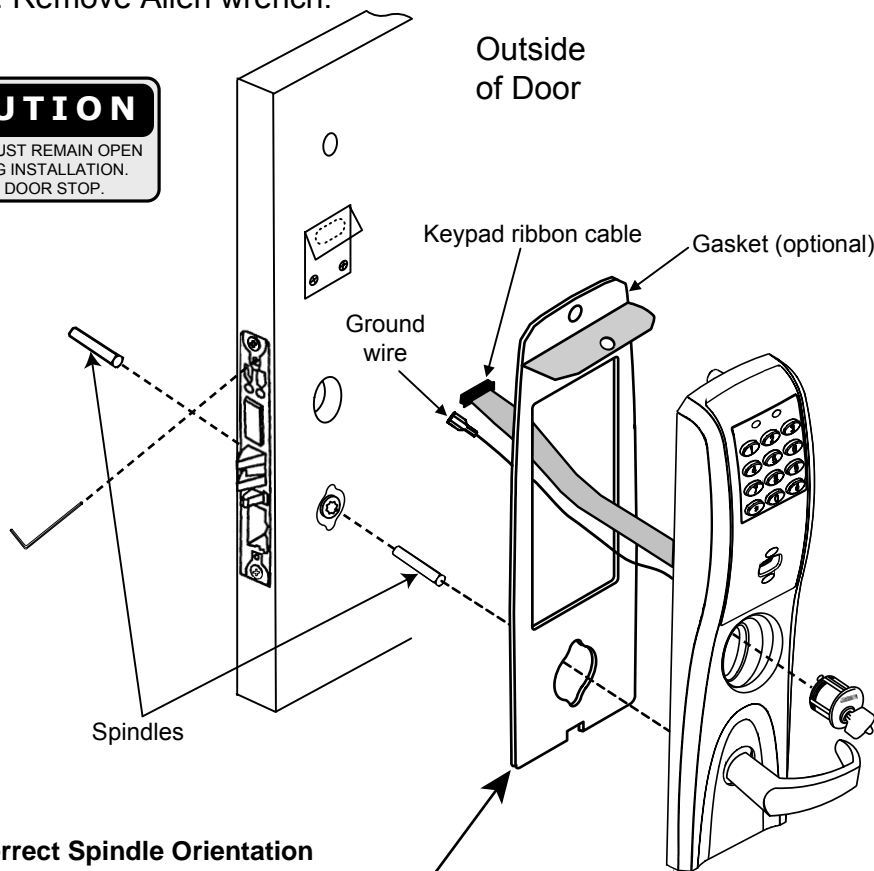


Installation Instructions

4 Installation of Outside Escutcheon

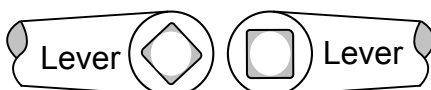
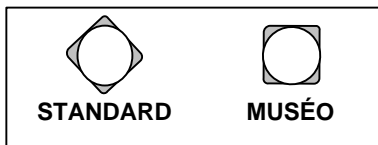
1. For exterior applications, an optional M99 Weatherseal Gasketing Kit can be ordered when a device is ordered. this kit includes gaskets and a conduit. When ordering the kit separately, order part number 794F929. The gaskets may be used as a seal between the escutcheon and the door surfaces.
- 2A. For fire rated doors feed ribbon cable connector and ground wire from outside escutcheon through the fire stop plate.
- 2B. For non-fire rated doors, feed ribbon cable connector and ground wire from outside escutcheon through weather seal gasket (if used), then conduit sleeve in door (not shown).
3. With outside lever horizontal, insert mounting posts into the door. Make certain the lever spindle is properly engaged in lock. (see diagram and Note A. below) Screw cylinder into mortise lockbody make certain the cylinder orientation is in the correct position (see diagram below) . Using the 7/64 Allen wrench provided, hand tighten (5-10 in. lbs.) the cap screw to prevent unscrewing of the cylinder. Turn the key to make certain that the locking mechanism (latch, deadbolt, key) functions correctly. Tighten (2) #12 x 1" lockbody screws. Remove Allen wrench.

CAUTION
DOOR MUST REMAIN OPEN
DURING INSTALLATION.
USE DOOR STOP.



NOTE A.
For MUSÉO Lever collections ONLY. Rotate adapter bushing as needed to insure horizontal lever position and maximum thread engaging lever - adapter bushing.

Use Correct Spindle Orientation



GASKET APPLICATION:

Peel off the adhesive protective paper from gasket. Feed Trim assembly motor harness through gasket opening as shown and firmly press gasket to escutcheon, aligning edge of gasket with the edge of the escutcheon.

NOTE: Key and cylinder must be rotated as shown



Correct



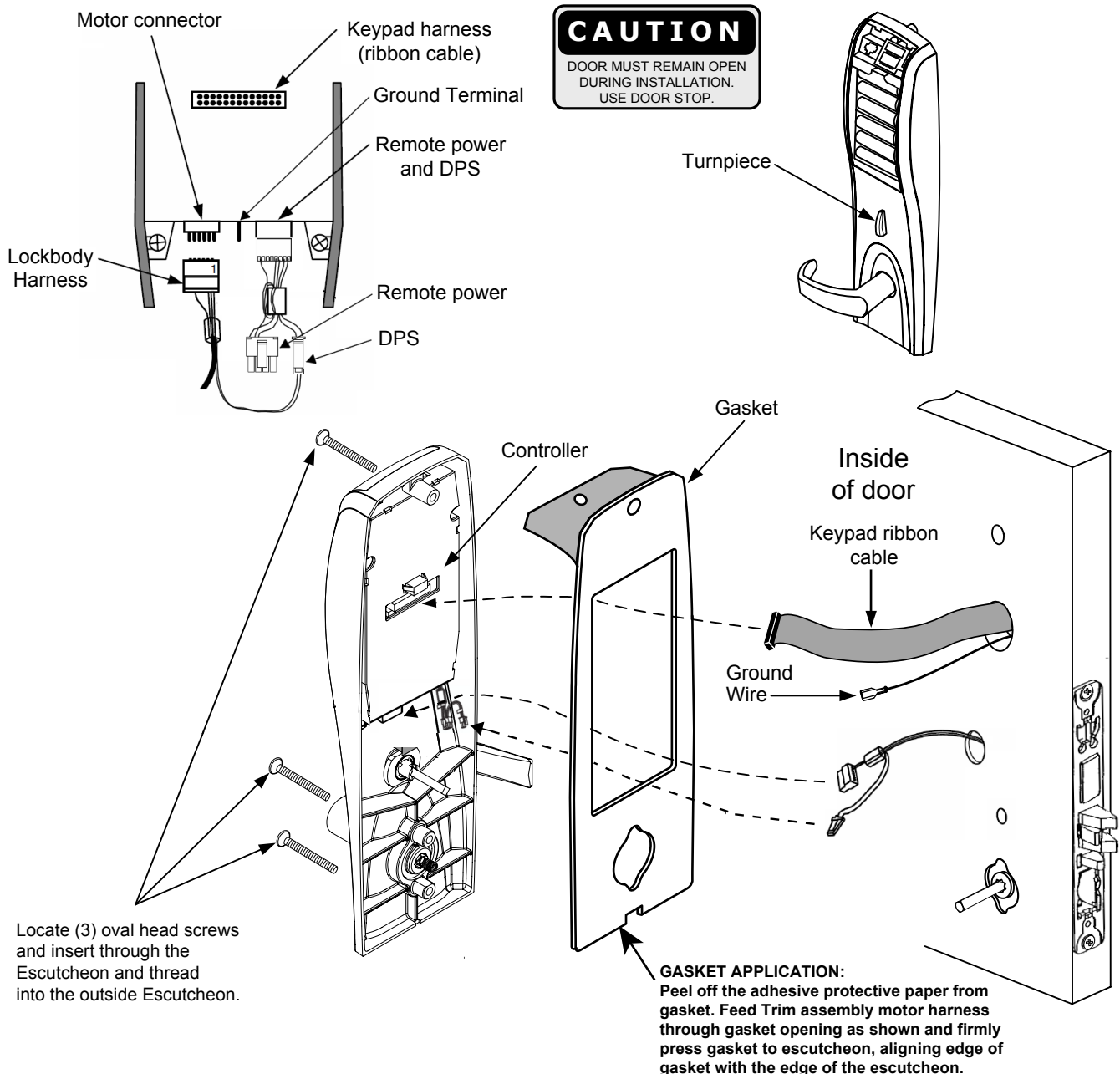
Incorrect

Installation Instructions

5 Installation of Inside Escutcheon

NOTE: Connectors go on only one way. Do not offset connector and be sure they are completely seated.

1. Remove black battery cover from the eschutcheon with High Security T20 Trox bit provided.
2. Connect Ground wire to Ground terminal, Keypad ribbon cable connector to controller, lockbody harness to motor connector, DPS conector on lockbody harness to remote power and DPS harness, and connect remote power if applicable.
3. Align turnpiece to the vertical position.
4. Push excess keypad ribbon cable into the ribbon cable hole.



Installation Instructions

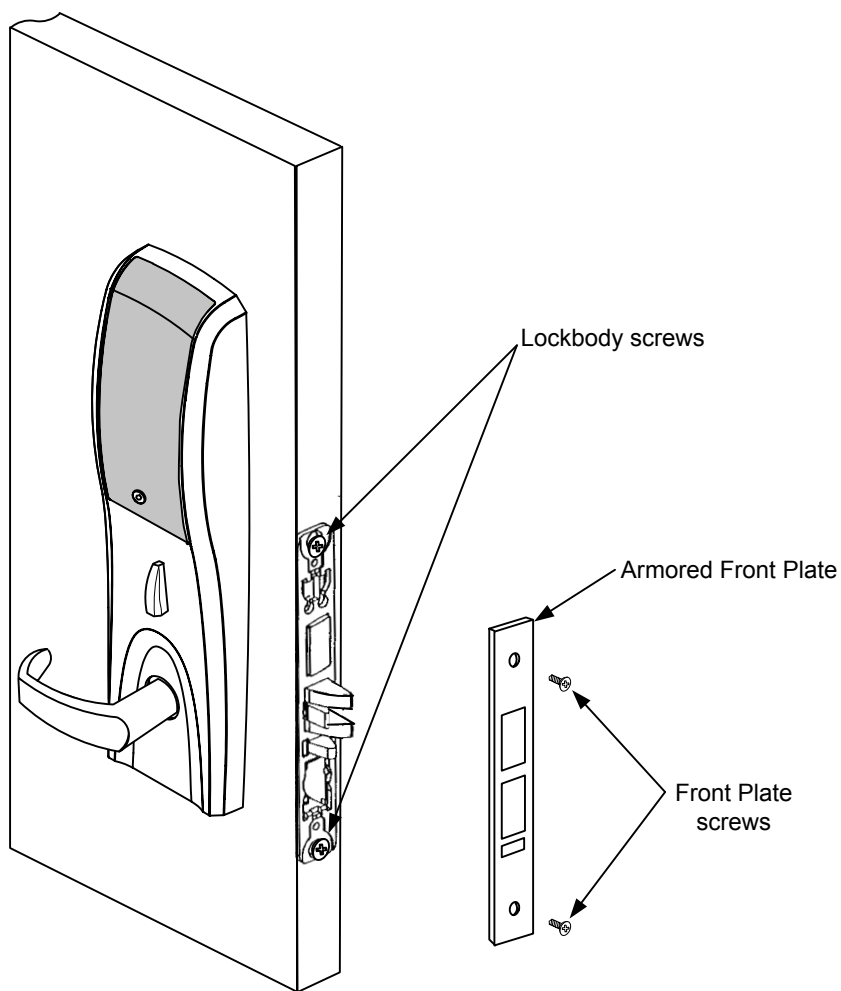
5 Installation of Inside Escutcheon (continued)

1. Turn inside lever to the horizontal position and rotate the turnpiece to the vertical position. Slide onto spindle halfway. With inside escutcheon resting on spindle, be certain that all keypad ribbon cable will remain inside ribbon cable hole, and that ground wire will not get pinched once escutcheon is mounted. Escutcheon will not fit flush on door otherwise.
2. Insert 3 #10-24 screws through inside escutcheon and thread loosely into outside escutcheon. Check operation of both inside and outside levers and make sure the turnpiece and key still operate the latch and deadbolt correctly. If lock function is satisfactory, fully tighten the bottom two screws. Check operation of both levers again. If levers move freely, tighten top screw. If levers do not move freely, loosen bottom screws and realign the escutcheons until proper operation is obtained.

Installation Instructions

6 Installation of Armored Front Plate

1. Install armored front plate using two #8-32 x 1/4" screws provided.

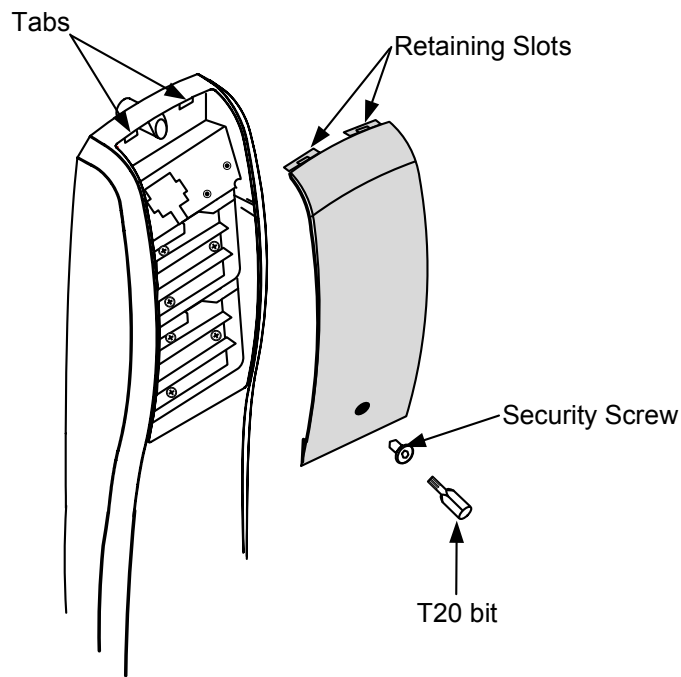
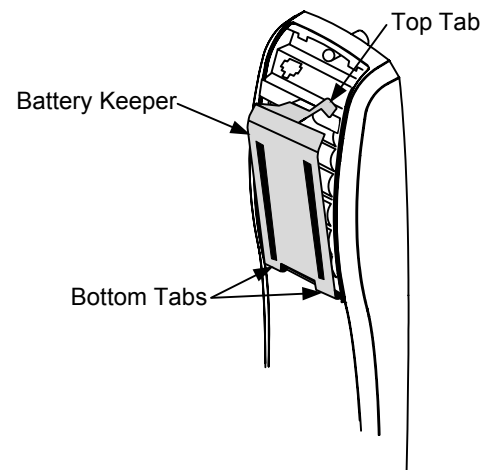
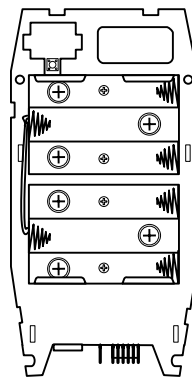


Installation Instructions

7

Battery Installation

1. Remove battery keeper by lifting top tab and pulling away from the unit.
2. Install (6) AA Batteries into controller compartment being careful to align +/- polarity properly.
3. Install Battery Keeper by first inserting bottom tabs in bottom slots of controller. Lift the top tab over batteries and snap into position.
4. Attach battery cover to inside controller escutcheon making sure to line up tabs with retaining slots in battery cover. Secure with security screw using security T20 bit.

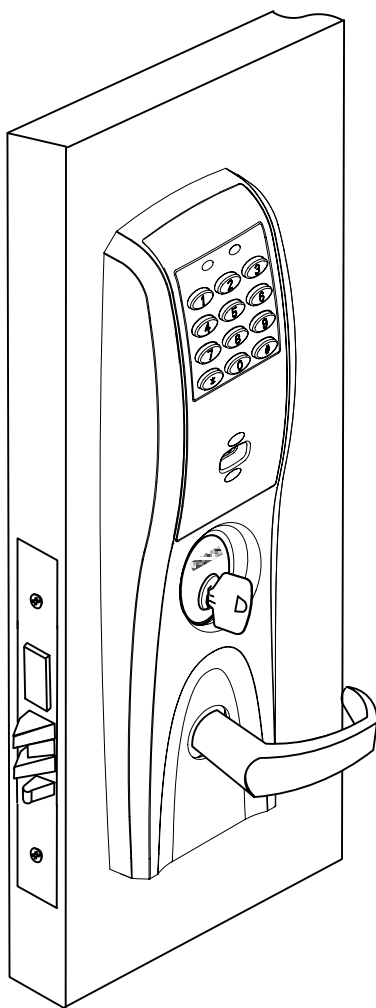


5) Operational Check

8 Lock Operational Check For devices with cylinders:

- 1. Insert key into cylinder and rotate. (There should be no friction against lock case, wire harness or any other obstructions)
- 2. The key will retract the latch, key should rotate freely. If the deadbolt is thrown, the key will first retract the deadbolt and then the latch. Inside lever retracts latch and deadbolt, if provided.

3. *(Illegible text block)*



Corbin Russwin, Inc.
225 Episcopal Road
Berlin, CT 06037-4004
www.corbinrusswin.com
Copyright 2007

Technical Product Support:
Corbin Russwin, Inc.
Phone 800-810-WIRE (9473)

Canada: Assa Abloy DSS Canada
160 Four Valley Drive
Vaughan, ONT L4K 4TG
www.yalecorbin.on.ca

6) ML20800 Hard Wiring Instructions

6.1) Important

1. Caution: disconnect all input power before beginning installation to prevent electrical shock and equipment damage.
2. Installer must be a trained, experienced service person.
3. All wiring must comply with applicable local electrical codes, ordinances and regulations.

6.2) Installation Notes

1. With new applications, an ElectroLynx™ door harness with 8 and 4 pin connectors will be pre-installed inside door by ASSA ABLOY door manufacturer when specified during ordering process.
2. Wiring to pigtail harness is per facility wiring requirement. ElectroLynx™ connector terminations and wire colors all match.
3. If door does not have an ElectroLynx™ type door harness, cut connectors off product and hard wire, or consult factory for appropriate mating harness.

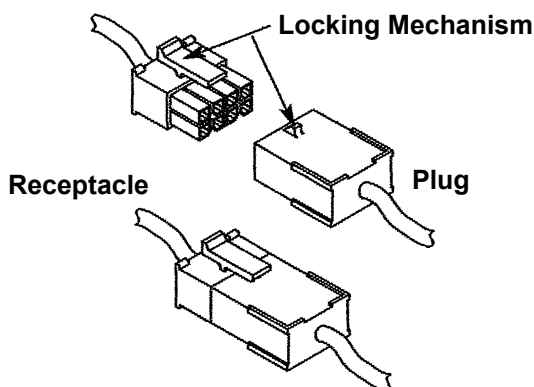
6.3) ElectroLynx™ Connector System Notes:

The system is designed to be installation friendly with pluggable connectors from the electric hinge through the door to the rail. The only wiring required is to the loose wires on the pigtail harness assembly on the frame side of the electric hinge.

IMPORTANT:

The plug and receptacle connectors are designed to mate and lock together as shown in the figure. Plug the connectors into each other with the locking mechanism aligned as indicated.

Do NOT Force connectors on any other way.

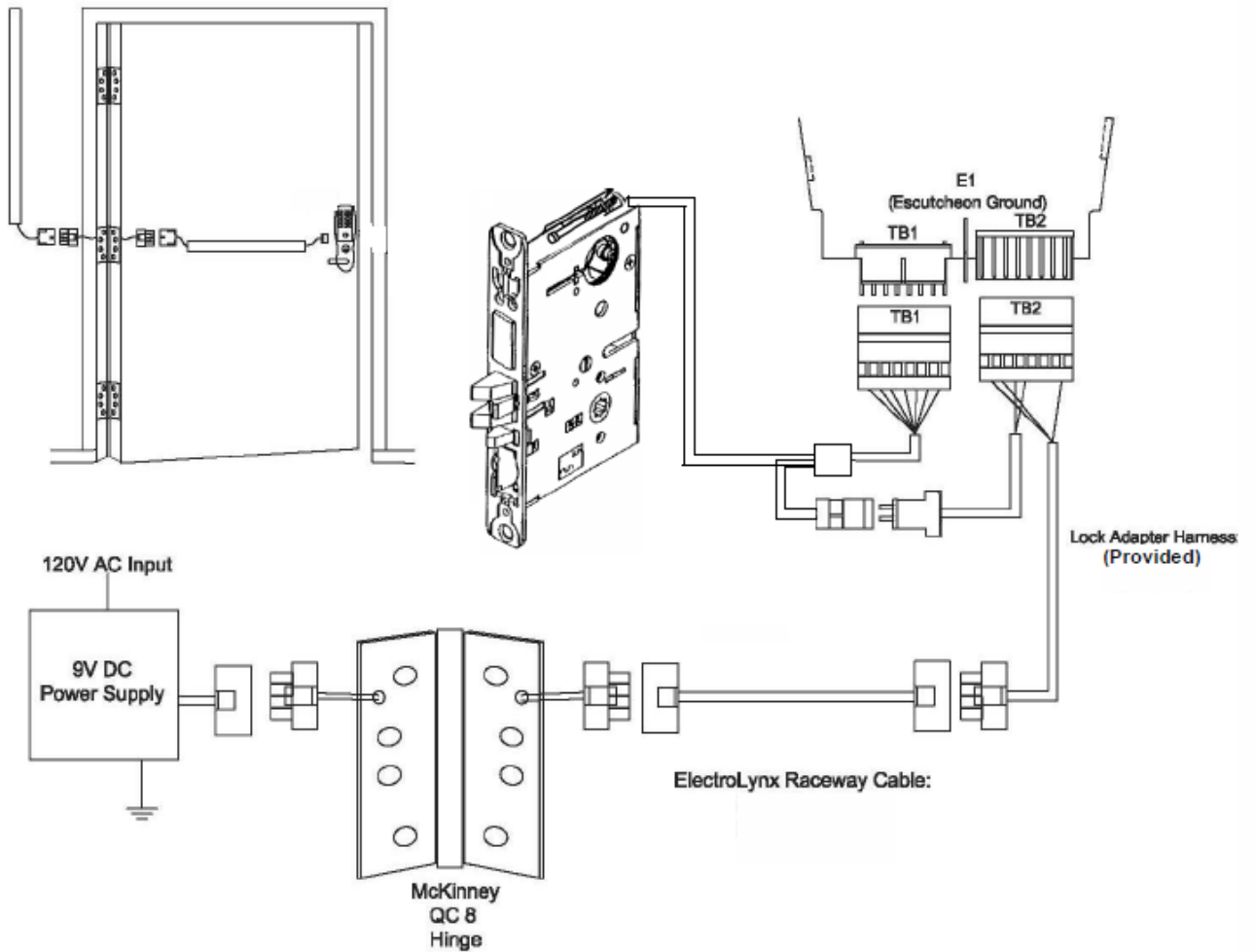


As part of their promise to provide innovative, fast and effective, and higher security solutions to their customers, ASSA ABLOY Group companies offer ElectroLynx™, a universal quick-connect system that simplifies the electrification of the door opening.

ElectroLynx™ is a registered trademark of ASSA ABLOY North America, Inc.

6) ML20800 Hard Wiring Instructions

6.4) Hard Powered Connections



END OF INSTALLATION INSTRUCTIONS