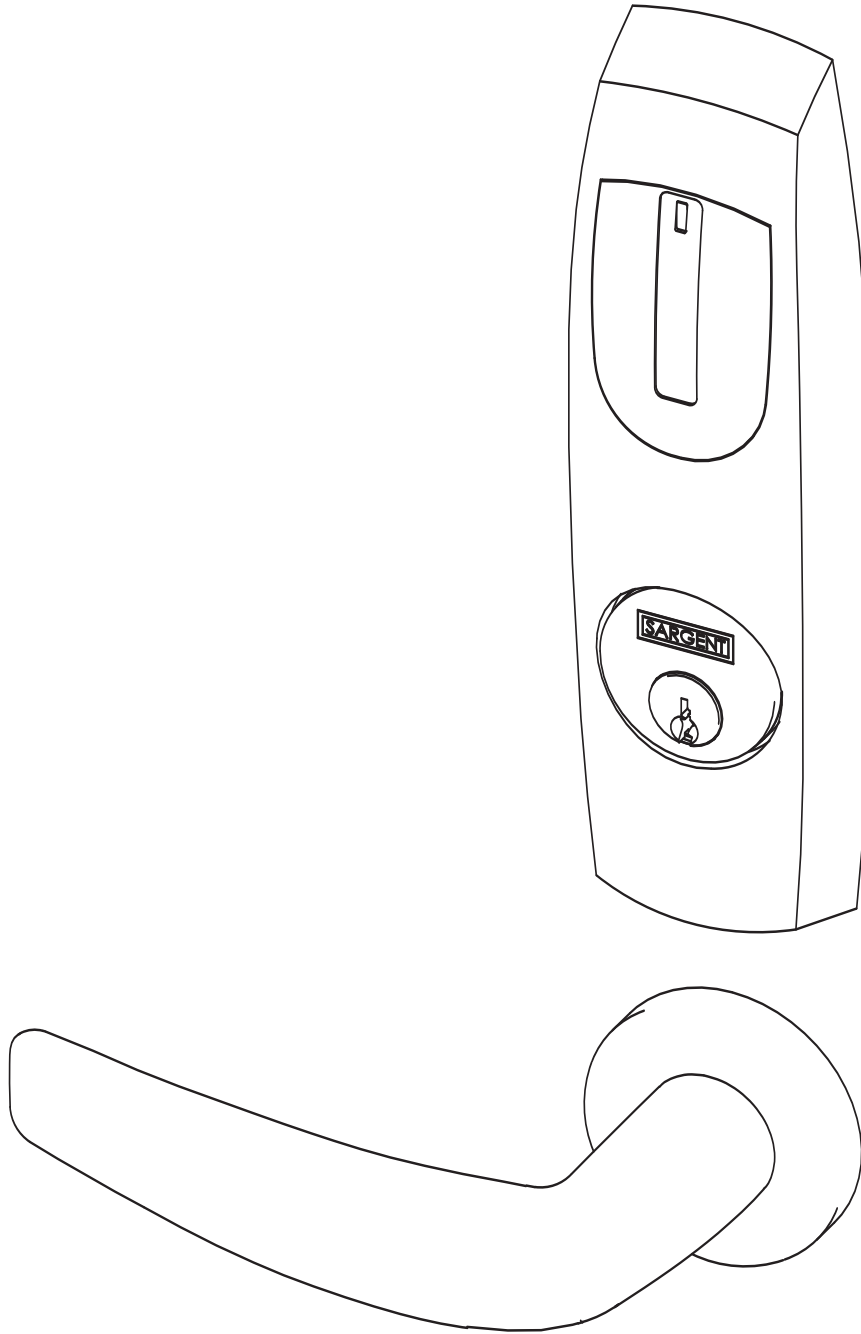


EMC Technologies Report Number: M060902_Cert_Rx

**APPENDIX G
USER MANUAL**

Installation Instructions For Harmony Series H1 Mortise Lock



© SARGENT Manufacturing Company 2007

A7877A
03/07

SARGENT®

Table of Contents

Page

1	Warning	
2	General Description	1
3	Specifications	1
4	Features	1
5	Parts Breakdown	2-3
6	Installation Instructions	4-11
7	Operational Check	12

1 Warning

Warning: Changes or modifications to this unit not expressly approved by the party responsible for compliance could void the user's authority to operate the equipment.

This device complies with Part 15 of the FCC Rules. Operation is subject to the following two conditions: (1) this device may not cause harmful interference, and (2) this device must accept any interference received, including interference that may cause undesired operation.

Note: This equipment has been tested and found to comply with the limits for a Class B digital device, pursuant to Part 15 of the FCC Rules. These limits are designed to provide reasonable protection against harmful interference in a residential installation. This equipment generates, uses and can radiate radio frequency energy and if not installed and used in accordance with the instructions, may cause harmful interference to radio communications. However, there is no guarantee that the interference will not occur in a particular installation. If this equipment does cause harmful interference to radio or television reception, which can be determined by turning the equipment off and on, the user is encouraged to try to correct the interference by one or more of the following measures:

- Reorient or relocate the receiving antenna
- Increase the separation between the equipment and receiver
- Connect the equipment into an outlet on a circuit different from that to which the receiver is connected
- Consult the dealer or an experienced TV technician for help

This Class B digital apparatus complies with Canadian ICES-003.

Cet appareil numérique de la classe B est conforme avec la norme NMB-003 du Canada.

2 General Description

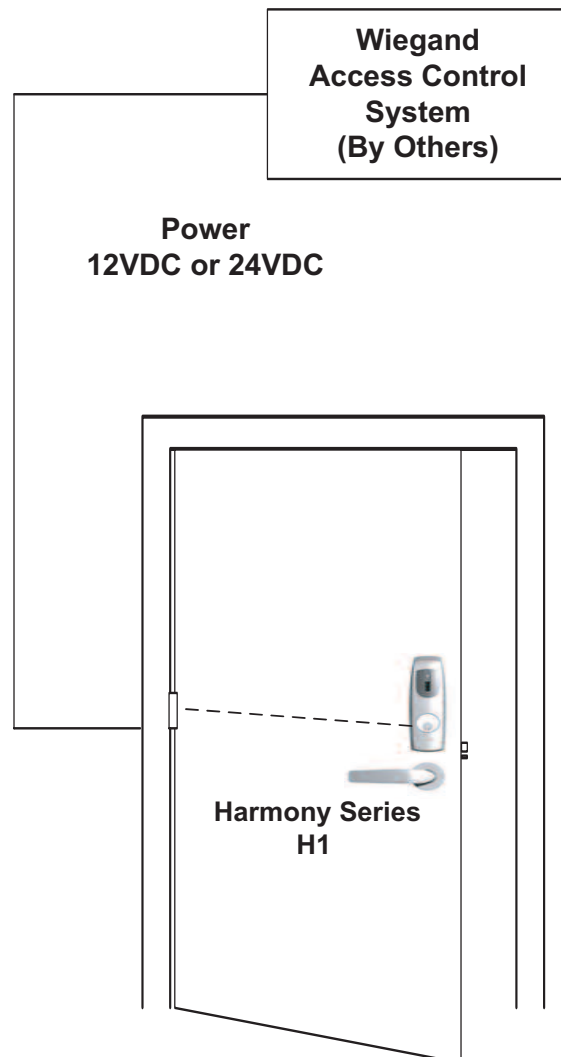
The SARGENT Harmony Series H1 Mortise Lock is designed to interface with an existing weigand access control system.

3 Specifications

- Latch - Stainless steel 3/4" projection one-piece
- Deadbolt - One-piece hardened stainless steel
- Guardbolt - Stainless steel, non-handed
- Handed - Easily field reversible without opening case
- Case - 12 gauge heavy duty wrought steel
- Outside lever controlled by any prox credentials
- Inside lever provides REX signal and retracts latch and deadbolt
- Locks furnished for 1-3/4" doors. Can be furnished for other door sizes upon request. Consult factory
- U.L. Listed (3 hr.)

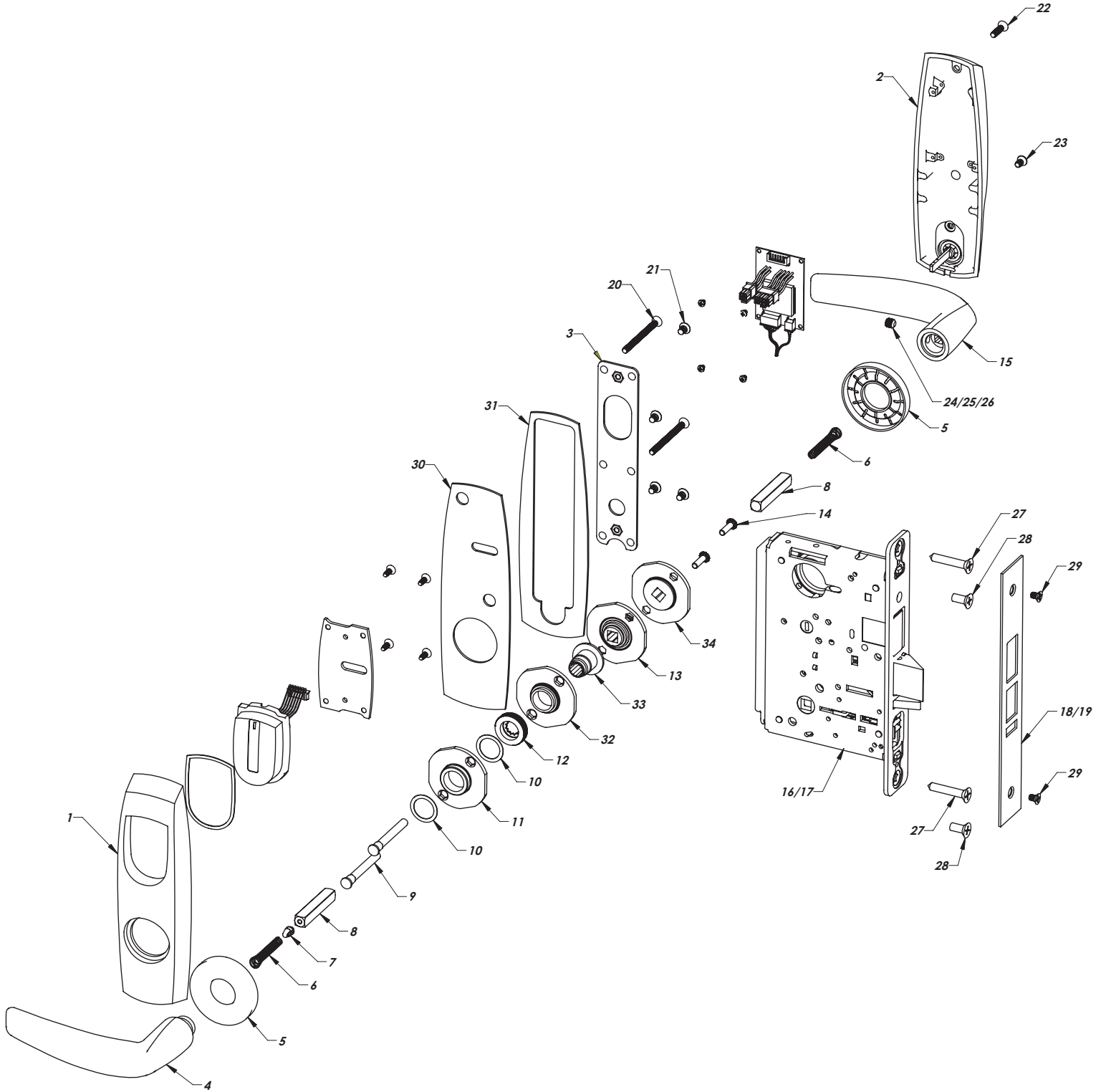
4 Features

- Complete monitoring of door from locks
- Wires directly to Access Control System
- 12 or 24 VDC Fail Safe/Fail Secure
- HID 125khz proximity credentials
- All HID Bit formats



Harmony Series H1 Mortise Lock

5 Parts Breakdown



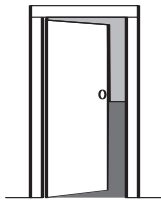
5 Parts Breakdown (Continued)

ITEM	PART No.	DESCRIPTION	REQ'D
1	52-5188	Outside Escutcheon Reader Assembly w/Cylinder	1
1	52-5189	Outside Escutcheon Reader Assembly w/o Cylinder	1
2	52-5184	Inside Escutcheon Assembly w/Turn	1
2	52-5185	Inside Escutcheon Assembly w/o Turn	1
3	52-0798	Mounting Plate - Mortise	1
4			
15		Reference Harmony Series catalog for available lever handles	
5		Reference Harmony Series catalog for available Rose styles	2
6	82-0347	Inside/Outside Spring	2
7	82-0614	Spindle Anchor	1
8	82-0368	Inside/Outside Spindle	2
9	81-0723	Mounting Post	2
10	01-0079	Washer	2
11	82-3082	Plate Assembly	1
12	82-0184	Cap Nut	1
13	82-3088	Inside Spindle Adapter and Plate Assembly	1
14	01-1495	Screw #8-32 x 1/2"	2
16		Lock Body Assembly w/Dead Bolt - 82280-82283 12/24V Functions	1
17		Lock Body Assembly w/o Dead Bolt - 82270-82273 12/24V Functions	1
18	82-0081	Face Plate w/o Dead Bolt	1
19	82-0084	Face Plate w/ Dead Bolt	1
20	77-1467	Through-bolts #8-32 x 2" Phillips Flat Head Screw	2
21	01-1218	Wood Screw #6 x 3/8" Phillips Flat Head	4
22	01-4577	Escutcheon Screw #8-32 x 5/8" Phillips Flat Head	1
23	01-1028	Escutcheon Screw #8-32 x 1/4" Phillips Flat Head	1
24	01-1472	Lever Handle Screw, A, E and F Lever	1
25	01-1174	Lever Handle Screw, B, J, L, P and W Lever	1
26	82-0995	Lever Handle Screw - Studio Collection	1
27	01-2299	Lock Body Screw - Wood Door #12 x 1 1/4"	2
28	01-1019	Lock Body Screw - Metal Door #12-24 x 1/2"	2
29	01-1028	Face Plate Screw Machine - #8-32 x 1/4"	2
30	52-0796	Gasket Harmony Outside - Mortise	1
31	52-0795	Gasket Harmony Inside - Mortise	1
32	82-4576	Adapter and Plate Assembly (DL)	1
33	82-0691	Bushing Outside (DL)	1
34	82-4577	Inside Adapter Plate and Bushing Assembly (DL)	1

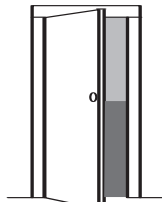
Harmony Series H1 Mortise Lock

6 Installation Instructions

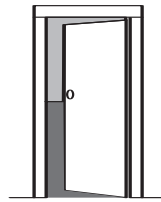
Verify Hand and Bevel of Door



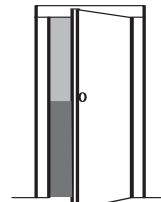
Left Hand
Hinges Left.
Open inward.
"LH"



Left Hand
Reverse Bevel
Hinges Left.
Open Outward
"LHRB"



Right Hand
Hinges Right
Open Inward.
"RH"



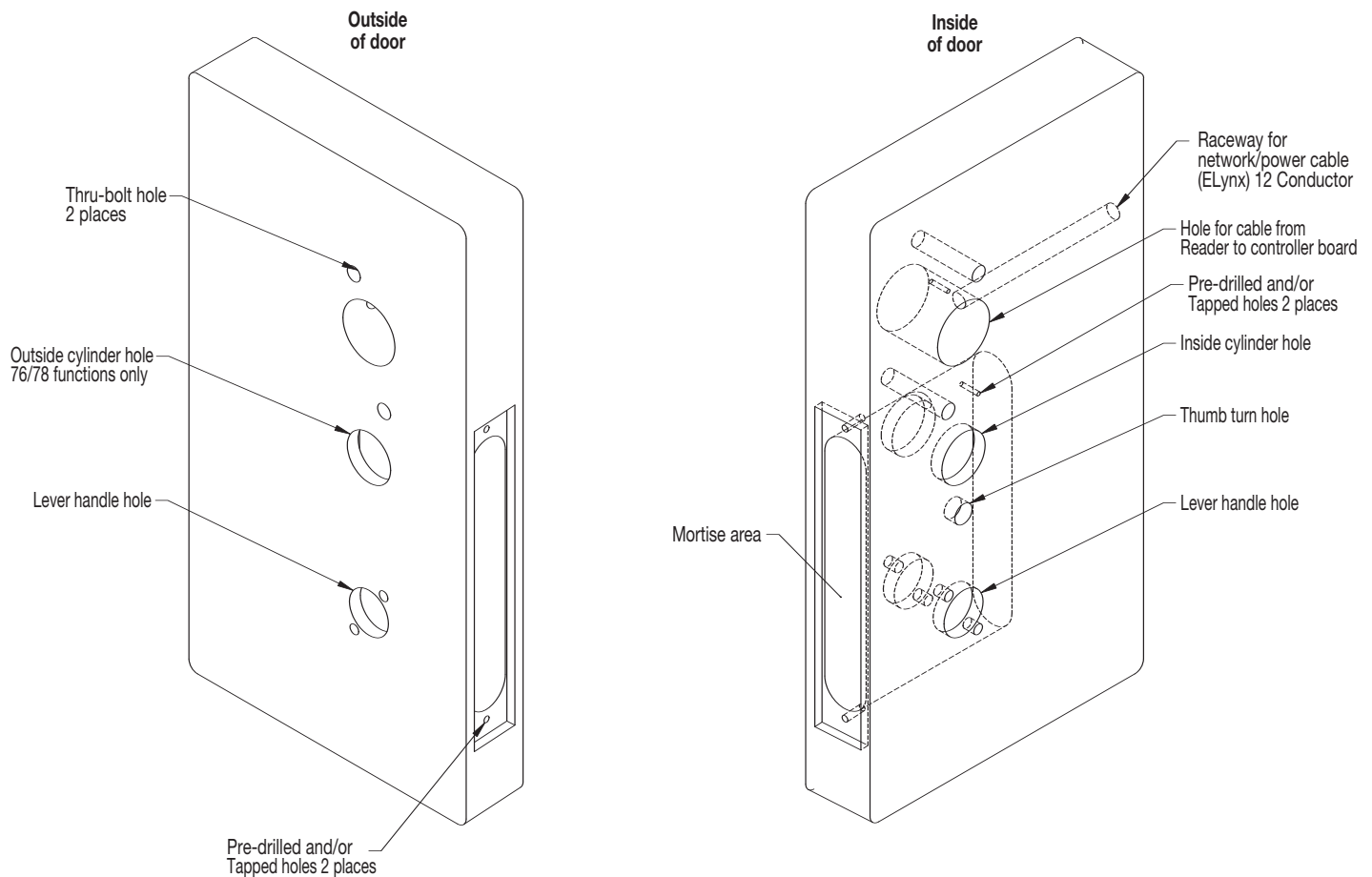
Right Hand
Reverse Bevel
Hinges Right.
Open Outward.
"RHRB"

Step #1 – Door Preparation

Before Starting

Wood door - A7879 template ships with product. For replacement template, contact SARGENT (4541 for raceway, wood and metal door)

Metal door - 4590 for Locks With Deadbolt

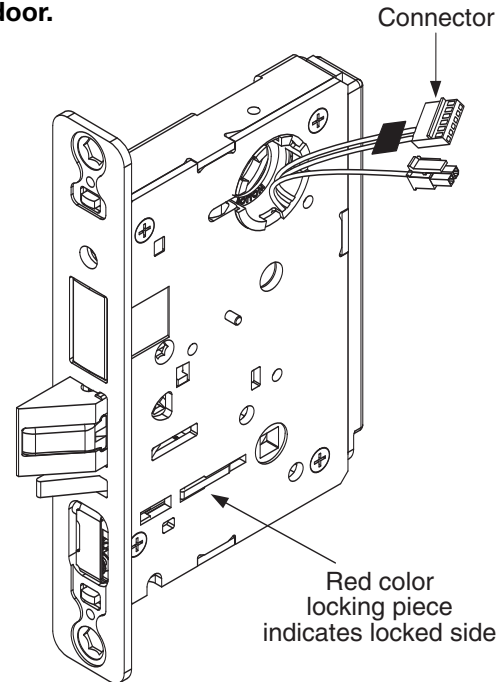
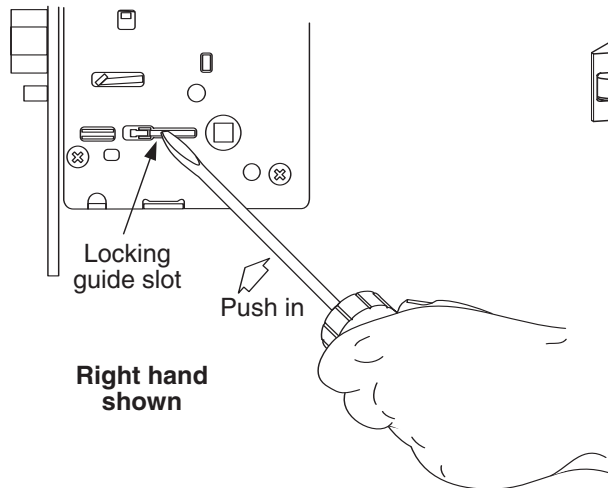


Step #2 – How to Reverse Lock Hand

Note: Red surface of locking piece must face secure side of door.

To rotate locking piece:

1. Position lockbody with red surface of locking piece visible
2. Insert blade type screwdriver into locking piece slot to rotate locking piece
3. Push locking piece toward back of lock body and rotate 180° until RED surface shows on opposite side
4. Red indicates locked (outside) side.
5. Wire harness MUST exit thru non-cylinder side.

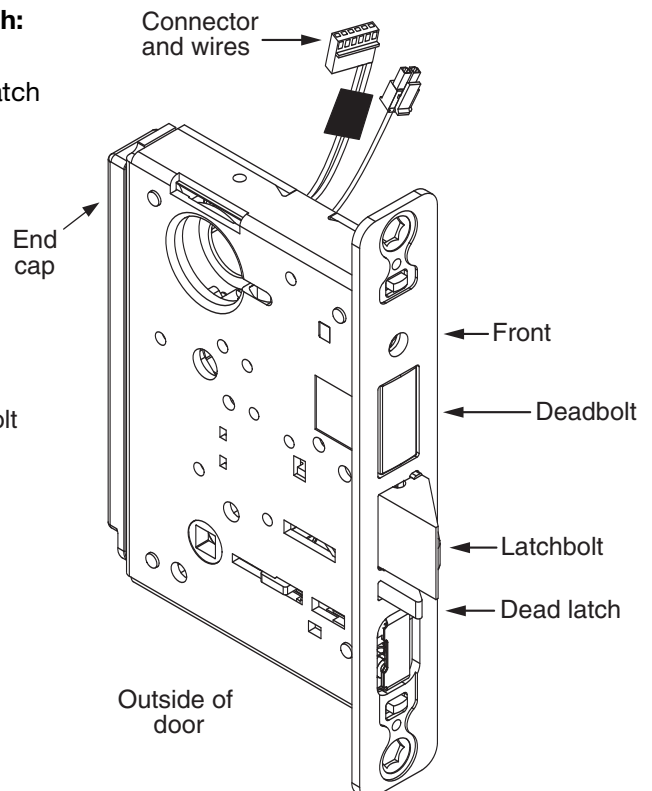
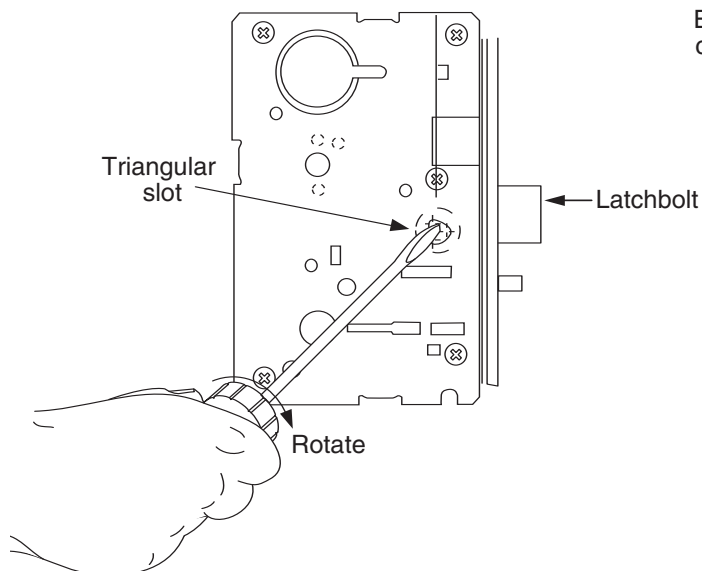


Note: Beveled surface of latch must face strike.

The deadlatch is self adjusting. To change hand of latch:

1. Insert screwdriver blade into the spade shaped slot
 2. Rotate screwdriver 90° to push latch out until back of latch clears lock front. Then rotate latch 180°.
- Latch will then re-enter lockbody.

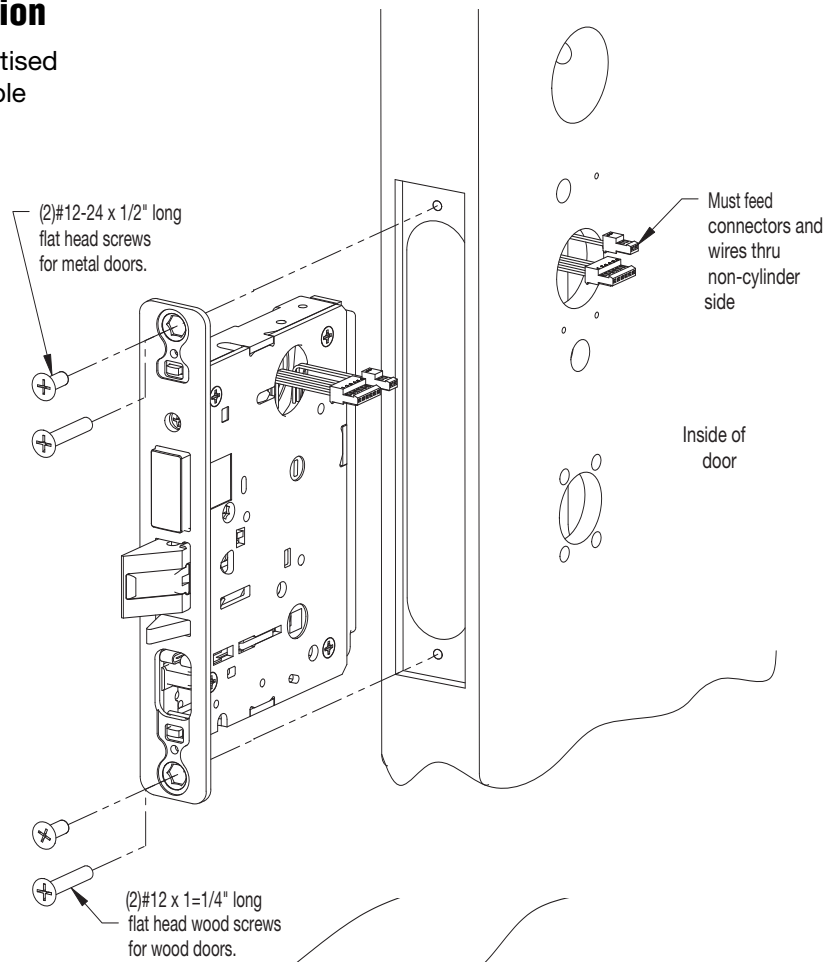
(Note: Latch can not be unscrewed)



Harmony Series H1 Mortise Lock

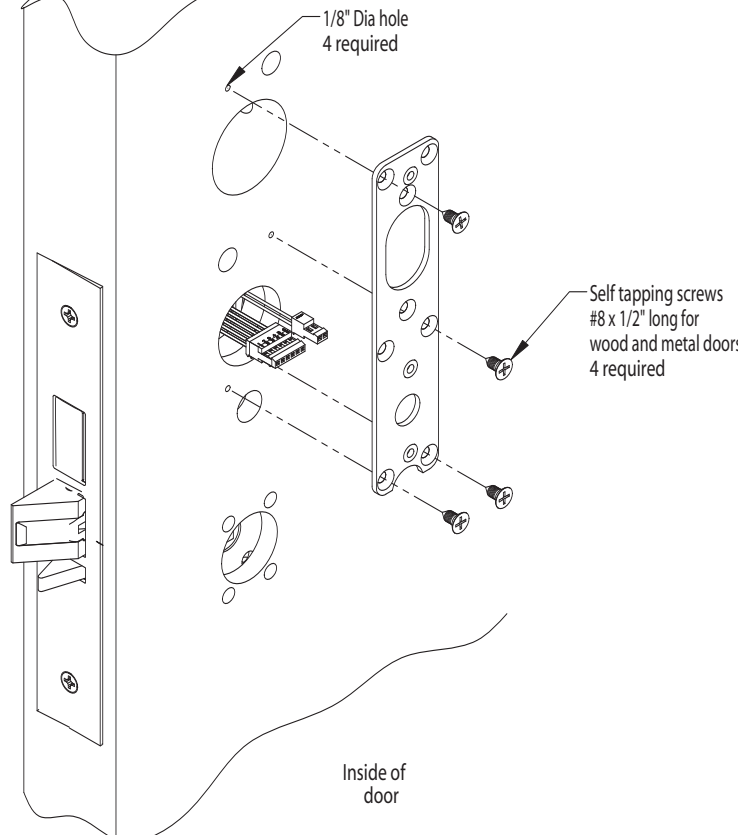
Step #3 – Lockbody Installation

Wires and connector go into the mortised area and out of the inside cylinder hole



Step #4 – Inside Mounting Plate Installation

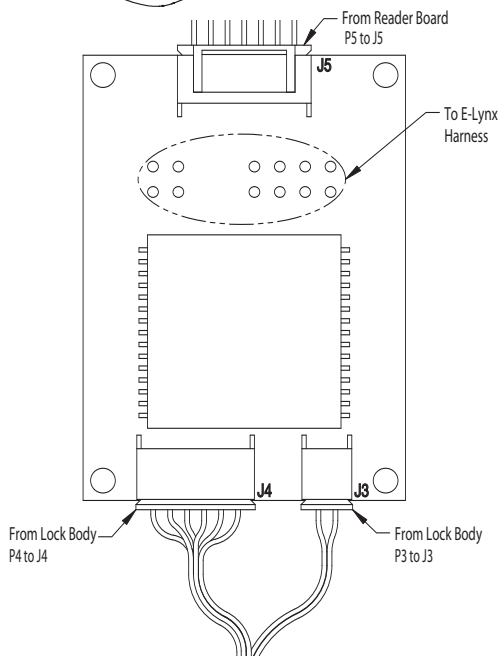
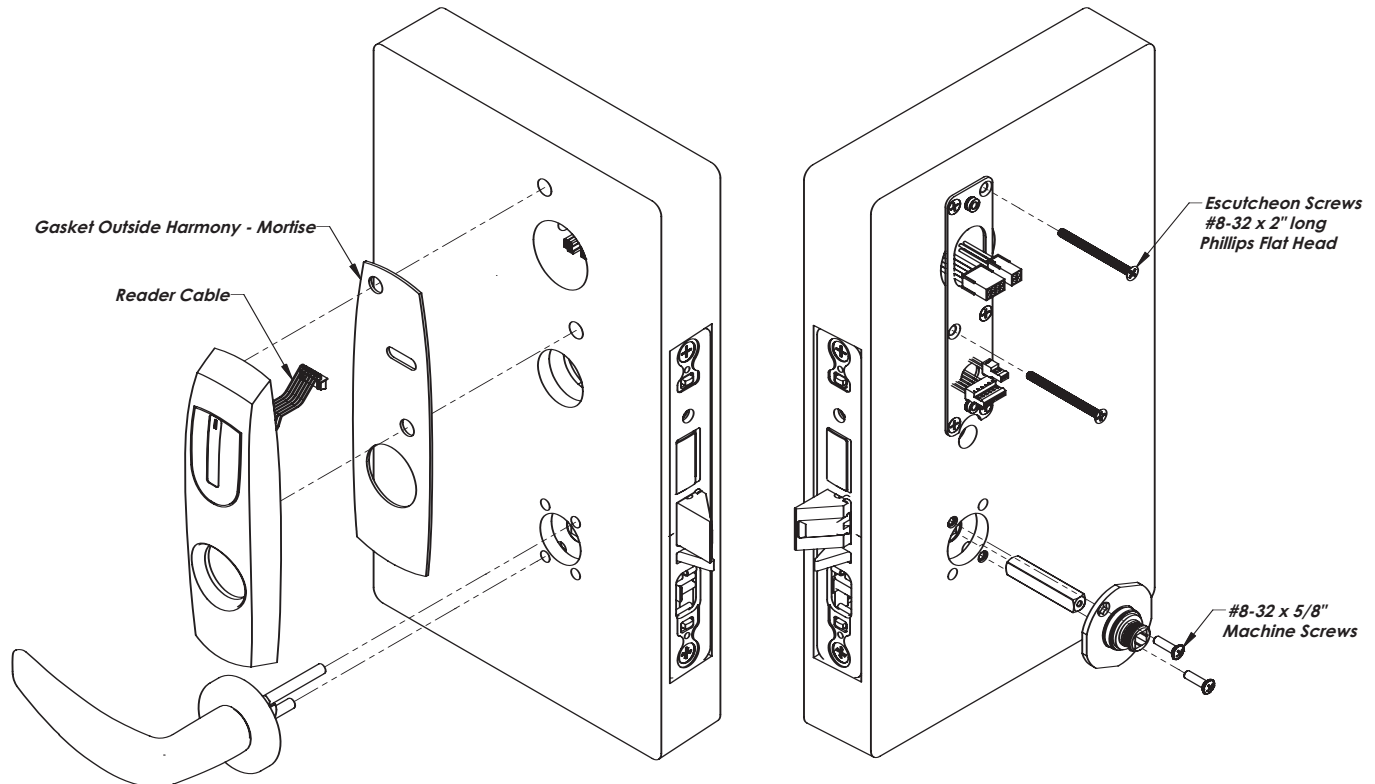
1. Secure the mounting plate with (4) self tapping screws (#8 x 1/2").



Step #5 – Installation of Outside Escutcheon Reader & Lever Assembly

1. Feed the reader cable connector located on the back of the outside escutcheon from the outside of door through door.
2. Securely tighten the outside escutcheon with (2) through-bolts (#8-32 x 2") Phillips flat head screws with the mounting plate.
3. With outside lever horizontal, insert the mounting post through outside of door and lock body. Make certain the lever spindle is proper engaged in lock.
4. On the inside of the door, insert spindle into square hole of mortise lock.
5. Slide inside adapter and plate assembly over spindle and loosely secure with (2) screws (#8-32 x 5/8"). Do not tighten completely, cylinder should be installed prior to tightening.

Note: For 82276 & 82278, thread cylinder through escutcheon and into the lockbody.



Step #6 – Connector Attachment

1. Securely tighten lockbody screws on the edge of the door and then securely tighten the thru bolt screws.
2. Connect P3 (2 Pin Connector) from lock body to J3 on Interior Escutcheon PCB Assembly.
3. Connect P4 (5 Pin Connector) from lock body to J4 on Interior Escutcheon PCB Assembly.
4. Connect P5 (7 Pin Connector) from Reader board to J5 on Interior Escutcheon PCB Assembly.
5. Connect E-Lynx Harness (4 Pin & 8 Pin) from door harness to E-Lynx harness on Interior Escutcheon PCB Assembly.
6. Place extra wire inside door hole

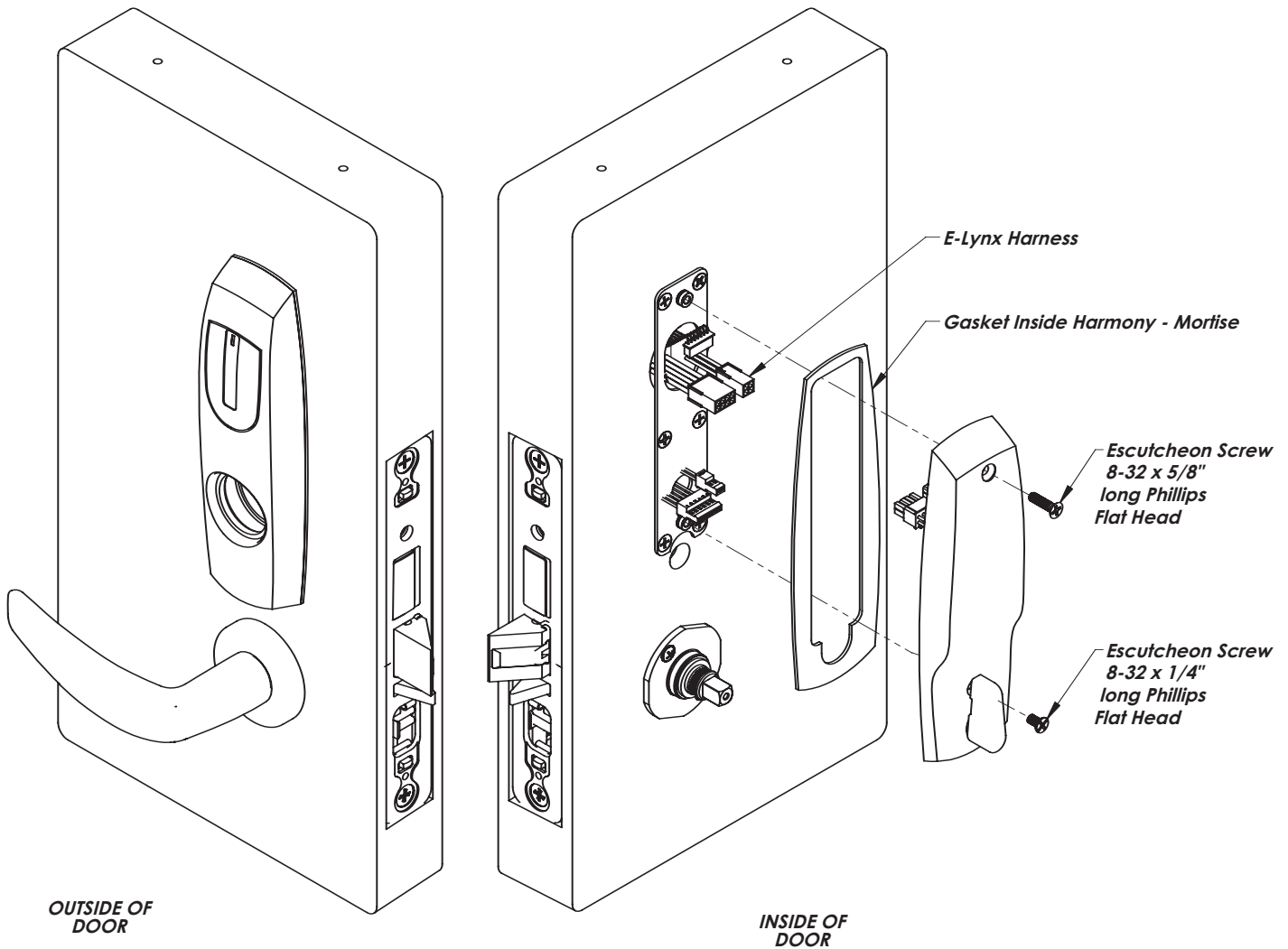
NOTE: Connectors go on only one way. Do not offset connector and be sure they are completely seated.

Profile Series H1 Mortise Lock

Step #7 – Installation of Inside Escutcheon Assembly

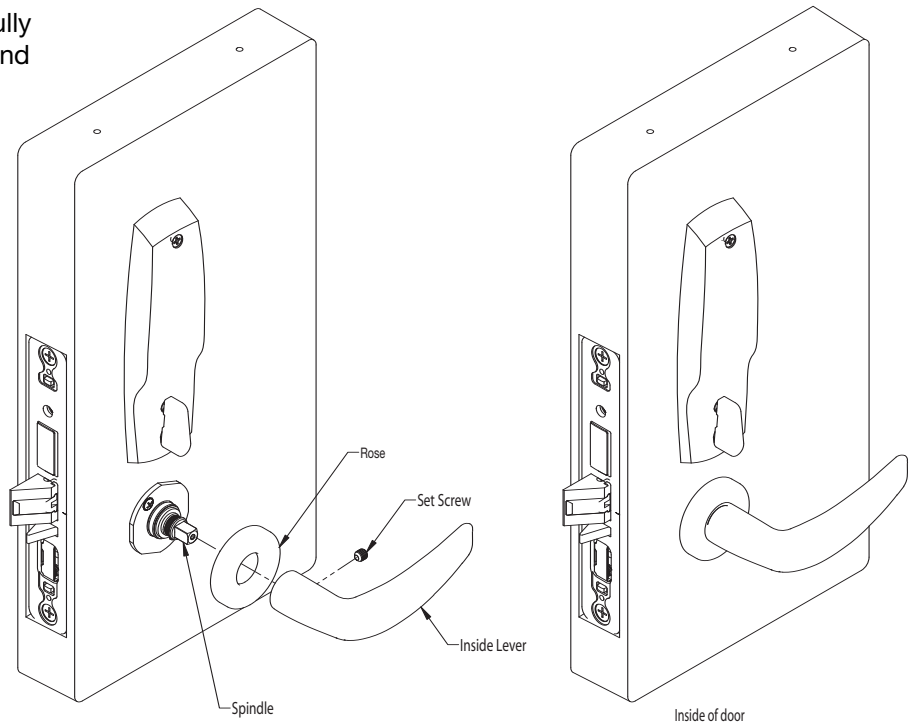
1. Attach E-Lynx door harness connectors to inside electronic.
2. Feed wires into door pre.
3. Attach inside escutcheon to mounting plate.

Note: Be sure not to pinch wires when mounting escutcheon.



Step #8 – Stallation of the Inside Rose and Inside Lever Assembly

1. Rotate inside rose clockwise.
2. Slide lever handle onto spindle until fully seated. Be sure handle is horizontal and facing to the rear of the door.
3. Tighten the set screw securely with 1/8" hex wrench.



Step #9 – Installation of Outside Cylinder

1. Verify orientation of cylinder (Ref. to Fig. 3).
2. Tighten the cylinder clamp screw to prevent unscrewing of the cylinder (Ref. Fig. 2).
3. Test cylinder function: 78 Function - Key retracts latch 76 Function - Key retracts latch and projects and retracts deadbolt.

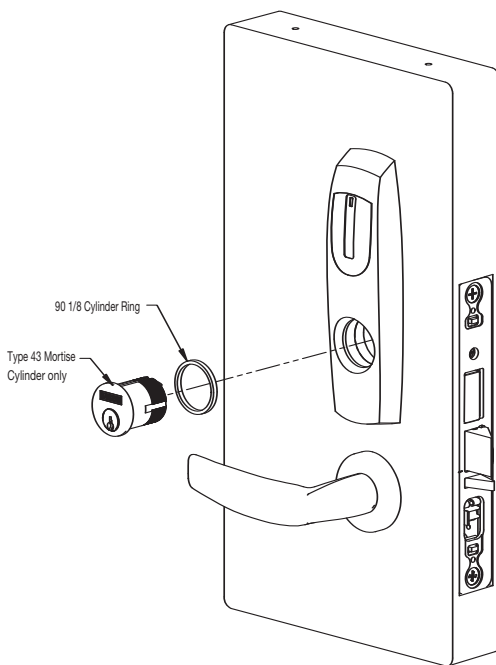


Fig 1

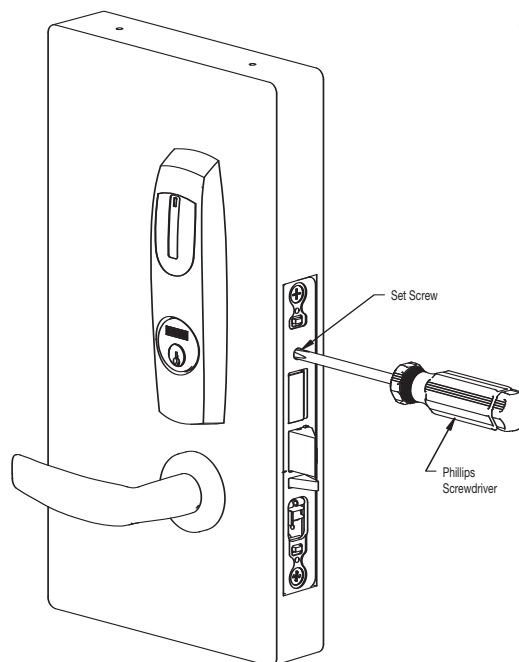


Fig 2

Note: Key and cylinder must be rotated as shown

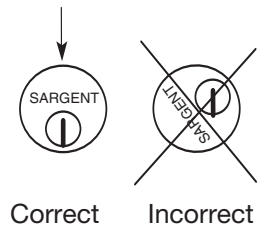
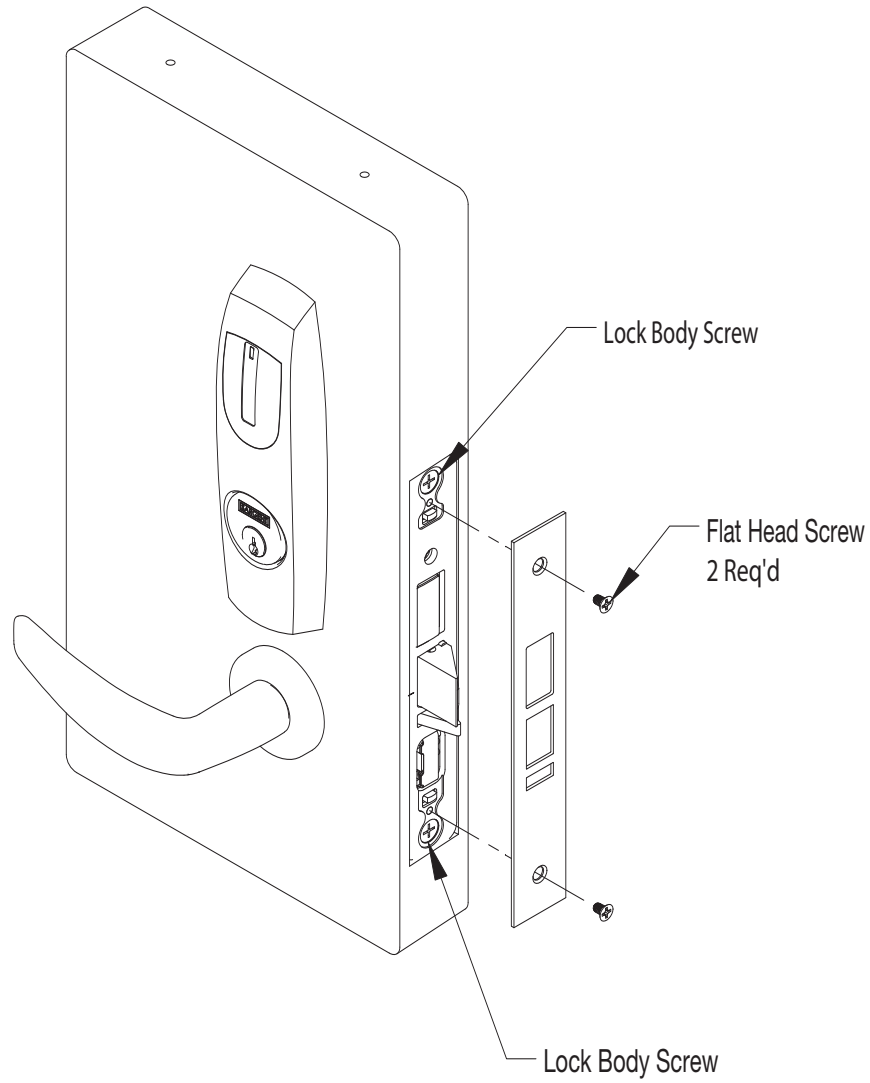


Fig 3

Harmony Series H1 Mortise Lock

Step #10 – Application of Front Plate

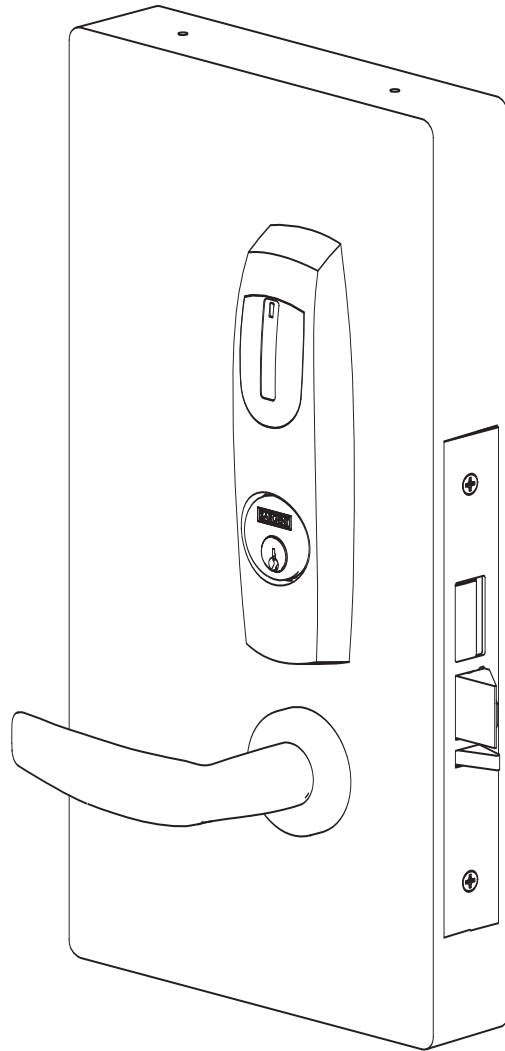
1. Attach front plate with (2) flat head screws.



7 Mechanical Operation Check

For 82276 & 82278 Function mortise locks with cylinders:

1. Insert key into cylinder and rotate (There should be no friction against lock case, wire harness or any other obstructions. Refer to Section 6, Step 8 if harness friction exists).
2. The key will retract the latch. Key should rotate freely.
3. If the deadbolt is thrown, the key will retract both the deadbolt and the latch.
4. Inside lever retracts latch and deadbolt (if provided).



Founded in the early 1800's, SARGENT® is a market leader in locksets, cylinders, door closers, exit devices, electro-mechanical products and access control systems for new construction, renovation, and replacement applications. The company's customer base includes commercial construction, institutional, and industrial markets.

© SARGENT Manufacturing Company 2007

ASSA ABLOY is the world's leading manufacturer and supplier of locking solutions, meeting tough end-user demands for safety, security and user friendliness.