

**EMC Technologies Report Number: M060902\_Cert\_Rx**

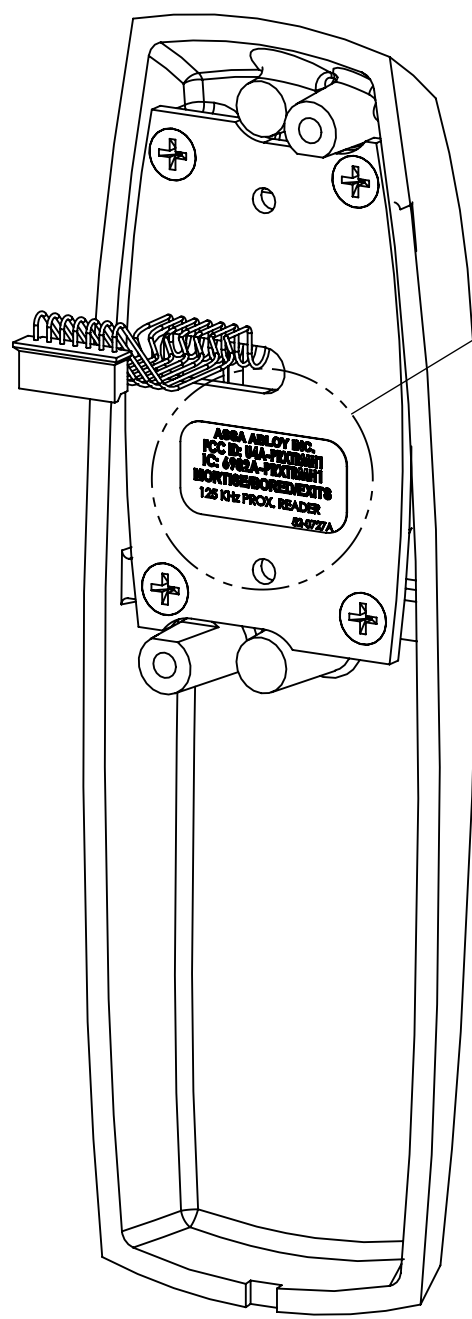
**APPENDIX F  
FCC LABEL DETAILS**

4

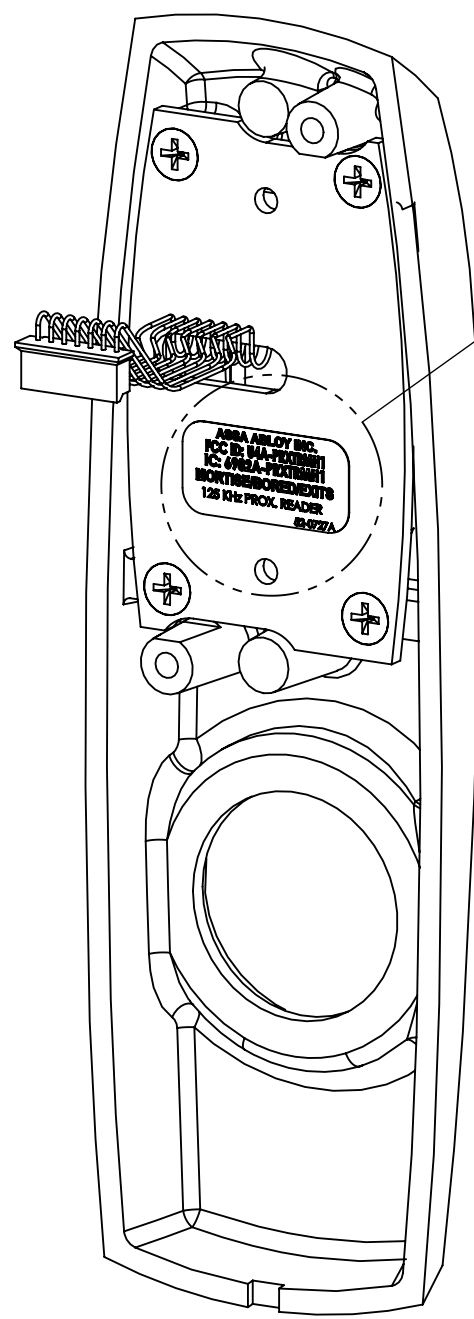
3

2

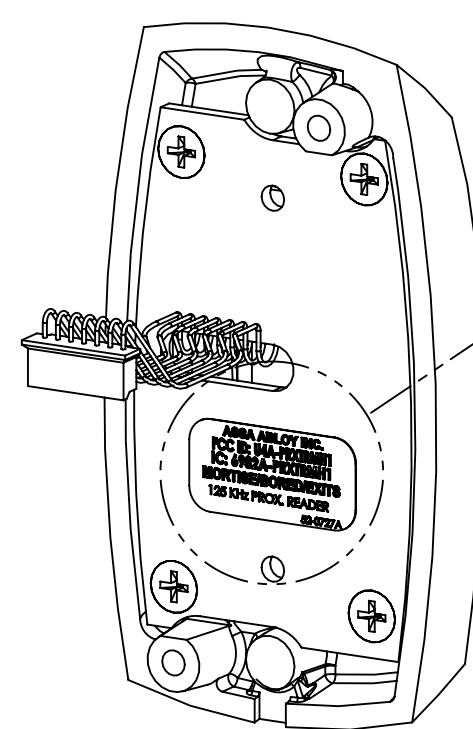
1



**DETAIL A**



**DETAIL A**



**DETAIL A**

ASSA ABLOY INC.  
 FCC ID: U4A-PRXTRMH1  
 IC: 6982A-PRXTRMH1  
 MORTISE/BORED/EXITS  
 125 KHz PROX. READER  
 52-0727A

**DETAIL VIEW A  
SCALE 4:1**

MATERIAL					
INTERPRET DRAWING PER ANSI Y14.5M -1994		DRAWN BY/DATE		<b>SARGENT</b> ® SARGENT Manufacturing Company 100 Sargent Drive New Haven, CT 06511	
UNLESS OTHERWISE SPECIFIED ALL DIMENSION ARE IN INCHES.		CHECKED BY/DATE			
TOLERANCE	.XX ±.01	MFG ENG/DATE		ART.	
ANGLE	±1°	FNL APPROVAL/DATE		TITLE: FCC LABEL PLACEMENT	
FRACTION	±1/64	FNL APPROVAL/DATE		SIZE	
CONFIDENTIAL		FNL APPROVAL/DATE		DWG No. XX-XXXX	
THIS DOCUMENT IS THE CONFIDENTIAL PROPERTY OF SARGENT MANUFACTURING AND IS NOT TO BE REPRODUCED, USED OR DISCLOSED BY ANYONE WITHOUT THE EXPRESS WRITTEN PERMISSION OF THE SARGENT MANUFACTURING COMPANY.		PROD CTRL/FNL REL		REV X4	
				SCALE: 1:1	
				SHEET: 1 of 1	

DWG No. XX-XXXX  
 SH 1  
 REV. X4

4

3

2

1

Form Rev. 30 Jan 2006