

Vokkero *Squadra*

915MHz USA/CAN version

User Guide



Préambule / Preamble / Präambel / Preambolo / Preámbulo

- Ce guide décrit les fonctionnalités du système Vokkero® Squadra, ses options et ses accessoires. Il explique comment le configurer pour permettre une communication de type conférence entre plusieurs utilisateurs.
- This guide describes the functionality of the system Vokkero® Squadra, options and accessories. It explains how to configure it to allow a conference-type communication between multiple users.
- Diese Anleitung beschreibt die Funktionalität des Systems Vokkero® Squadra, Optionen und Zubehör. Es erklärt, wie man es konfigurieren, um eine Konferenz-Art der Kommunikation zwischen mehreren Benutzern zu ermöglichen.
- Questa guida descrive la funzionalità del sistema Vokkero® Squadra, opzioni e accessori. E spiega come configurare in modo da permettere una comunicazione di tipo conferenza tra più utenti.
- Esta guía describe la funcionalidad del sistema Vokkero® Squadra, opciones y accesorios. En él se explica cómo configurarlo para permitir una comunicación de tipo conferencia entre múltiples usuarios.
- Aucun extrait de ce document ne pourra être reproduit ou transmis (sous format électronique ou papier, ou par photocopie) sans l'accord d'Adeunis RF. Ce document pourra être modifié sans préavis. Toutes les marques citées dans ce guide font l'objet d'un droit de propriété intellectuelle.
- No part of this document may be reproduced or transmitted (in electronic or paper, or photocopying) without the agreement Adeunis RF. This document may be changed without notice. All trademarks mentioned in this guide are the subject of intellectual property rights. Adeunis RF.
- Kein Teil dieses Dokuments darf reproduziert oder übertragen werden (in elektronischer oder Papierform oder Fotokopie) ohne die Zustimmung ADEUNIS RF. Dieses Dokument darf ohne vorherige Ankündigung geändert werden. Alle Marken in diesem Handbuch erwähnt werden, sind Gegenstand des geistigen Eigentums.
- Nessuna parte di questo documento può essere riprodotta o trasmessa (in fotocopia elettronica o cartacea, o), senza il consenso RF ADEUNIS. Questo documento può essere modificato senza preavviso. Tutti i marchi citati in questa guida sono oggetto di diritti di proprietà intellettuale.
- Ninguna parte de este documento puede ser reproducida o transmitida (en fotocopias electrónico o en papel, o) sin el acuerdo ADEUNIS RF. Este documento puede ser modificada sin previo aviso. Todas las marcas comerciales mencionadas en esta guía son el tema de los derechos de propiedad intelectual.

ADEUNIS-RF
283, rue Louis Néel
38920 Crolles
France

Phone +33(0)4 76 92 07 77
Fax +33(0)4 76 08 97 46
Web www.VOKKERO.com

Table of contents

Préambule / Preamble / Präambel / Preambolo / Preámbulo	2
Introduction	6
Installation procedure for the system	6
1. Vokkero® Squadra terminal	7
1.1. Description of the screen icons (default settings)	7
1.2. Description of all the screen icons	7
1.3. Description of the terminal's keys	8
1.4. Start-up of the terminal – Important information	8
1.5. Setting up the headset	8
2. Description of the configurator	8
2.1. Configurator	9
2.2. Description of the home screen	9
2.3. Main Menu	9
2.4. Viewing and modifying a terminal's parameters	10
3. Automatic configuration of a Vokkero® Squadra system	11
3.1. FHSS tables / Channel setting	11
3.2. Selecting a table (channels)	12
4. Manual parameterisation of a Vokkero® Squadra system	12
4.1. Frequencies menu	12
4.1.1. Manual selection of a channel	12
4.2. Assigning a number to a system (Role menu)	13
4.3. Setting the systems in conference mode (encryption procedure)	13
5. Other sub-menus	15
5.1. The Update menu	15
5.2. The Configuration menu	16
5.2.1. Options	16
5.2.2. Sidetone	16
5.2.3. Speaker mode	17
5.2.4. Listening Selection	17
5.3. Advanced Settings menu	18
5.4. Admin Settings menu	20
5.5. Default settings	20
5.6. Configurator Settings menu	20
6. Functions directly accessible via the terminal	21
6.1. Adjusting the listening volume	21
6.2. Viewing the communication channel used	21
6.3. Viewing the terminals connected to the network	21
6.4. Modifying the role number	21

7.	The charger	22
7.1.	Technical specifications	22
7.2.	Powering the charger	22
7.3.	Installing the terminals	22
7.3.1.	The meaning of the configurator's batteries icons	23
7.4.	Placing the chargers and the configurator in series	23
7.5.	Warnings	23
8.	Troubleshooting – FAQ	24
9.	Error messages	24
	Declaration of conformity	25

ENGLISH

Introduction

The operations described below enable you to implement your Vokkero® Squadra communication system quickly and easily.

All the operations described are common to the versions of the Vokkero® Squadra terminal listed below:

ARF7822AA

Note: Your product reference is to be found on the label on the back of your terminal's casing.

The system consists of three main items:

- **The terminal**
- **The configurator**
- **The charger**

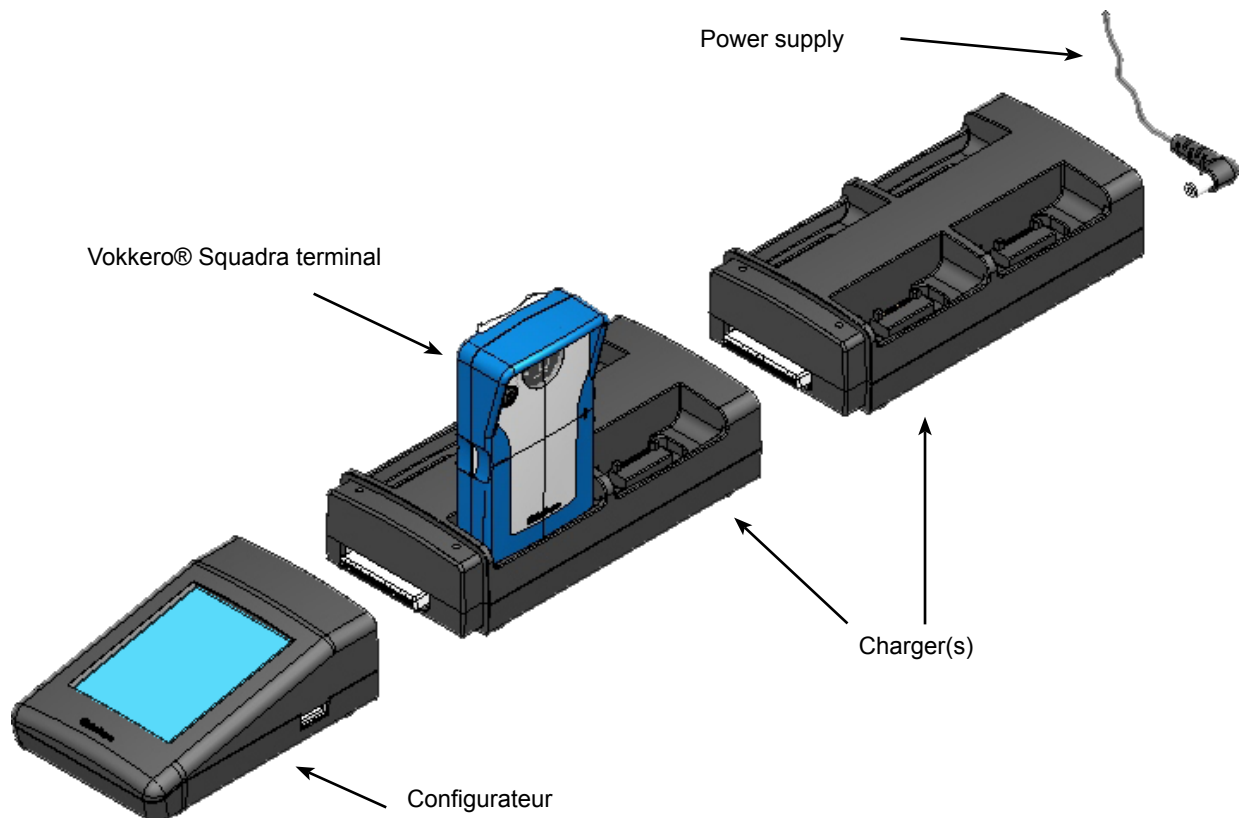
All the operating parameters of the Vokkero® Squadra system are managed by the configurator. This provides access to the settings menus via a touch screen. In order to function, the configurator must be connected to one or more chargers and the charger(s) must be connected to the power supply unit.

Installation procedure for the system

- Connect the configurator to the charger(s).
- Connect the power supply unit to the last charger (if several of them are in series).
- Connect the power supply unit to the mains.
- Connect the Vokkero® Squadra terminals as shown below.

Note 1: The order and the position of the terminals on the charger(s) is unimportant.

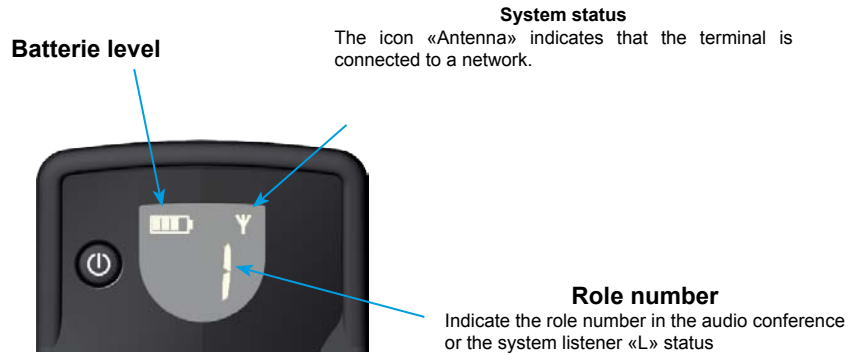
Note 2: If the purpose of the operation is solely to charge the terminals, then there is no need for the configurator.



1. Vokkero® Squadra terminal

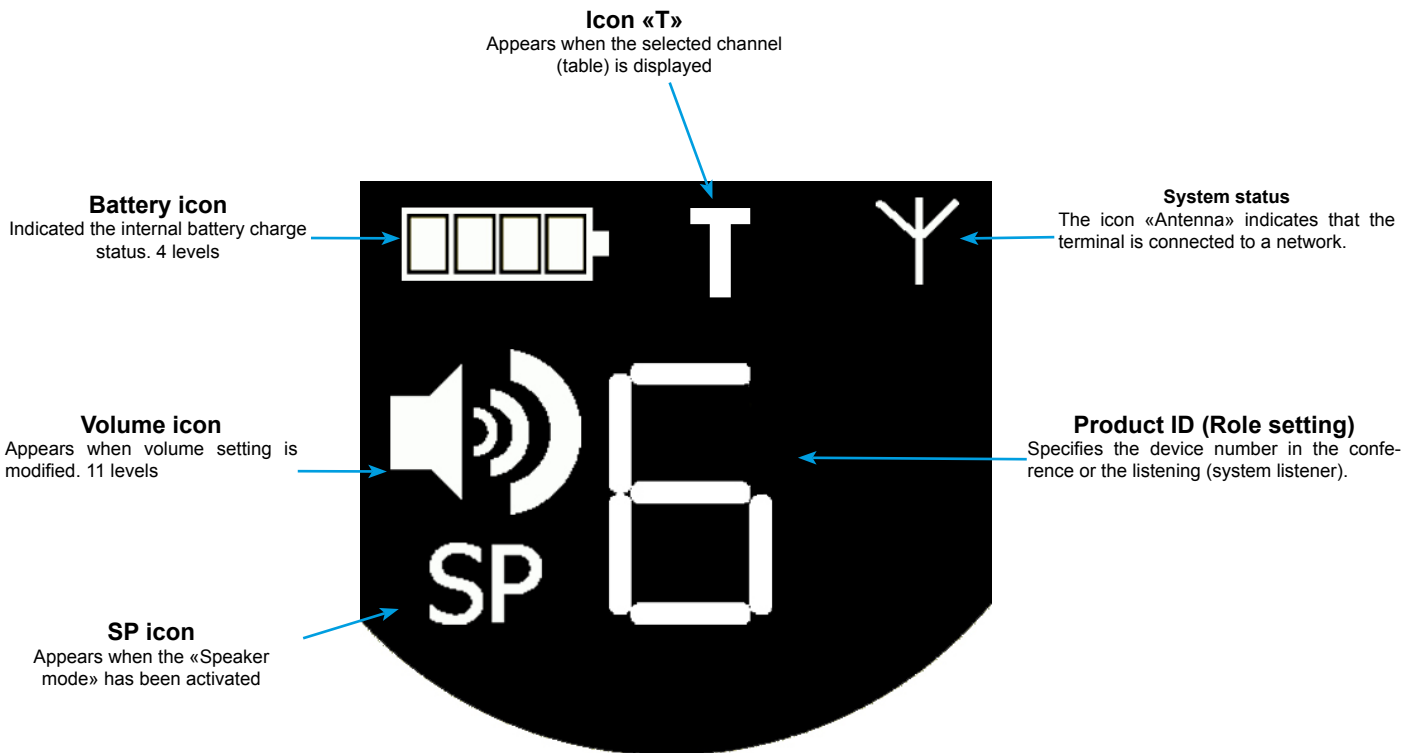
1.1. Description of the screen icons (default settings)

The screen displays key information for the user when using his or her terminal.



1.2. Description of all the screen icons

The terminal's screen can display all sorts of information, as described below:



1.3. Description of the terminal's keys



1.4. Start-up of the terminal – Important information

Before starting up your terminal, make sure that it has been properly charged using the dedicated charger.

- To switch on the device, press the On/Off key and keep pressing it until it starts up, and then release the key.
- To switch off the device, press the On/Off key and keep pressing it until it is turned off.



Note 1: All the parameters, including the volume setting, are retained when you switch off the device and they remain the same when you switch the device back on.

Note 2: The terminal automatically places itself in the power-saving mode after a few seconds if it is not being used. This mechanism places the terminal's LCD screen on stand-by. To wake up the LCD screen, press any key on the terminal.

1.5. Setting up the headset

The headset supplied with the Vokkero® Squadra kit must be connected to the socket located at the base of the terminal. Check that the connector is well installed in the housing and secure the connexion by pushing strongly on the connector. A poor connection may cause audio quality problems, or the impossibility to hear and / or listen.

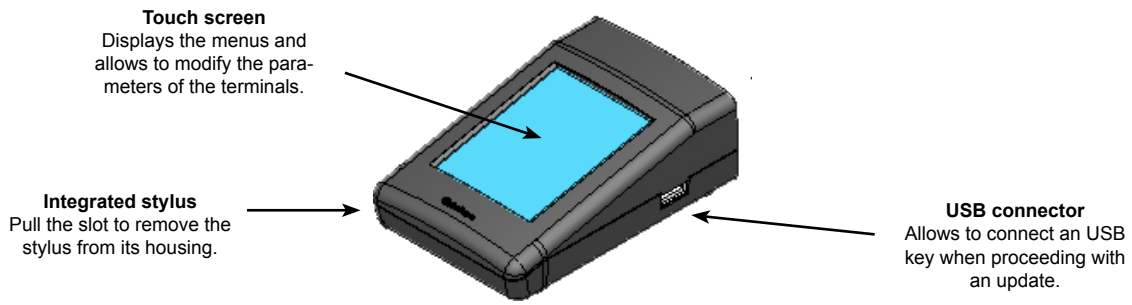


2. Description of the configurator

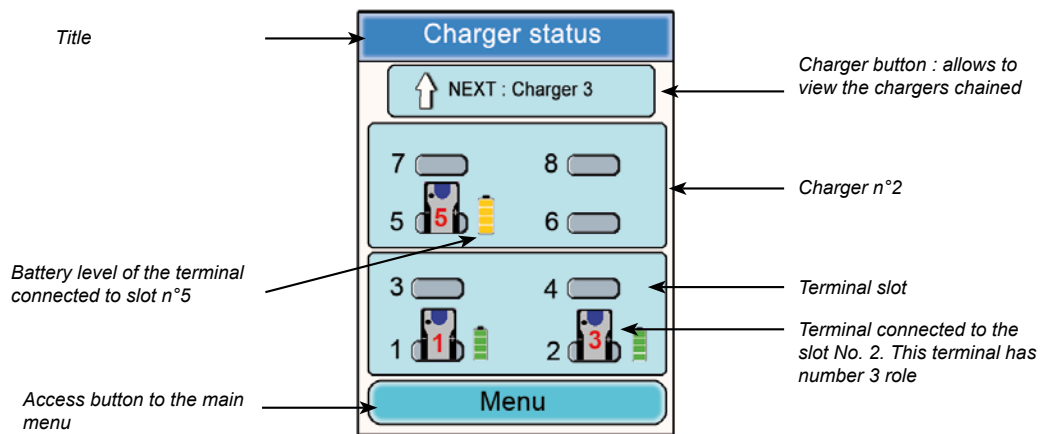
The configurator does not have a connector enabling it to be powered directly, and it does not have an On/Off switch either. To start it up, the configurator must be connected to one or more chargers. These must be powered from the mains via the specific power supply unit supplied with the Vokkero® Squadra kit. The configurator is equipped with a USB socket for updates, as well as a stylus which enables the touch screen to be used.

When the system is started up, the configurator displays the Vokkero logo, and then the home screen.

2.1. Configurator



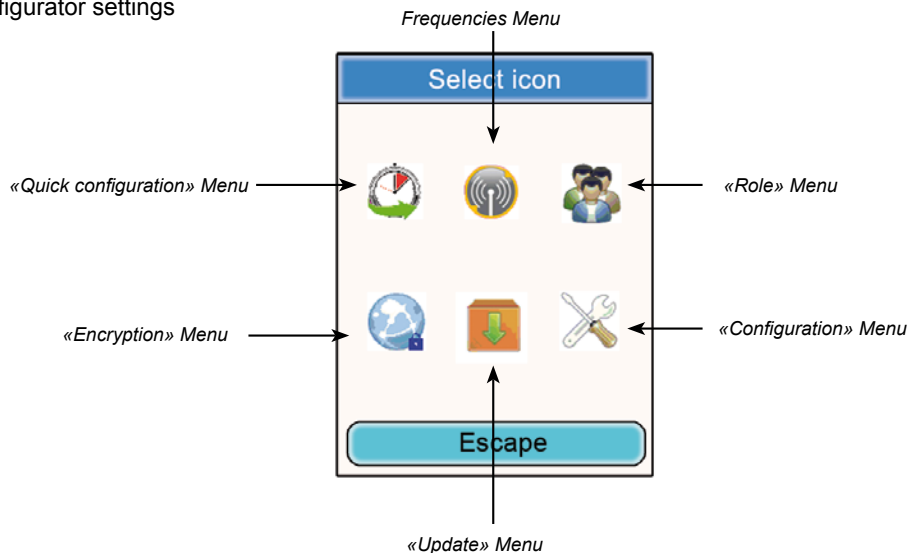
2.2. Description of the home screen



2.3. Main Menu

The main menu, which can be accessed via the home screen's "Menu" button, gives access to 6 sub-menus:

- Quick configuration
- Frequencies
- Role
- Encryption
- Update
- Configurator settings

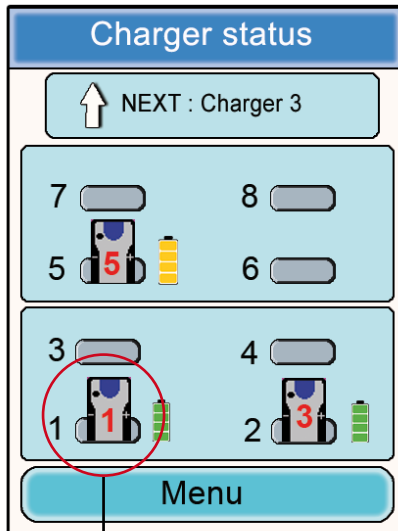


2.4. Viewing and modifying a terminal's parameters

You can view a terminal's parameters from the configurator's home screen.

Procedure:

- Using the stylus, click on a terminal.
- A window providing the terminal's information will appear.
- Click on the «Modify» button to access to the parameters
- Click on the "Escape" button in order to return to the home screen.



Information on terminal n°1

- Role : role number of the terminal in the audio conference.
- Table : frequency table used.
- Encryption : On or Off.
- Sidetone : selected value.
- Speaker mode : On or Off
- Listening selection : All (listen at all the terminals) or Custom (selecting listening).
- Battery : status (charging or charged).
- Version : terminal software versions.

3. Automatic configuration of a Vokkero® Squadra system

Quick Configuration menu

Principle: the Quick Configuration menu makes it possible to very quickly configure all of the terminals connected to the charger(s). The parameters required for operating the system (the encryption and the role number) are managed automatically. The communication channel (table) selection (radio frequency) remains manual. Note : the Quick configuration mode does not modify the terminal parameters such as the volume, the sidetone level or the listening selection.

3.1. FHSS tables / Channel setting

IMPORTANT: Before using the device, please observe the legal provisions in force in your country.

In this 915 MHz FHSS version, Vokkero Squadra is transmitting in frequency hopping mode. You can set the terminal with 6 different tables of channels

There are different groups of frequencies table available depending on when and where the system will be used :

«**US tables**» : can be used in North America (USA/Canada) and most of the Central and South American countries.

Table ID	Frequencies
US1	27 channels within the 902.9MHz to 927MHz band
US2	25 channels within the 906.6MHz to 927.7MHz band
US3	26 channels within the 902.3MHz to 925MHz band
US4	25 channels within the 902.3MHz to 926.7MHz band
US5	26 channels within the 902.3MHz to 927.7MHz band
US6	Reserved for test purposes

3.2. Selecting a table (channels)

Procedure:

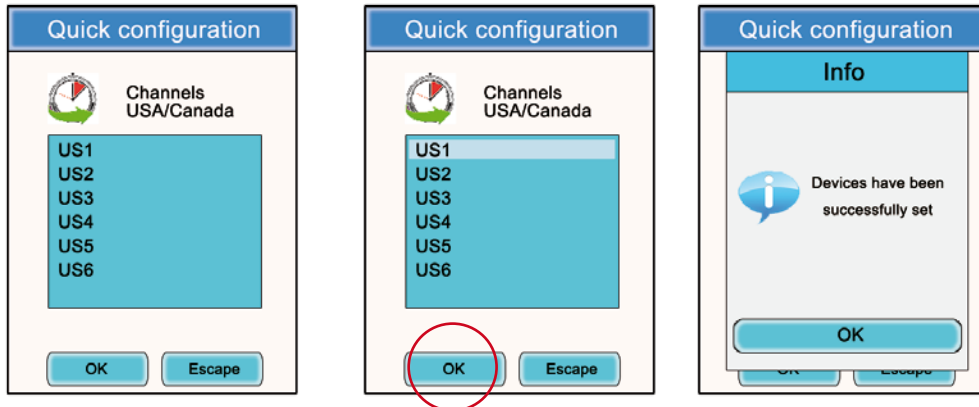
- In the main menu, click on the “Quick configuration” icon.
- A window will open, enabling the communication channel to be selected.
- Using the stylus, select the communication channel by clicking on it.
- Click on the “OK” button in order to validate it, or on “Escape” in order to exit from the sub-menu.

When the “OK” button has been clicked on, a window will appear confirming that the operation has been duly completed.

- Click on “OK” to return to the home screen.

The terminals can be removed from the charger(s) and be used.

Note: when the terminals are removed from the charger, they switch off automatically, you must switch them on to use them.



4. Manual parameterisation of a Vokkero® Squadra system

In the case of manual parameterisation of the Vokkero® Squadra system, in order to set up a conference, you need to carry out the following operations:

- Define the radio channel (table) that will be used for the communications (Frequencies menu).
- Give each device a different number (Role menu).
- Pair up the devices in conference mode (Encryption menu).

4.1. Frequencies menu

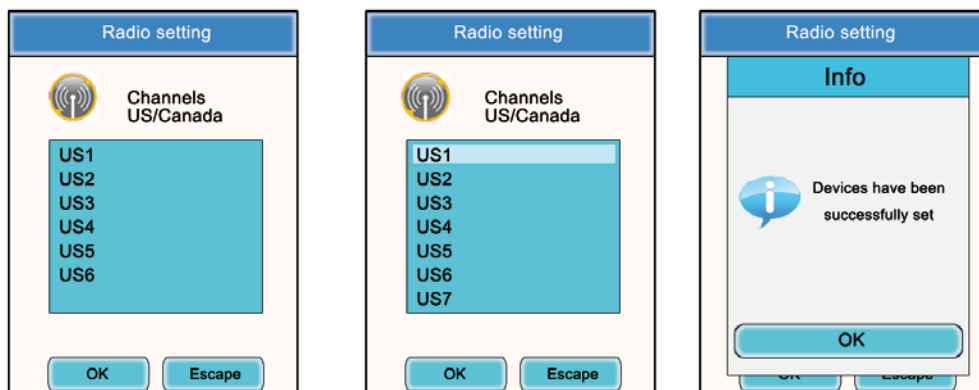
4.1.1. Manual selection of a channel

Procedure:

- In the main menu, click on the Frequencies icon.
- A window will open, enabling the communication channel to be selected.
- Using the stylus, select the communication channel by clicking on it.
- Click on the “OK” button in order to validate it, or on “Escape” in order to exit from the sub-menu.

When the “OK” button has been clicked on, a window will appear confirming that the operation has been duly completed.

- Click on “OK” to return to the home screen.



4.2. Assigning a number to a system (Role menu)

To set up a conference, firstly you have to identify all the devices that will be taking part and give them a number (role). A conference may be established between 2 to 6 devices «Open mic», which will be identified by a number ranging from 1 to 6.

Note 1: One of the devices absolutely must have the number 1.

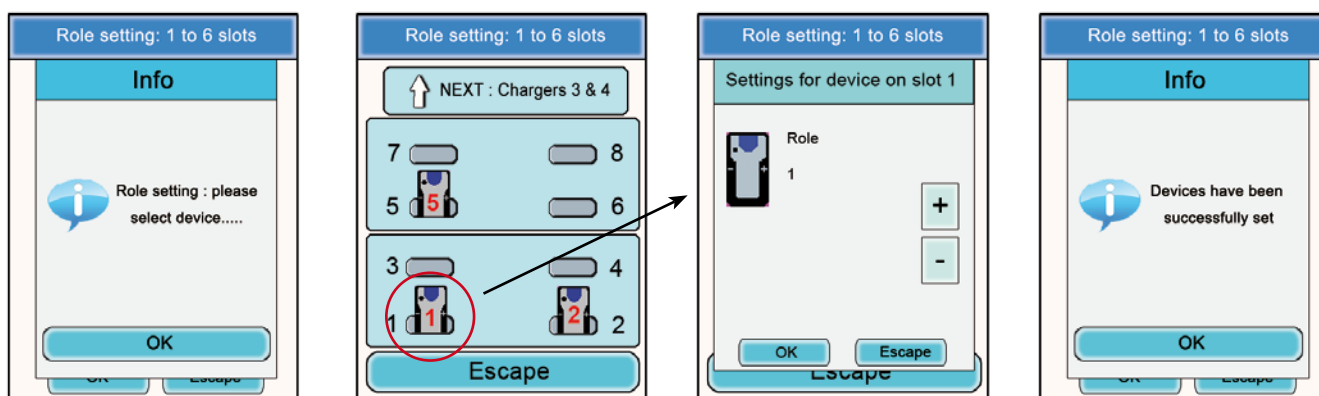
Note 2: Do not assign the same number to several devices working in «open mic», as this will prevent the conference from running smoothly.

Procedure:

- In the main menu, click on the “Role” icon.
- A window will open, asking you to select the terminal that a role number must be assigned to. Click on the “OK” button.
- Using the stylus, select the communication channel by clicking on it.
- A window will open, in which the terminal selected will be displayed.
- Using the “+” and “-” buttons, modify the role number (from 1 to 6 or “Listener” for a listening-only mode).
- Once the number has been selected, click on the “OK” button in order to validate it, or on “Escape” in order to exit from the sub-menu.

When the “OK” button has been clicked on, a window will appear confirming that the operation has been duly completed.

- Click on “OK” to return to the home screen.



4.3. Setting the systems in conference mode (encryption procedure)

Principle: In order to communicate in secure mode, the devices must save an encryption key provided by the configurator.

This operation is required in order to enable all the devices to take part in a conference in secure mode.

IMPORTANT NOTE

In encrypted (secure) mode, a device cannot communicate with a system if the encryption procedure has not been carried out. If you want to add a terminal to an existing system, you absolutely must carry out this procedure with all the system’s devices (including devices configured in Listener mode).

Make sure that each of the following criteria are fulfilled before starting the operation:

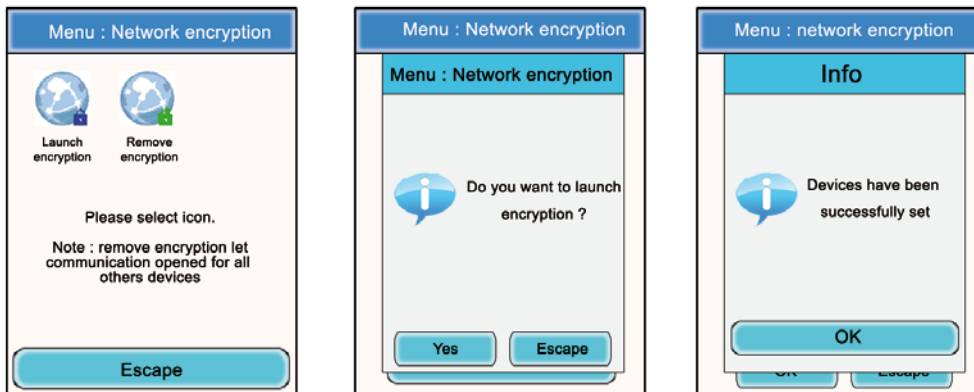
- All the devices must use the same channel.
- Only one device should have the ID 1.

Procedure:

- In the main menu, click on the Encryption icon.
- The Network Encryption sub-menu will appear and enable you to select two types of procedures: Launch Encryption and Remove Encryption. Click on the “Launch Encryption” icon.
- A window will open and ask you to confirm the launching of this procedure.
- Click on “Yes”.

When the “Yes” button has been clicked on, a window will appear confirming that the operation has been duly completed.

- Click on “OK” to return to the Encryption menu.
- Click on “Escape” to return to the home screen.



The Encryption sub-menu also makes it possible to cancel an encryption procedure previously carried out on the system.

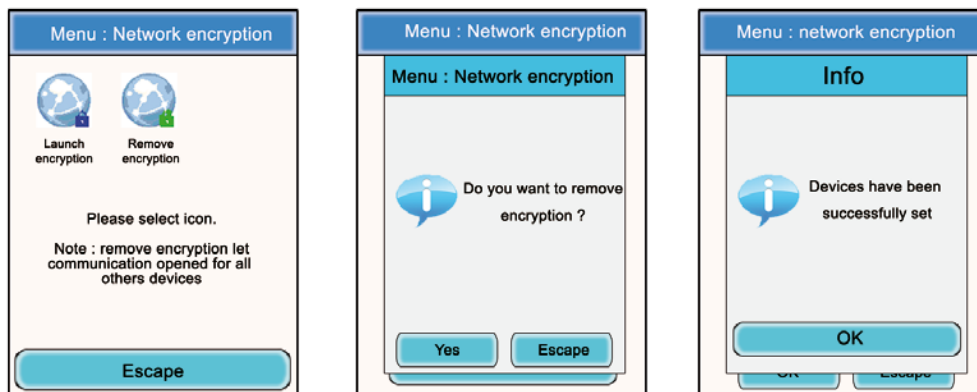
This option may be useful when other Vokkero® Squadra terminals want to integrate the conference without having the means of being parameterised by the configurator.

In this case, the act of cancelling the encryption procedure will make it possible to leave the channel used by the system “open” and the other terminals will be able to participate in the conference (provided that they are all operating on the same communication channel).

- In the main menu, click on the Encryption icon.
- The Network Encryption sub-menu will appear and enables two types of procedures to be selected: Launch Encryption and Remove Encryption. Click on the Remove Encryption icon.
- A window will open and request confirmation of the launch of this procedure.
- Click on “Yes”.

When the “Yes” button has been clicked on, a window will appear confirming that the operation has been duly completed.

- Click on “OK” to return to the Encryption sub-menu.
- Click on “Escape” to return to the home screen.



Once these three stages (Frequency, Role, Encryption) have been completed, you can use your Vokkero® Squadra communication system.

5. Other sub-menus

5.1. The Update menu

The Update menu makes it possible to carry out updates of the terminals and the configurator. In the event of a new software version being made available (supplied by Adeunis RF), you will receive the software via e-mail (or it will be available from the Web site) which you will have to load onto a USB key. This key will have to be connected to the configurator via the USB port provided for that purpose.

Procedure: terminals upgrade

- In the main menu, click on the Update icon.
- A window will open that will ask you to select which item you want to update : TERMINAL or CONFIGURATOR.
- Using the stylus, select the item by clicking on it.
- Press the "Select" button
- A «warning» window appears mentioning that the terminals must remain plugged on the charger during the procedure.
- Press OK
- The uploading procedure is launched and can run during several minutes.
- When the upload has been successfully executed, an info is displayed. Press OK.
- A final window, summarizing the uploading process is displayed. Press Ok to return to the main menu screen.



To proceed with the upgrade of the configurator, follow the same procedure and choose «CONFIGURATOR» into the first display.

- When the upload is launched, the LCD display of the configurator becomes black.
- When the upload has been successfully done, the Configurator is restarting and shows the home screen.

5.2. The Configuration menu

The Configuration menu makes it possible to gain access to several settings parameters:

- **Device option:** Makes it possible to configure the terminal's optional functions.
- **Advanced Settings:** Makes it possible to gain access to the terminal's audio settings.
- **Admin Settings:** Inaccessible – Reserved for factory settings.
- **Configurator Settings:** These only relate to the configurator's LCD screen.

5.2.1. Options

This menu makes it possible to gain access to three types of optional functions: Sidetone, Speaker Mode, and Listening Selection.

5.2.2. Sidetone

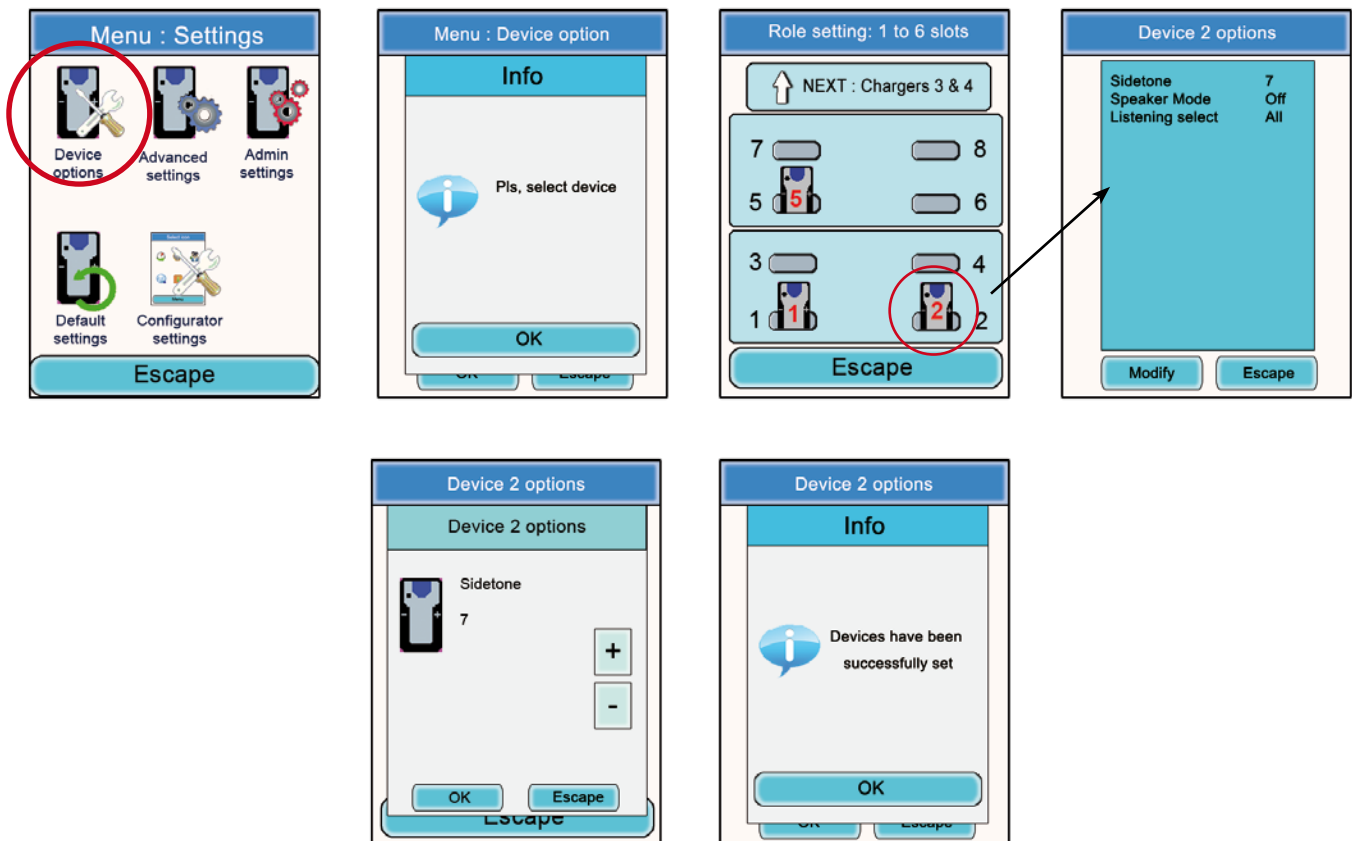
The Sidetone mode enables you to adjust the audio return level (enabling you to listen to your own voice) in your headset (or earphone) speakers: 7 volume levels + the Mute mode are accessible.

Procedure:

- In the main menu, click on the Configuration icon.
- The Configuration sub-menu will appear. Click on "Options".
- A window will open and ask you to select a terminal. Click on "OK".
- Select a terminal by clicking on it.
- A window relating to the terminal's options will appear.
- Select "Sidetone" and click on the "Modify" button.
- A window will open in which the terminal selected will be displayed.
- Using the "+" and "-" buttons, adjust the Sidetone level (from 1 to 7 or Mute).
- Once the value has been selected, click on the "OK" button in order to validate it, or on "Escape" in order to exit from the sub-menu.

When the "OK" button has been clicked on, a window will appear confirming that the operation has been duly completed.

- Click on "OK" and then on "Escape" to return to the home screen.



5.2.3. Speaker mode

The Speaker Mode option enables use of one of the Vokkero® Squadra terminals as a “relay” to a PA system (or in other words an audio system enabling public address messages). This system is frequently used by referees and umpires in certain sports when they have to announce their decisions.

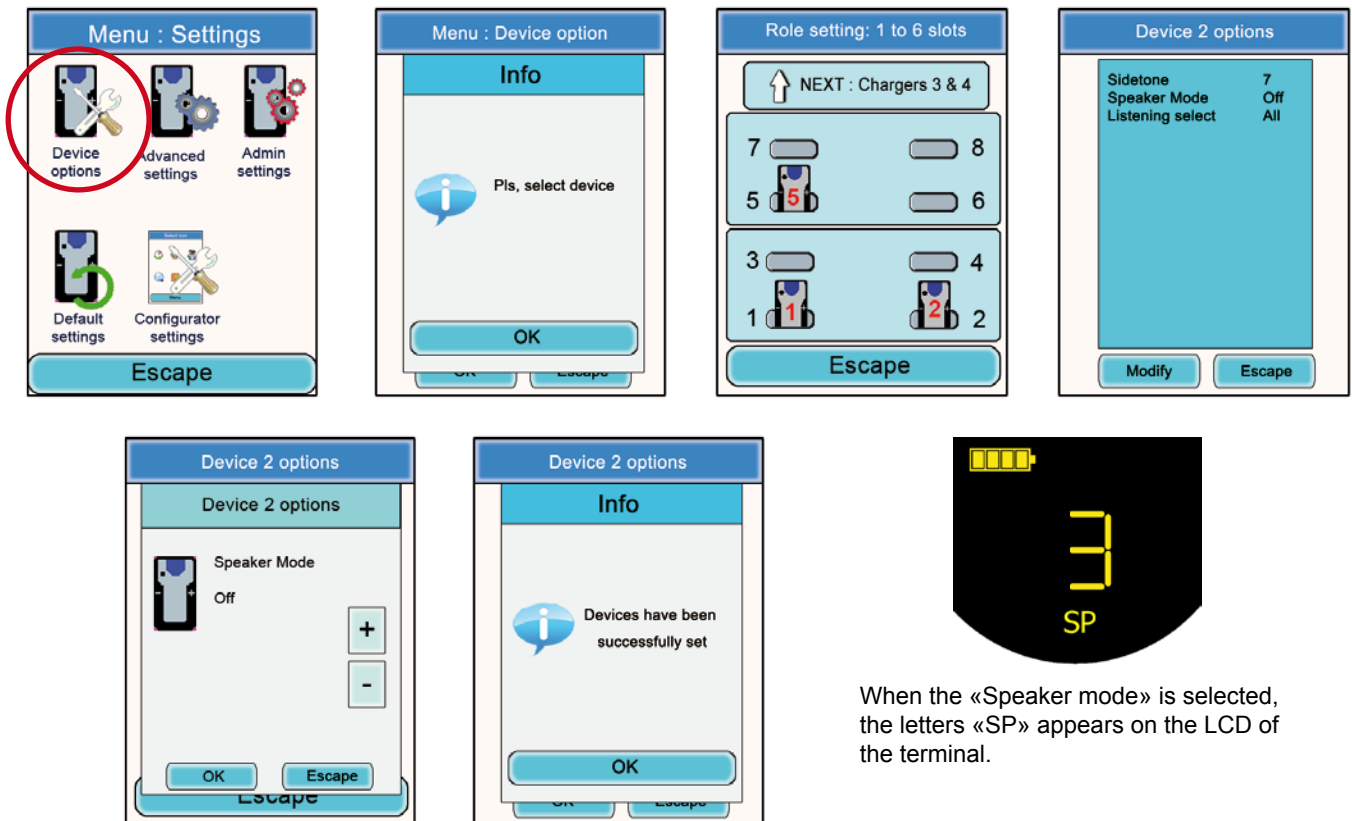
Note: This option can only be used when the accessory dedicated to it (a specific push-button) is used.

Procedure:

- In the main menu, click on the Configuration icon.
- The Configuration sub-menu will appear. Click on “Options”.
- A window will open and you will be asked to select a terminal. Click on “OK”.
- Select a terminal by clicking on it.
- A window relating to the terminal’s options will appear.
- Select “Speaker mode” and click on the “Modify” button.
- A window will open in which the terminal selected will be displayed.
- Using the “+” and “-” buttons, select “Off” or “On”
- Once the value has been selected, click on the “OK” button in order to validate it, or on “Escape” in order to exit from the sub-menu.

When the “OK” button has been clicked on, a window will appear confirming that the operation has been duly completed.

- Click on “OK” and then on “Escape” to return to the home screen.



When the «Speaker mode» is selected, the letters «SP» appears on the LCD of the terminal.

5.2.4. Listening Selection

For each device (in Conference or Listener mode) , it is possible to select what device you want to listen to. The default setting is for all devices to be selected.

Procedure:

- In the main menu, click on the Configuration icon.
- The Configuration sub-menu will appear. Click on “Options”.
- A window will open and you will be asked to select a terminal. Click on “OK”.
- Select a terminal by clicking on it.
- A window relating to the terminal’s options will appear.

- Select “Listening select” and click on the “Modify” button.
Note: If the listening selection has already been modified, the word “Custom” will appear opposite the option. If all the terminals are being listened to, “All” will appear opposite the option.

- A window will open in which all the terminals will appear. If the terminals are being listened to, a green abbreviation will precede their numbers. If the terminals are not being listened to, a red cross will precede their names.
- Using the stylus, select the terminals that should or should not be listened to.
- Once the selection has been made, click on the “OK” button in order to validate it, or on “Escape” in order to exit from the sub-menu.

When the “OK” button has been clicked on, a window will appear confirming that the operation has been duly completed.

- Click on “OK” and then on “Escape” to return to the home screen.



5.3. Advanced Settings menu

Be aware of the fact that this menu is only intended for certain types of users (telecommunications equipment pool managers, distributors, after-sales service technicians, etc.). Consequently, access to this menu requires an access code available on demand from Adeunis RF.

The Advanced Settings menu enables access to four sub-menus:

- **Mic. settings**
- **Gain-dB ADC mic**
- **Gain-dB DAC speaker**
- **AEC: Anti-echo**

Principle:

The Vokkero® Squadra terminal has a function for detecting and automatically adjusting accessories, which makes it possible to use numerous types of headsets and earpieces.

For automatic parameterisation, select “Automatic” from the Mic. Settings sub-menu; for manual parameterisation, select “Manual”.

If the Manual mode is selected, you have the possibility of manually selecting the mic gain value, the speaker gain, and the anti-echo.

- Mic Gain Values: 20 to -30.
- Speaker Gain Values: 20 to -42.
- Anti-echo values (AEC settings): 0 to 3.

IMPORTANT: Modifying values can greatly reduce the audio quality of your equipment if it is not carried out carefully.

Procedure common to the Advanced Settings menu:

- In the main menu, click on the Configuration icon.
- The Configuration sub-menu will appear. Click on “Advanced Settings”.
- A window will open and you will be asked to enter a PIN code.
- Once the code has been entered, another window will open and will ask you to select a terminal. Click on “OK”.
- Select a terminal by clicking on it.
- A window relating to the terminal’s advanced functions will appear.
- Select a function and click on the “Modify” button.
- A window will open in which the terminal selected will be displayed.
- Using the “+” and “-” buttons, modify the function selected.
- Once the value has been selected, click on the “OK” button in order to validate it, or on “Escape” in order to exit from the sub-menu.

When the “OK” button has been clicked on, a window will appear confirming that the operation has been duly completed.

- Click on “OK” and then on “Escape” to return to the home screen.



5.4. Admin Settings menu

This menu is reserved for factory settings and cannot be accessed by users.

5.5. Default settings

This menu allows to restore factory settings to all terminals plugged on the configurator.

Procedure :

- In the main menu, click on the Configuration icon.
- The Configuration sub-menu will appear. Click on “Default Settings”.
- A warning window is asking for a confirmation.
- Click on «OK» icon to restore factory settings.



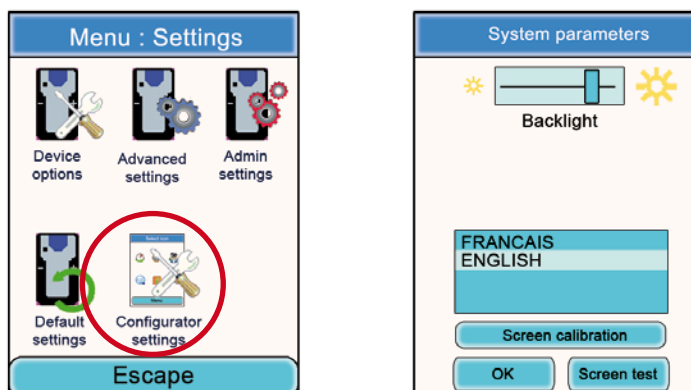
5.6. Configurator Settings menu

This menu provides access to settings specific to the configurator. Three parameters are adjustable:

- **LCD screen backlight**
- **Language of the configurator: French or English**
- **LCD screen calibration**

Procedure:

- In the main menu, click on the Configuration icon.
- The Configuration sub-menu will appear. Click on “Configurator Settings”.
- A window relating to the modifiable parameters of the configurator’s LCD screen will appear.
- Using the stylus, modify the parameters desired and then click on “OK” in order to validate them and return to the screen saver.



6. Functions directly accessible via the terminal

6.1. Adjusting the listening volume

The listening volume setting can be accessed directly via the Vokkero® Squadra terminal. There are 11 adjustable volume levels, ranging from a value of 0 to 10.

NB: The values 9 and 10 must be used with care, and only in very noisy environments.

Procedure:

- When using your terminal, use the “+” and “-” keys located on each side of your terminal in order to adjust the listening volume level of your earpiece.
- The current level as well as the Speaker icon will be displayed on the terminal’s screen.

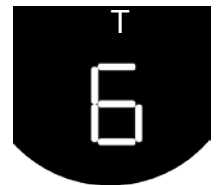


6.2. Viewing the communication channel used

The channel used by the Vokkero® Squadra terminal can be viewed on its LCD screen.

Procedure:

- Simultaneously press the terminal’s “+” and “-” keys for 3 seconds.
- The channel will be displayed as well as the abbreviation “T” followed by the table number. After 5 seconds, the LCD will automatically return to the screen saver.



6.3. Viewing the terminals connected to the network

It is possible to view all of the terminals connected to the network created in such a way as to ensure that all the parties involved are indeed at the conference.

Procedure:

- Simultaneously press the terminal’s “+” and “-” keys for 3 seconds.
- When the channel is displayed, press the “+” key once.
- Your terminal’s screen will then display all of the terminals connected to the network, as well as the Antenna icon.
- When all the terminals have been displayed, the LCD will automatically return to the screen saver.



6.4. Modifying the role number

In order to operate correctly, the audio conference absolutely must have a terminal whose role number is “1”.

If this terminal falls off-line (for example, due to a power supply problem or an operating fault), the conference will no longer be possible. The “role number modification” function enables this situation to be overcome by making it possible to modify a terminal’s role number by assigning it Role No. 1.

NB: This function should only be used if the terminal that has role No. 1 is no longer functioning and the configurator is not accessible!

Procedure:

- Simultaneously press the terminal’s “+” and “-” keys for 3 seconds.
- When the channel is displayed, press the “+” key twice.
- Your terminal’s screen will then display the number “1” flashing on and off.
- In order to confirm the terminal’s shift to role 1, press the terminal’s “On/Off” key.
- After confirmation, the LCD will return to the home screen.

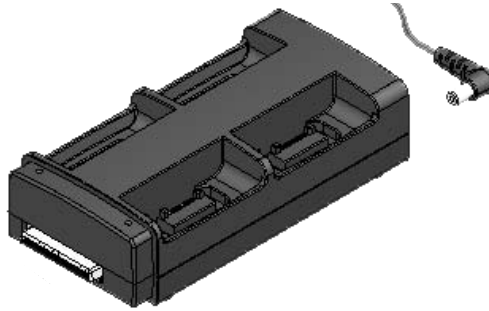


7. The charger

The Vokkero® Squadra charger is a straightforward product that enables the terminals' internal batteries to be recharged and enables the configurator to be powered.

Up to 3 chargers may be placed in series, thus enabling the simultaneous charging of 12 terminals.

A single power supply unit is required for powering the chargers in series and the configurator. Make sure you use the power supply unit supplied by Adeunis RF when your Vokkero® Squadra kit is delivered.



Note: Depending on the intended use, the ARF7675AA battery charger is delivered with a European or North American power supply cable. For the other countries (European or elsewhere) requiring a specific power supply cable, please use a mains plug that complies with local standards.

7.1. Technical specifications

AC/DC power supply converter	100 to 240 V ~ 12Vdc - 5 A-50 to 60 Hz
Operating temperature	5°C to 40°C (41°F to 104°F)
Charging time	5 hours
Dimensions	L 136 mm * H: 38 mm * D: 68 mm
Battery autonomy	> 500 cycles

7.2. Powering the charger

- Connect the power supply unit to the socket located on the back of the charger.
- Connect the power supply unit to the mains.
- The charger is ready for use.

7.3. Installing the terminals

- Place the terminals in the positions designed for that purpose (4 per charger). Insert them vertically so that you do not damage the connector.
- When the terminal is detected, charging will start. The terminal's battery icon will rise incrementally, confirming that the charging is in progress. If the relevant indicator light does not light up, check that the terminal has been correctly positioned.
- If the configurator is connected to the charger, battery icons will appear alongside each of the terminals, indicating the state of progress with the charging (cf. section 8.3.1).
- To remove the terminals from the charger, tilt them forward. **Note:** when the terminals are removed from the charger, they switch off automatically, you must switch them on to use them.

7.3.1. The meaning of the configurator's batteries icons

The recharge time is approximately 5 hours per terminal. Once the terminal's battery has been recharged, the relevant icon will light up green.

A terminal may be left on the device, even after it has been fully charged.

Meanings of the icons:

Green: Charged battery.

Orange increasing incrementally: charging in progress.

Red: Battery fault; charging has stopped.



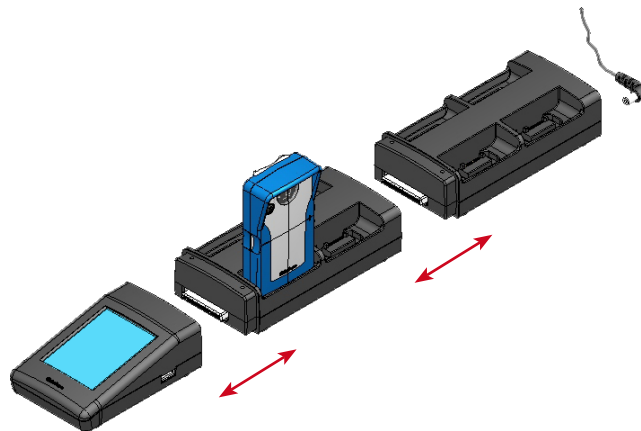
7.4. Placing the chargers and the configurator in series

Up to 3 chargers may be placed in series in such a way as to make it possible to charge up to 12 Vokkero® Squadra terminals simultaneously.

A configurator may be associated with them.

Only one power supply is necessary.

Place the chargers on a flat surface, with the front ends facing you. Bring the chargers together and position them so that their mechanical parts match up. Lock the chargers to each other by pushing them firmly against one another. Do the same for the configurator.



7.5. Warnings

- The disconnection system is the power cable, the socket-outlet shall be installed near the equipment and must be easily accessible.
- Connecting the charging ARF7675AA on an IT system is only possible in Norway.
- For Finland, «Laitte is liitettävä suojamaadoituskoskettimilla varustettuun pistorasiaan»
- For Norway: «Apparatet my tilkoples Jordet stikkontakt»
- For Sweden: «Apparatens Skall anslutas till jordat uttag»
- In the UK, the characteristic of the circuit assigned to apply is 13 A, and not 16 A.
- In Canada and the USA, the CHARACTERISTIC RATED CURRENT PROTECTION circuit chosen is 20 A.
- This charger must only be used with Vokkero® Squadra terminals. If the charger is used with any other batteries or products whatsoever, there is a risk of an explosion and serious injuries occurring.
- After use, the batteries must be disposed of at an appropriate recycling centre. They must not be thrown away to degrade in the environment.
- Do not short-circuit the batteries' contacts.
- Do not open the terminals or the batteries.
- Do not expose the batteries to temperatures exceeding 100°C (212°F).
- This device was designed for indoor use.

- The room temperature when recharging must be between 5°C (41°F) and 40 °C (104°F):
- The terminals can be powered by an external power supplies other than the dedicated Vokkero SQUADRA ,provided that these are SELV circuits and Limited Power Sources for the purposes of sections 2.2 and 2.5 standards IEC60950-1: 2005 + / A1 : 2009 and EN60950-1: 2006 + / A1: 2010 + / A11: 2009.
- This device must not be used by people (including children) whose physical, sensory or mental capacities are reduced, or by those who are not acquainted with the methods required, unless they are helped by a guardian, or someone who has already read the user instructions. Children must be watched in order to ensure that they do not play with the device.

8. Troubleshooting – FAQ

Frequently encountered problems are presented below in order to help you solve them.

I am unable to communicate with other devices.

Make sure that all the devices are operating on the same channel.

Make sure that one of the devices has the number 01 as its ID.

Check the proper connexion of your headset.

The device is unable to connect to a conference.

Make sure that the encryption operation has been carried out on each of the devices so that you can take part in the conference, especially if you have added a device since the conference started.

Do not assign the same number to several devices.

The device will not switch on.

Check that the battery is charged.

Communication is being jammed.

Another conference system must be operating in your one's vicinity. Change channels in order to avoid jamming.

Make sure that all the terminals are identified using different numbers.

I hear crackling.

The microphone in one of the devices is probably damaged. Replace it.

I can hear myself speaking – there is an echo.

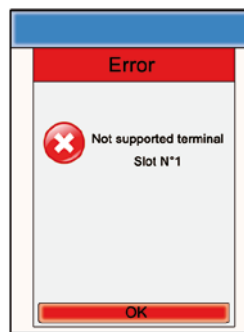
Check that the microphones in the various devices have a minimum distance of 10 metres between them.

9. Error messages



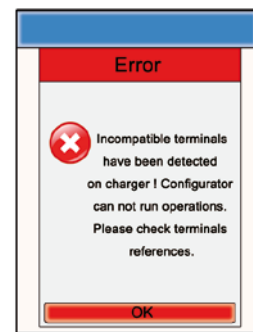
Communication error

When programming, a communication error is detected. Check that terminals are correctly installed on the charger (s).



Error - Support

The terminal set is not recognized by the configurator. Check the firmware version installed.



Error - Invalid products

Terminals installed are not the same type (eg, Europe vs US). Check the type of products installed.

Compliance to FCC US/CAN

- This device complies with part 15 of the FCC rules and Industry Canada licence-exempt RSS standard(s).
- Operation is subject to the following two conditions: (1). this device may not cause Harmful interference, and (2). this device must accept any interference received, including interference that may cause undesired operation of the device.
- However, there is no guarantee that interference will not occur in a particular installation. If this equipment does-cause harmful interference to radio or television reception, which can be determined by turning the equipment off and on, the user is encouraged to try to correct the interference by one or more of the following measures :
 - Reorient or relocate the receiving antenna.
 - Increase the separation between the equipment and receiver.
 - Connect the equipment into an outlet on a circuit different from that to which the receiver is connected.
 - Consult the dealer or an experienced radio/TV technician for help.
- CHANGES OR MODIFICATIONS NOT EXPRESSLY APPROVED BY A DEUNIS RF COULD VOID THE USER'S AUTHORITY TO OPERATE THE EQUIPMENT.

WARNING !

FCC Radiation Exposure Statement:

This portable equipment with its antenna complies with FCC's RF radiation exposure limits set forth for an uncontrolled environment. To maintain compliance follow the instructions below;

1. This transmitter must not be co-located or operating in conjunction with any other antenna or transmitter.
2. Avoid direct contact to the antenna, or keep it to a minimum while using this equipment

This device complies with RSS-210 of the Industry Canada Rules. Operation is subject to the following two conditions: (1) This device may not cause harmful interference, and (2) this device must accept any interference received, including interference that may cause undesired operation.

Ce dispositif est conforme à la norme CNR-210 d'Industrie Canada applicable aux appareils radio exempts de licence. Son fonctionnement est sujet aux deux conditions suivantes: (1) le dispositif ne doit pas produire de brouillage préjudiciable, et (2) ce dispositif doit accepter tout brouillage reçu, y compris un brouillage susceptible de provoquer un fonctionnement indésirable.

FOR PORTABLE DEVICE USAGE (<20m from body/SAR needed)

Radiation Exposure Statement:

The product comply with the Canada portable RF exposure limit set forth for an uncontrolled environment and are safe for intended operation as described in this manual. The further RF exposure reduction can be achieved if the product can be kept as far as possible from the user body or set the device to lower output power if such function is available.

Déclaration d'exposition aux radiations:

Le produit est conforme aux limites d'exposition pour les appareils portables RF pour les Etats-Unis et le Canada établies pour un environnement non contrôlé.

Le produit est sûr pour un fonctionnement tel que décrit dans ce manuel. La réduction aux expositions RF peut être augmentée si l'appareil peut être conservé aussi loin que possible du corps de l'utilisateur ou que le dispositif est réglé sur la puissance de sortie la plus faible si une telle fonction est disponible.

Identification

- FCC ID : U3Z-ARF7822
- CANADAIC : 7016A-ARF7822

Product reference :

USA/CANADA : ARF 7822AA

Authorised representative in Canada

ZEAT SPORTS

310-5253 Blvd Décarie - H3W 3C3 MONTREAL - CANADA
Phone : +1-877-750.2012