



## Appendix D. Photographs of EUT and Setup

# FCC SAR Test Report

## <Photographs of EUT>



**EUT – Front View**



**EUT – Rear View**



# FCC SAR Test Report



**Holster 1 – Front View**



**Holster 1 – Rear View**



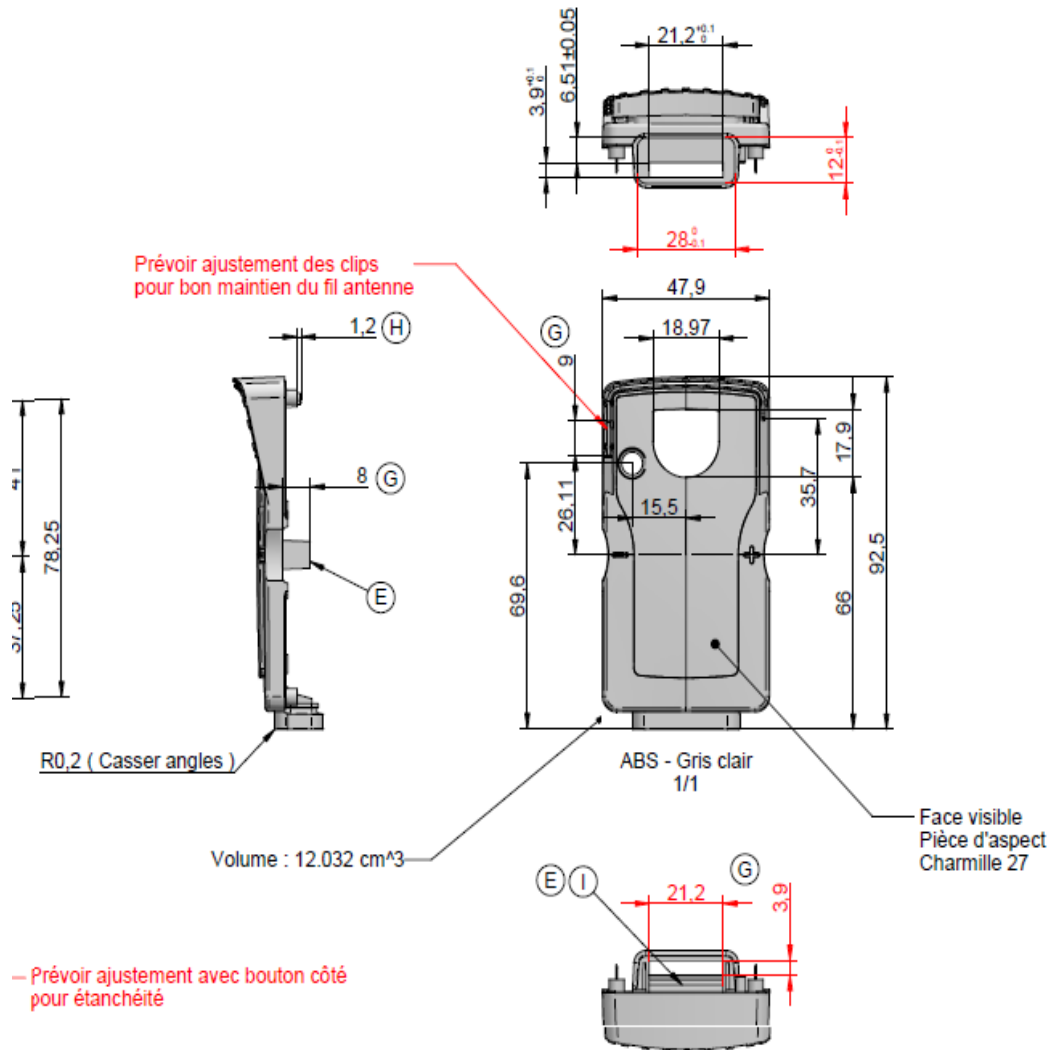
**Holster 2 – Front View**



**Holster 2 – Rear View**

# FCC SAR Test Report

## <Antenna Location>

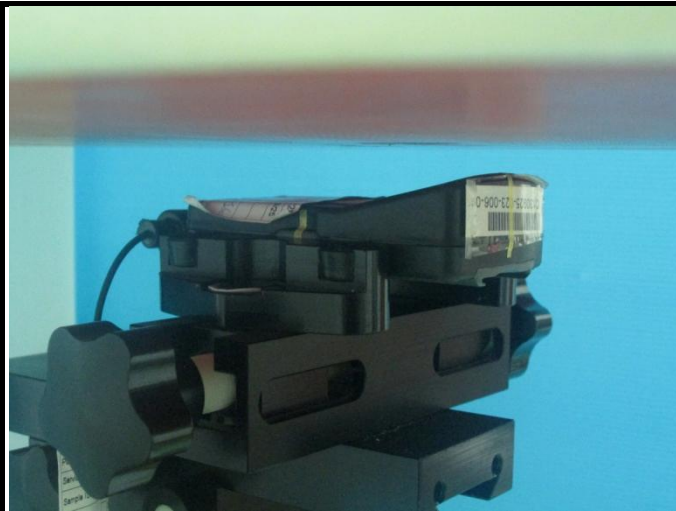


The separation distance for antenna to edge:

To Top Side (mm)	To Bottom Side (mm)	To Left Side (mm)	To Right Side (mm)
0.2	69.6	0.2	0.2

# FCC SAR Test Report

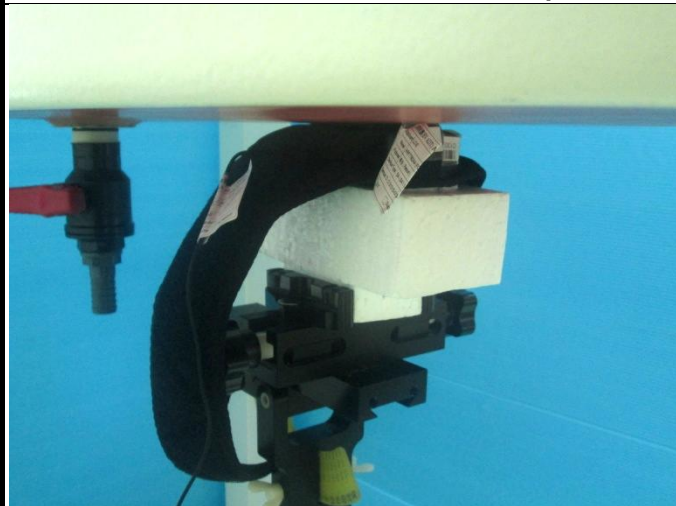
## <Photographs of SAR Setup>



Front Face of EUT with 1.5 cm Gap



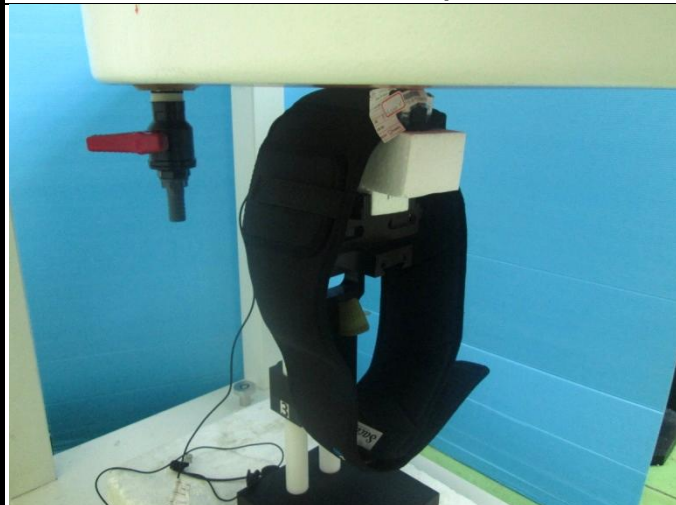
Rear Face of EUT with 1.5 cm Gap



Front Face of EUT with 0 cm Gap with Holster 1



Rear Face of EUT with 0 cm Gap with Holster 1



Front Face of EUT with 0 cm Gap with Holster 2



Rear Face of EUT with 0 cm Gap with Holster 2