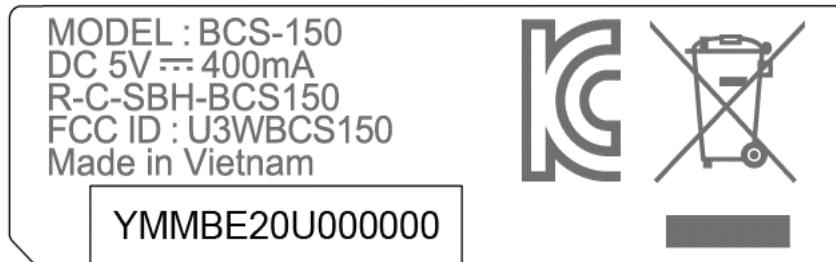
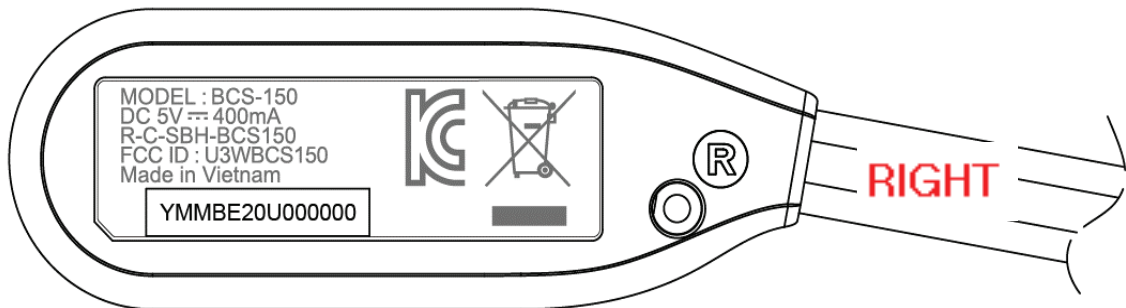
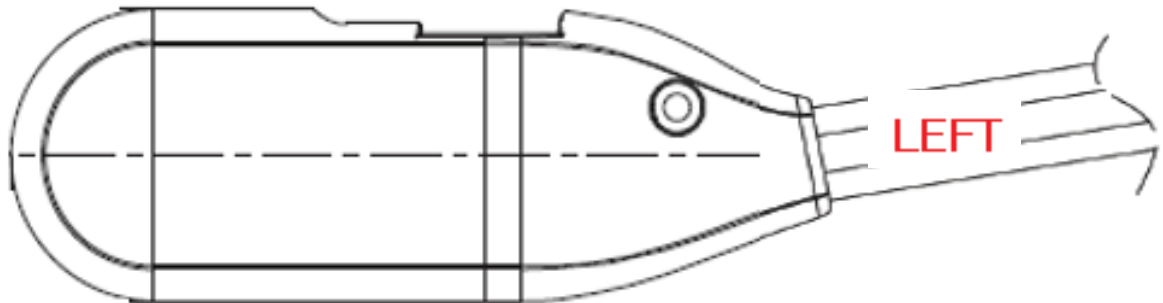


3.4. Product Label



Y : Year (8-2018, 9-2019)
MM : Month (01-Jan, 02-Feb, 03-Mar)
BE : Customer (Bluecom)
20 : Model code (Specific No.)
U : Order (K-Korea, U-US, E-EU, C-China,
V-Vietnam, S-Service, G-Global)
000000 : Serial Number (000000~999999)