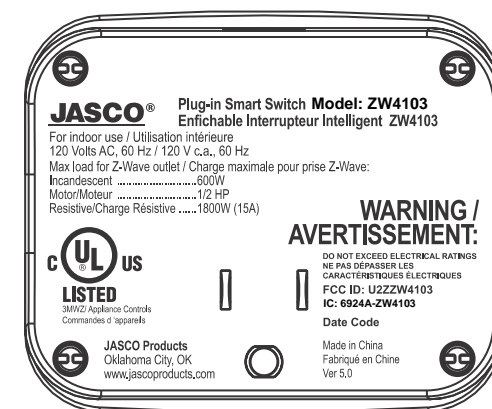
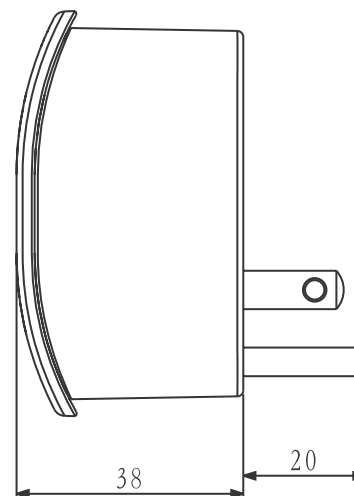
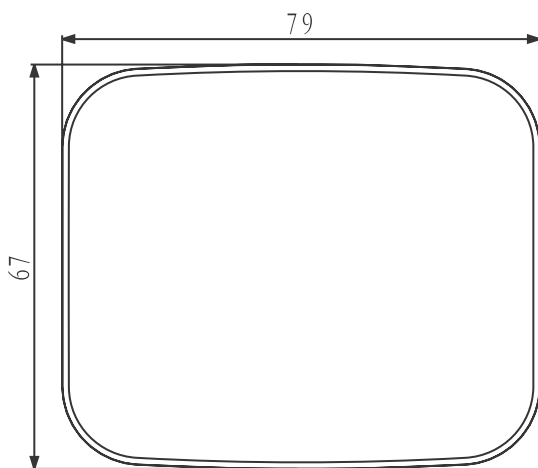
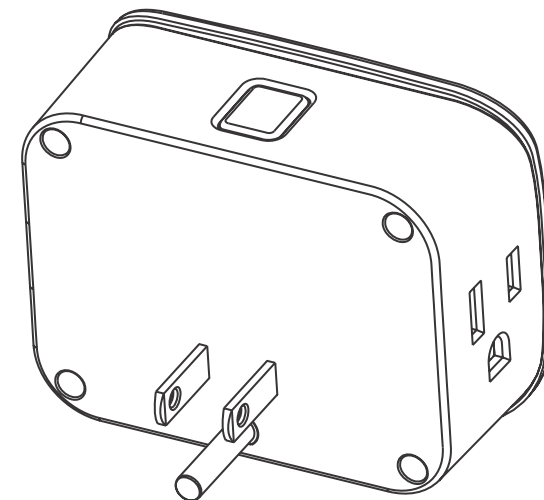
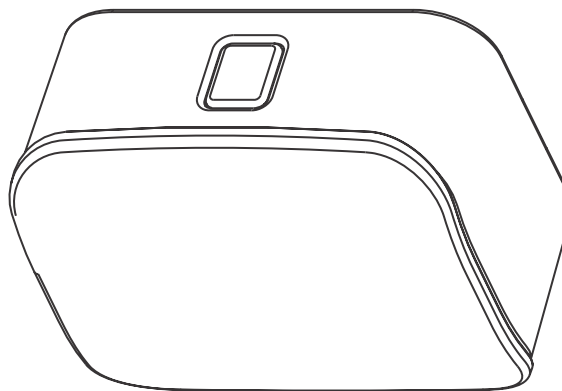
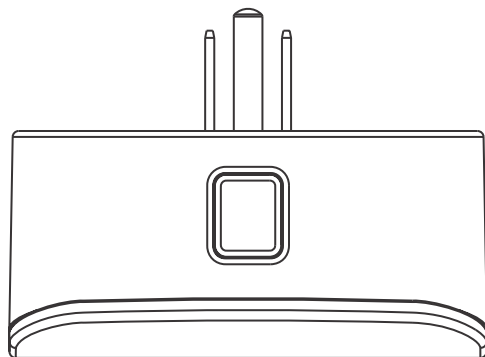


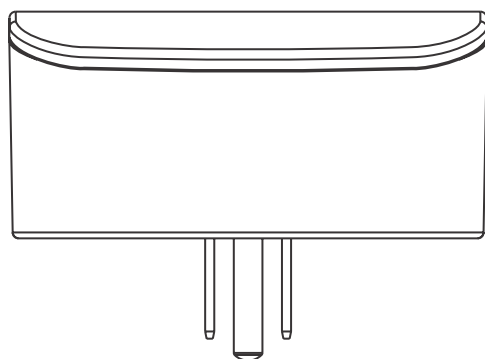
ZONE	REV	DESCRIPTION	DATE	APPROVED
	A			

Pad Printing Specification  
for Jasco Z-Wave Product  
Jasco Model no: Z4103 / 28168



Pantone (PMS430C)

Pantone (PMS430C)



If there are any changes on the art and/or dieline please let the designer know.

Job: 28168-1 Enclosure

Designer: Rachel Taylor

Last Modified: 03 / 16 / 2015

SIGN OR PDQ TYPE:

- Label
- Apron Card
- Brochure
- Flip Chart
- Product Marking

PRODUCT MANAGER:

Matt Henson

VENDOR:

CONTACT:

SPECIAL NOTES:



PRE Production APPROVED   
QC APPROVED

