

Job: 28174-1 Enclosure Art Designer: Joshua Officer

Last Modified: 04 / 13 / 2015

SIGN OR PDQ TYPE:

- Enclosure Art Flip Chart
- Apron Card ????????
- Brochure

PRODUCT MANAGER:

Matt Henson

VENDOR:

CONTACT:

Quantity: ????

SPECIAL NOTES:



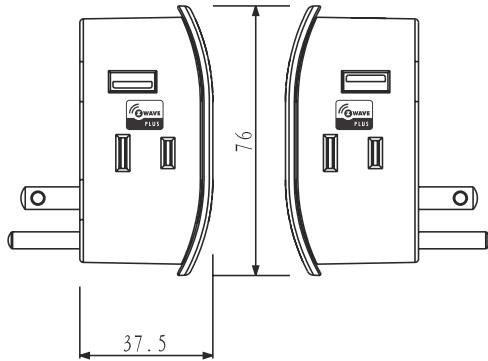
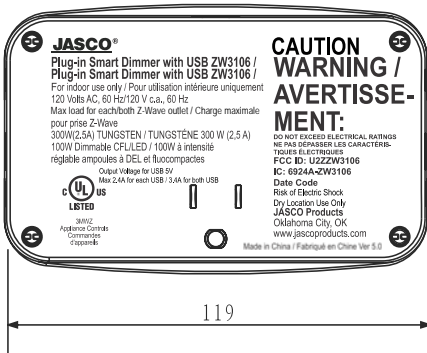
- Printing Type:
- Film
 - Offset
 - Roto

PRE Production APPROVED

QC APPROVED

JASCO®

Pad Printing Specification for Jasco Z-Wave Product
Jasco Model no: ZW3106 / 28174



Pantone (PMS430C)

Pantone (PMS430C)