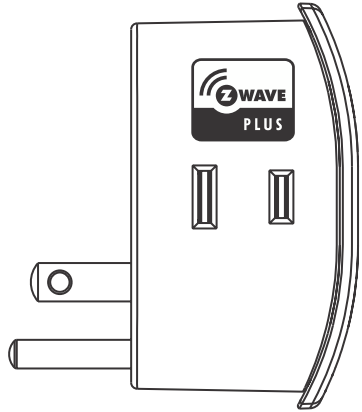
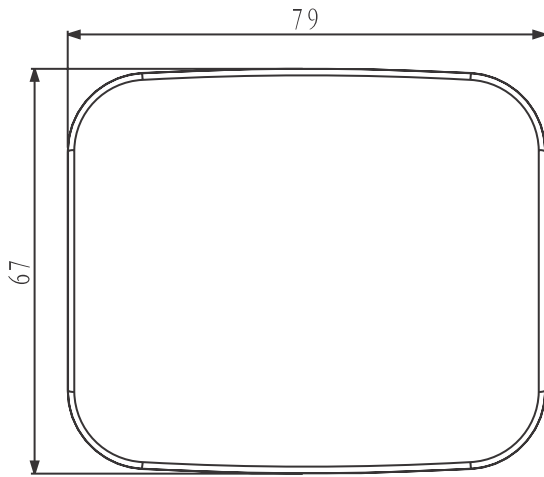
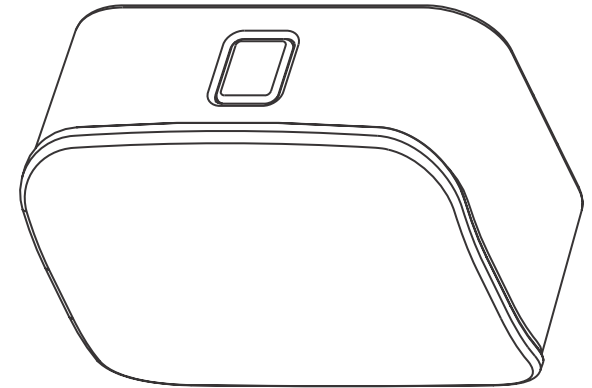
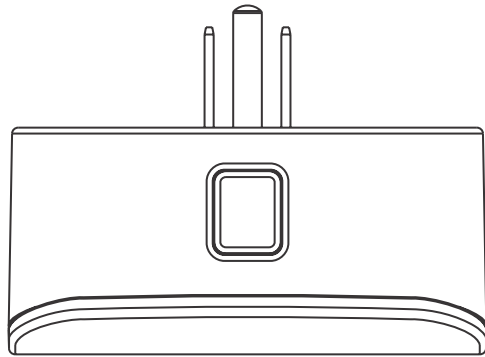
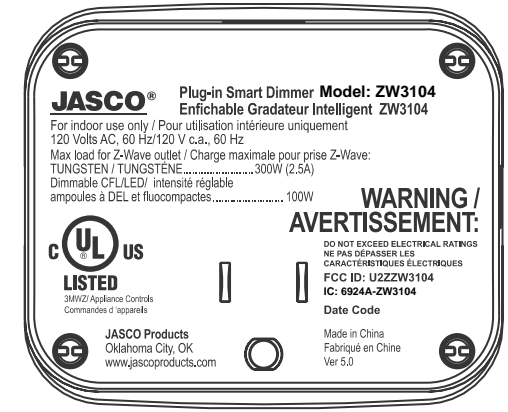
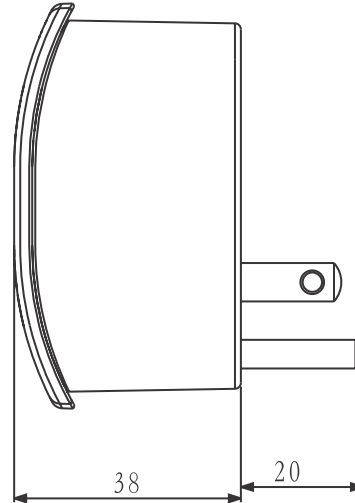


ZONE	REV	DESCRIPTION	DATE	APPROVED
	A			

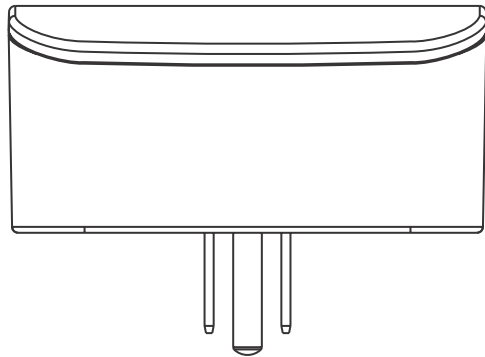
Pad Printing Specification  
for Jasco Z-Wave Product  
Jasco Model no: Z3104 / 28166



Pantone (PMS430C)



Pantone (PMS430C)



If there are any changes on the art and/or dieline please let the designer know.

Job: 28166-1 Enclosure

Designer: Rachel Taylor

Last Modified: 03 / 16 / 2015

**SIGN OR PDQ TYPE:**

- Label
- Apron Card
- Brochure
- Flip Chart
- Product Marking

**PRODUCT MANAGER:**

Matt Henson



- Printing Type:
- Flexo
  - Offset
  - Roto

**VENDOR:**

**CONTACT:**

**SPECIAL NOTES:**

PRE Production APPROVED   
QC APPROVED

**JASCO**<sup>®</sup>